



US00D382399S

United States Patent [19]

Hambleton et al.

[11] Patent Number: **Des. 382,399**

[45] Date of Patent: ****Aug. 19, 1997**

[54] **OPHTHALMIC LENS CASE**

[75] Inventors: **Robert Hambleton**, Plano; **Stephen J. Van Noy**, Forth Worth; **Yi-Ren Woo**, Flower Mound, all of Tex.

4,865,186 9/1989 Gates 206/5.1
 4,942,959 7/1990 Sauber et al. 206/5.1
 4,957,128 9/1990 Chen 206/5.1
 5,375,699 12/1994 Amend 206/5.1

[73] Assignee: **Alcon Laboratories, Inc.**, Fort Worth, Tex.

Primary Examiner—Celia Murphy
Attorney, Agent, or Firm—Jeffrey S. Schira

[**] Term: **14 Years**

[57] CLAIM

[21] Appl. No.: **55,127**

The ornamental design for an ophthalmic lens case, as shown and described.

[22] Filed: **May 30, 1996**

DESCRIPTION

[51] **LOC (6) Cl.** **03-01**
 [52] **U.S. Cl.** **D3/264; D3/263**
 [58] **Field of Search** D3/219, 263, 264,
 D3/265, 266; 206/5, 5.1; 248/902; D16/130,
 136, 330, 339

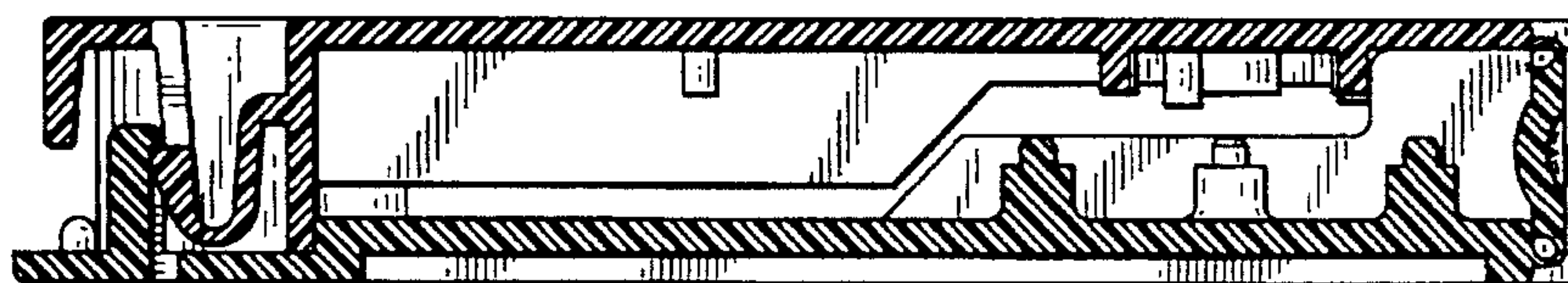
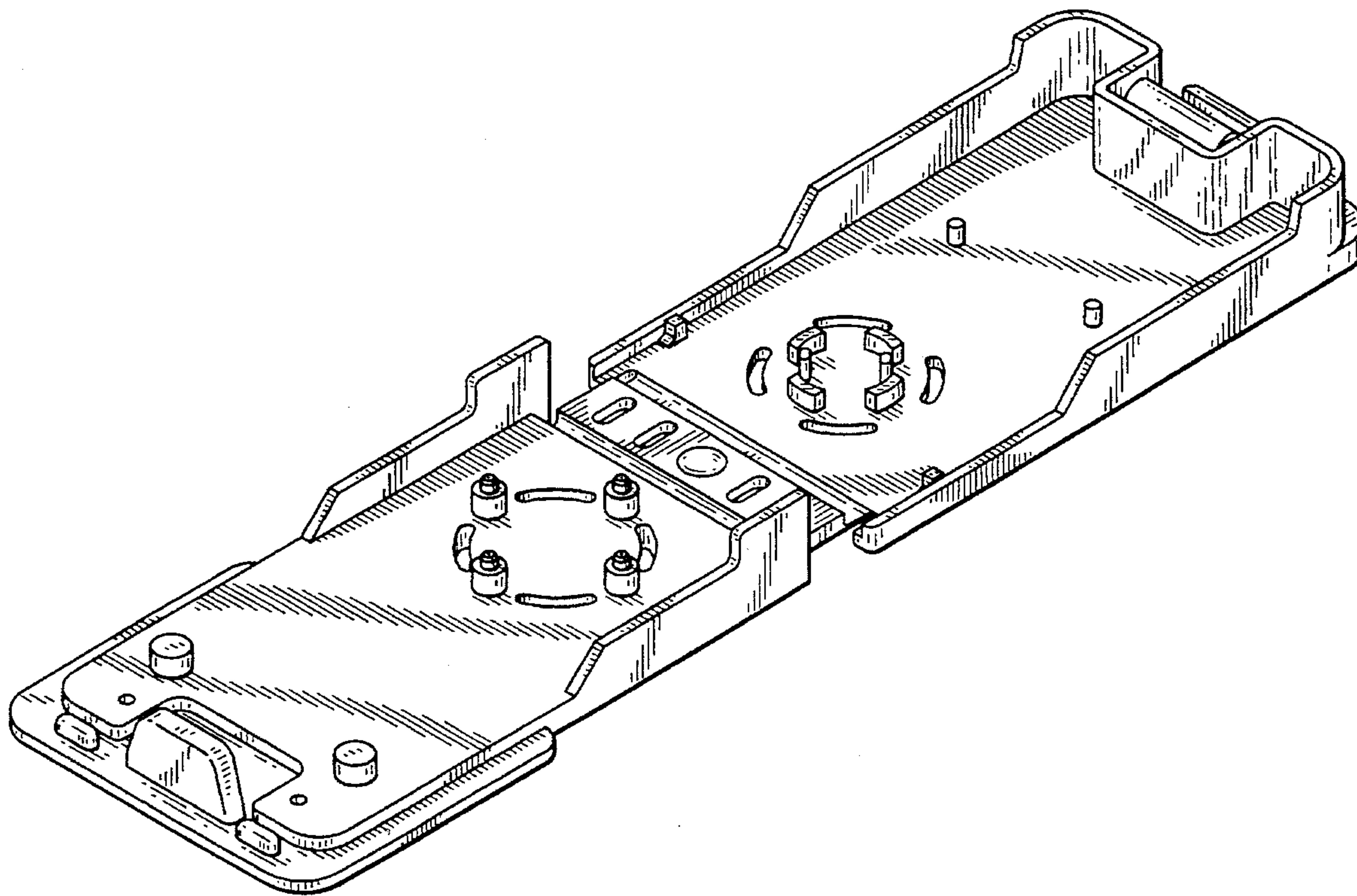
FIG. 1 is a perspective view of the present invention showing the front, top and left side;
 FIG. 2 is a top plan view of the present invention;
 FIG. 3 is a bottom plan view of the present invention;
 FIG. 4 is a right elevational view of the present invention;
 FIG. 5 is a left elevational view of the present invention;
 FIG. 6 is a front elevational view of the present invention;
 FIG. 7 is a rear elevational view of the present invention;
 FIG. 8 is a left elevational view of the present invention in the closed position; and,
 FIG. 9 is a cross sectional view of the present invention illustrated in FIG. 8.

[56] References Cited

U.S. PATENT DOCUMENTS

D. 272,297 1/1984 Thomas et al. D3/264
 D. 327,126 6/1992 Elie D16/130
 D. 334,283 3/1993 Schroth D3/263
 3,124,240 3/1964 Croan 206/5.1
 4,574,944 3/1986 Gregory 206/5.1

1 Claim, 5 Drawing Sheets



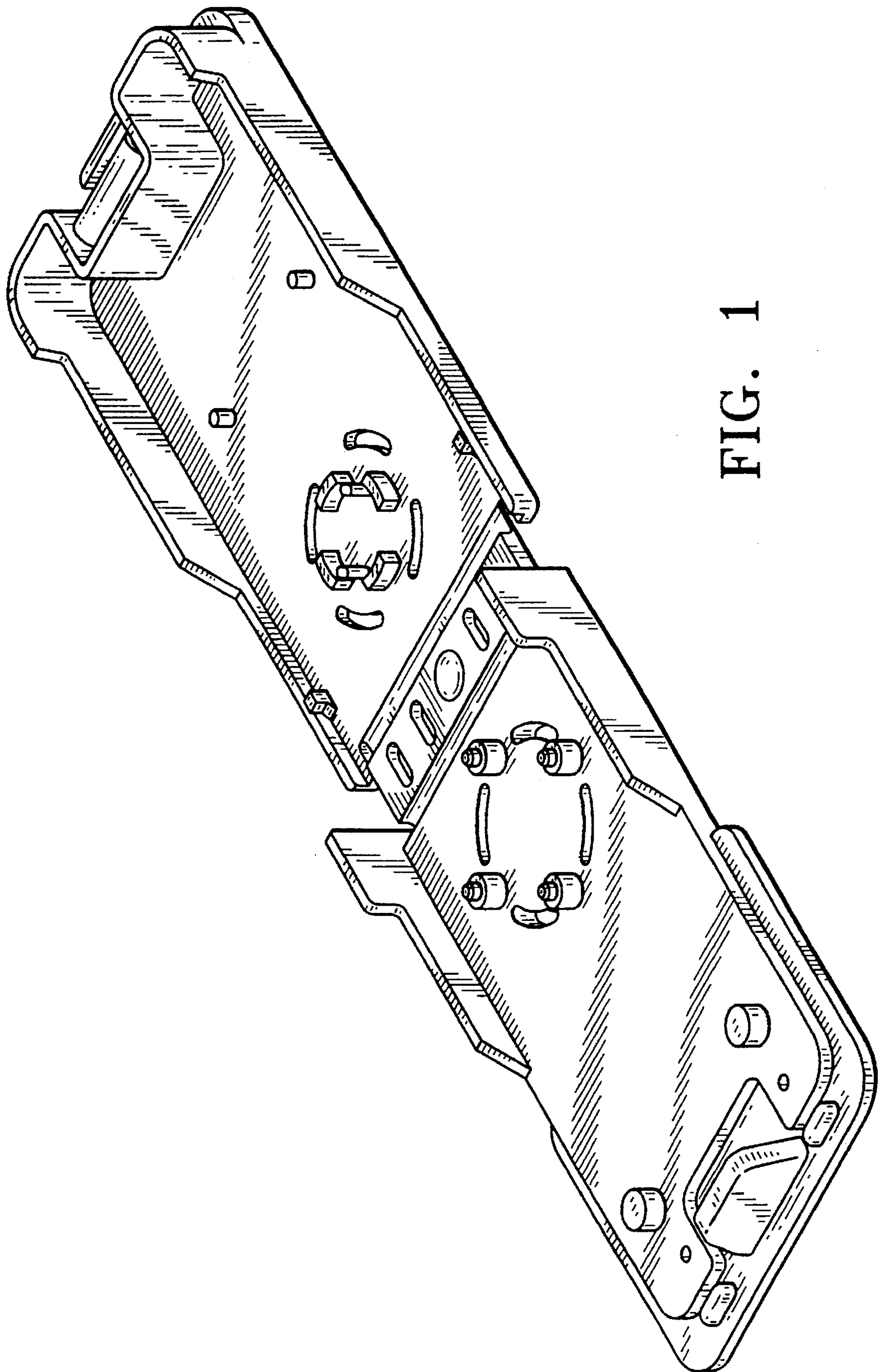


FIG. 1

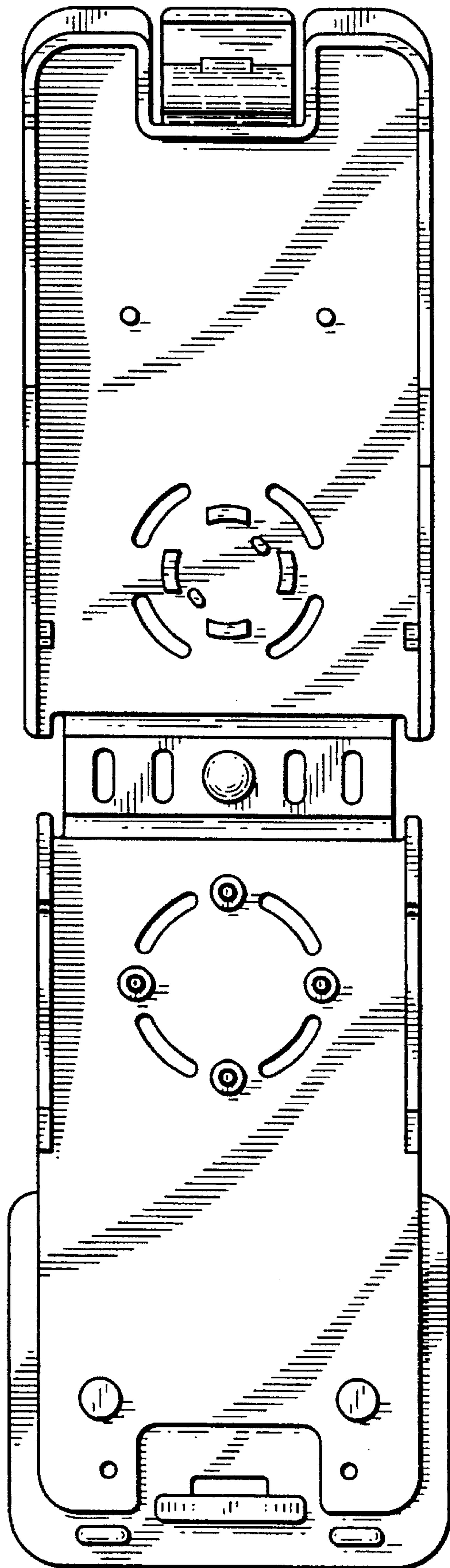


FIG. 2

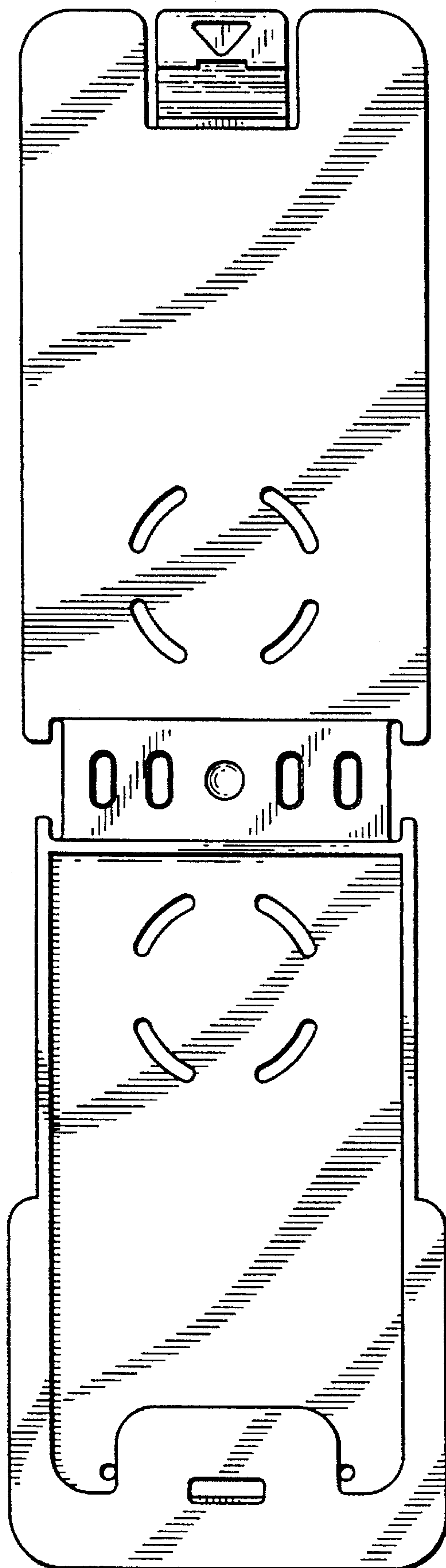


FIG. 3

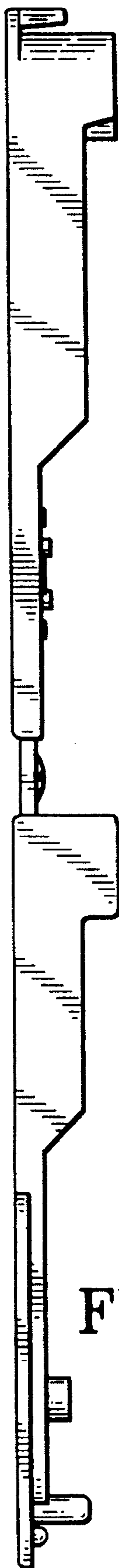


FIG. 4

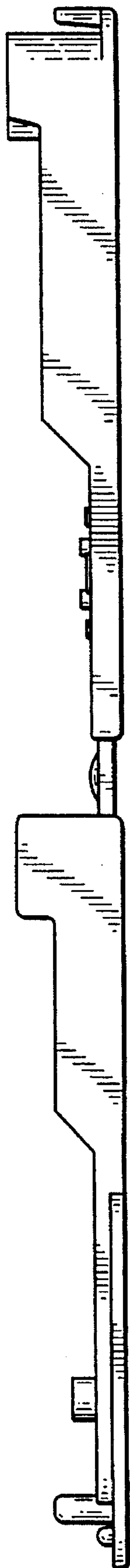


FIG. 5

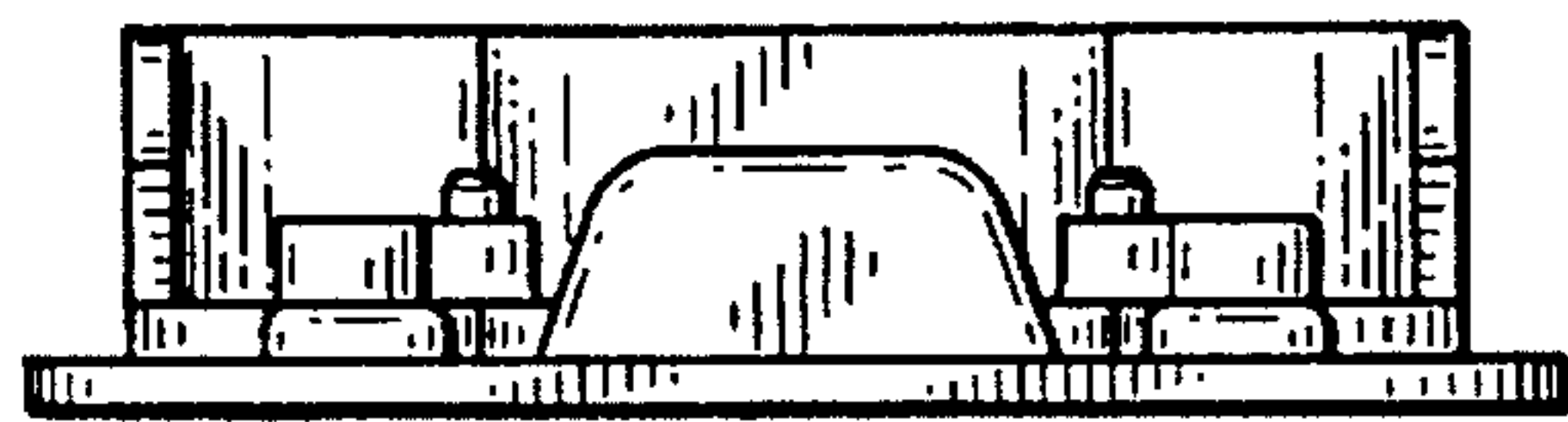


FIG. 6



FIG. 7

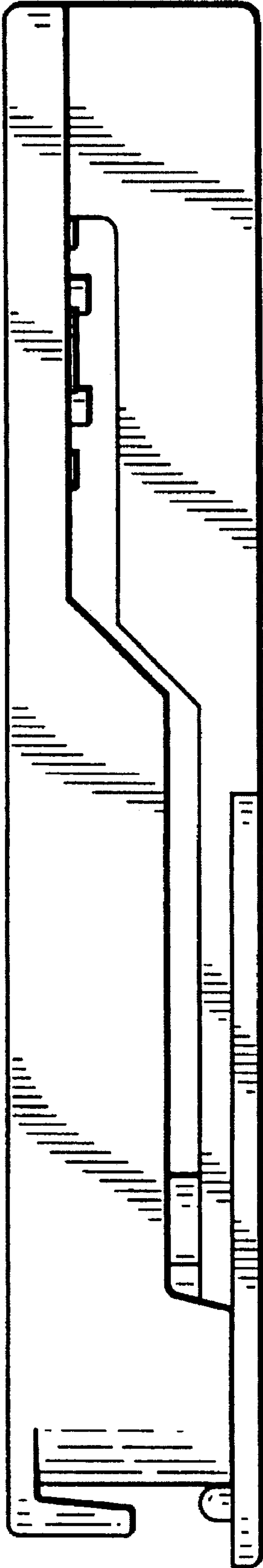


FIG. 8

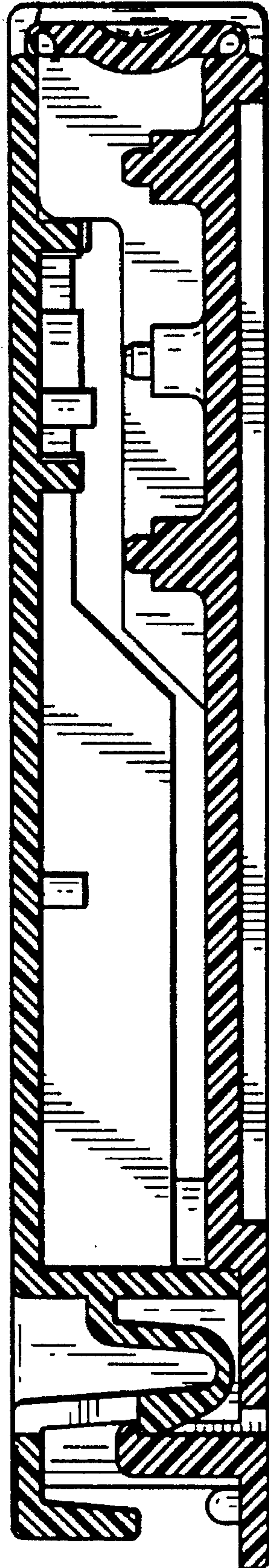


FIG. 9