



US00D382398S

United States Patent [19]

[11] Patent Number: Des. 382,398

Bazen

[45] Date of Patent: **Aug. 19, 1997

[54] FISHING ROD HOLDER

2,723,482 11/1955 Marten 43/26
4,546,877 10/1985 Evans 224/922 X

[76] Inventor: Charles Bazen, 1741 W. Onondaga St.-Apt. D24, Syracuse, N.Y. 13204

Primary Examiner—Doris V. Coles
Assistant Examiner—Catherine R. Oliver
Attorney, Agent, or Firm—George R. McGuire

[**] Term: 14 Years

[21] Appl. No.: 47,949

[57] CLAIM

[22] Filed: Dec. 15, 1995

The ornamental design for fishing rod holder, as shown and described.

[51] LOC (6) Cl. 03-01

DESCRIPTION

[52] U.S. Cl. D3/260

[58] Field of Search D3/260, 221; D22/136, D22/147; 43/21.2, 26; 224/922

FIG. 1 is a perspective view of the fishing rod holder showing my new design;

FIG. 2 is a left side elevational view thereof;

FIG. 3 is a front elevational view thereof;

FIG. 4 is a right side elevational view thereof;

FIG. 5 is a rear elevational view thereof;

FIG. 6 is a top plan view thereof; and,

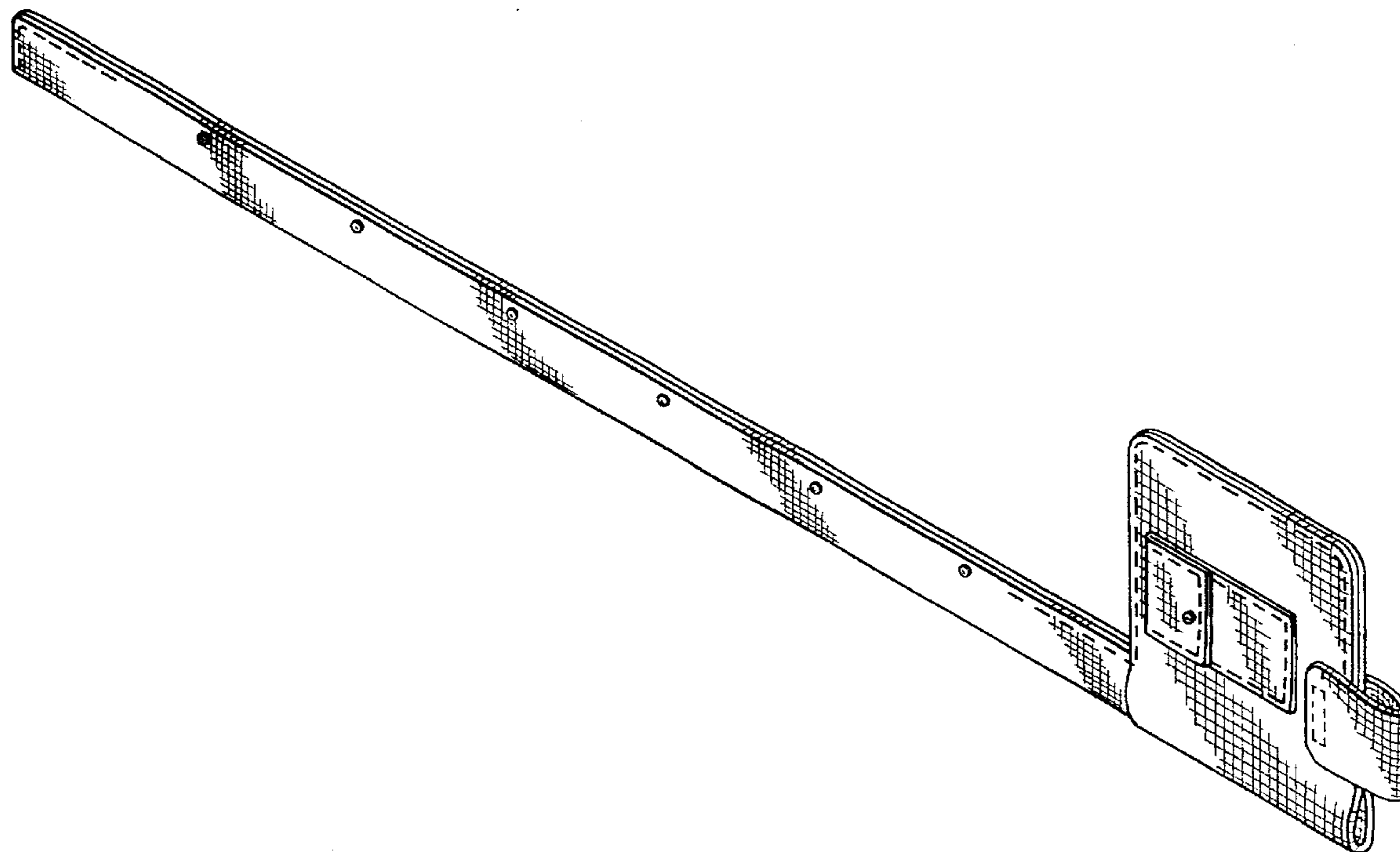
FIG. 7 is a bottom plan view thereof.

[56] References Cited

U.S. PATENT DOCUMENTS

D. 160,520	10/1950	Mowat	D3/260
D. 268,547	4/1983	Ruckstuhl	D3/260
D. 284,423	7/1986	McCallum	D3/260
D. 294,883	3/1988	McMillin	D3/260

1 Claim, 2 Drawing Sheets



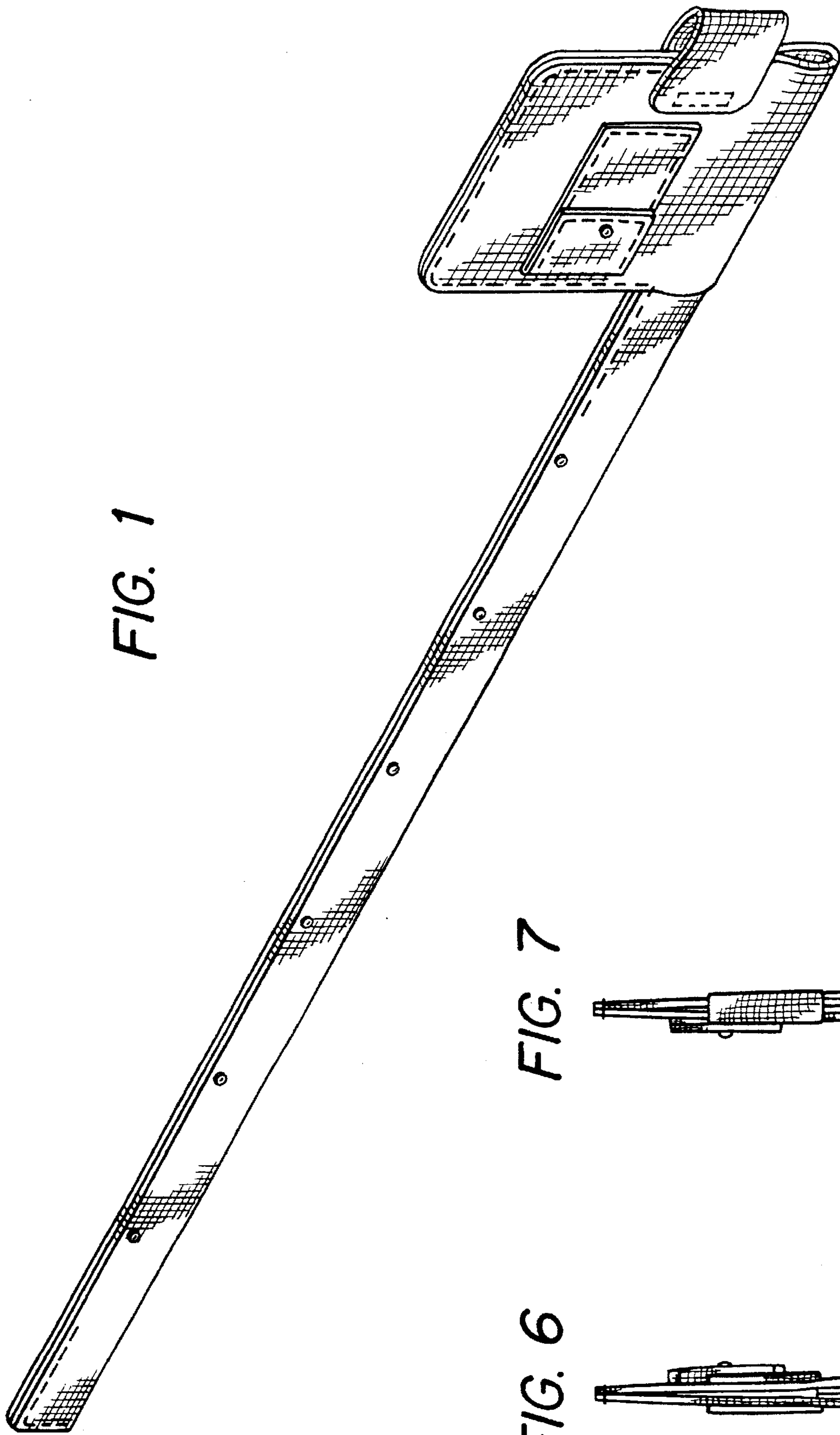


FIG. 1



FIG. 7



FIG. 6

FIG. 2



FIG. 3

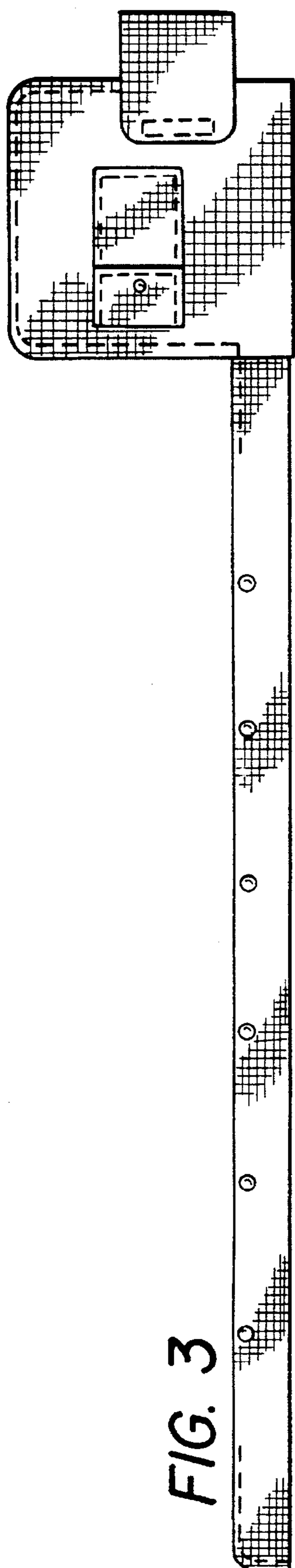


FIG. 4



FIG. 5

