



US00D382396S

United States Patent [19]
Campman

[11] **Patent Number: Des. 382,396**

[45] **Date of Patent: **Aug. 19, 1997**

[54] **HOLSTER FOR PERSONAL SECURITY
ALARM**

D. 351,280 10/1994 Pennington et al. D3/218
4,598,027 7/1986 Johnson 224/904 X
5,388,741 2/1995 Hillinger 224/904 X

[76] **Inventor: James P. Campman, 329 Bend Hill
Rd., Fredonia, Pa. 16124**

Primary Examiner—Doris V. Coles
Assistant Examiner—Catherine R. Oliver
Attorney, Agent, or Firm—Daniel K. Dorsey

[**] **Term: 14 Years**

[57] **CLAIM**

[21] **Appl. No.: 54,545**

The ornamental design for a holster for personal security alarm, as shown and described.

[22] **Filed: May 16, 1996**

[51] **LOC (6) Cl. 03-01**

DESCRIPTION

[52] **U.S. Cl. D3/215; D3/228**

[58] **Field of Search D3/215, 218, 228;
224/901, 252, 253, 267; D14/138, 251,
253**

FIG. 1 is a front elevation view of a holster for personal security alarm showing my new design;
FIG. 2 is a right side view with the left side being a mirror thereof;
FIG. 3 is a top view thereof;
FIG. 4 is a rear view; and,
FIG. 5 is a bottom view.

[56] **References Cited**

U.S. PATENT DOCUMENTS

D. 184,805 4/1959 Evans D3/228
D. 196,542 10/1963 Zelnick D3/228

1 Claim, 1 Drawing Sheet

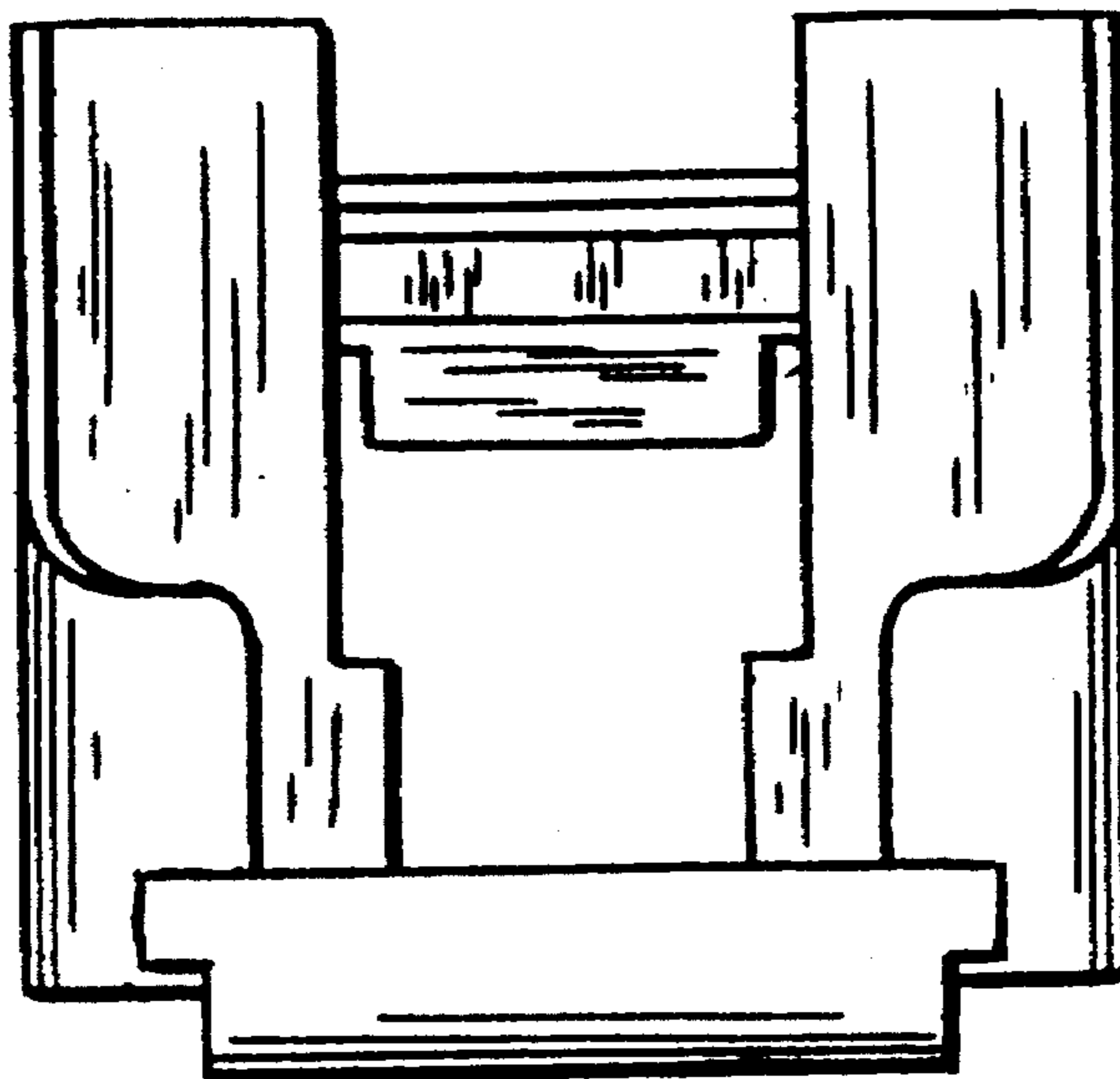


Fig. 1.

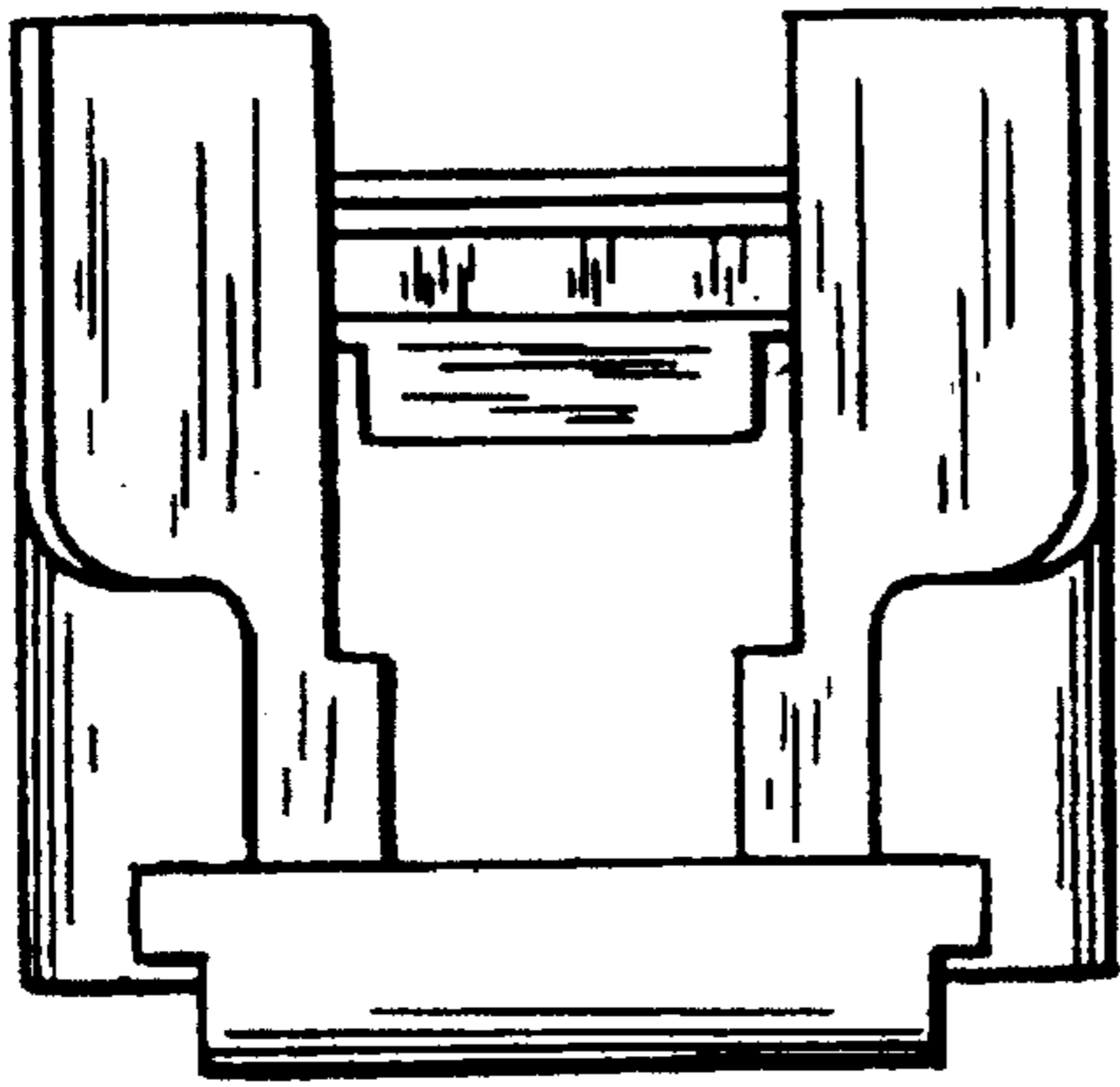


Fig. 2.

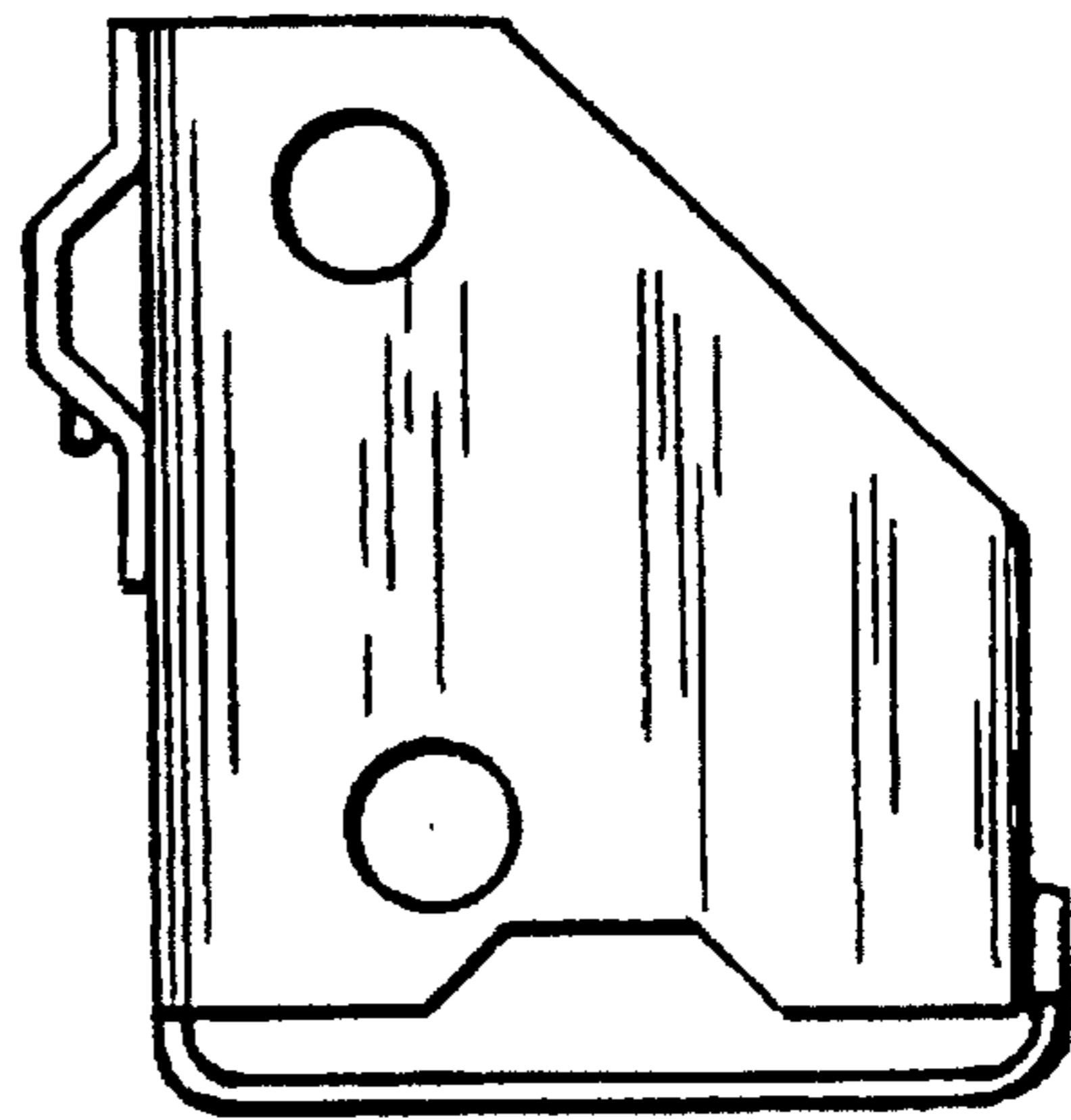


Fig. 3.

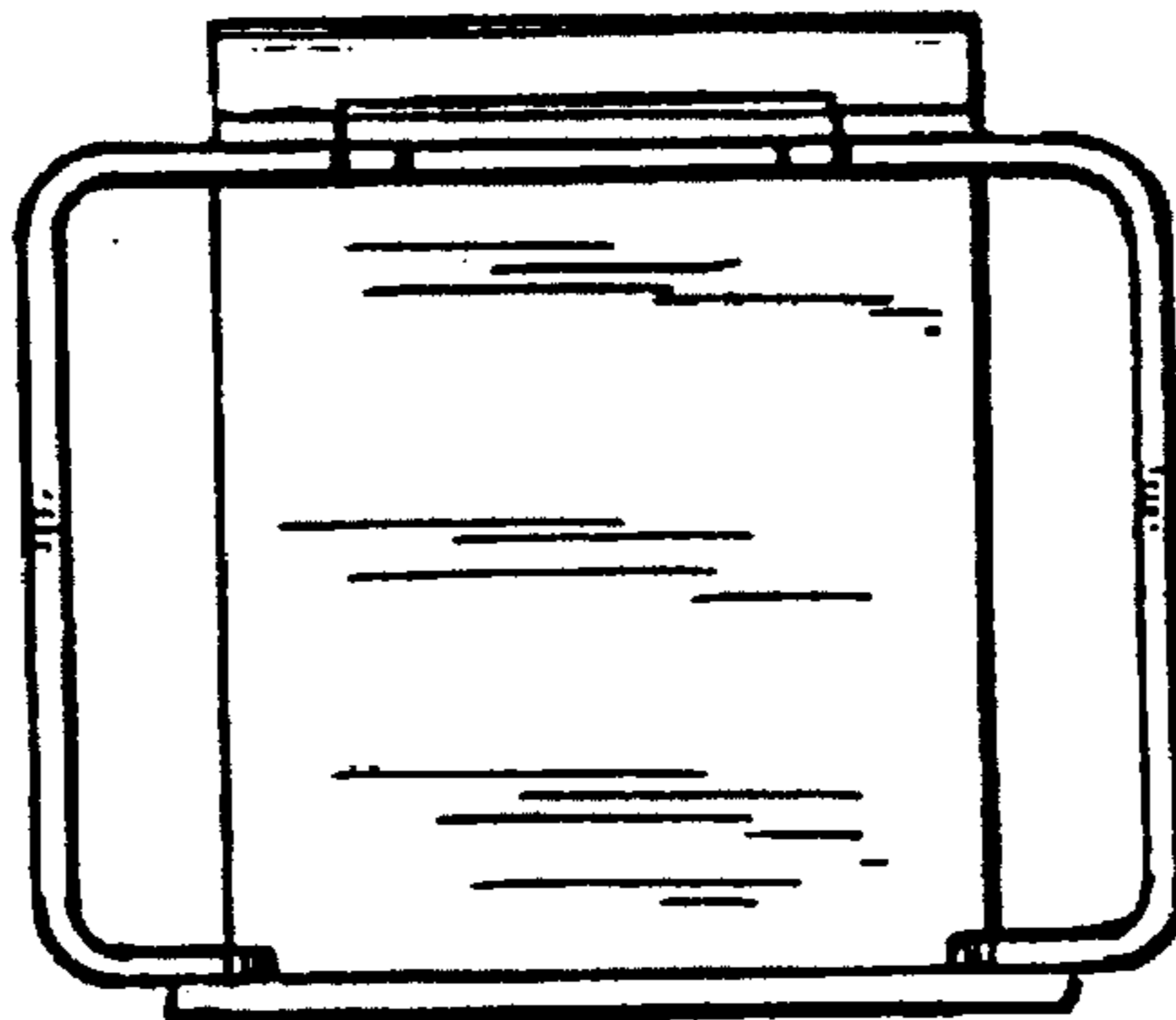


Fig. 4.

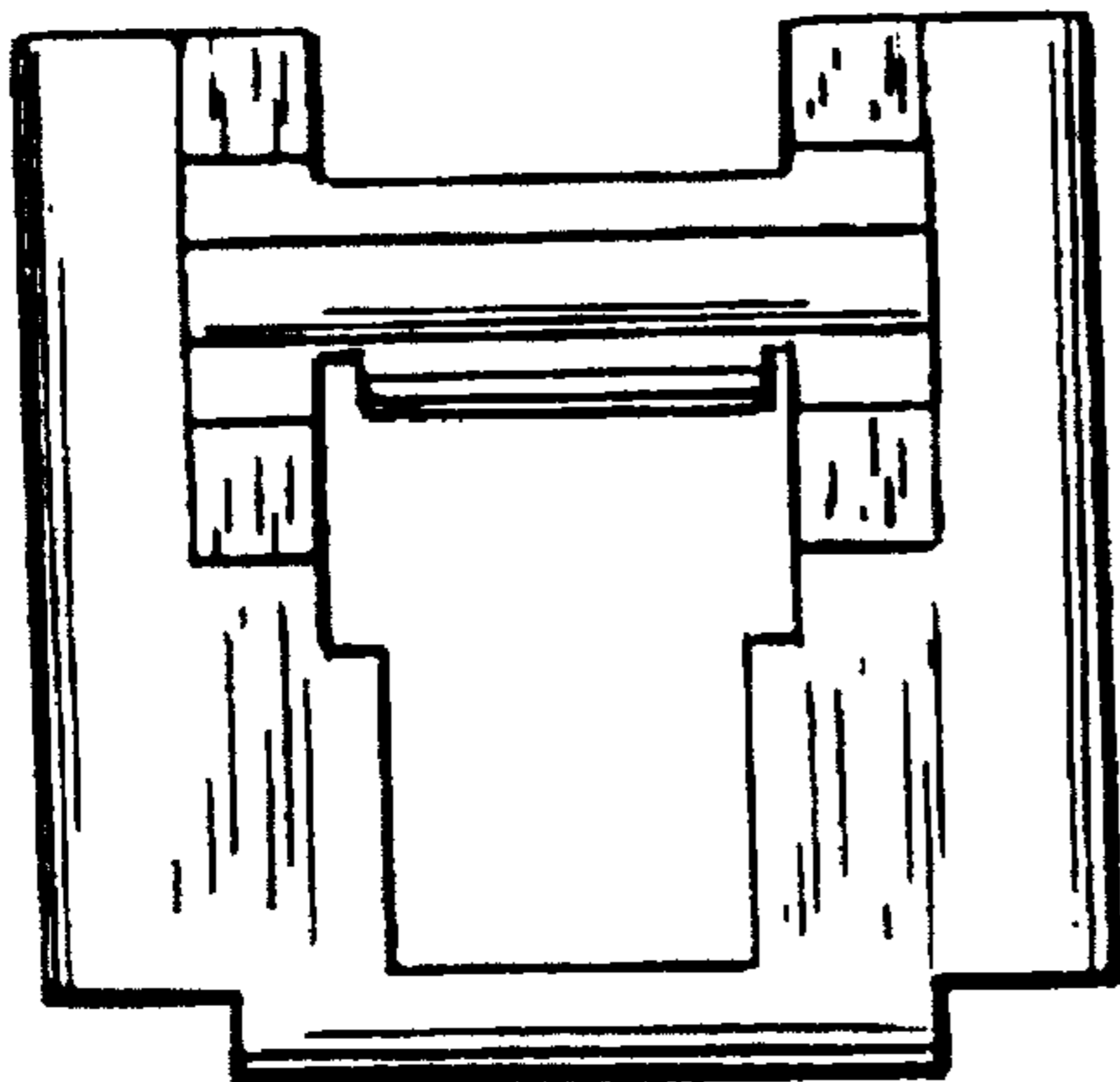


Fig. 5.

