



US00D382395S

United States Patent [19]
Korshamn

[11] **Patent Number: Des. 382,395**
[45] **Date of Patent: **Aug. 19, 1997**

[54] **SUPPORT BOARD FOR CHILDRENS
CARRYING BAG**

3,968,911	7/1976	Haas	224/158
4,254,900	3/1981	Wheeler	224/158
5,071,047	12/1991	Cordisco	224/158
5,333,769	8/1994	Skroski	224/158

[76] **Inventor: Bodil Korshamn, N-6657, Rindal,
Norway**

[**] **Term: 14 Years**

[21] **Appl. No.: 45,380**

[22] **Filed: Oct. 18, 1995**

[30] **Foreign Application Priority Data**

Apr. 19, 1995 [DK] Denmark 0393/95

[51] **LOC (6) Cl. 03-99**

[52] **U.S. Cl. D3/213**

[58] **Field of Search D3/213, 214; 224/158,
224/159, 160, 161, 651, 652**

[56] **References Cited**

U.S. PATENT DOCUMENTS

D. 200,759	4/1965	Caswell	D3/213
D. 281,833	12/1985	Carney	D3/214
3,054,637	9/1962	Pambello	224/159 X
3,269,621	8/1966	Dishart	224/159 X

OTHER PUBLICATIONS

Baby Bjorn Cat, Fall 1987, front page.

Primary Examiner—Prabhakar G. Deshmukh
Attorney, Agent, or Firm—Henderson & Sturm

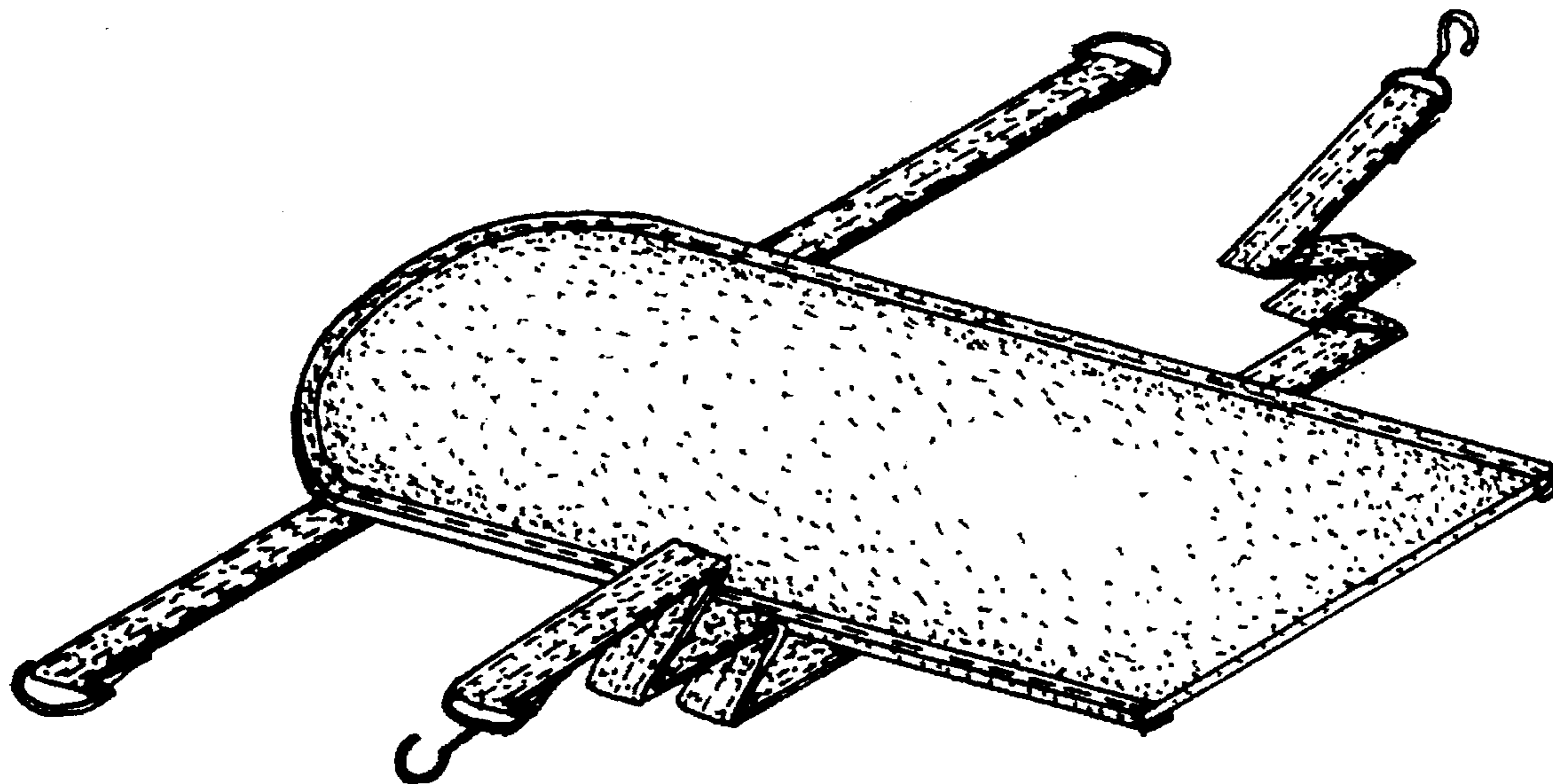
[57] **CLAIM**

The ornamental design for a “support board for childrens carrying bag”, shown and described.

DESCRIPTION

FIG. 1 is a view in perspective;
FIG. 2 is a plan view from the top;
FIG. 3 is a plan view from the bottom;
FIG. 4 is a right lateral view;
FIG. 5 is a left lateral view;
FIG. 6 is a front end view; and,
FIG. 7 is a rear end view.

1 Claim, 2 Drawing Sheets



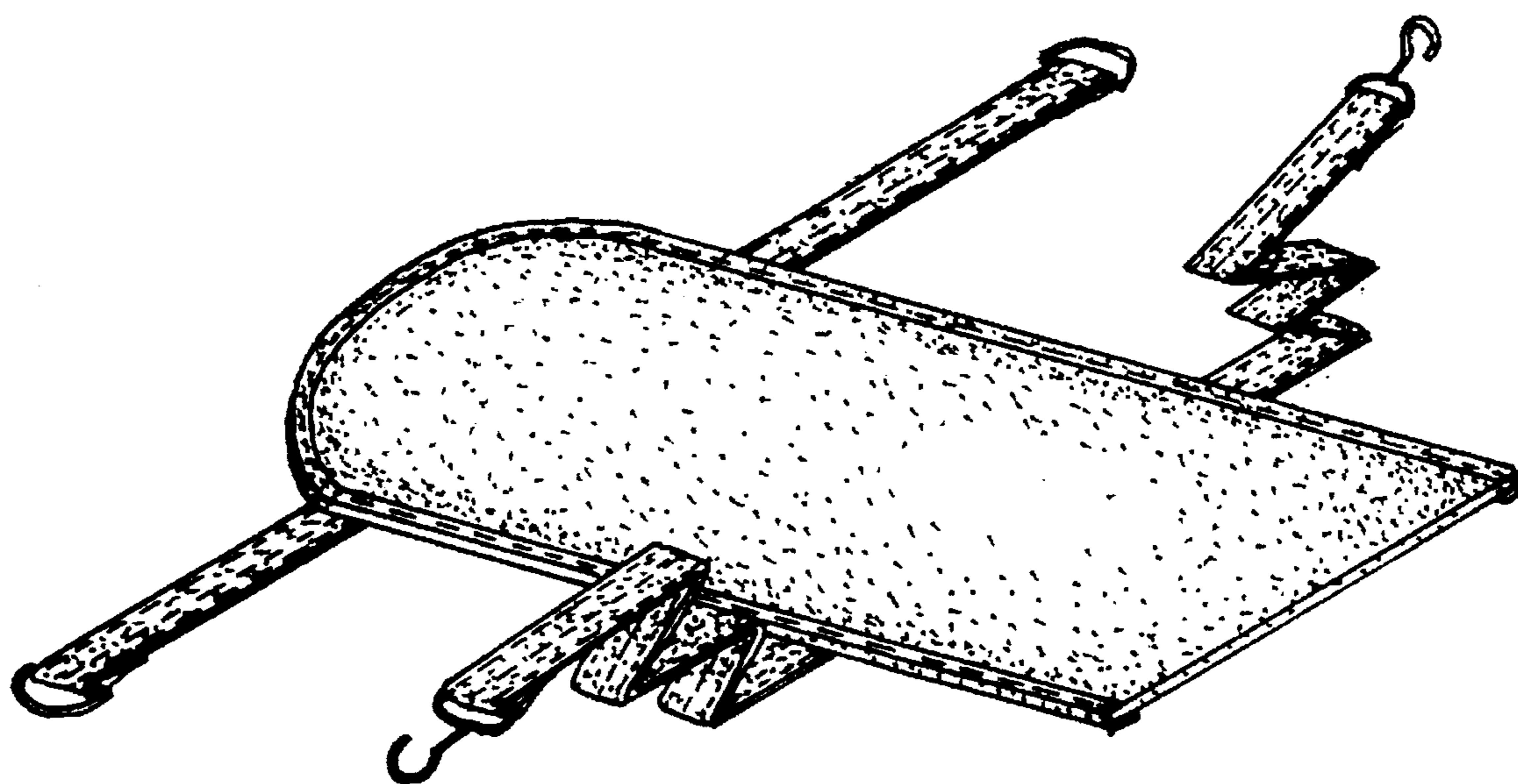


Fig. 1

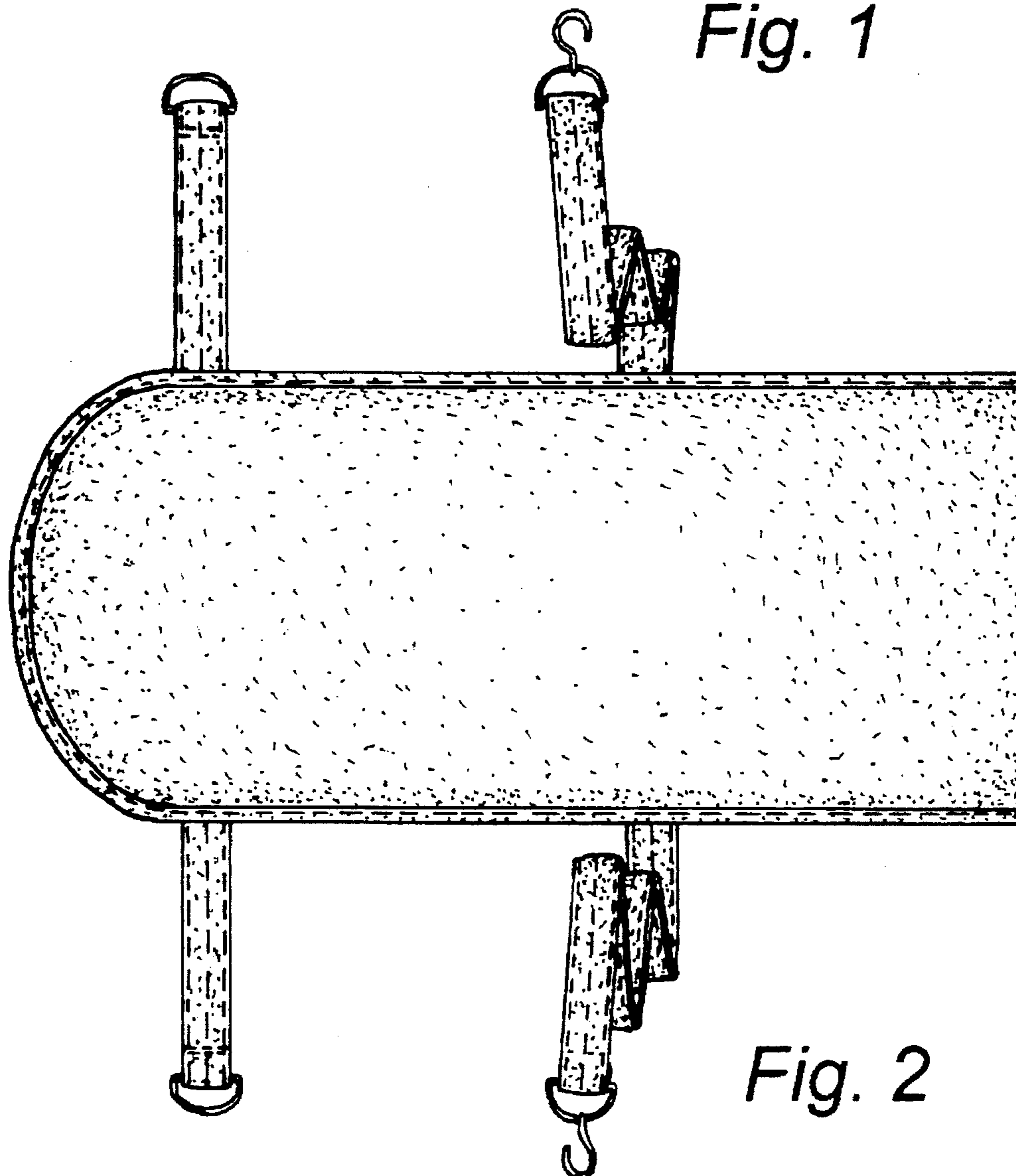


Fig. 2

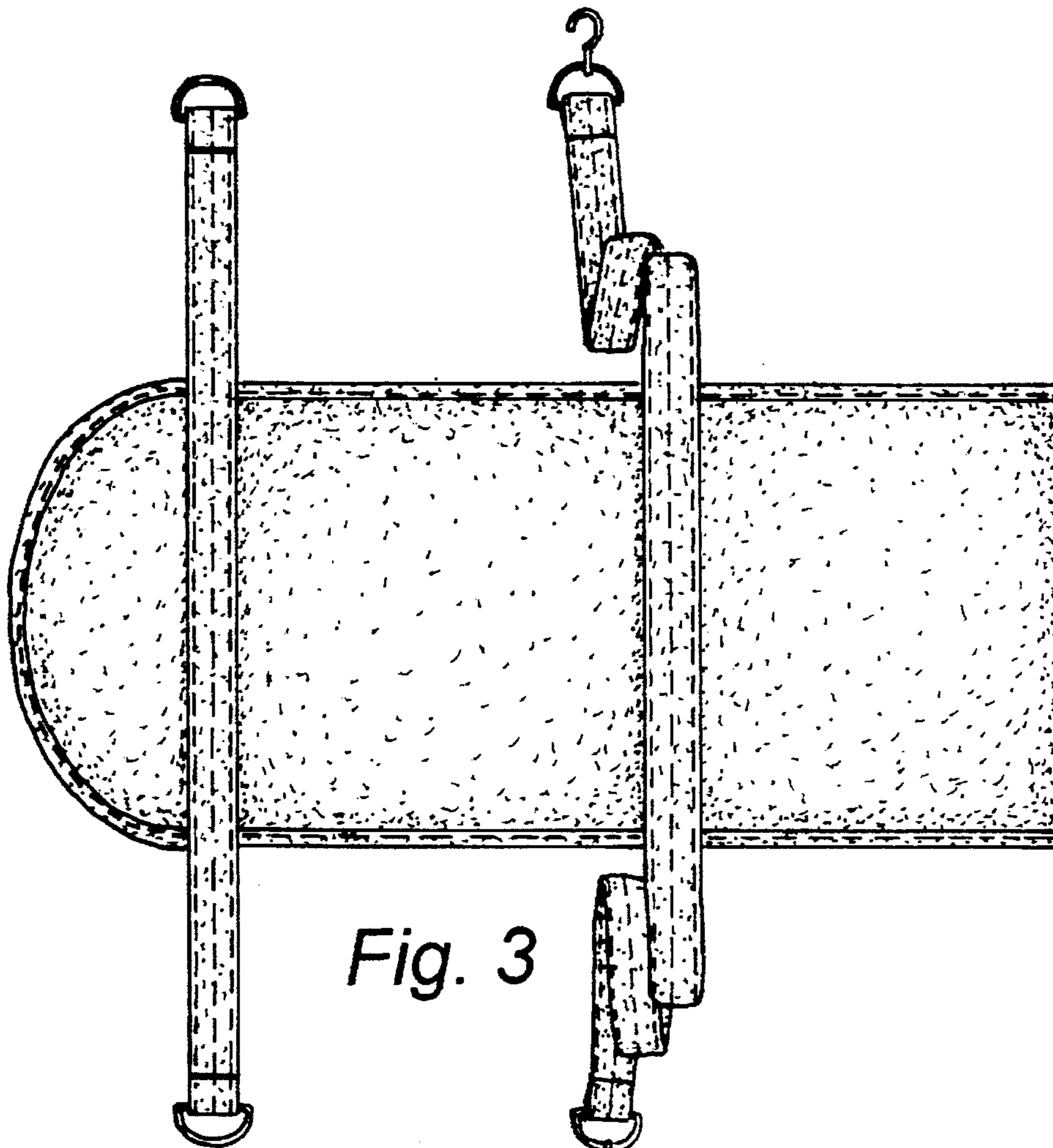


Fig. 3

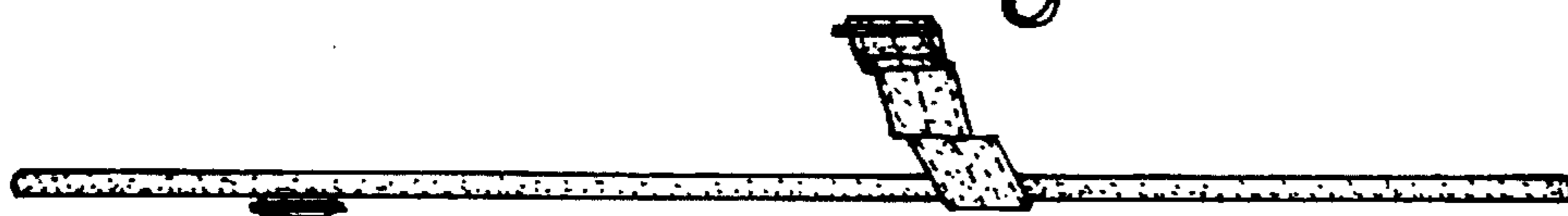


Fig. 4

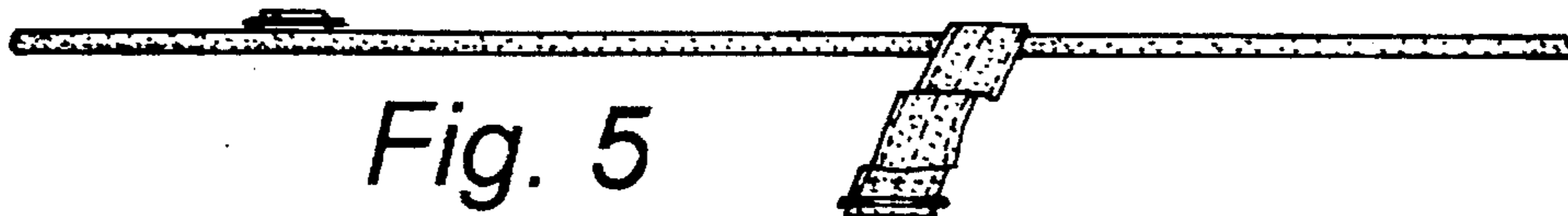


Fig. 5



Fig. 6

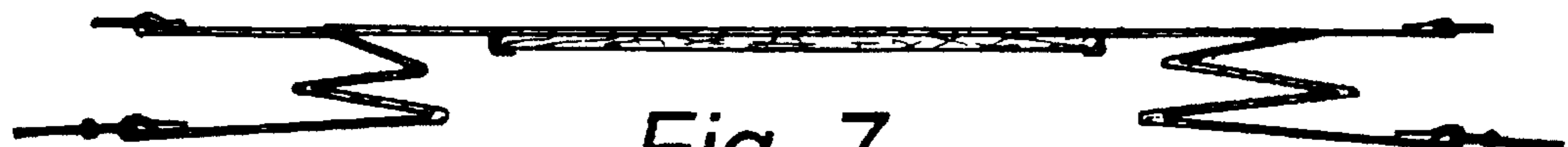


Fig. 7