



US00D382394S

United States Patent [19]
Hlafka

[11] **Patent Number: Des. 382,394**

[45] **Date of Patent: **Aug. 19, 1997**

[54] **COMBINED KEY RING AND MINI-BATON**

[76] **Inventor: Joseph E. Hlafka**, 1229 William St.,
Baltimore, Md. 21230

[**] **Term: 14 Years**

[21] **Appl. No.: 54,503**

[22] **Filed: May 15, 1996**

[51] **LOC (6) Cl. 03-01**

[52] **U.S. Cl. D3/208; D3/211**

[58] **Field of Search D22/117; D3/207,**
D3/208, 210, 211; 273/84 R, 84 A; 70/456 R,
459

[56] **References Cited**

U.S. PATENT DOCUMENTS

D. 275,623	9/1984	Raitto	D22/117
4,460,174	7/1984	Perry	273/84 R
4,506,889	3/1985	Lewis	273/84 R

OTHER PUBLICATIONS

Shomer-Tec 1994 Catalog p. 13, Mini-Baton.

Primary Examiner—Doris V. Coles

Attorney, Agent, or Firm—Walter G. Finch

[57] **CLAIM**

The ornamental design for a combined key ring and mini-baton, as shown and described.

DESCRIPTION

FIG. 1 is a perspective view of a combined key ring and mini-baton, showing my new design;

FIG. 2 is a front elevational view thereof;

FIG. 3 is a top plan view thereof;

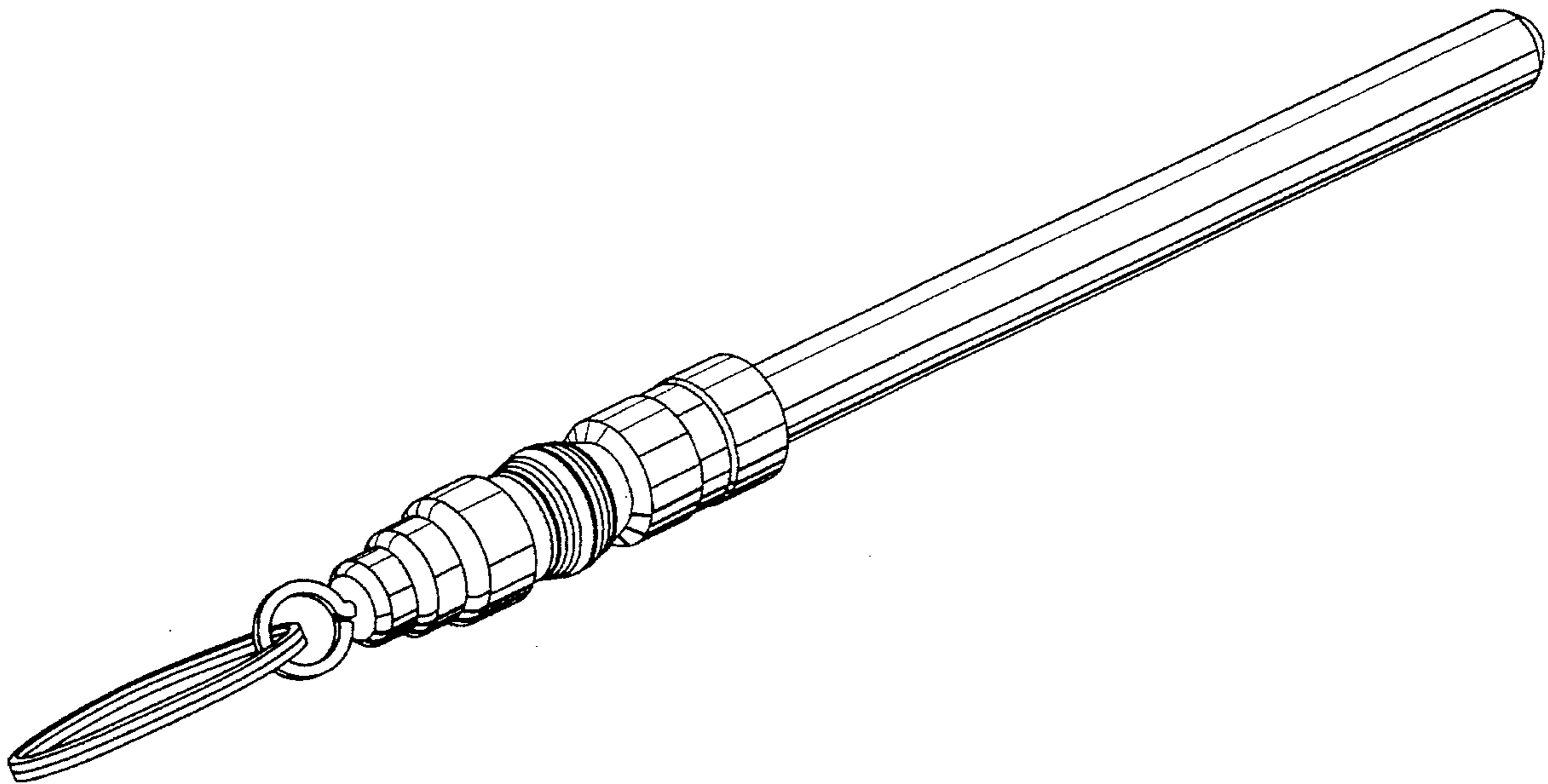
FIG. 4 is a right side elevational view thereof;

FIG. 5 is a bottom plan view thereof;

FIG. 6 is a rear elevational view thereof; and,

FIG. 7 is a left side elevational view thereof.

1 Claim, 2 Drawing Sheets



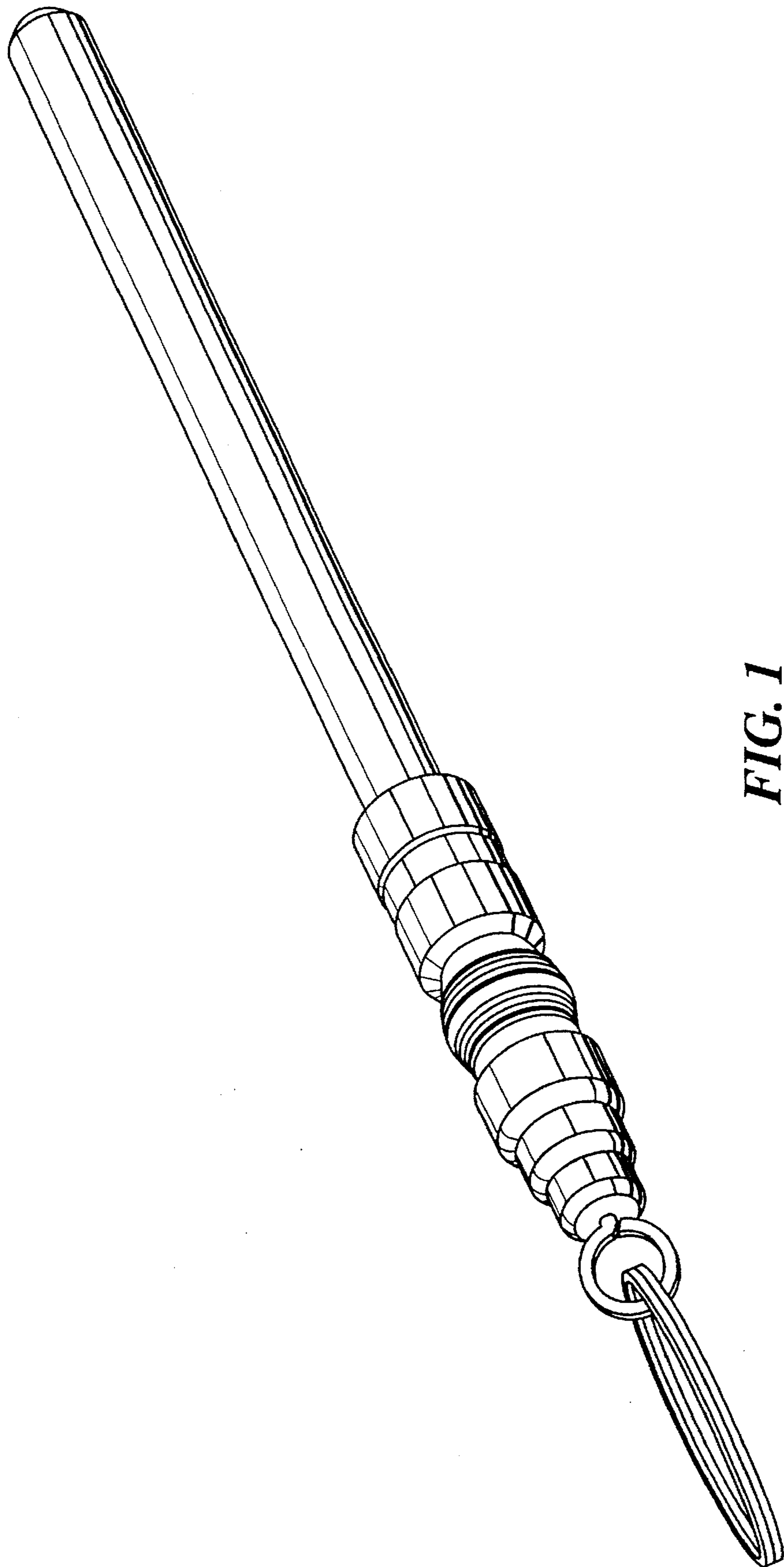


FIG. 1

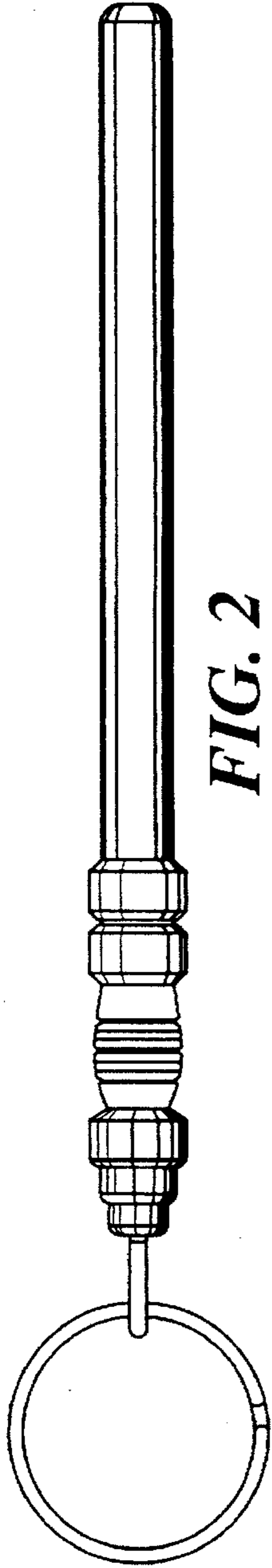


FIG. 2

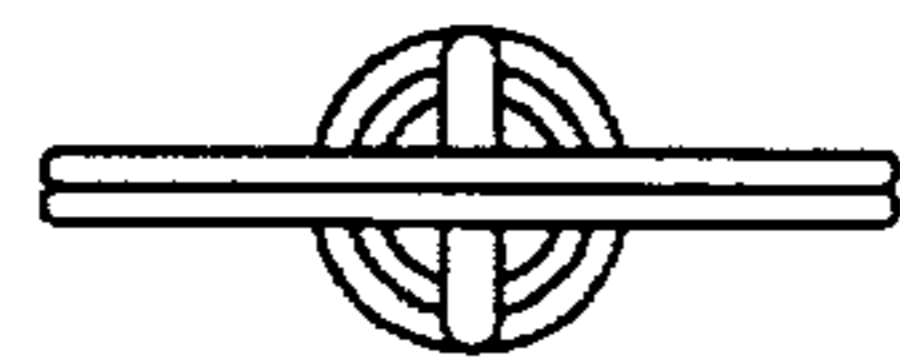


FIG. 3

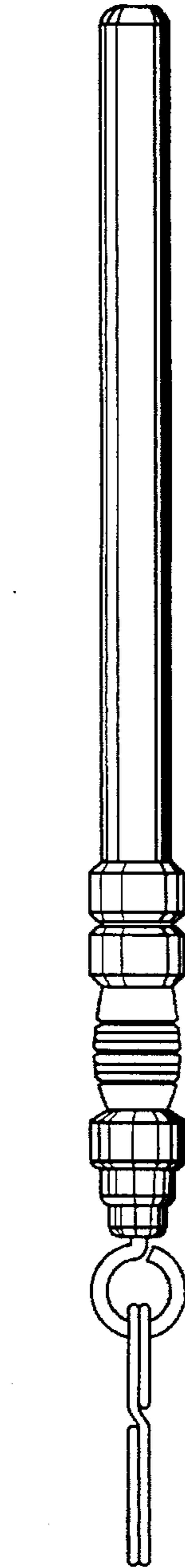


FIG. 4

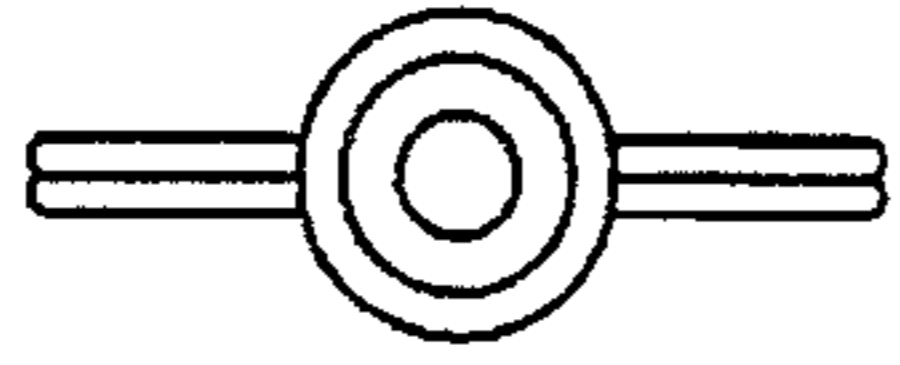


FIG. 5

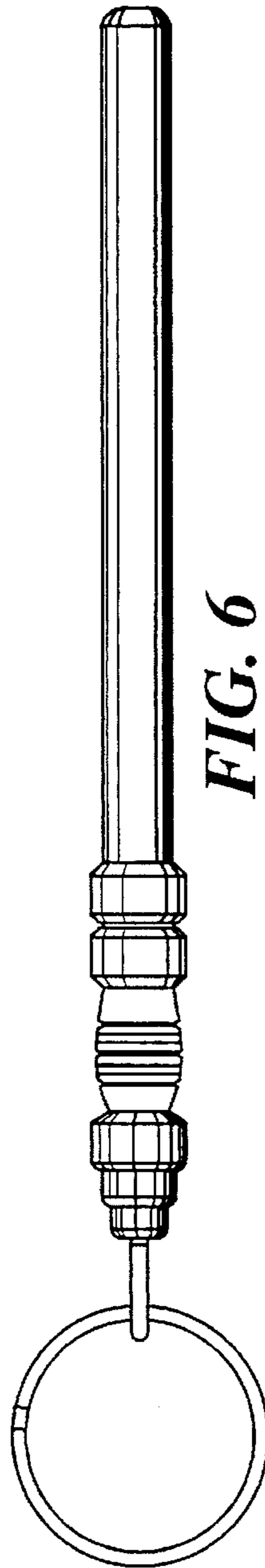


FIG. 6



FIG. 7