



US00D382383S

United States Patent [19]

Knowlton et al.

[11] Patent Number: Des. 382,383

[45] Date of Patent: **Aug. 12, 1997

[54] FLOOR SCRUBBER

[75] Inventors: Christopher M. Knowlton, Pinehurst, N.C.; Robert J. O'Hara, Castle Rock, Colo.

[73] Assignee: Windsor Industries, Inc., Englewood, Colo.

[**] Term: 14 Years

[21] Appl. No.: 21,845

[22] Filed: Apr. 25, 1994

[51] LOC (6) Cl. 15-05

[52] U.S. Cl. D32/16

[58] Field of Search D32/1, 15-17, D32/19-20; D12/1, 14, 15; D15/10, 124; 15/49.1-50.3, 21.1, 51-52.2, 78, 80-82, 87, 97.1, 98-99, 320, 340.1, 340.3-340.4; 37/219, 231-232

[56] References Cited

U.S. PATENT DOCUMENTS

D. 228,087 8/1973 Kasper et al. D32/16

D. 273,620	4/1984	Kimzey et al.	D32/16
D. 273,622	4/1984	Brown et al.	D32/16
D. 329,311	9/1992	Knowlton et al.	D32/16
4,037,289	7/1977	Dojan	15/320
5,265,300	11/1993	O'Hara et al.	15/49.1

Primary Examiner—James Gandy
Assistant Examiner—Stacia Sinuik
Attorney, Agent, or Firm—Sheridan Ross P.C.

[57] CLAIM

The ornamental design for a floor scrubber, as shown and described.

DESCRIPTION

FIG. 1 is a left side elevational view of a floor scrubber showing our new design;
FIG. 2 is a right side elevational view thereof;
FIG. 3 is a top plan view thereof;
FIG. 4 is a front elevational view thereof; and,
FIG. 5 is a rear elevational view thereof.

1 Claim, 5 Drawing Sheets

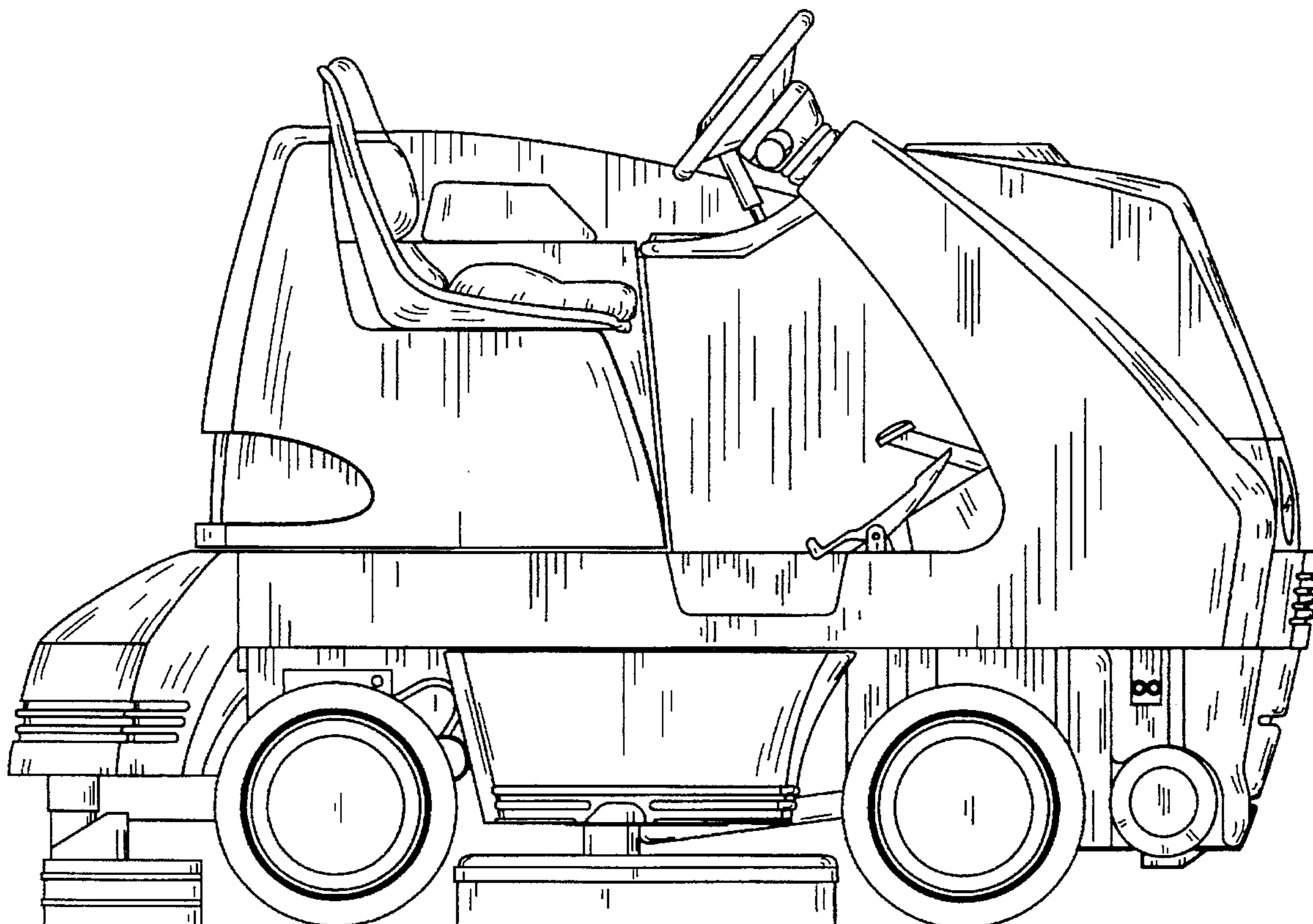


Fig. 1

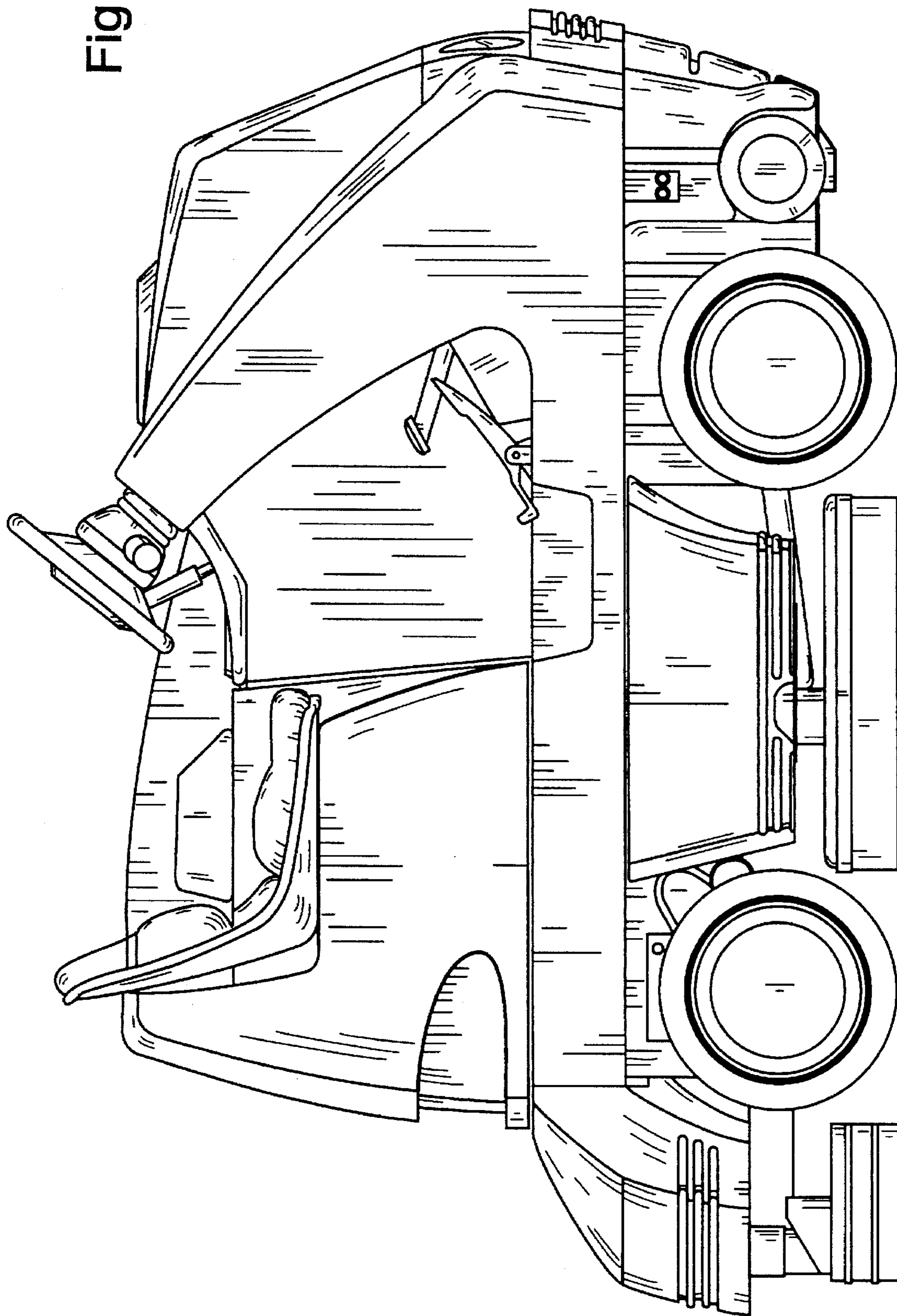
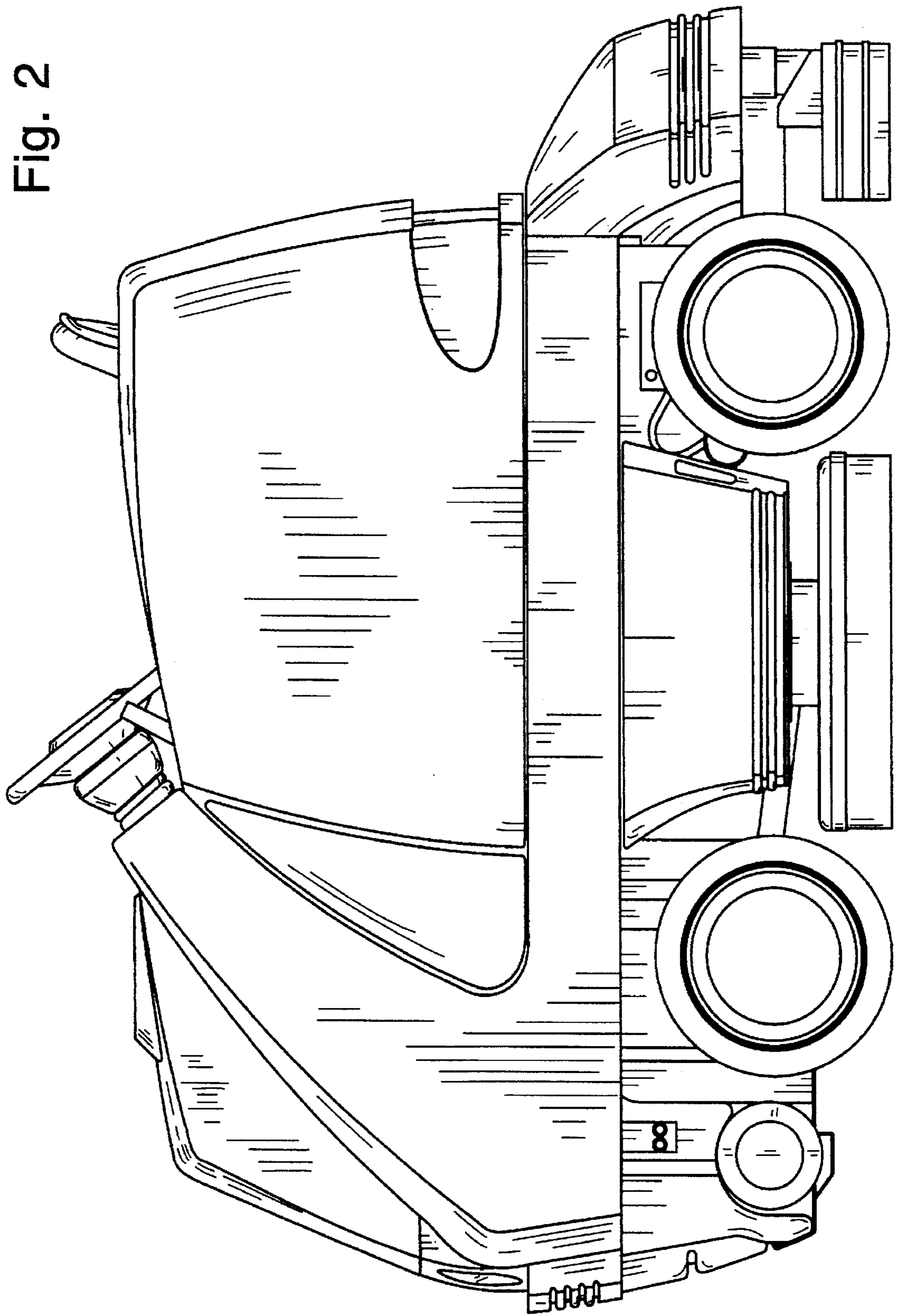


Fig. 2



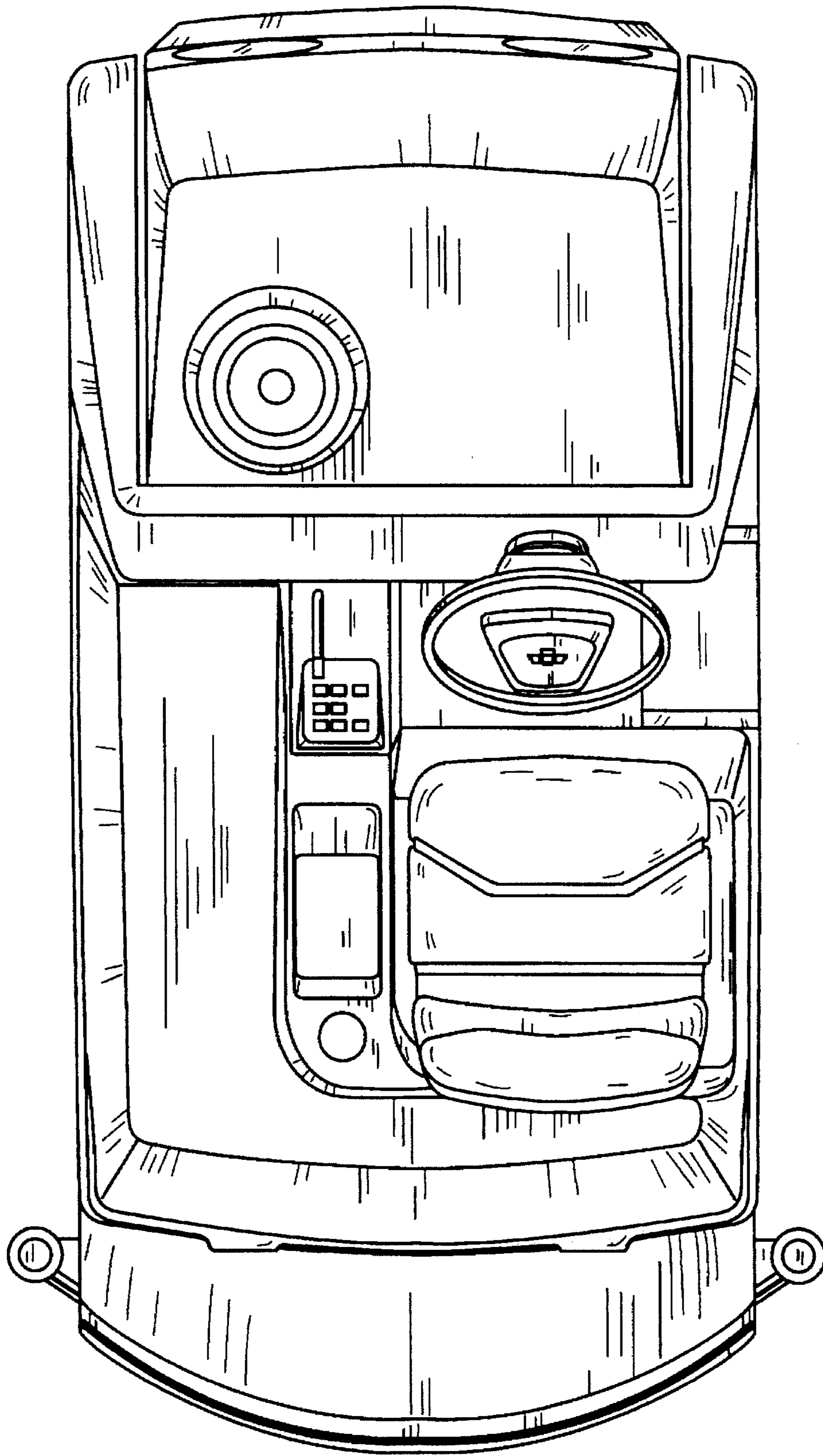


Fig.3

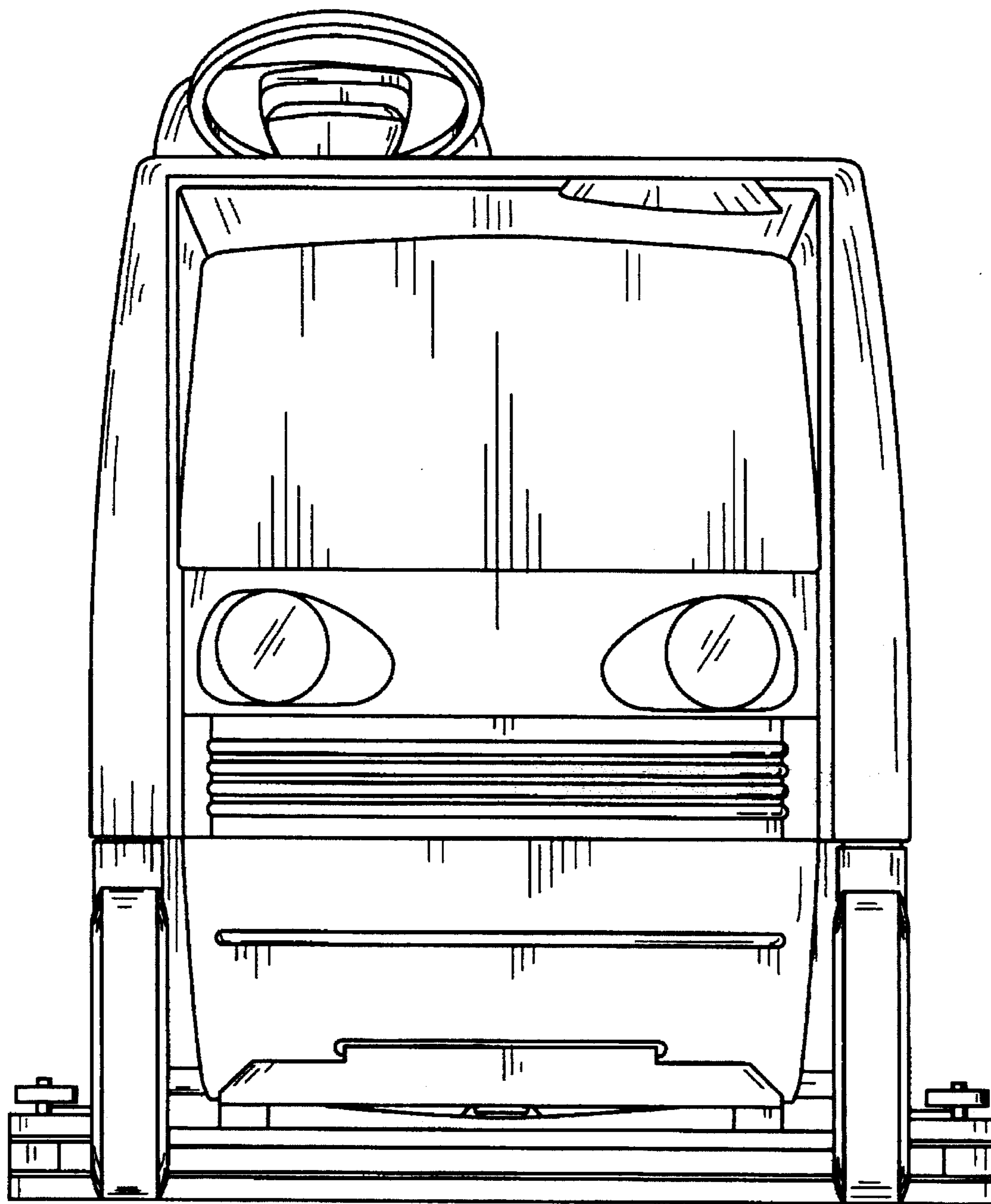


Fig.4

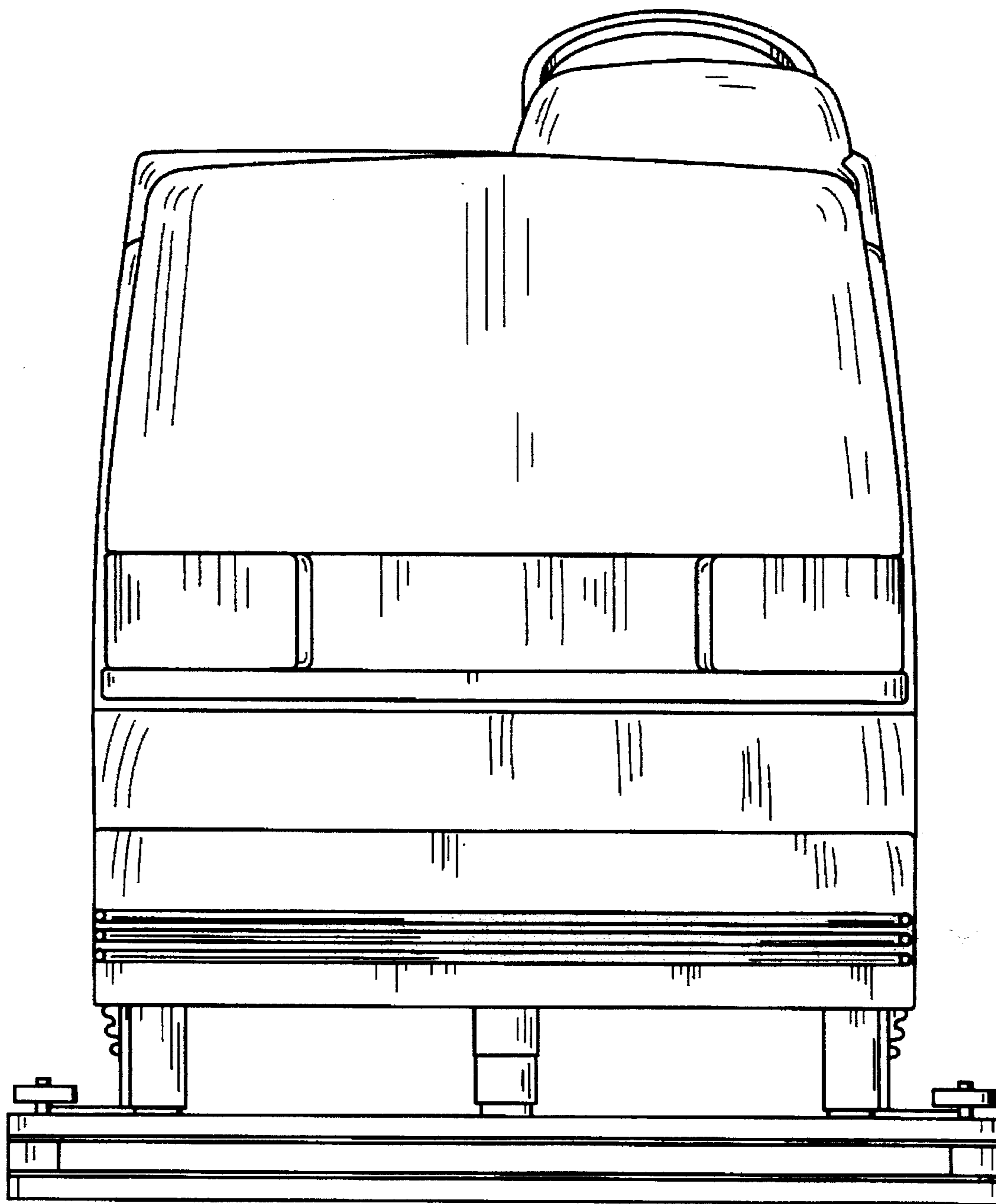


Fig.5