



US00D382381S

# United States Patent [19]

[11] Patent Number: **Des. 382,381**

**Fukushima**

[45] Date of Patent: **\*\*Aug. 12, 1997**

[54] **NOVELTY PET TOY**

[76] Inventor: **Glenn M. Fukushima**, 4822 E. Camerino St., Lakewood, Calif. 90712

[\*\*] Term: **14 Years**

[21] Appl. No.: **49,914**

[22] Filed: **Feb. 5, 1996**

[51] LOC (6) Cl. .... **30-99**

[52] U.S. Cl. .... **D30/160**

[58] Field of Search ..... 119/703-711, 780; D30/158, 160; D21/160, 92, 66; 446/246; 482/146

[56] **References Cited**

**U.S. PATENT DOCUMENTS**

Re. 22,900	7/1947	Harold	.....	D21/160
1,659,423	2/1928	Bitetto	.....	446/246
2,714,007	7/1955	Jordan	.....	D21/66
3,665,892	5/1972	Kusisto	.....	119/707
4,930,448	6/1990	Robinson	.....	119/708

5,119,001	6/1992	Moore et al.	.....	119/708
5,148,769	9/1992	Zelinger	.....	119/708
5,322,036	6/1994	Merino	.....	119/707
5,339,770	8/1994	Haffner	.....	119/708

**FOREIGN PATENT DOCUMENTS**

3908241	9/1990	Germany	.....	119/708
---------	--------	---------	-------	---------

*Primary Examiner*—Cathy Anne MacCormac

[57] **CLAIM**

The ornamental design for a novelty pet toy, as shown and described.

**DESCRIPTION**

FIG. 1 is a left side elevational view of a novelty pet toy showing my new design therefor, the right side elevational view being a mirror image thereof;  
 FIG. 2 is a front elevational view, the rear elevational view being a mirror image thereof;  
 FIG. 3 is a top plan view; and,  
 FIG. 4 is a bottom plan view.

**1 Claim, 4 Drawing Sheets**

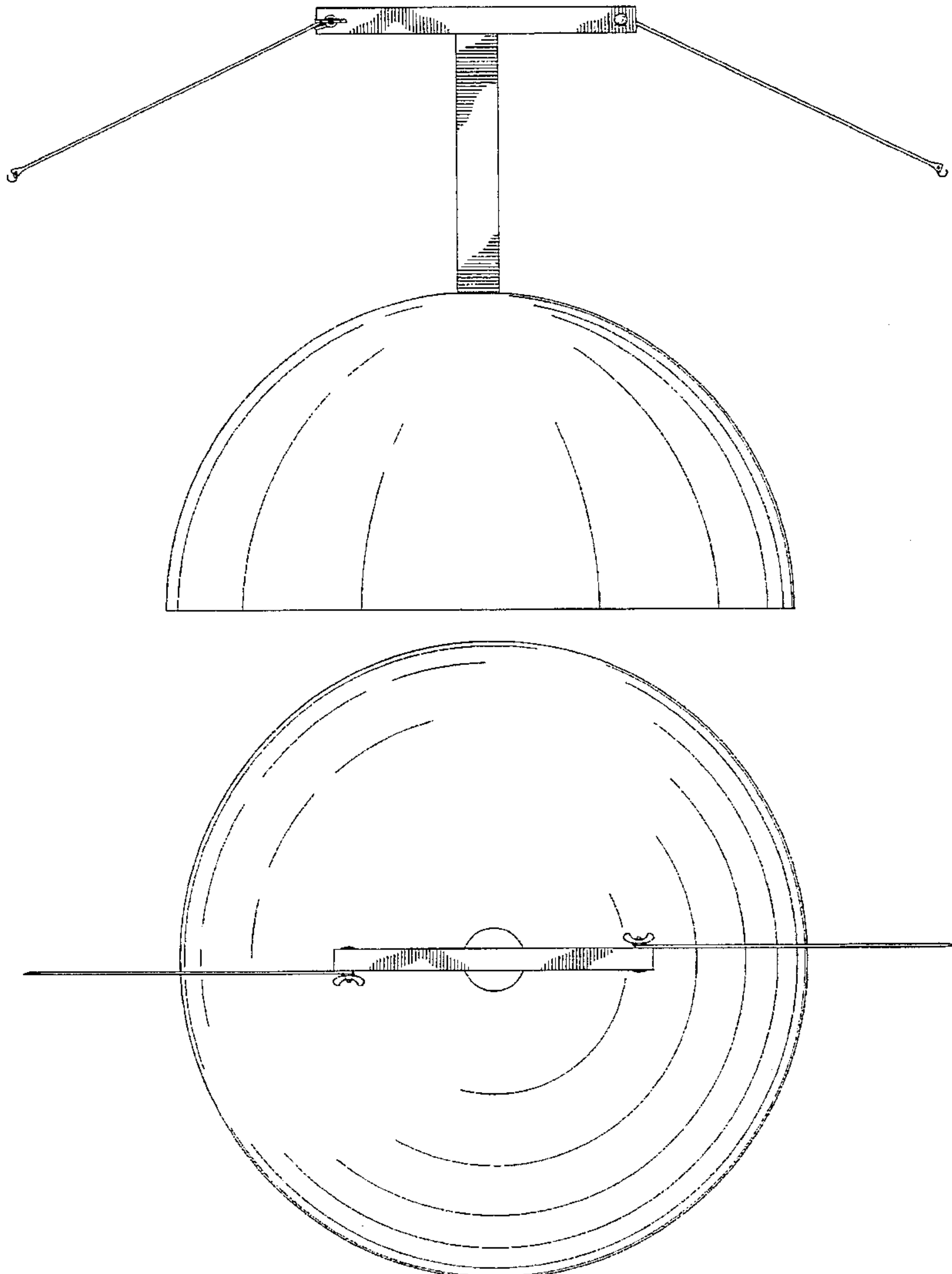


FIG. 1

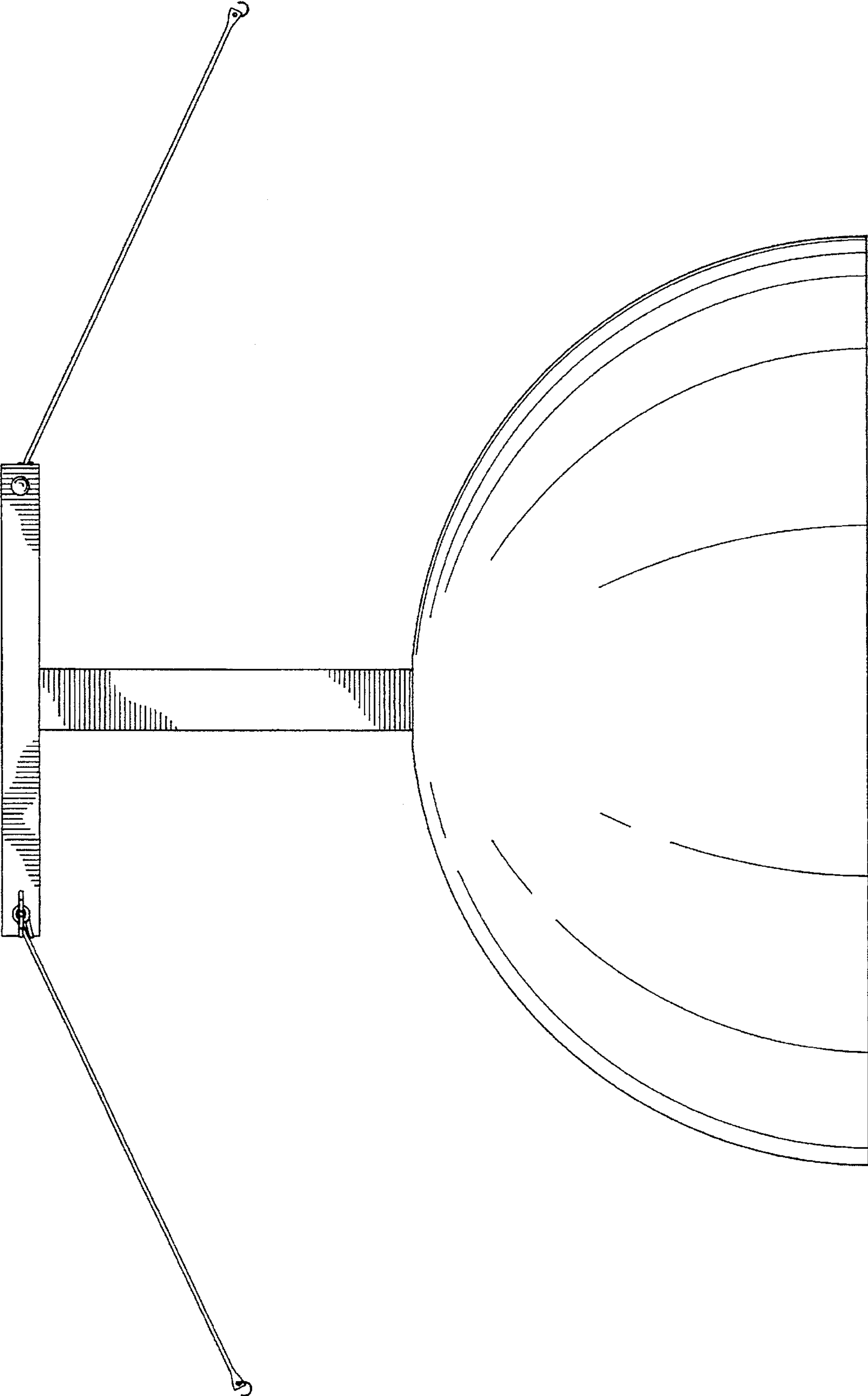


FIG. 2

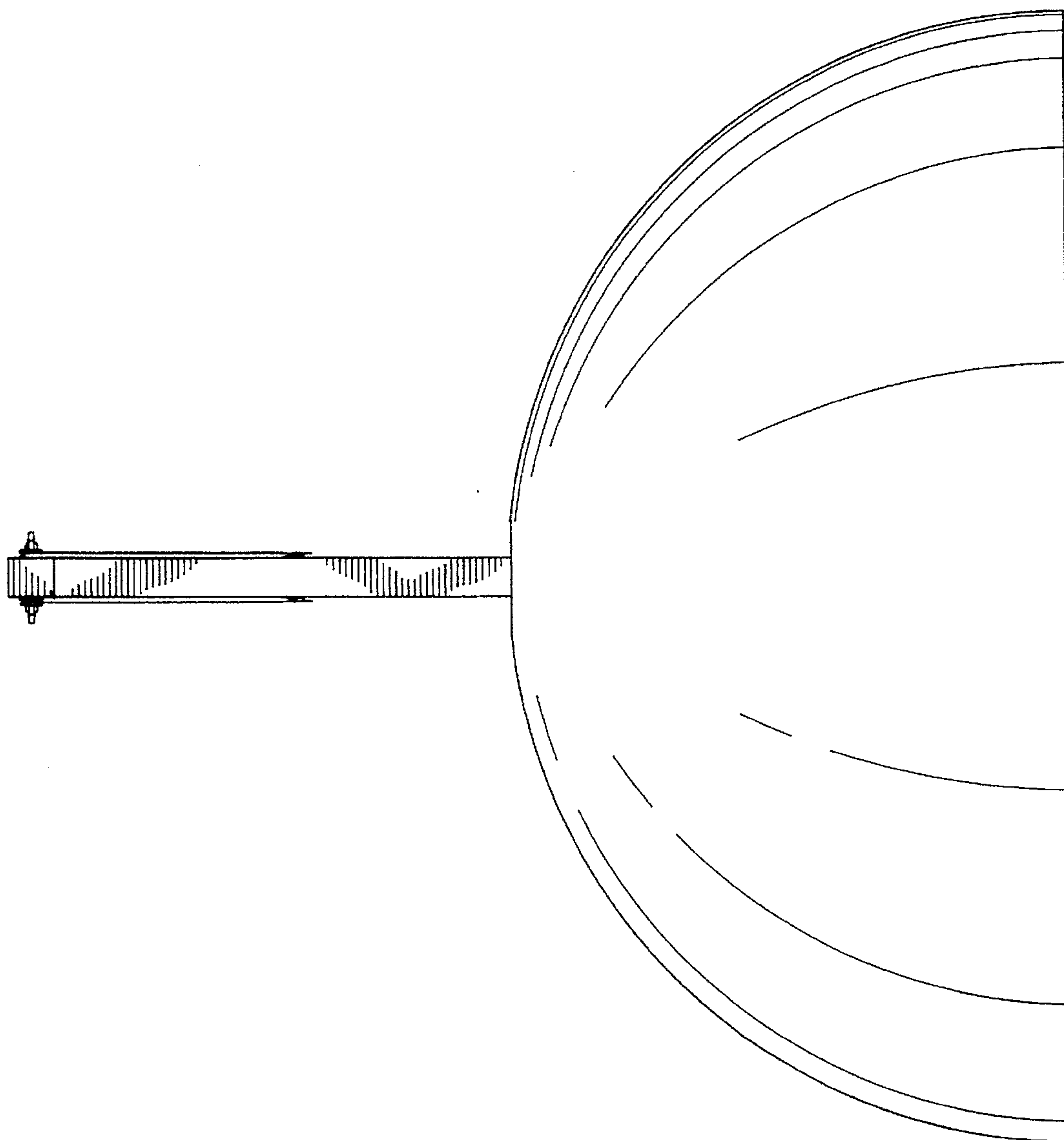


FIG. 3

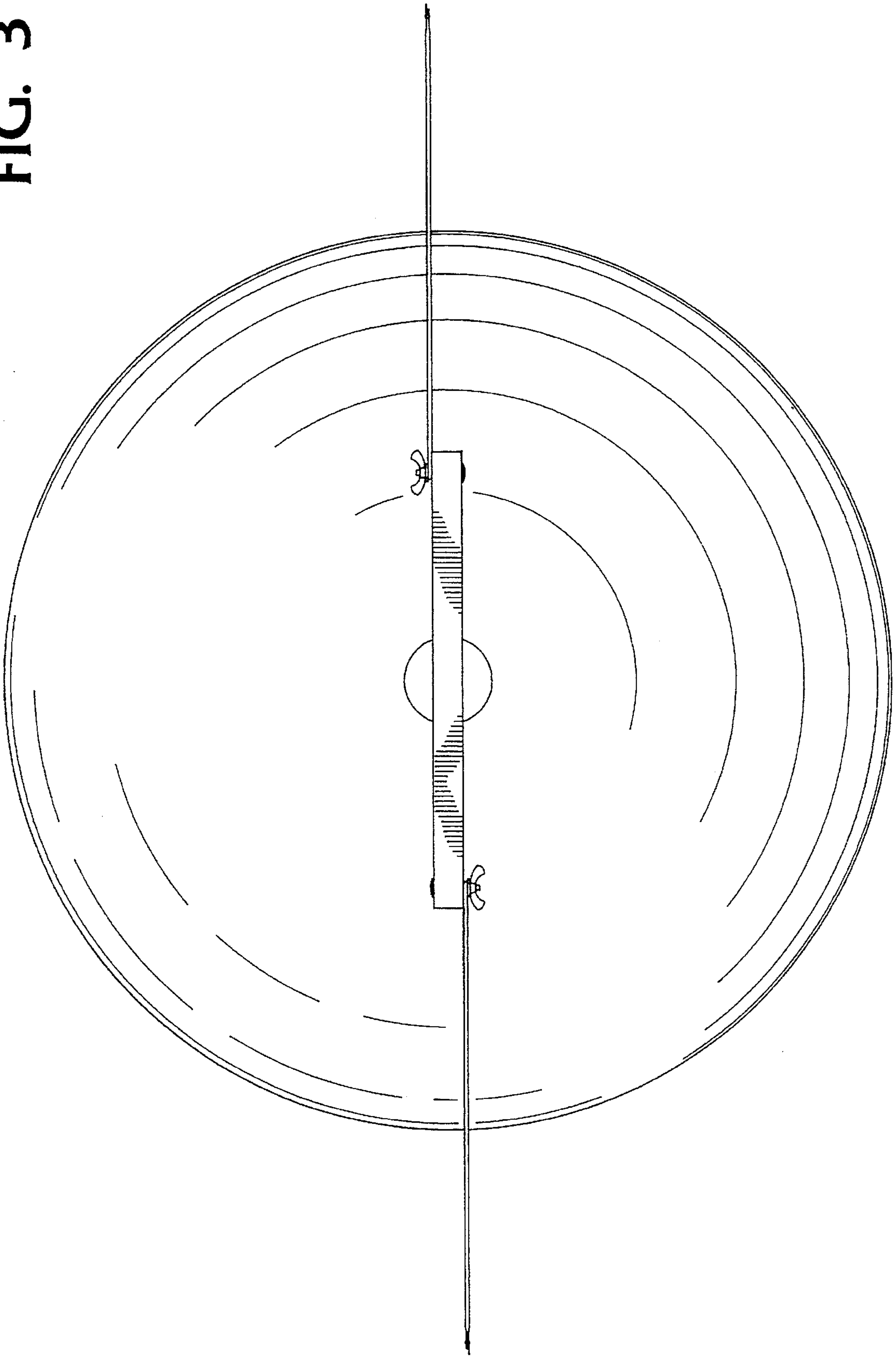


FIG. 4

