



US00D382377S

# United States Patent [19] Rothert

[11] Patent Number: **Des. 382,377**  
[45] Date of Patent: **\*\*Aug. 12, 1997**

## [54] CREEP FEEDER

[75] Inventor: **C. Rodney Rothert, Basco, Ill.**

[73] Assignee: **Hawkeye Steel Products, Inc.,  
Houghton, Iowa**

[\*\*] Term: **14 Years**

[21] Appl. No.: **51,923**

[22] Filed: **Mar. 19, 1996**

[51] LOC (6) Cl. .... **30-03**

[52] U.S. Cl. .... **D30/129**

[58] Field of Search ..... 119/61, 51.5, 464,  
119/475; D30/129, 130, 133; D7/624, 584

## [56] References Cited

### U.S. PATENT DOCUMENTS

D. 81,306	6/1930	Slick .....	D7/584
D. 236,064	7/1975	Balbo .....	D7/558
1,206,569	11/1916	Marsh .....	D7/584
1,705,004	3/1929	Dick .....	D7/584
2,372,073	3/1945	Flournoy .....	119/61
2,772,660	12/1956	Saul .....	119/61
2,789,537	4/1957	Bailey .....	119/61
2,813,509	11/1957	Bruno .	
3,051,303	8/1962	Daanen et al. ....	D7/540
3,202,131	8/1965	Jones .....	119/61
3,361,116	1/1968	Daniel et al. ....	119/464
5,224,443	7/1993	Leslie .....	119/51.5
5,363,802	11/1994	Huff .....	119/475
5,406,909	4/1995	Wenstrand .....	119/61

## FOREIGN PATENT DOCUMENTS

109533	12/1940	Australia .....	119/41
1187812	9/1959	France .....	119/61
257385	3/1913	Germany .....	119/61
4118066	12/1992	Germany .....	119/61
25366	of 1904	United Kingdom .....	119/61
149814	12/1920	United Kingdom .....	119/61

## OTHER PUBLICATIONS

Popular Mechanics; Aug. 1939; p. 276; "Twig Holds Sandwich Plate".

*Primary Examiner*—Cathy Anne MacCormac  
*Attorney, Agent, or Firm*—Robert A. Brown

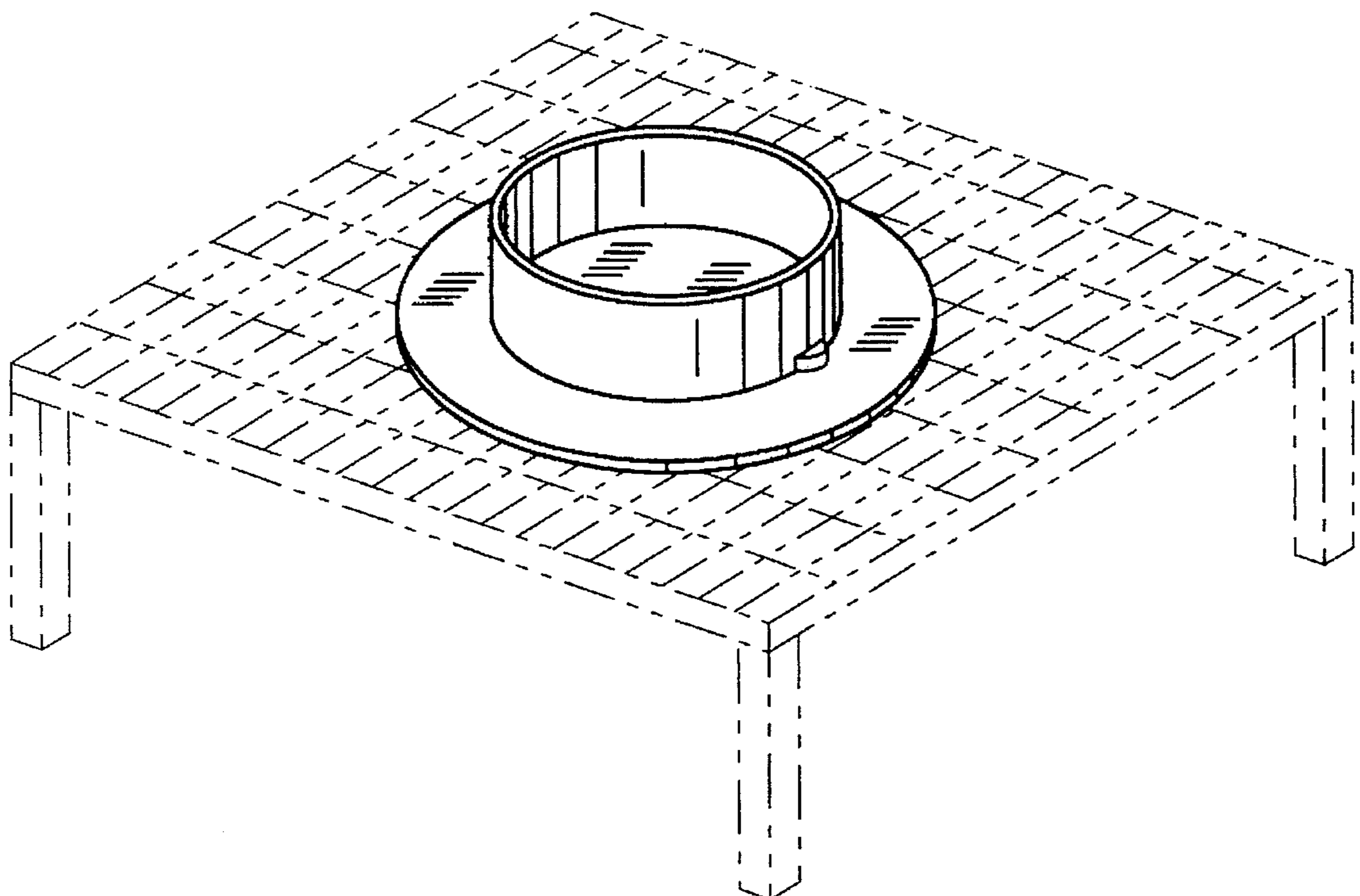
## [57] CLAIM

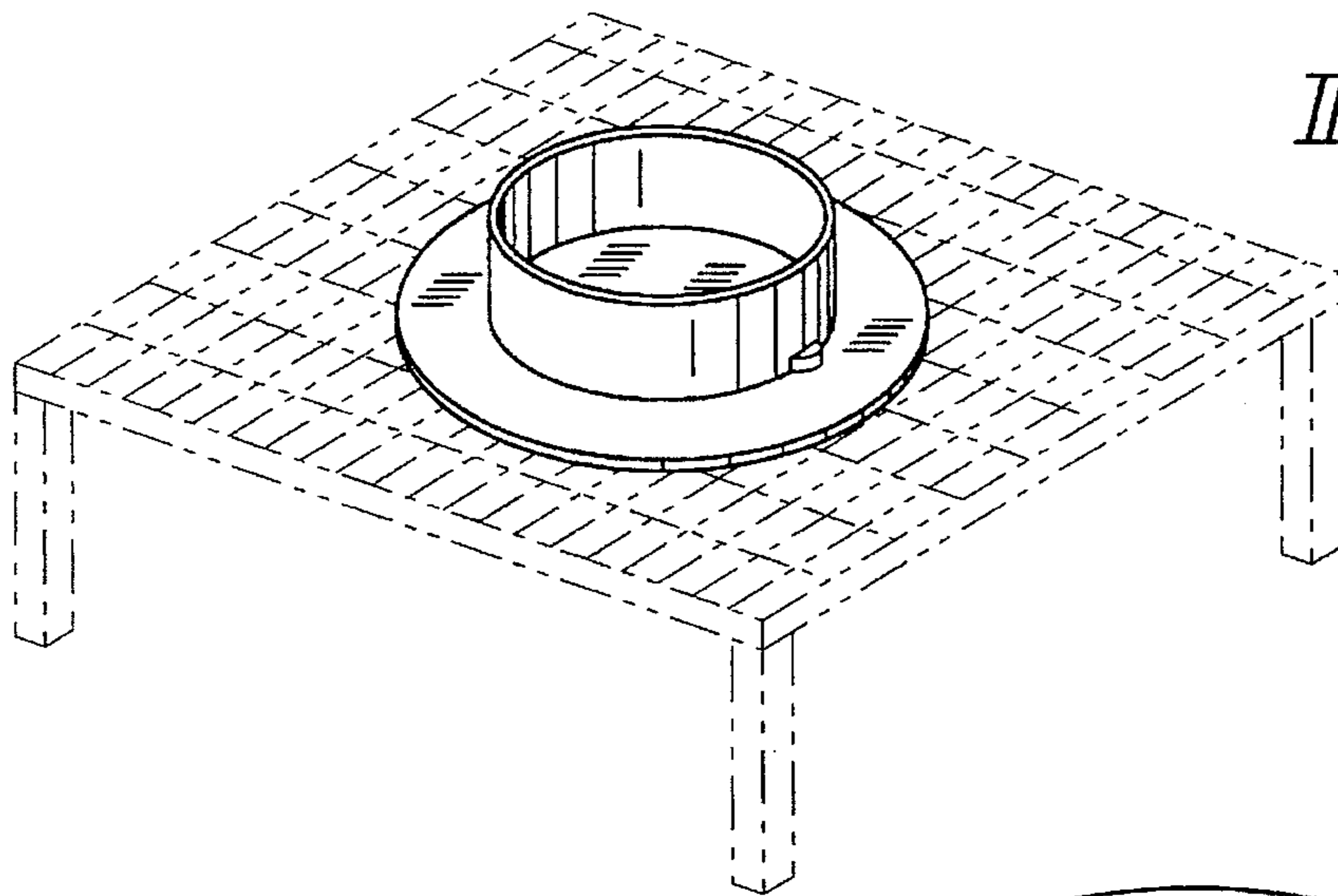
The ornamental design for a creep feeder, as shown and described.

## DESCRIPTION

FIG. 1 is a perspective view of a creep feeder showing my new design, the broken lines are for illustration only and form no part of the claimed design;  
FIG. 2 is an enlarged perspective view thereof;  
FIG. 3 is an enlarged side elevational view thereof;  
FIG. 4 is an upper side perspective view thereof;  
FIG. 5 is an under side perspective view thereof;  
FIG. 6 is a top plan view thereof; and,  
FIG. 7 is a bottom plan view thereof.

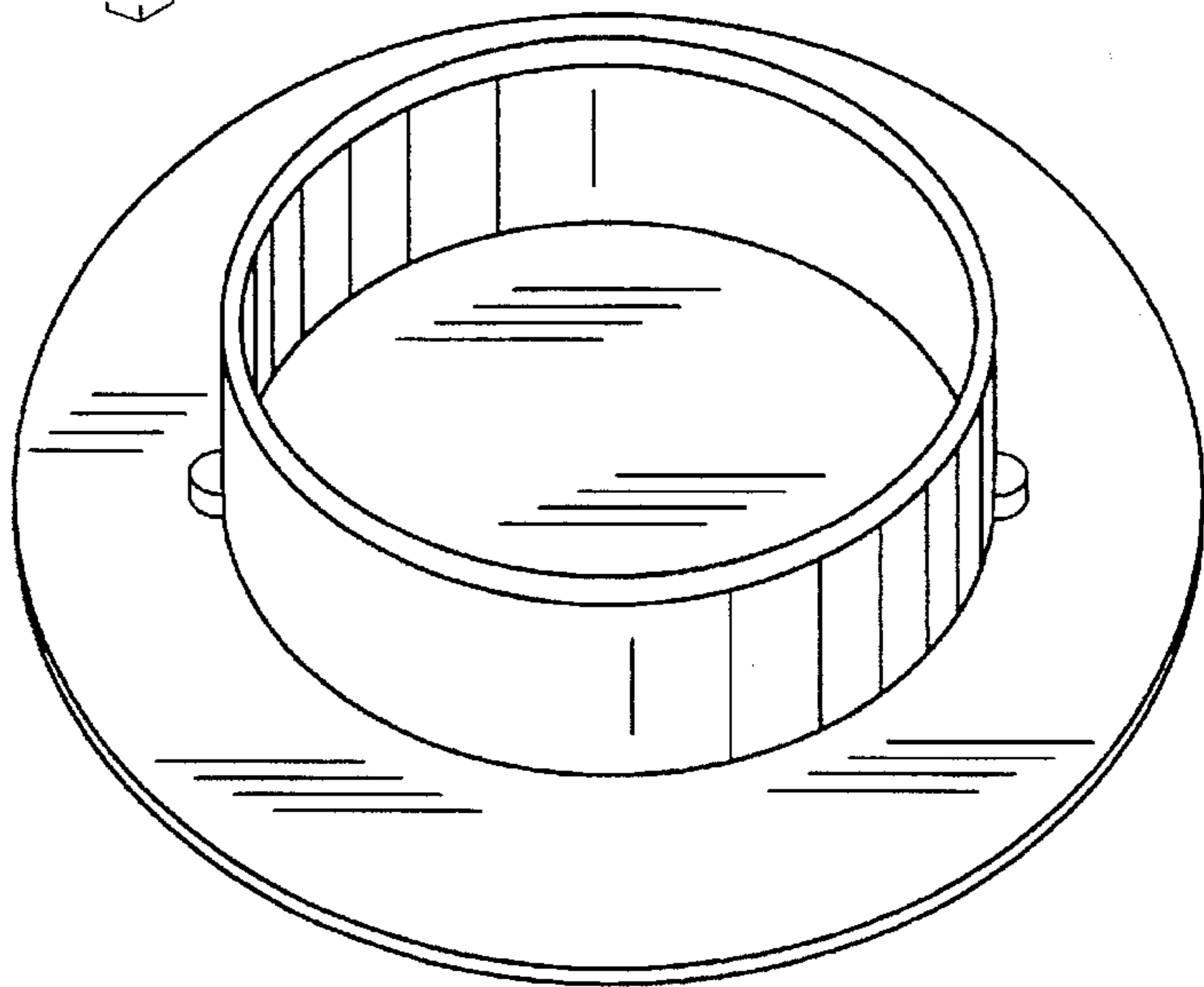
**1 Claim, 2 Drawing Sheets**



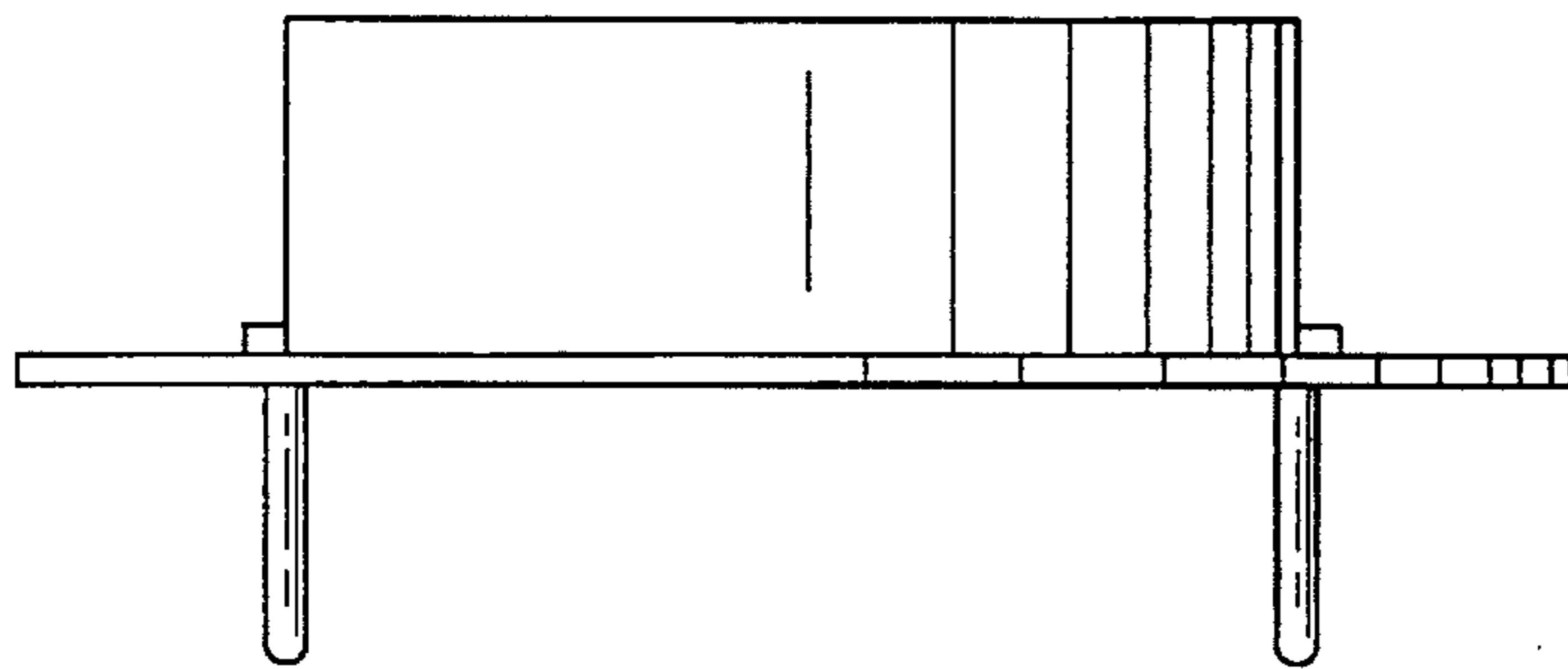


*FIG. 1*

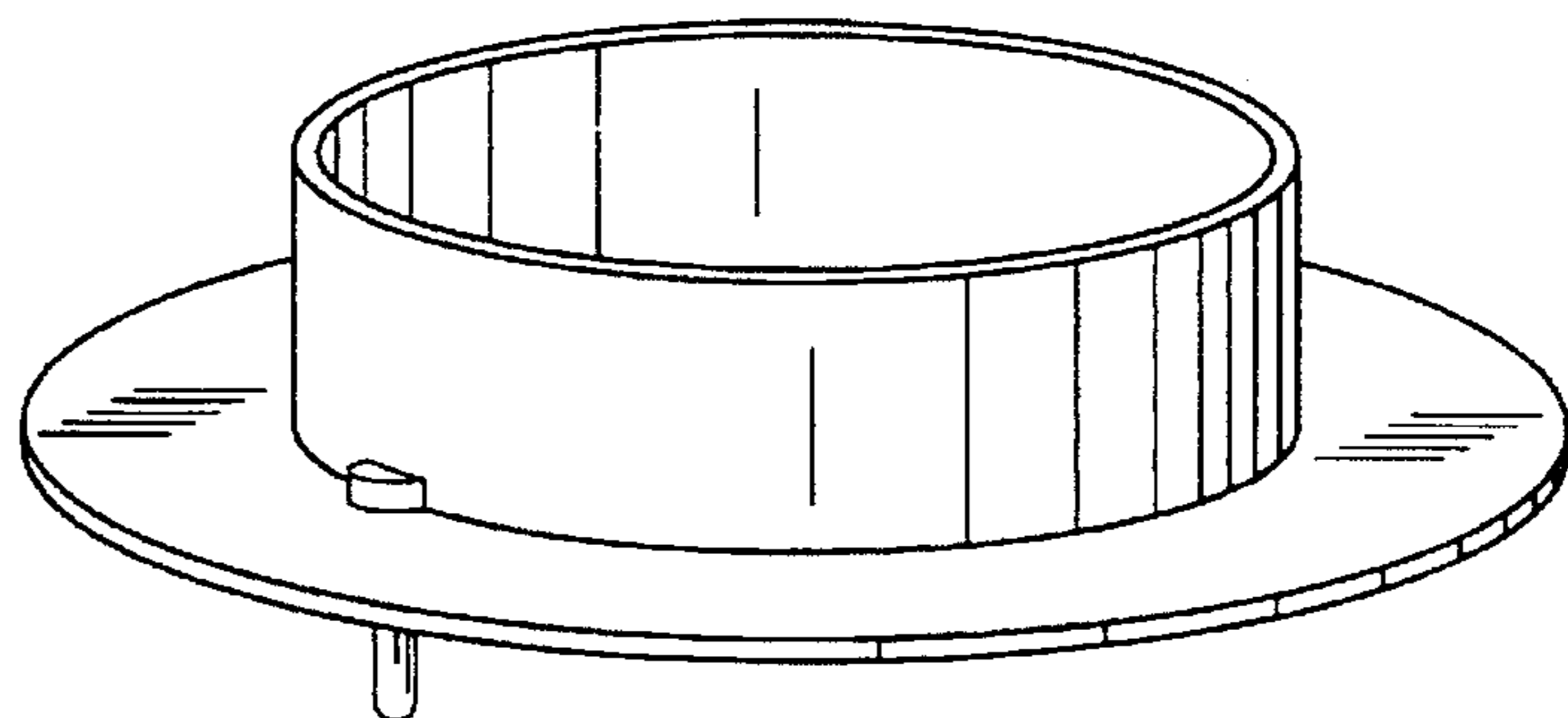
*FIG. 2*



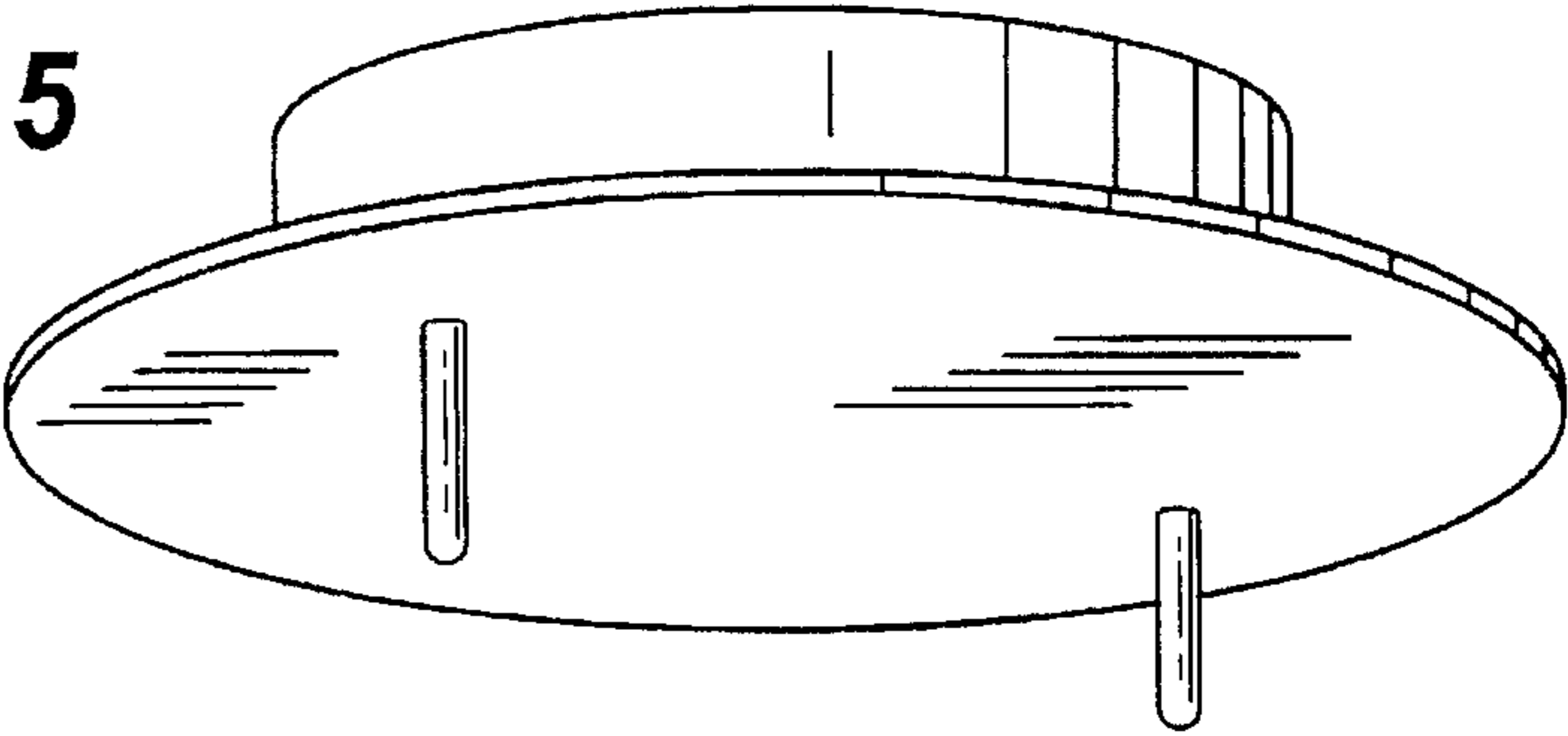
*FIG. 3*



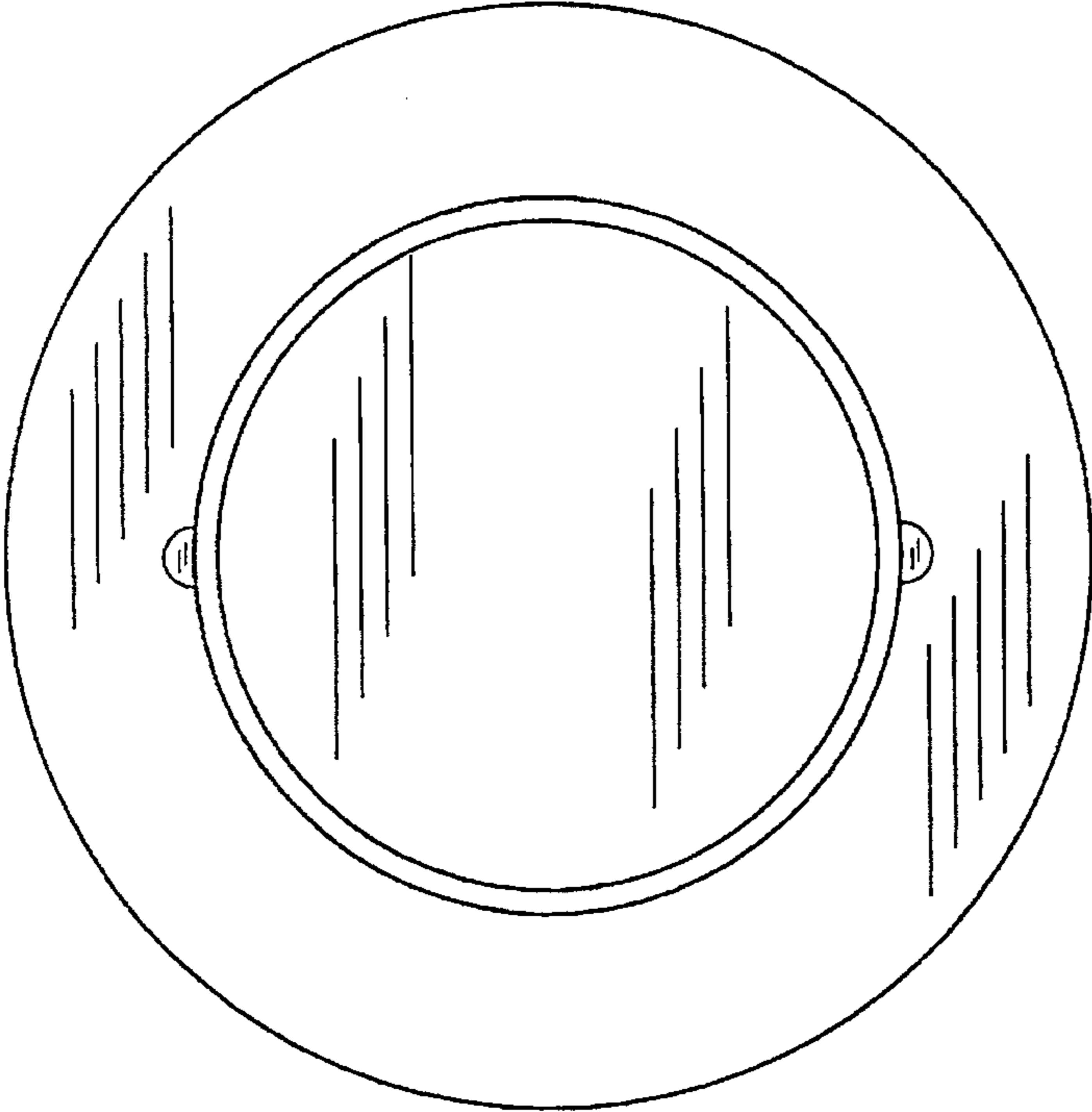
*FIG. 4*



*FIG. 5*



*FIG. 6*



*FIG. 7*

