



US00D382376S

United States Patent [19]

Bescherer

[11] Patent Number: **Des. 382,376**

[45] Date of Patent: ****Aug. 12, 1997**

[54] **HUMMINGBIRD FEEDER**

[75] Inventor: **Robert E. Bescherer**, Bristol, R.I.

[73] Assignee: **Aspects, Inc.**, Warren, R.I.

[**] Term: **14 Years**

[21] Appl. No.: **55,894**

[22] Filed: **Jun. 14, 1996**

[51] LOC (6) Cl. **30-03**

[52] U.S. Cl. **D30/124**

[58] Field of Search 119/52.2-52.3,
119/57.8-57.9, 77, 61, 53; D20/121, 124

[56] **References Cited**

U.S. PATENT DOCUMENTS

D. 239,182	3/1976	Kilham .	
D. 360,710	7/1995	Colwell	D30/124
D. 368,336	3/1996	Brown	D30/124
2,866,435	12/1958	Blazier	119/53
3,913,527	10/1975	Kilham	119/74
5,062,390	11/1991	Bescherer et al.	119/72

5,247,904	9/1993	Anderson	119/77
5,269,258	12/1993	Brown	119/57.9
5,303,674	4/1994	Hyde, Jr.	119/77

OTHER PUBLICATIONS

Audubon Workshop Catalog; p. 30; #2503 Droll Yankee Hummer Station.

Primary Examiner—Cathy Anne MacCormac
Attorney, Agent, or Firm—Albert W. Hilburger

[57] **CLAIM**

The ornamental design for a hummingbird feeder, as shown.

DESCRIPTION

FIG. 1 is a front top perspective view of a hummingbird feeder illustrating my new design; FIG. 2 is a top plan view thereof; FIG. 3 is a front elevational view thereof; and, FIG. 4 is a bottom plan view thereof. The broken lines in FIG. 1 are for purposes of illustration only and form no part of the claimed design.

1 Claim, 3 Drawing Sheets

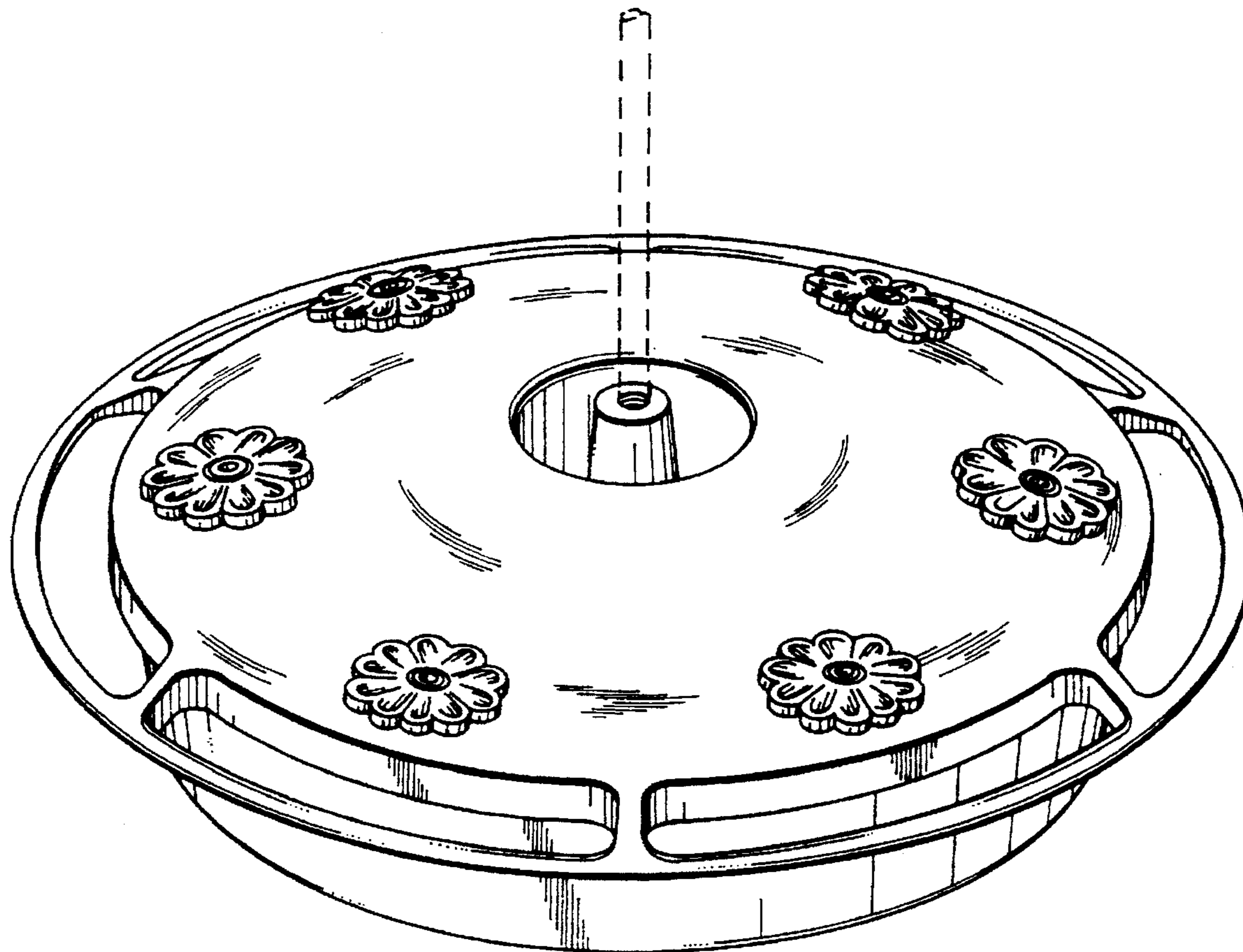


FIG. 1.

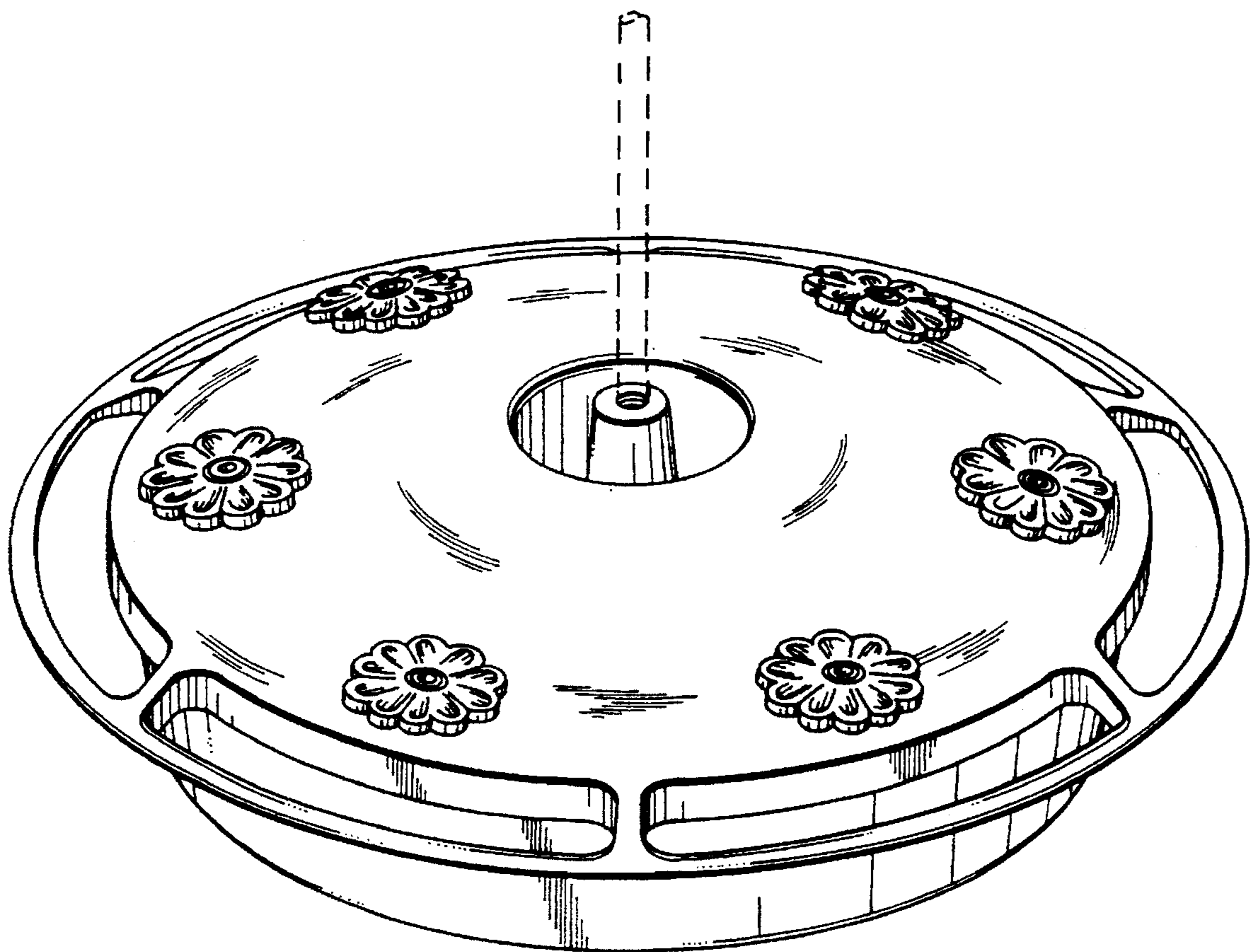


FIG. 2.

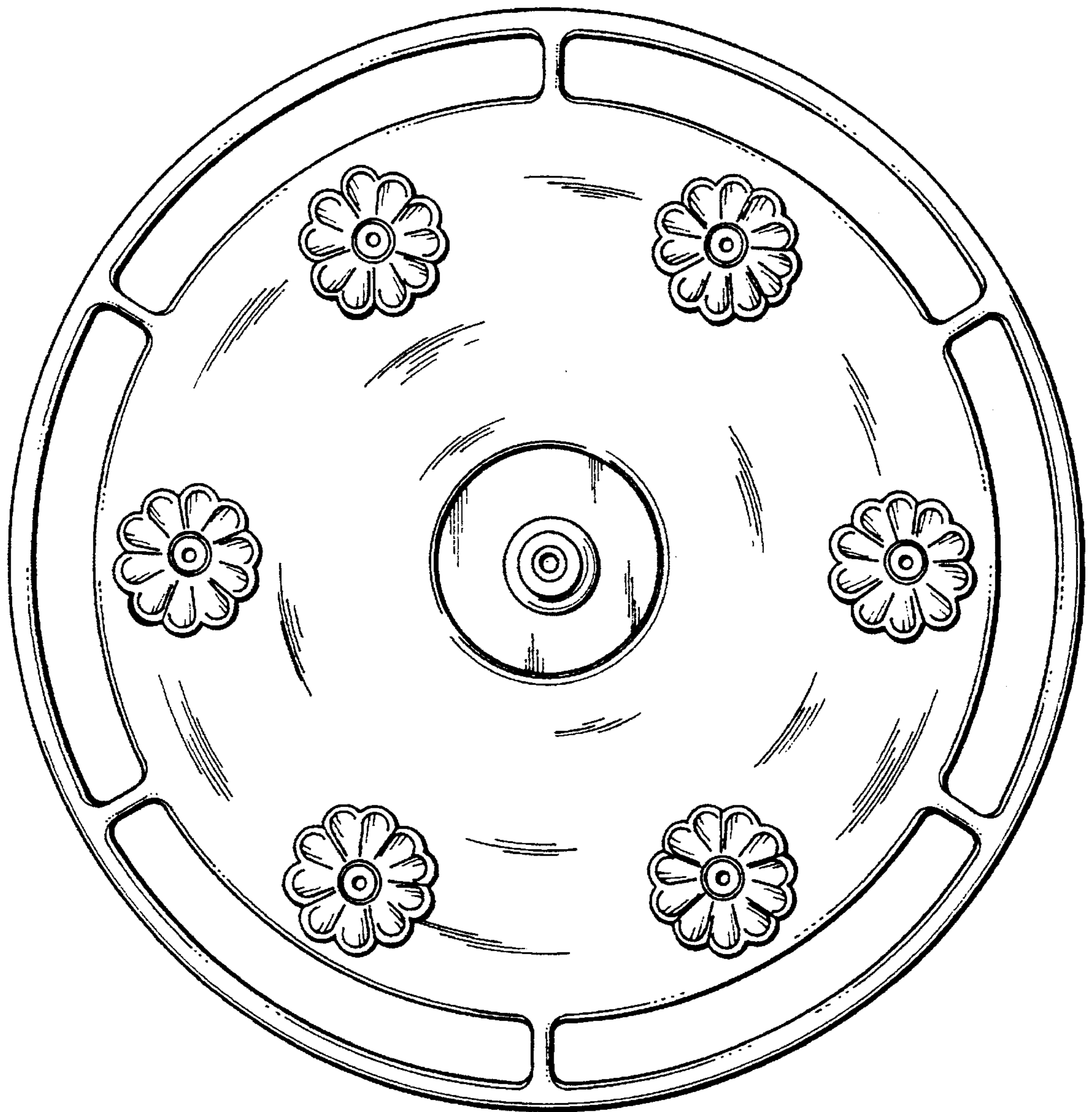


FIG. 3.

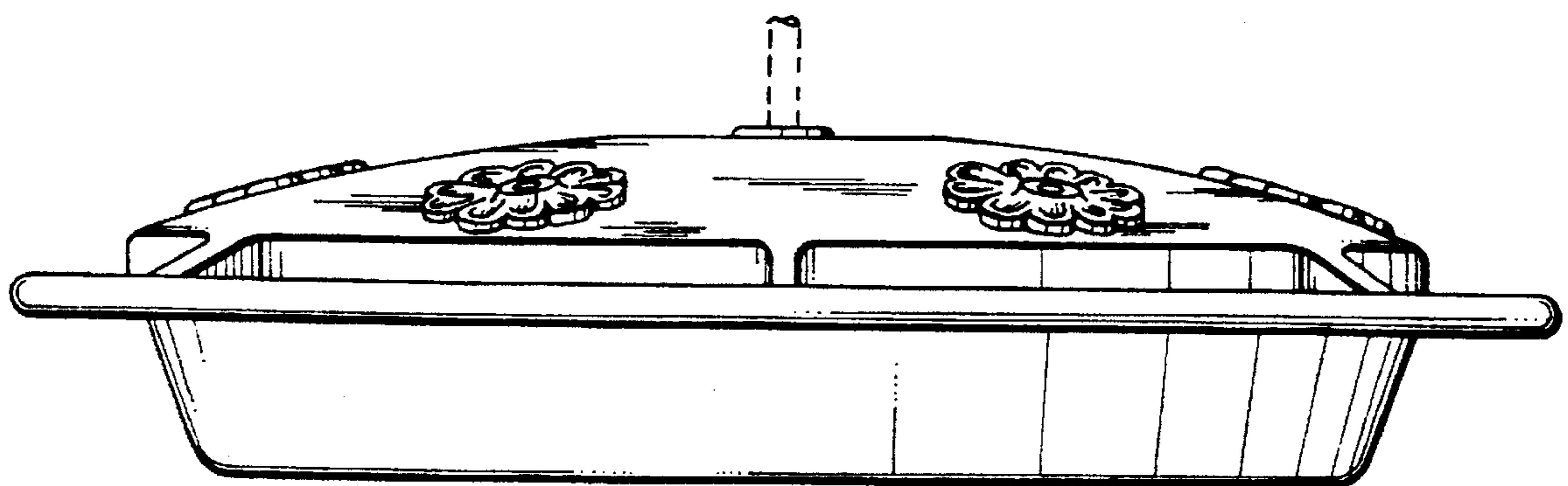


FIG. 4.

