



US00D382375S

United States Patent [19]
McInnes

[11] **Patent Number: Des. 382,375**
[45] **Date of Patent: **Aug. 12, 1997**

[54] **SINGLE TEAT FEEDER**

[76] **Inventor: Ross G. McInnes**, P.O. Box 115,
Waipu, New Zealand

[**] **Term: 14 Years**

[21] **Appl. No.: 54,683**

[22] **Filed: May 20, 1996**

[30] **Foreign Application Priority Data**

Nov. 22, 1995 [NZ] New Zealand 27207

[51] **LOC (6) Cl. 30-07**

[52] **U.S. Cl. D30/121; D30/132**

[58] **Field of Search D30/121, 131,**
D30/132, 133, 199; D7/700; D23/200;
119/71, 72.5

[56] **References Cited**

U.S. PATENT DOCUMENTS

D. 267,536 1/1983 Findlay D7/700
D. 337,863 7/1993 Howell D30/132
1,126,316 9/1915 Thiel 119/71

FOREIGN PATENT DOCUMENTS

531916 1/1941 United Kingdom 119/71

OTHER PUBLICATIONS

"R.C. Steele" Holiday pet supply catalog. p. 32, Innovative
Cage Feeder. Oct. 1994.

Brochure entitled "Milk Bar Teat" by McInnes Manufactur-
ing Ltd.

Primary Examiner—Louis S. Zarfes

Assistant Examiner—Gregory Andoll

Attorney, Agent, or Firm—Evenson, McKeown, Edwards &
Lenahan, P.L.L.C.

[57] **CLAIM**

The ornamental design for the single teat feeder, as shown.

DESCRIPTION

FIG. 1 is a side view of the single teat feeder;

FIG. 2 is a perspective view from the other side of the single
teat feeder;

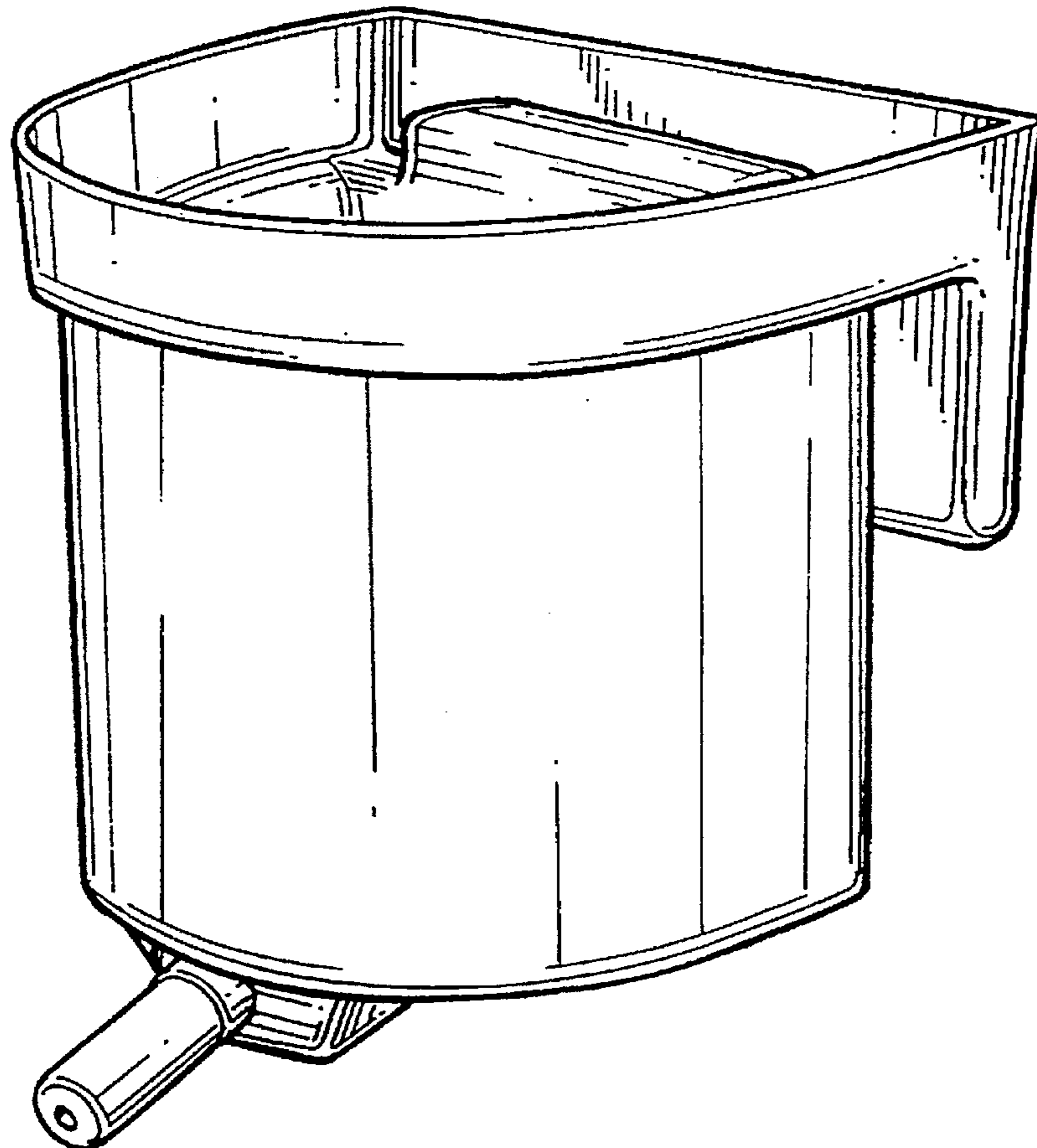
FIG. 3 is a top view of the single teat feeder;

FIG. 4 is a perspective view from below of the single teat
feeder;

FIG. 5 is a front view of the single teat feeder; and,

FIG. 6 is a view from below of the single teat feeder.

1 Claim, 3 Drawing Sheets



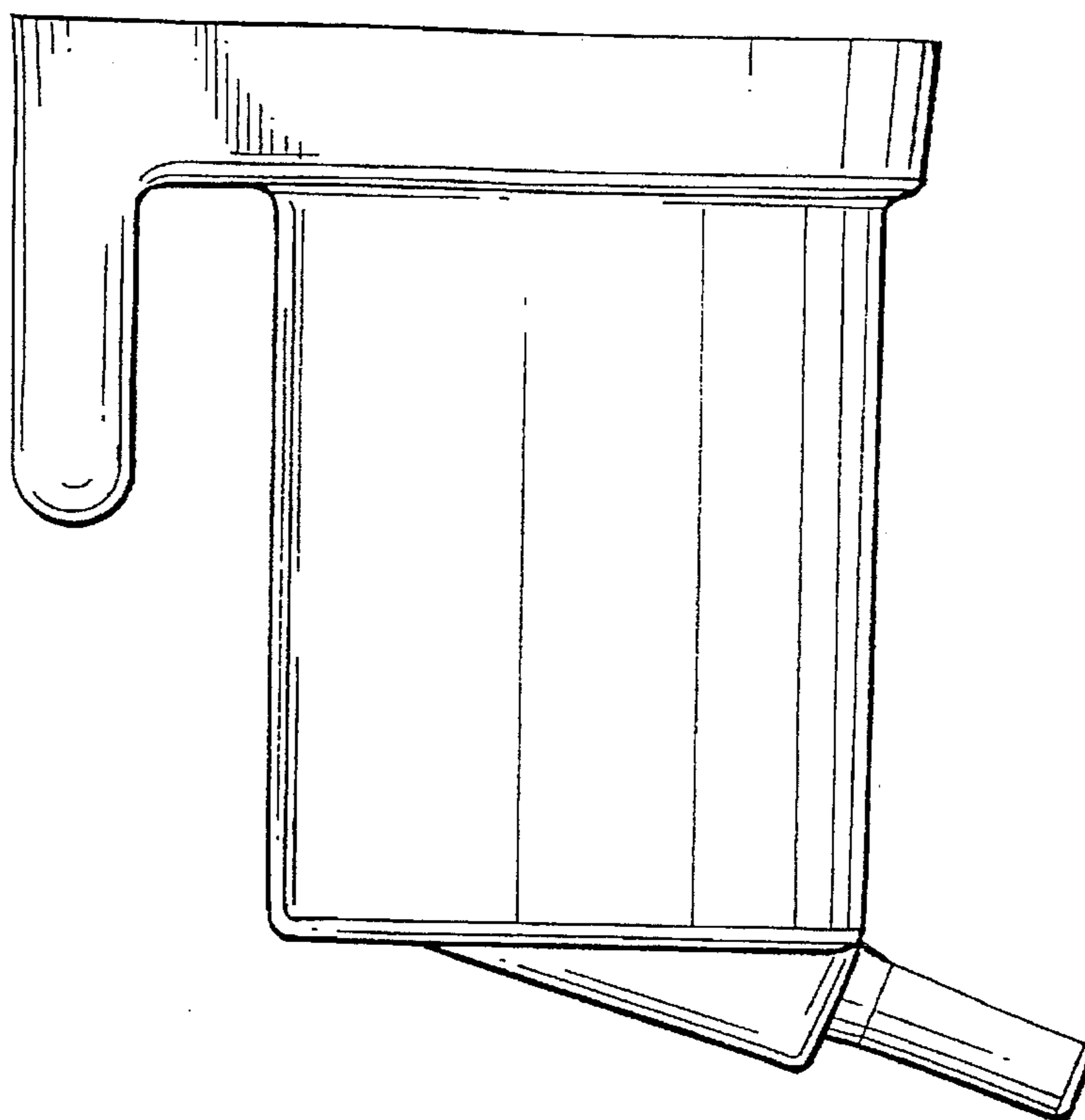


FIG. 1

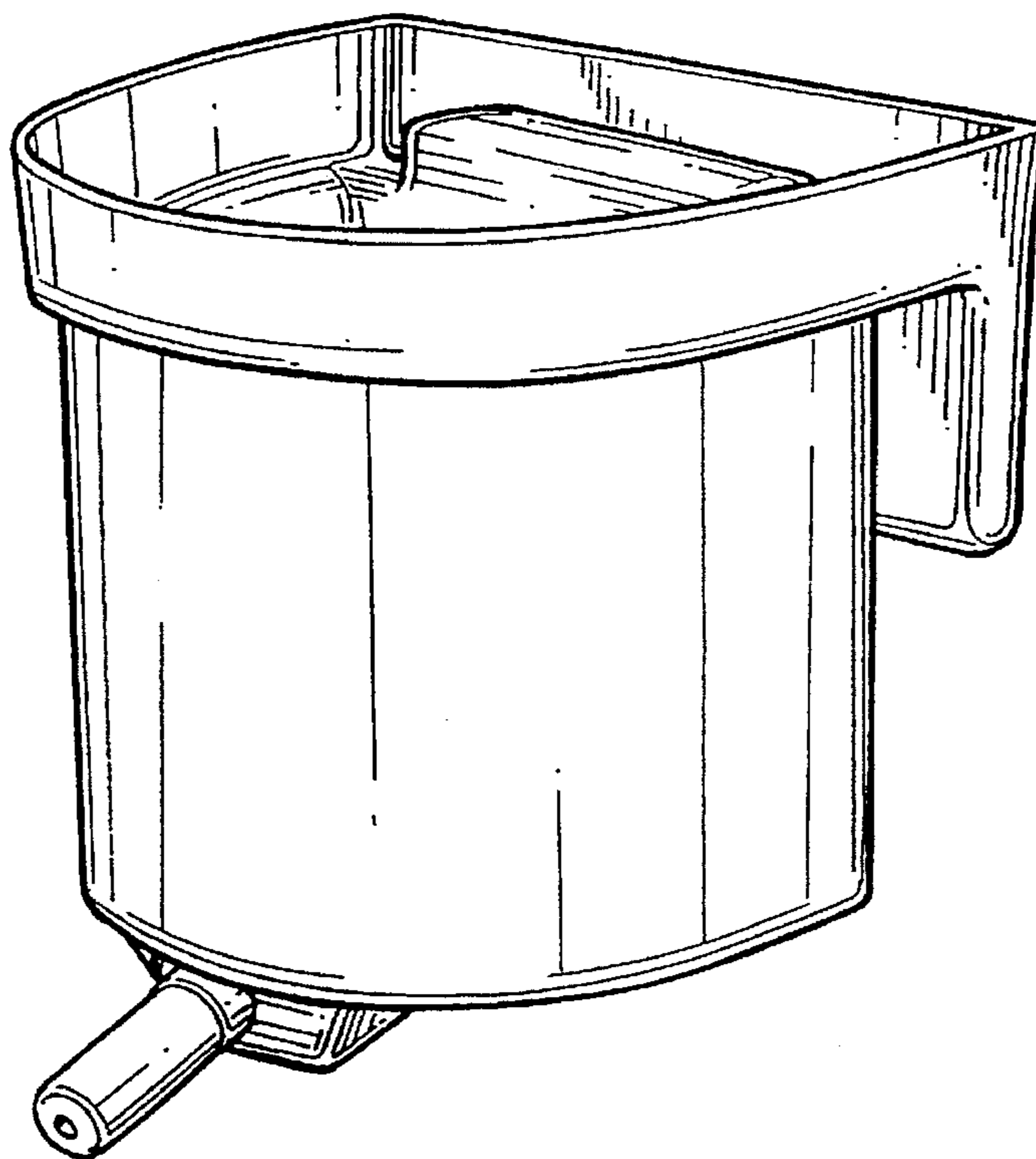


FIG. 2

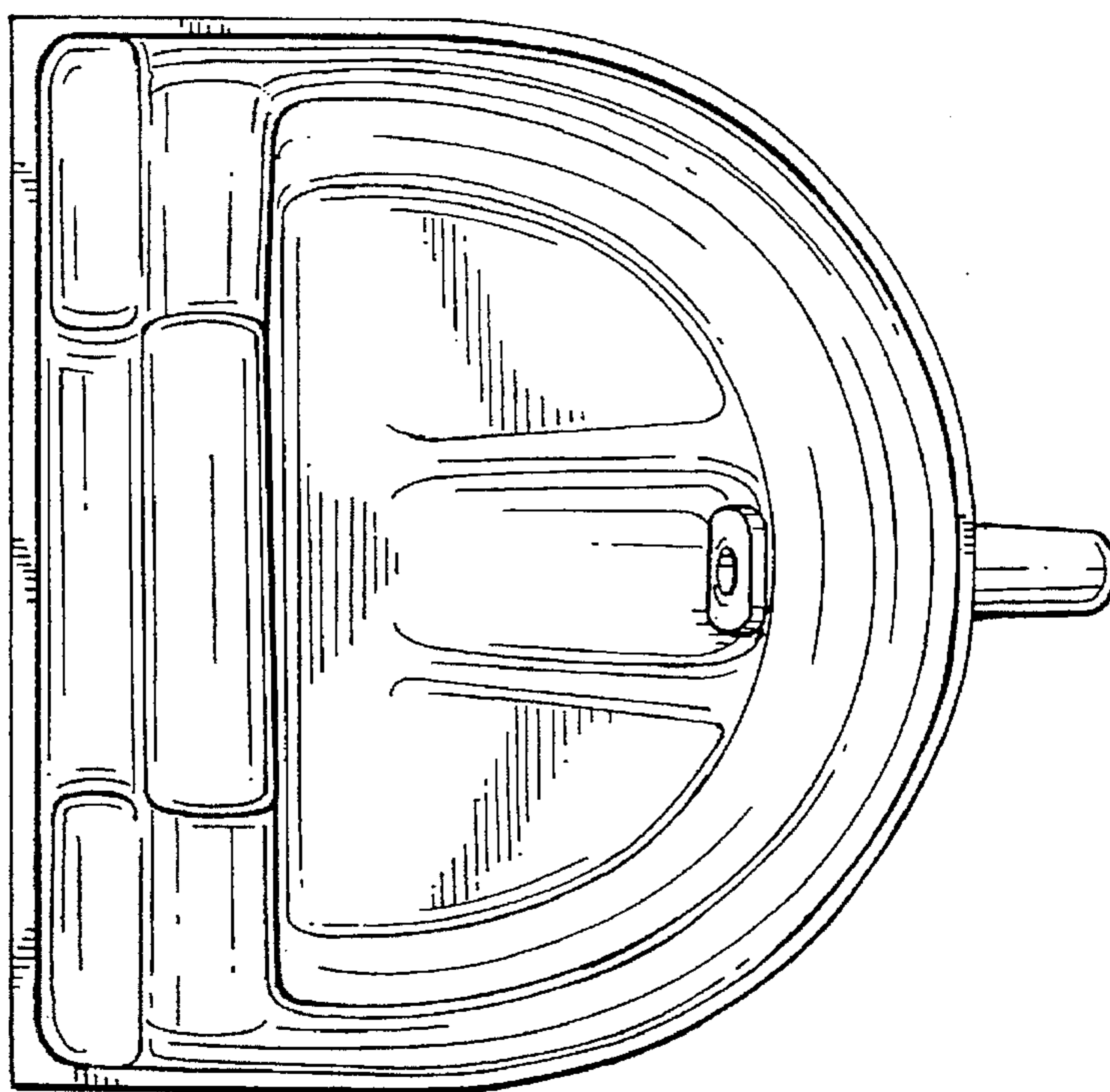


FIG. 3

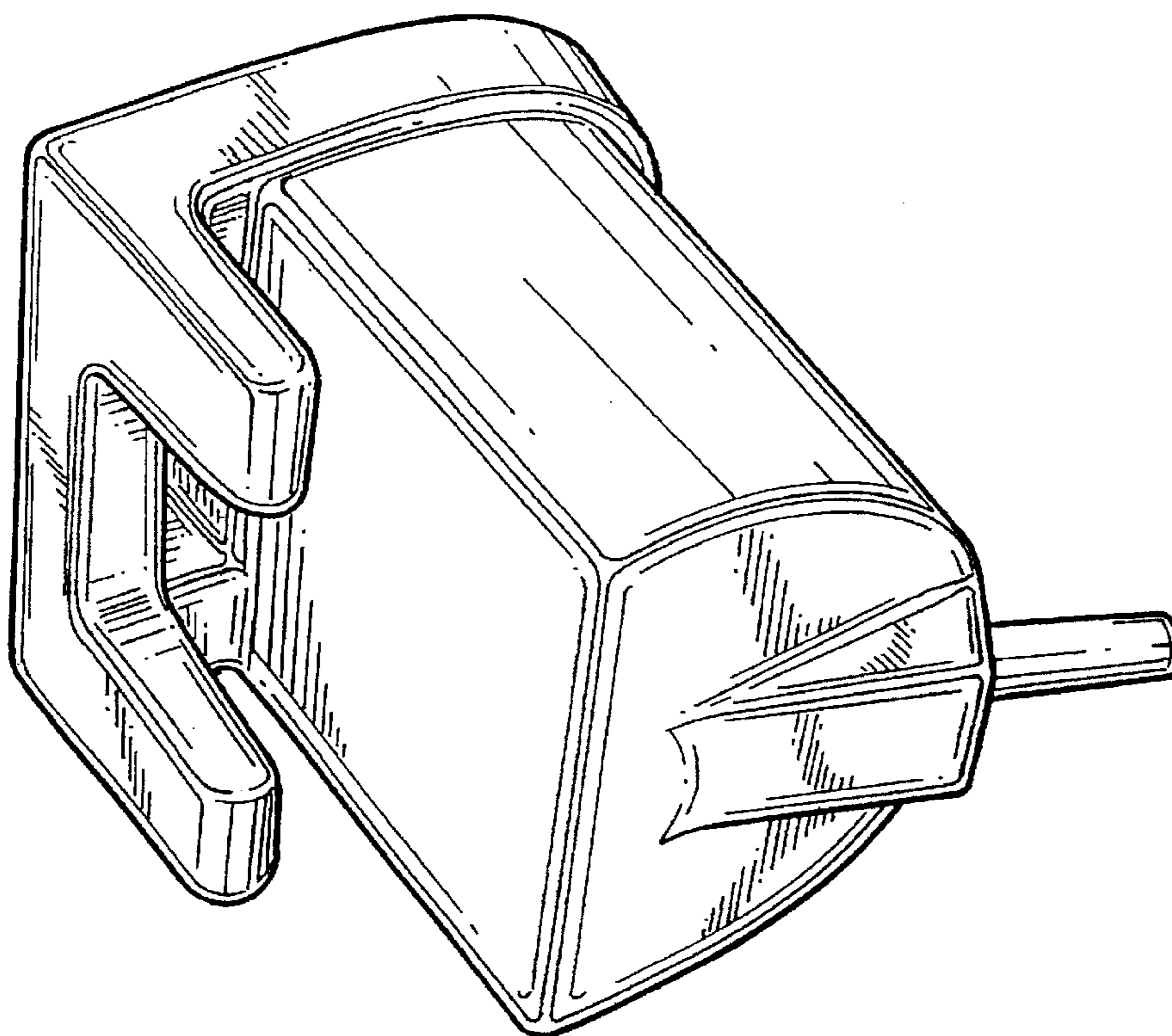


FIG. 4

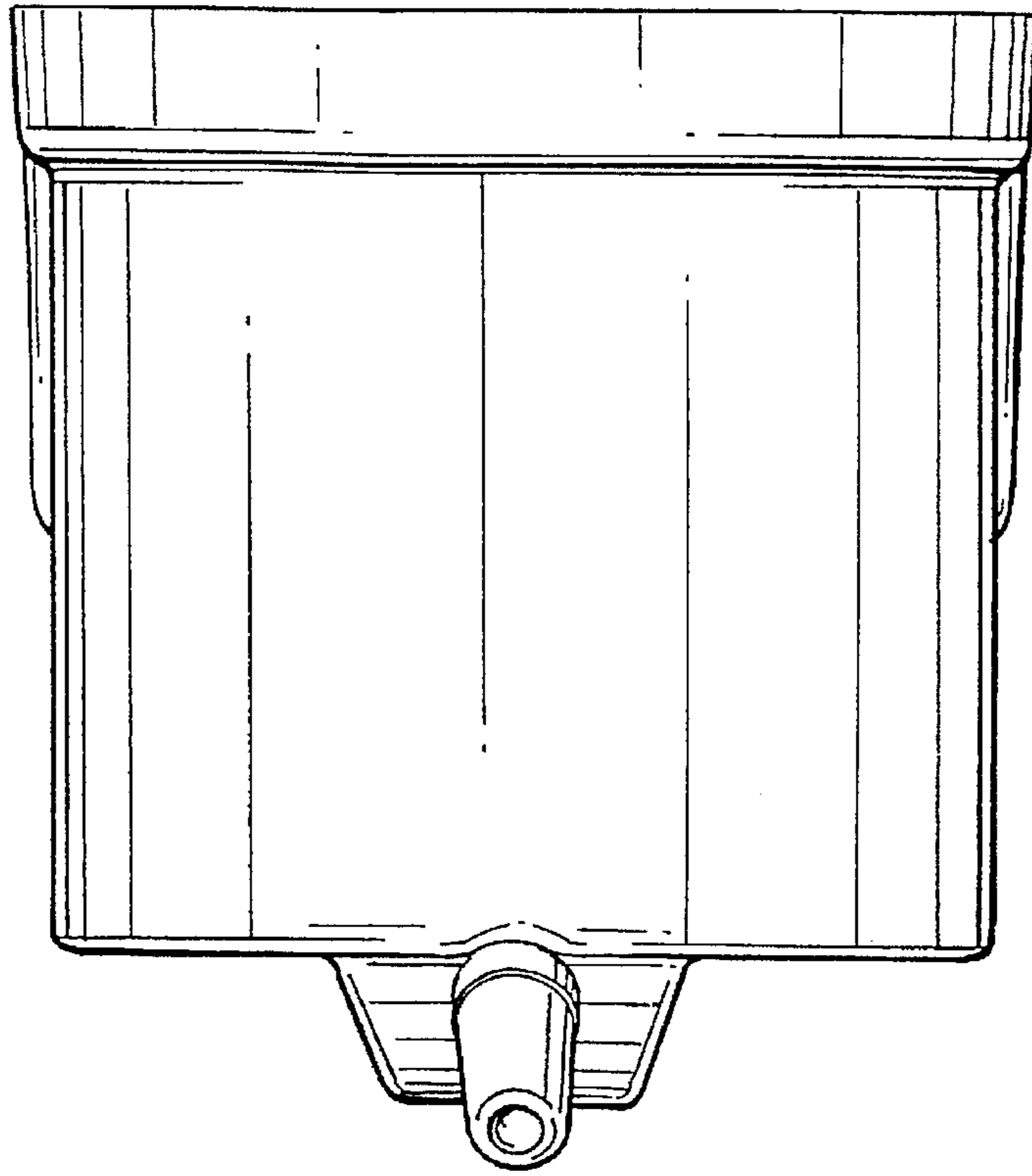


FIG. 5

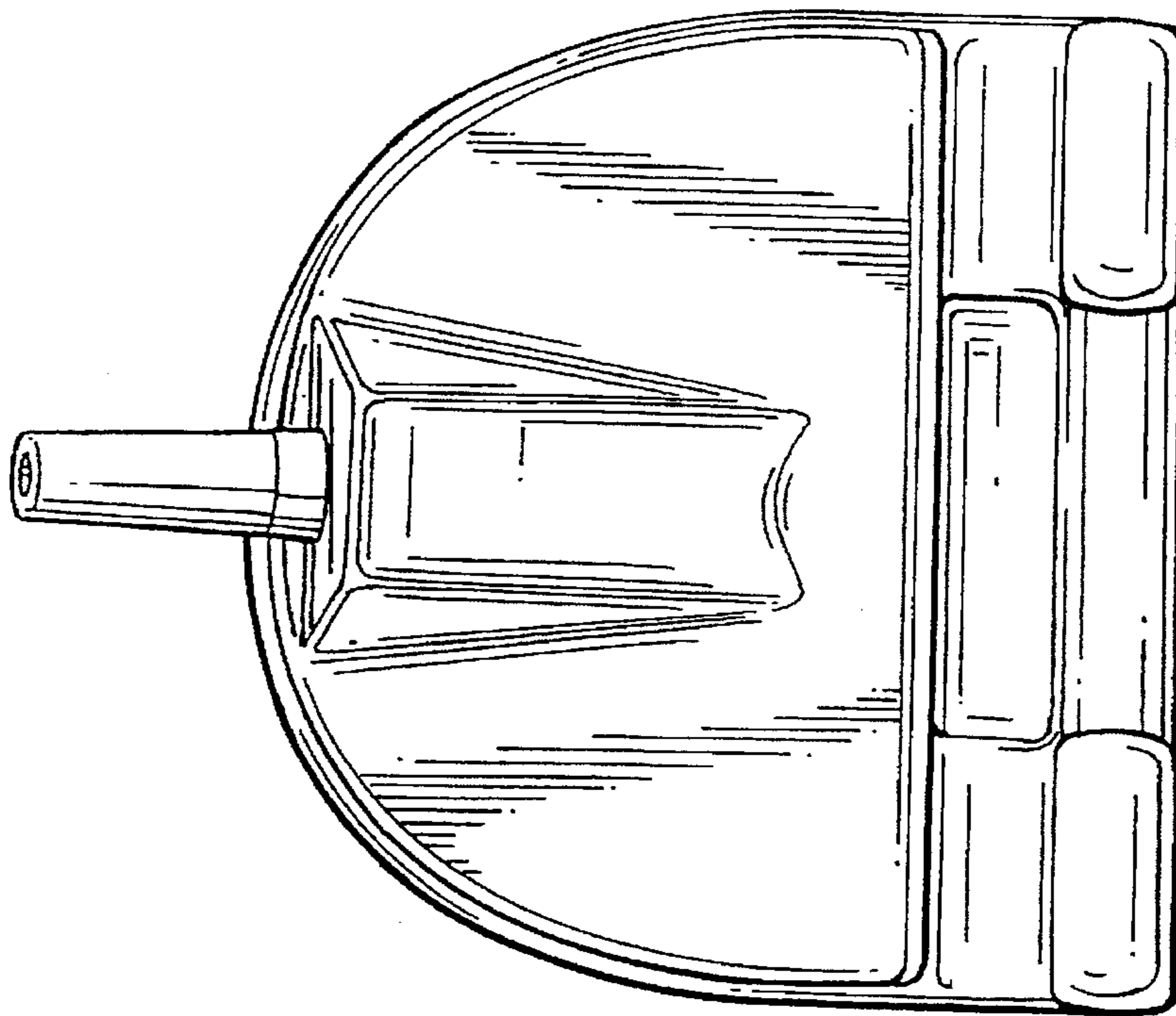


FIG. 6