



US00D382366S

United States Patent [19]

[11] Patent Number: Des. 382,366

Poulsen et al.

[45] Date of Patent: **Aug. 12, 1997

[54] LAMP

FOREIGN PATENT DOCUMENTS

[75] Inventors: **Svend Erik Poulsen**, Gistrup, Denmark; **Ellwood M. Fisher**, Hudson, Ohio

9009545 8/1990 WIPO .

[73] Assignee: **Nordlux A/S**, Aalborg, Denmark

OTHER PUBLICATIONS

[**] Term: **14 Years**

Home Lighting & Accessories, Sep. 1981, p. 41, Table Lamp (right).

[21] Appl. No.: **47,391**

Popular Mechanics, Apr. 1949, p. 197, Table Lamp (top right).

[22] Filed: **Dec. 1, 1995**

Primary Examiner—Susan J. Lucas

Related U.S. Application Data

[57] CLAIM

[60] Continuation of Ser. No. 36,133, Mar. 13, 1995, abandoned, which is a division of Ser. No. 877,023, May 1, 1992, abandoned.

The ornamental design for the lamp, as shown and described.

[51] LOC (6) Cl. **26-05**

DESCRIPTION

[52] U.S. Cl. **D26/92; D26/135**

FIG. 1 is a perspective view of the lamp showing our new design;

[58] Field of Search D26/128-135,

FIG. 2 is a top plan view thereof;

D26/87, 92, 125; 362/432

FIG. 3 is a front elevational view thereof; and,

FIG. 4 is a side elevational view thereof.

[56] References Cited

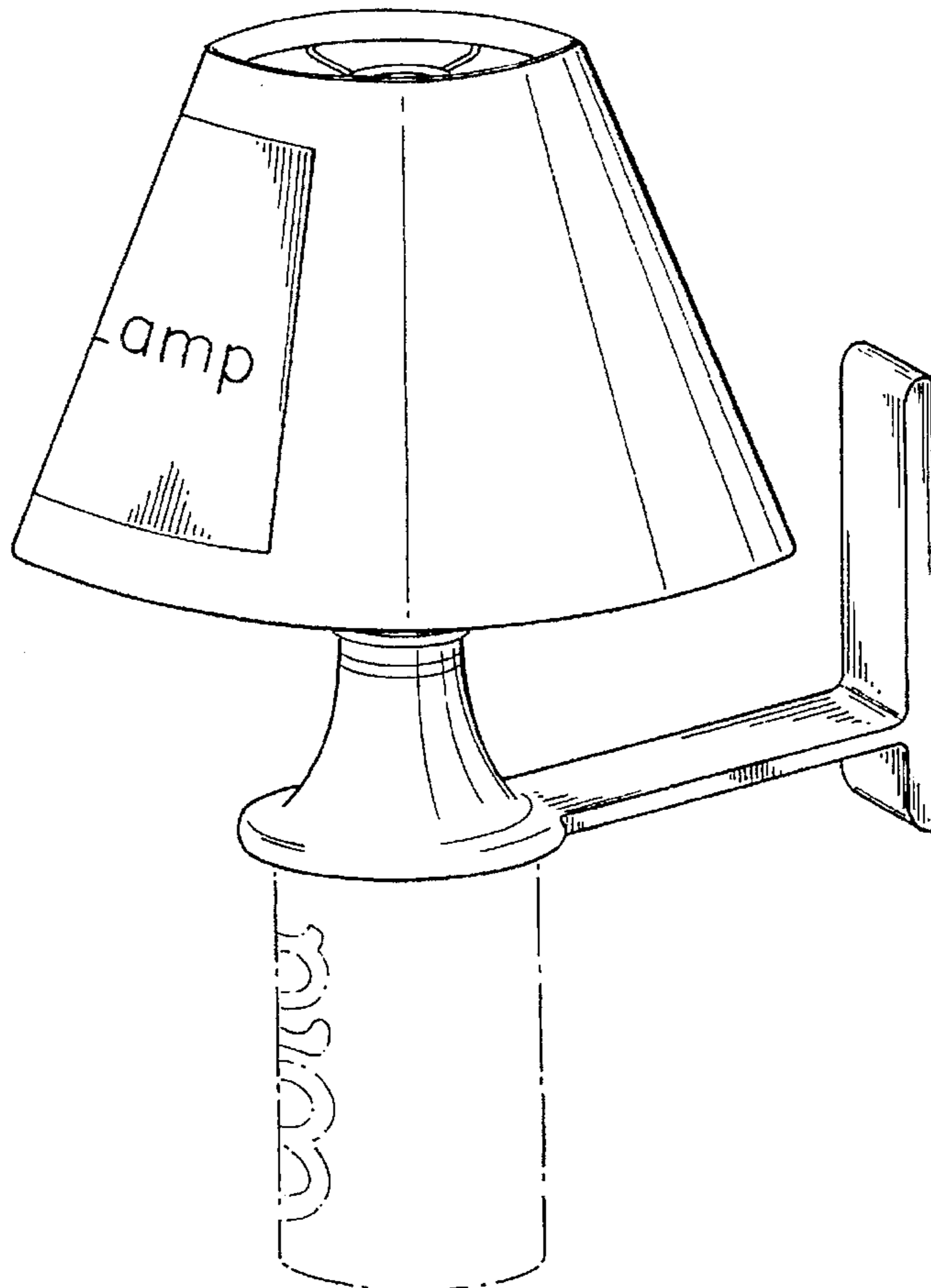
The broken lines are shown for illustrative purposes only and form no part of the claimed design.

U.S. PATENT DOCUMENTS

D. 226,578 3/1973 O'Neill D26/125

4,626,972 12/1986 Wolf 362/351 X

1 Claim, 4 Drawing Sheets



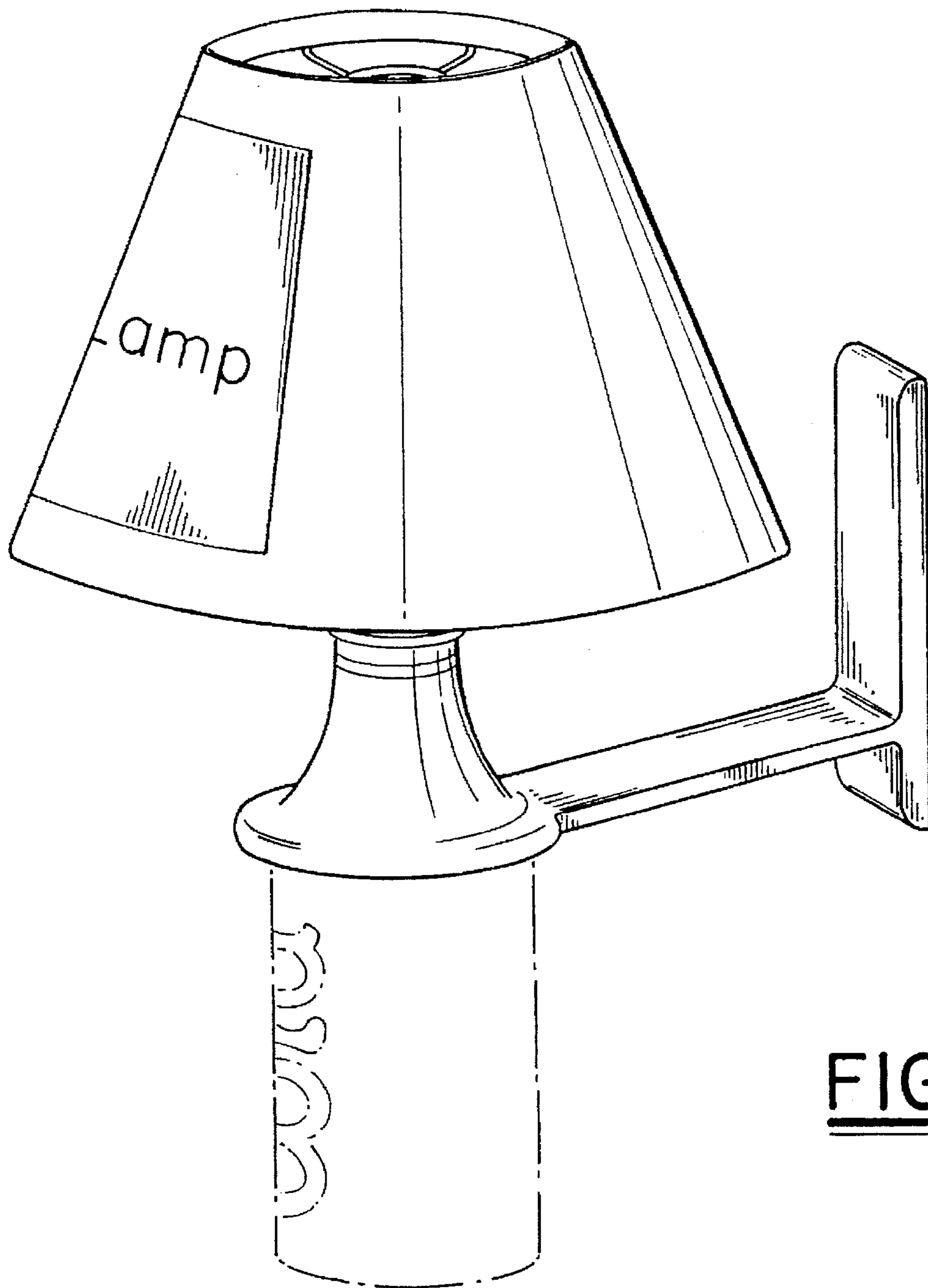


FIG.-1

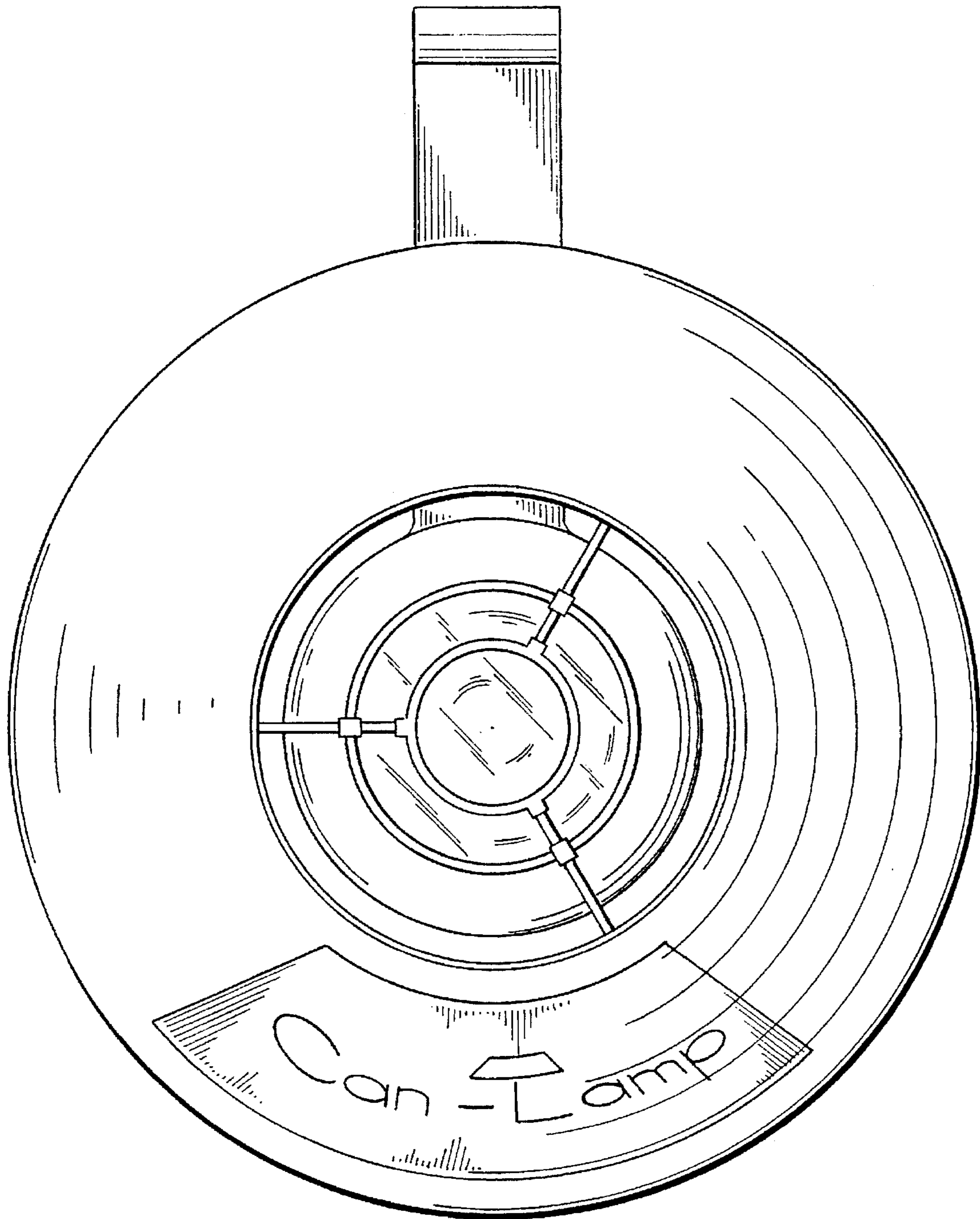


FIG. - 2

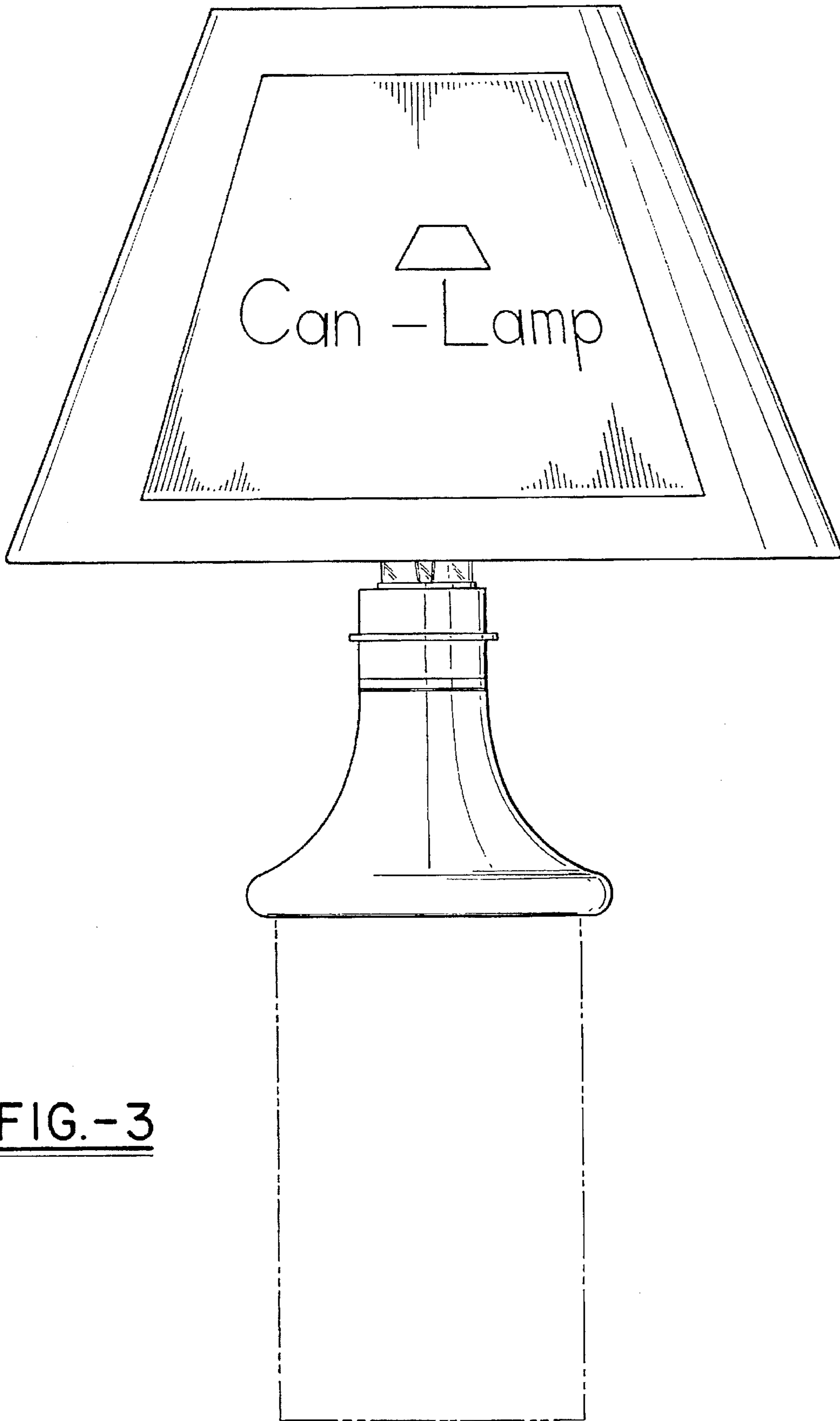


FIG.-3

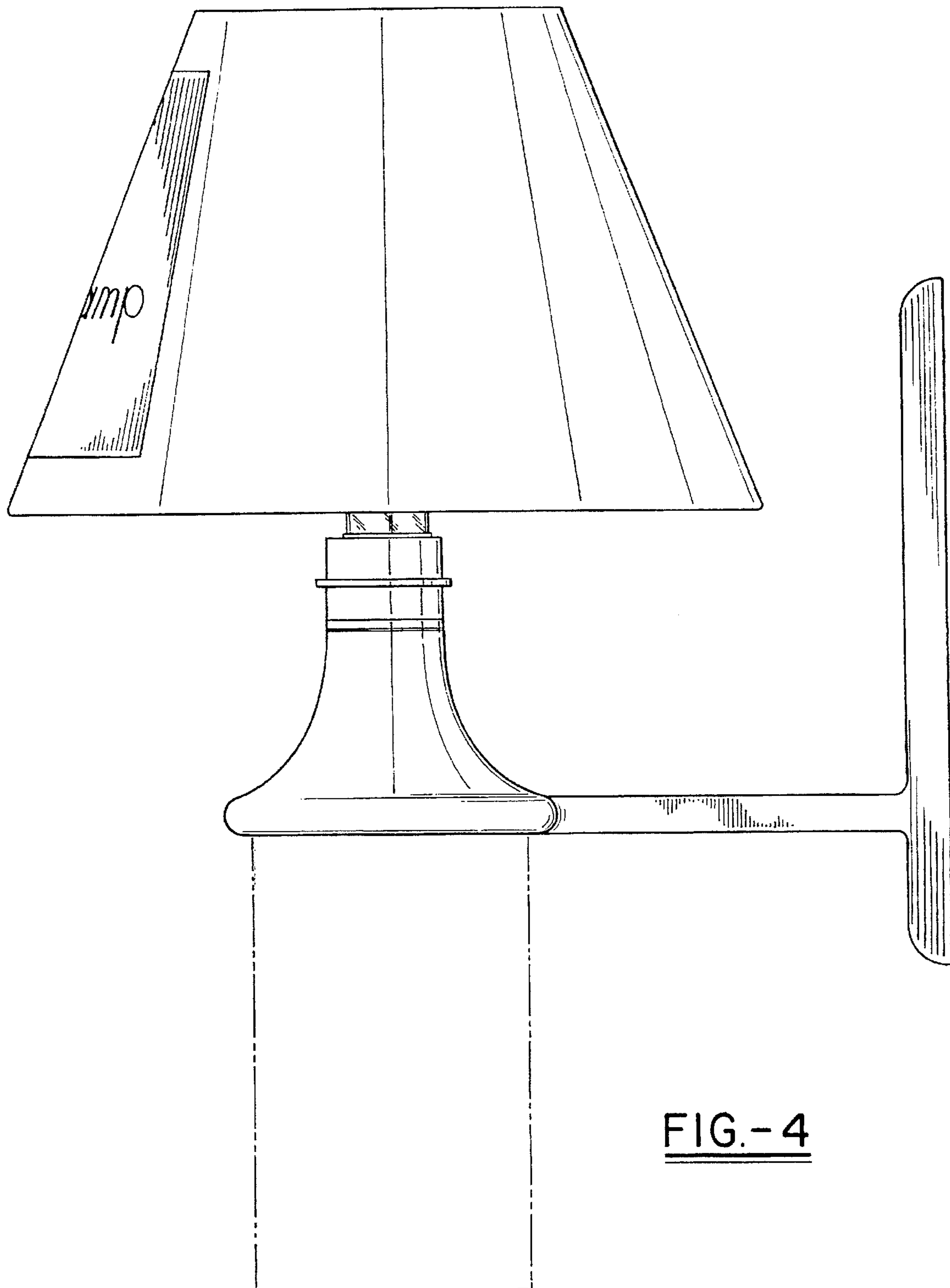


FIG.-4