



US00D382361S

United States Patent [19] Chan

[11] Patent Number: **Des. 382,361**
[45] Date of Patent: ****Aug. 12, 1997**

[54] SWING ARM LAMP

[75] Inventor: **Kam-Hoi Chan**, Shatin, Hong Kong

[73] Assignee: **Go-Gro Industries, Ltd.**, Kowloon Bay, Hong Kong

[**] Term: **14 Years**

[21] Appl. No.: **49,388**

[22] Filed: **Jan. 24, 1996**

[51] LOC (6) Cl. **26-05**

[52] U.S. Cl. **D26/65**

[58] Field of Search D26/60-66; 362/269, 362/275, 287, 410, 411, 413, 414, 418, 419, 428, 402

[56] References Cited

U.S. PATENT DOCUMENTS

3,041,060 6/1962 Jacobsen D26/60 X
4,238,816 12/1980 Merlo 362/419 X

FOREIGN PATENT DOCUMENTS

480537 7/1978 Japan D26/62

Primary Examiner—Susan J. Lucas

Attorney, Agent, or Firm—Merchant, Gould, Smith, Edell, Welter & Schmidt, P.A.

[57] CLAIM

The ornamental design for a swing arm lamp, as shown and described.

DESCRIPTION

FIG. 1 is a perspective view of a swing arm lamp showing my new design;

FIG. 2 is a front elevational view thereof, the rear being a mirror image but for the omission of the triangular knobs on the pivots of the adjustable arm;

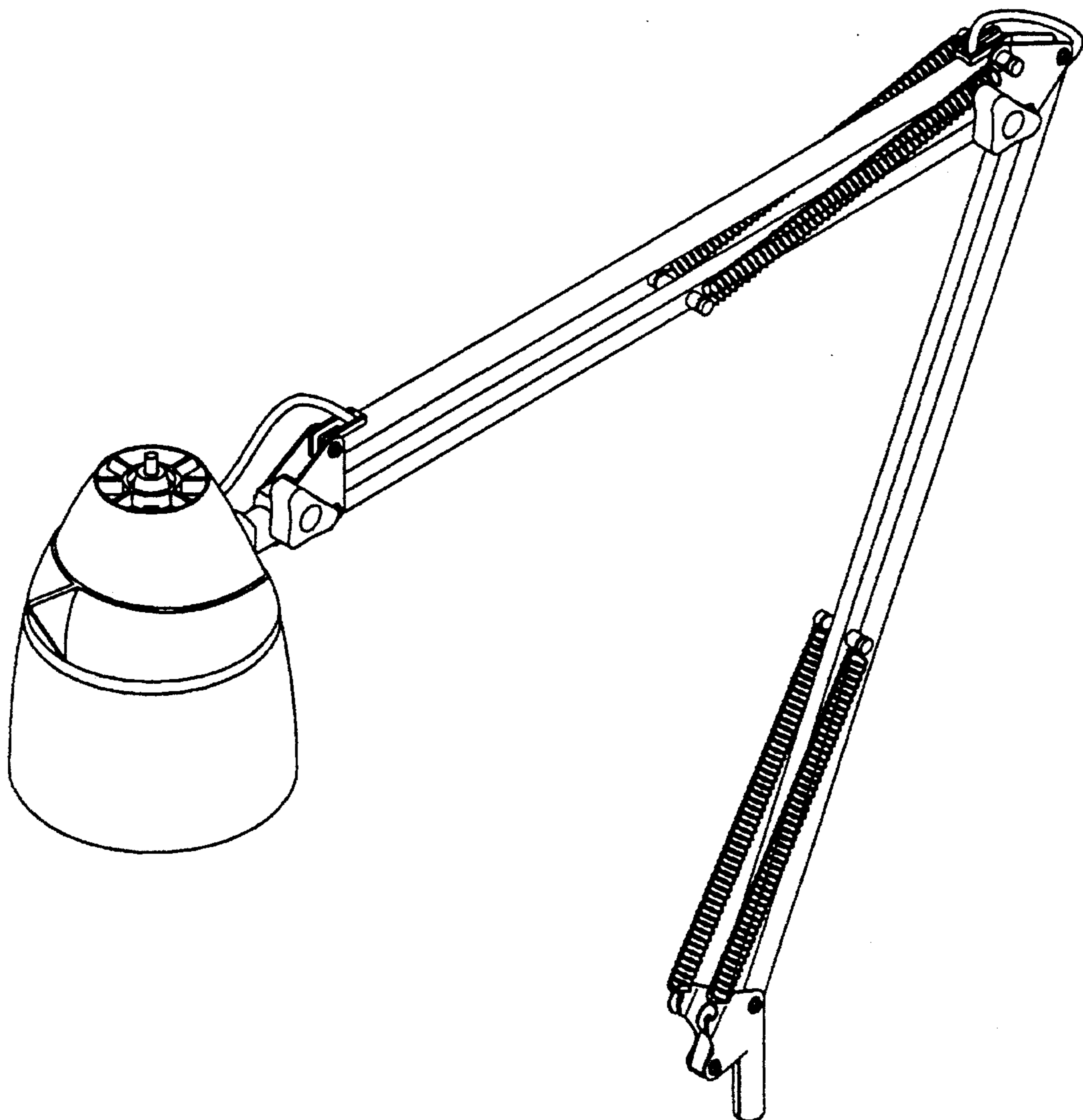
FIG. 3 is a right side elevational view thereof;

FIG. 4 is a left side elevational view thereof;

FIG. 5 is a top plan view thereof; and,

FIG. 6 is a bottom plan view thereof.

1 Claim, 6 Drawing Sheets



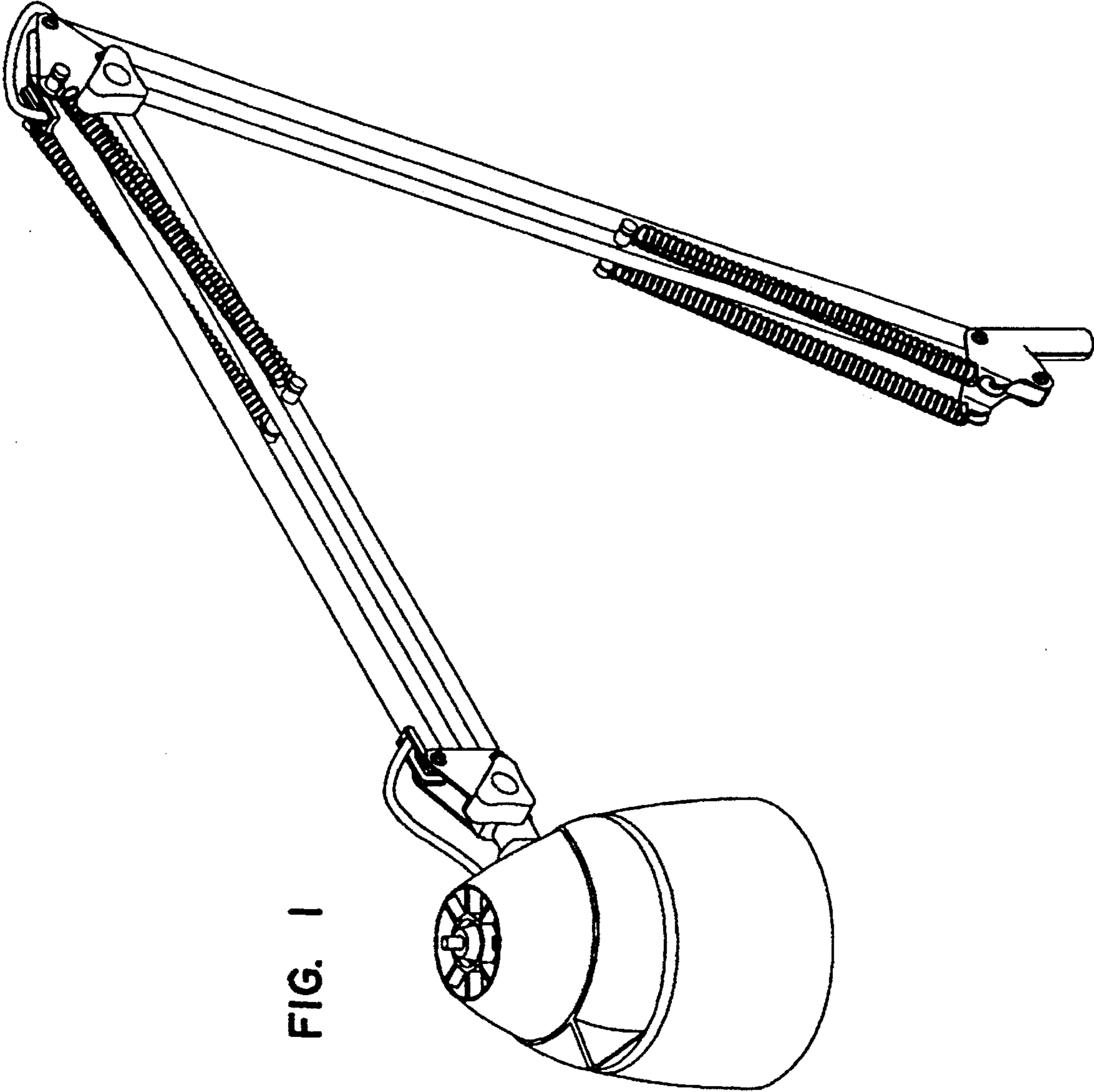


FIG. 1

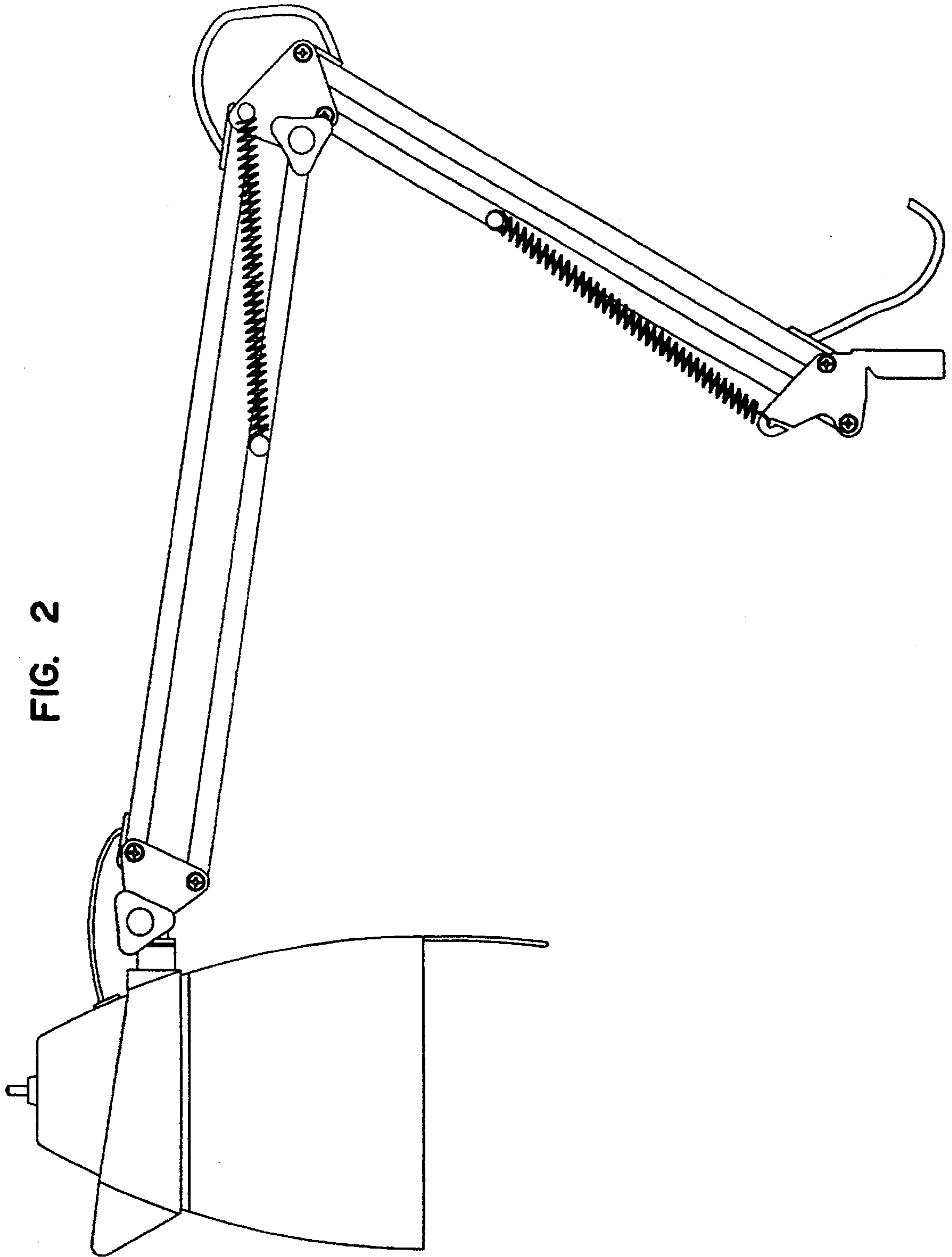


FIG. 2

FIG. 3

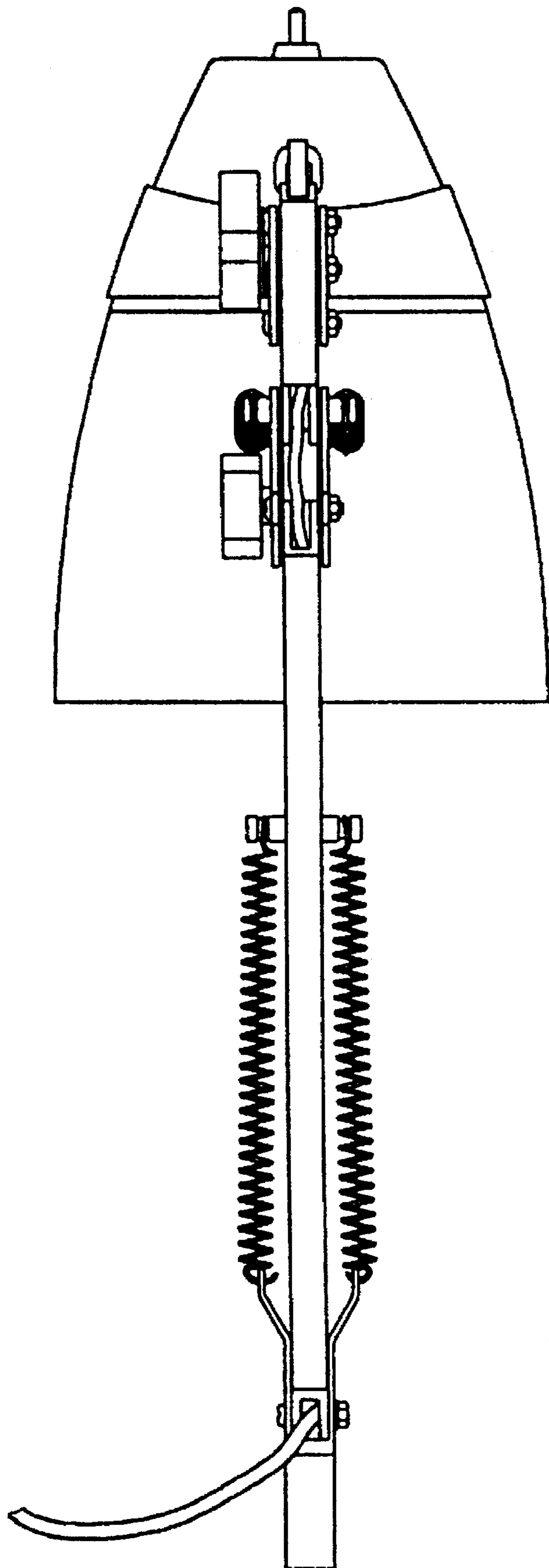


FIG. 4

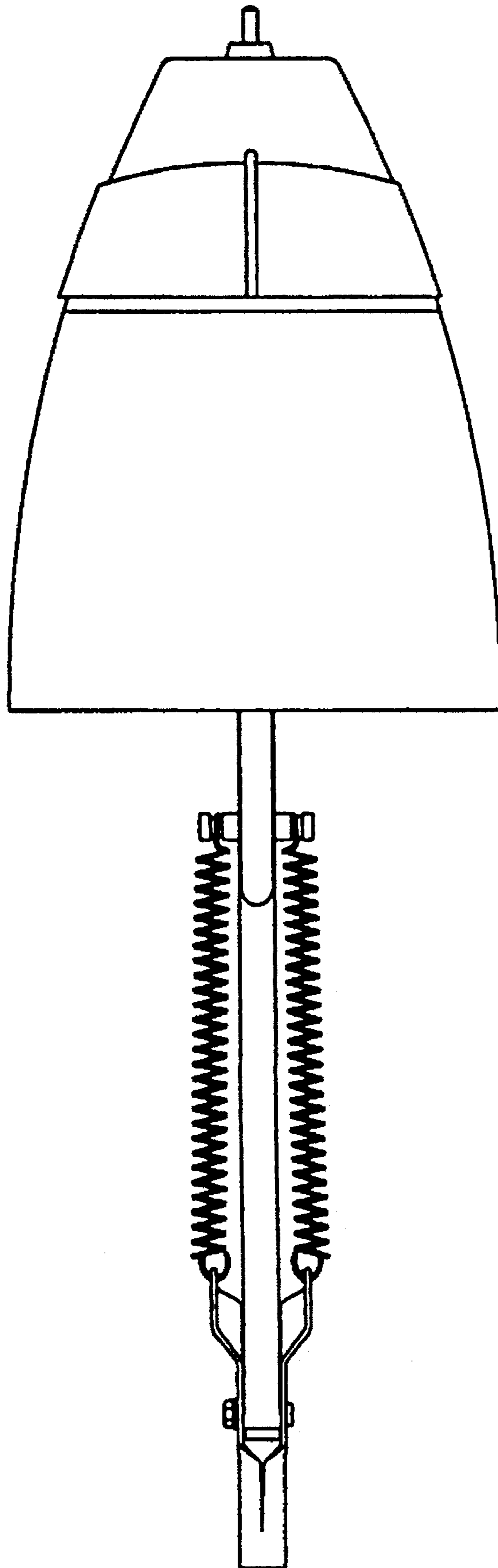


FIG. 5

