



US00D382360S

**United States Patent** [19]  
**Bixby**

[11] **Patent Number: Des. 382,360**

[45] **Date of Patent: \*\*Aug. 12, 1997**

[54] **TOILET LIGHT**

5,150,962 9/1992 Rauschenberger ..... 362/101  
5,513,397 5/1996 Terry ..... 362/253 X

[76] **Inventor: Mark J. Bixby**, 3531 San Ysidro Way,  
Sacramento, Calif. 95864

*Primary Examiner*—Susan J. Lucas  
*Attorney, Agent, or Firm*—Don Finkelstein

[\*\*] **Term: 14 Years**

[57] **CLAIM**

[21] **Appl. No.: 50,751**

The ornamental design for a toilet light, as shown and described.

[22] **Filed: Feb. 26, 1996**

[51] **LOC (6) Cl. .... 26-05**

**DESCRIPTION**

[52] **U.S. Cl. .... D26/60**

FIG. 1 is a perspective view of a new design for a toilet bowl light of the present invention and the opposite side is a mirror image thereof;

[58] **Field of Search** ..... D26/60; 362/396,  
362/191, 98, 101, 99, 253; D23/303; 4/661

FIG. 2 is a bottom view thereof; and,

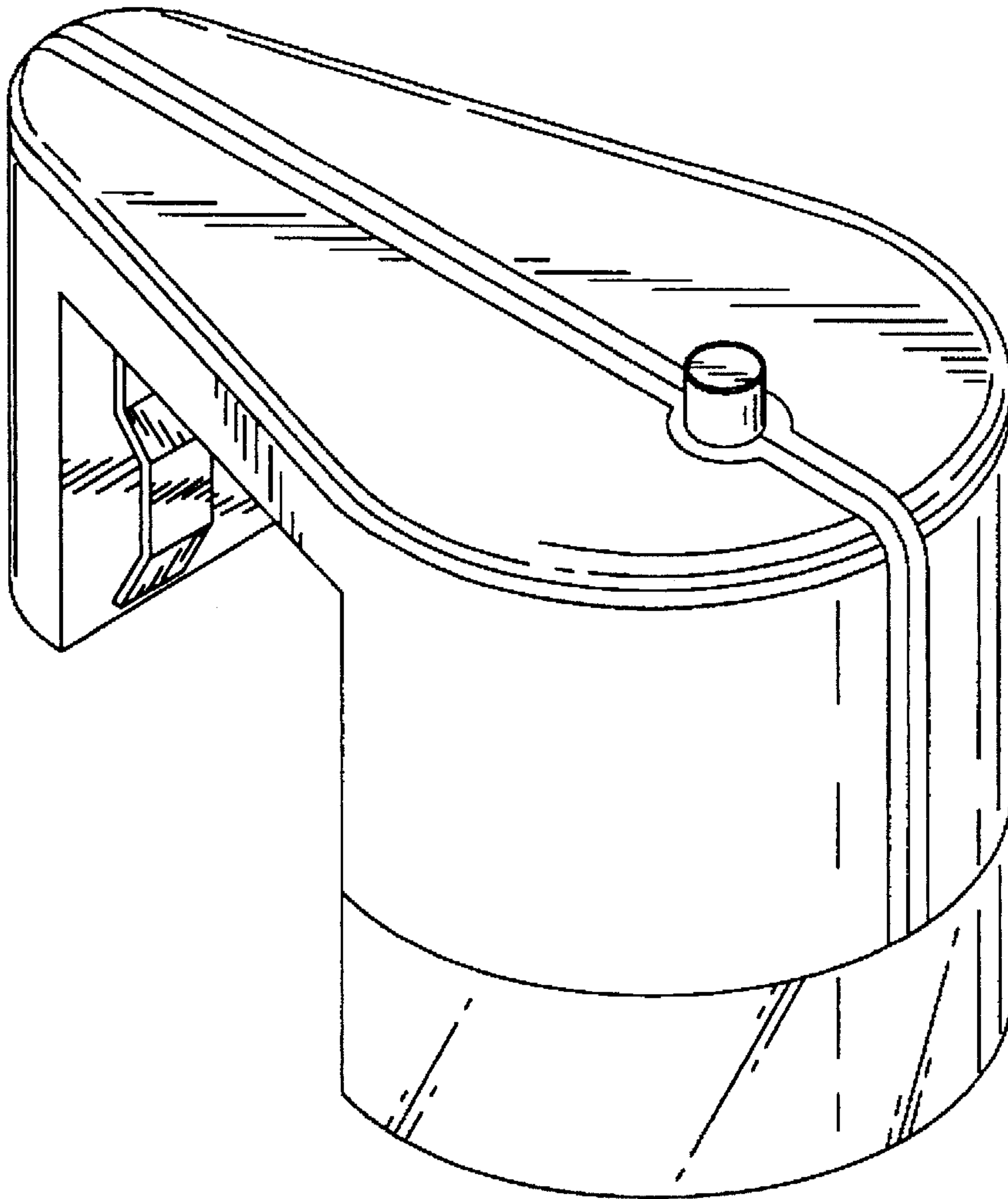
[56] **References Cited**

FIG. 3 is an end elevational view thereof.

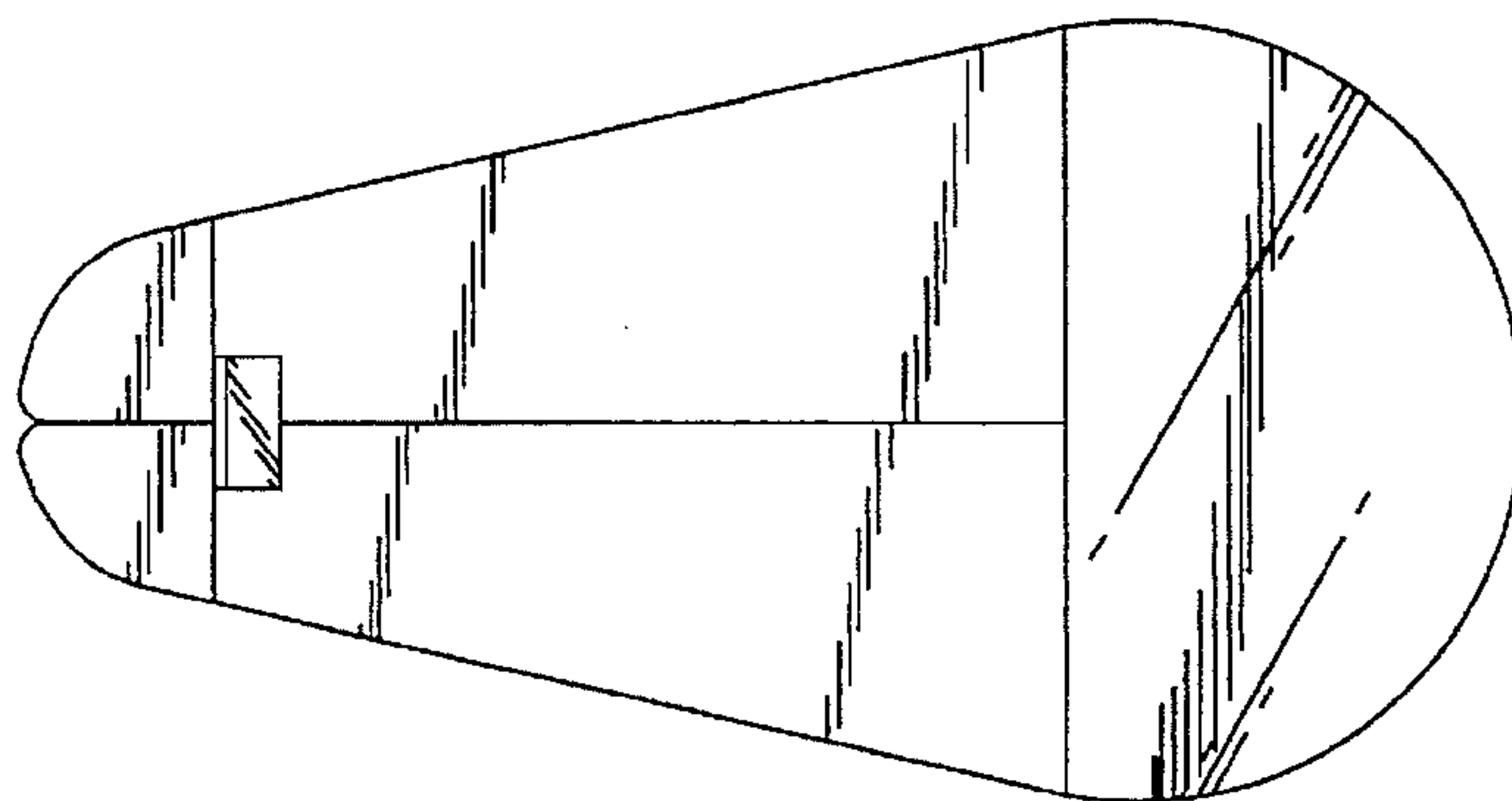
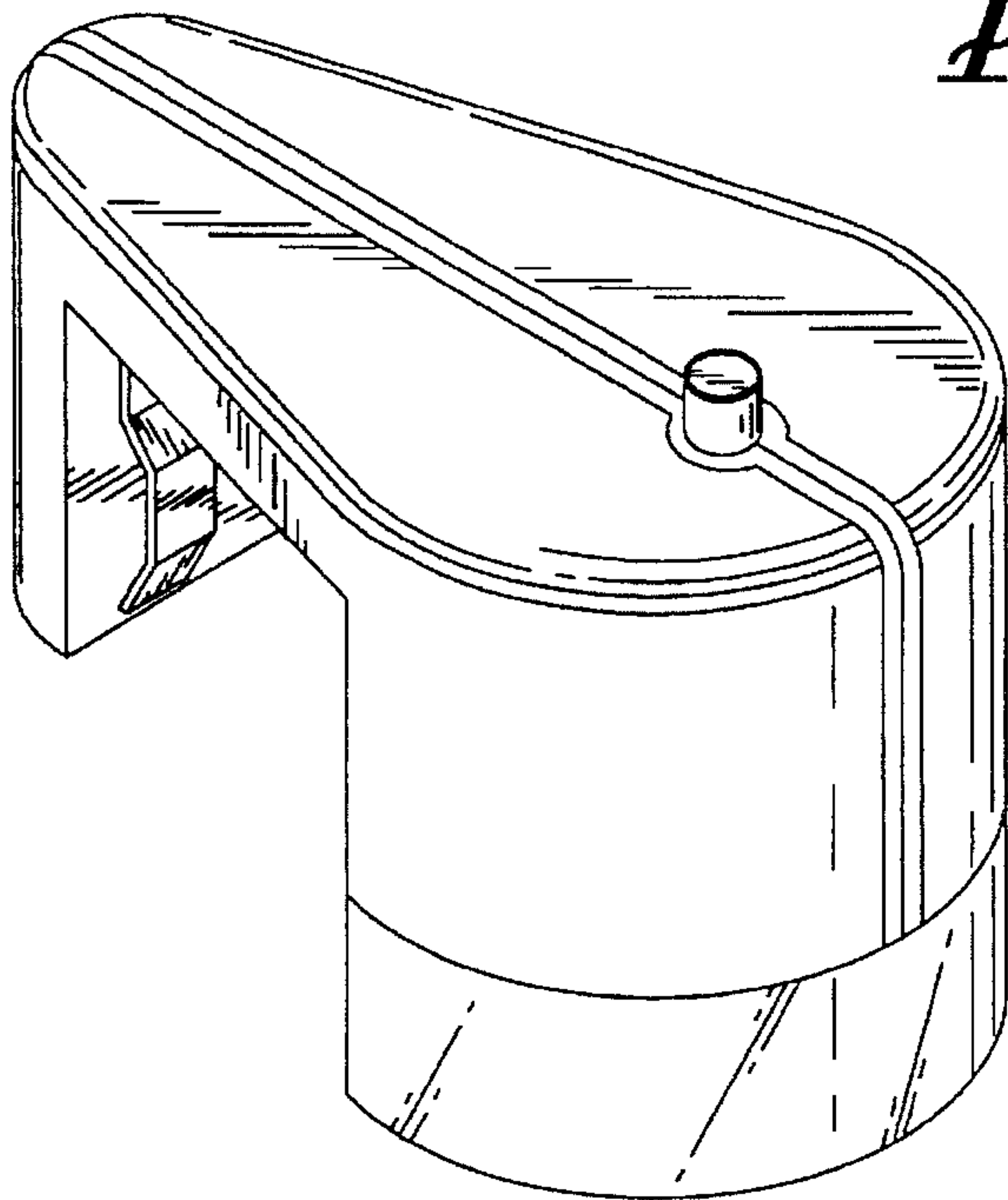
**U.S. PATENT DOCUMENTS**

4,860,178 8/1989 Picon ..... 362/101

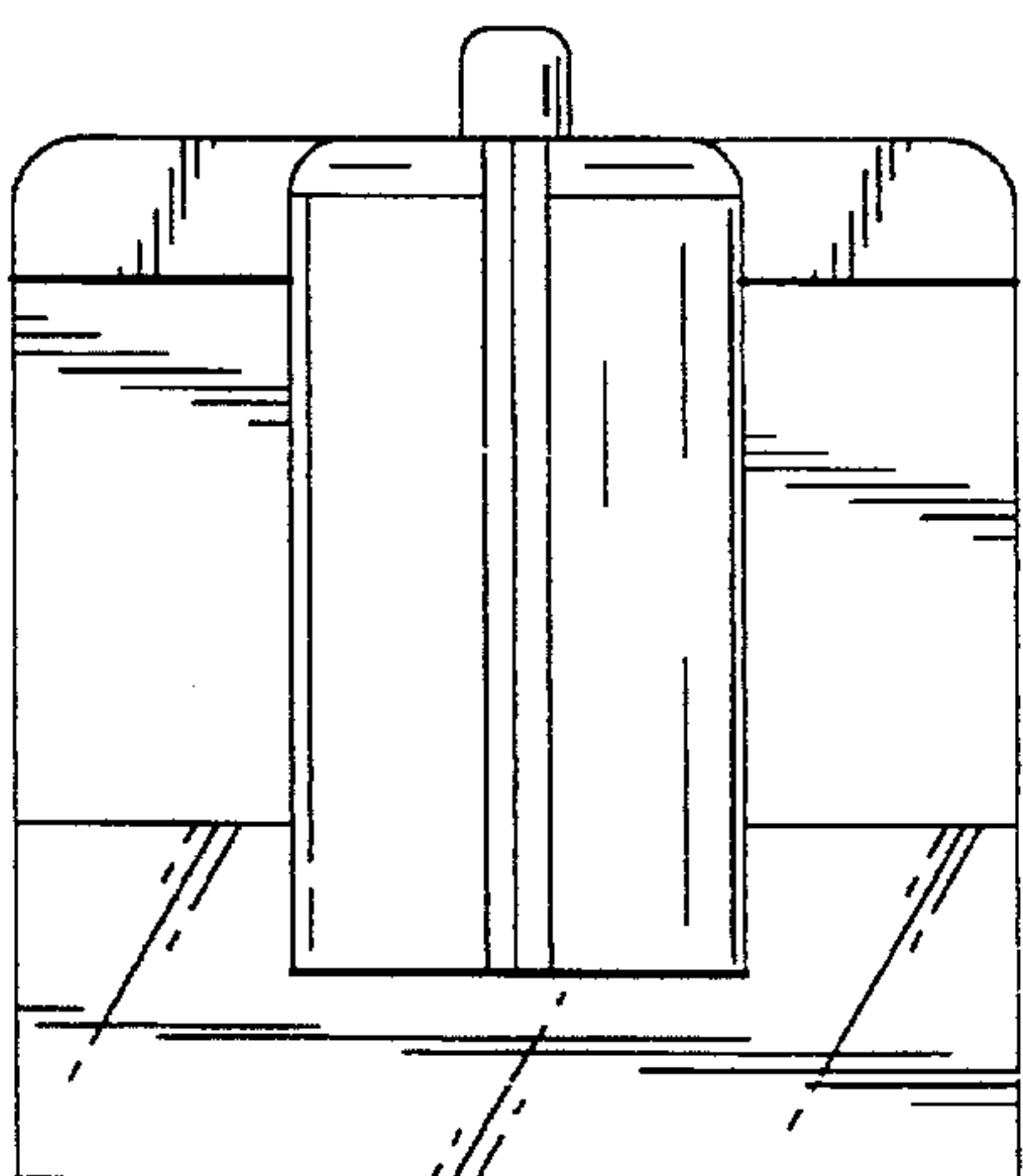
**1 Claim, 1 Drawing Sheet**



*FIG. 1*



*FIG. 2*



*FIG. 3*