



US00D382358S

United States Patent [19]
Poon

[11] **Patent Number: Des. 382,358**

[45] **Date of Patent: **Aug. 12, 1997**

[54] **FLUORESCENT LANTERN**

[75] **Inventor: Tit-Ying Poon, Shatin, Hong Kong**

[73] **Assignee: Flying Dragon Development Ltd., Hong Kong**

[**] **Term: 14 Years**

[21] **Appl. No.: 47,352**

[22] **Filed: Dec. 1, 1995**

[51] **LOC (6) Cl. 26-02**

[52] **U.S. Cl. D26/42**

[58] **Field of Search D26/37-50; 362/157, 362/158, 183, 184, 188-203**

[56] **References Cited**

U.S. PATENT DOCUMENTS

- D. 285,840 9/1986 Poon D26/42
- D. 312,317 11/1990 Tang D26/42

- D. 334,437 3/1993 Poon .
- D. 343,694 1/1994 Remeyer et al. D26/42
- D. 351,918 10/1994 Poon .

Primary Examiner—Marcus A. Jackson
Attorney, Agent, or Firm—Bacon & Thomas

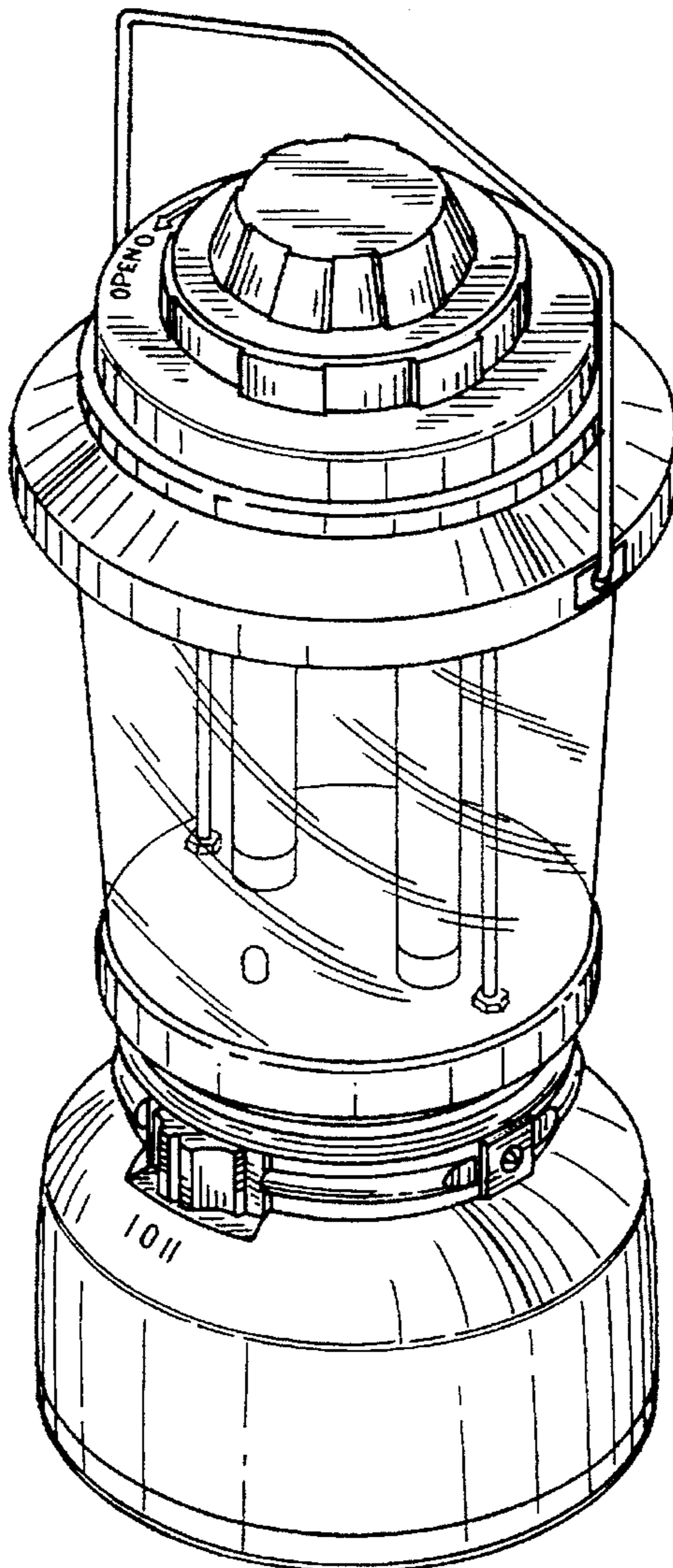
[57] **CLAIM**

The ornamental design for a fluorscent lantern, as shown and described.

DESCRIPTION

FIG. 1 is a frontal perspective view of a fluorescent lantern showing my new design;
 FIG. 2 is a front side elevational view thereof;
 FIG. 3 is a rear elevational view thereof;
 FIG. 4 is a left side elevational view thereof;
 FIG. 5 is a right side elevational view thereof;
 FIG. 6 is a plan view thereof; and,
 FIG. 7 is a bottom view thereof.

1 Claim, 4 Drawing Sheets



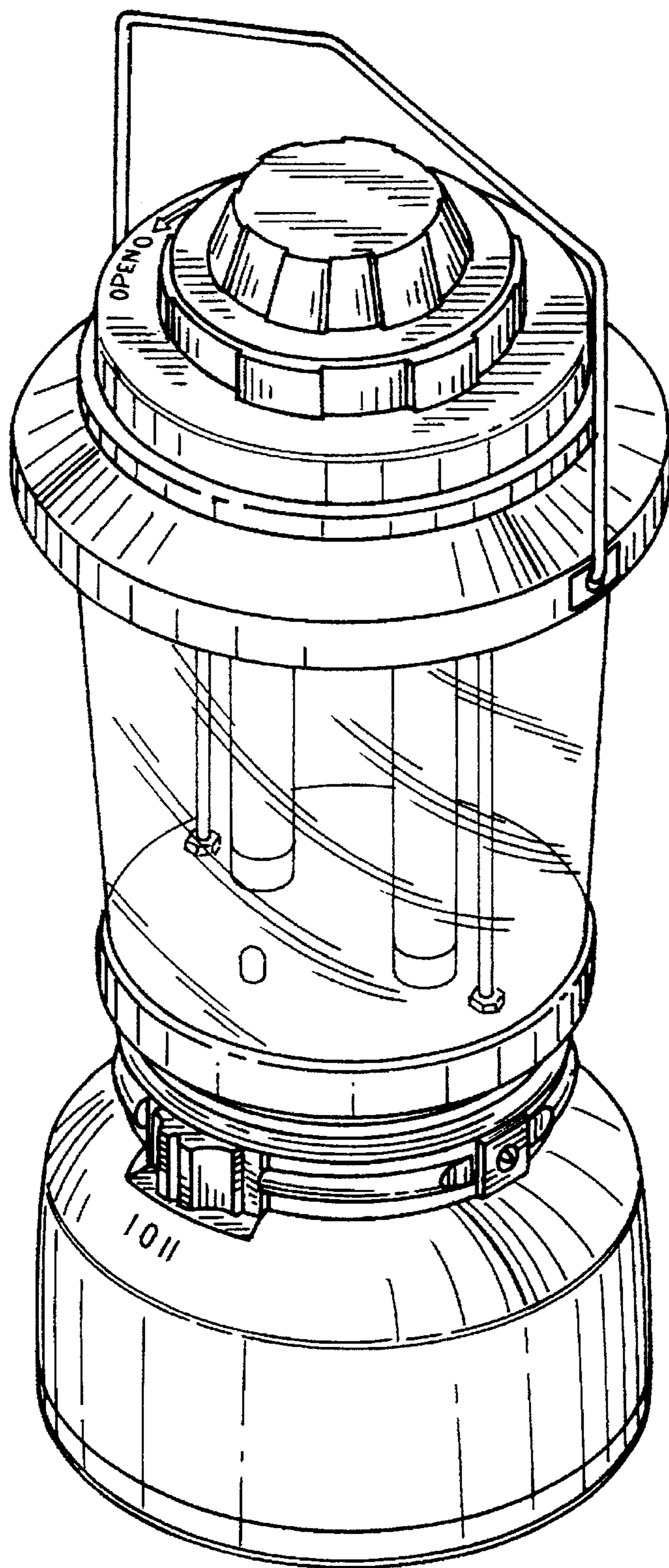


FIG. 1

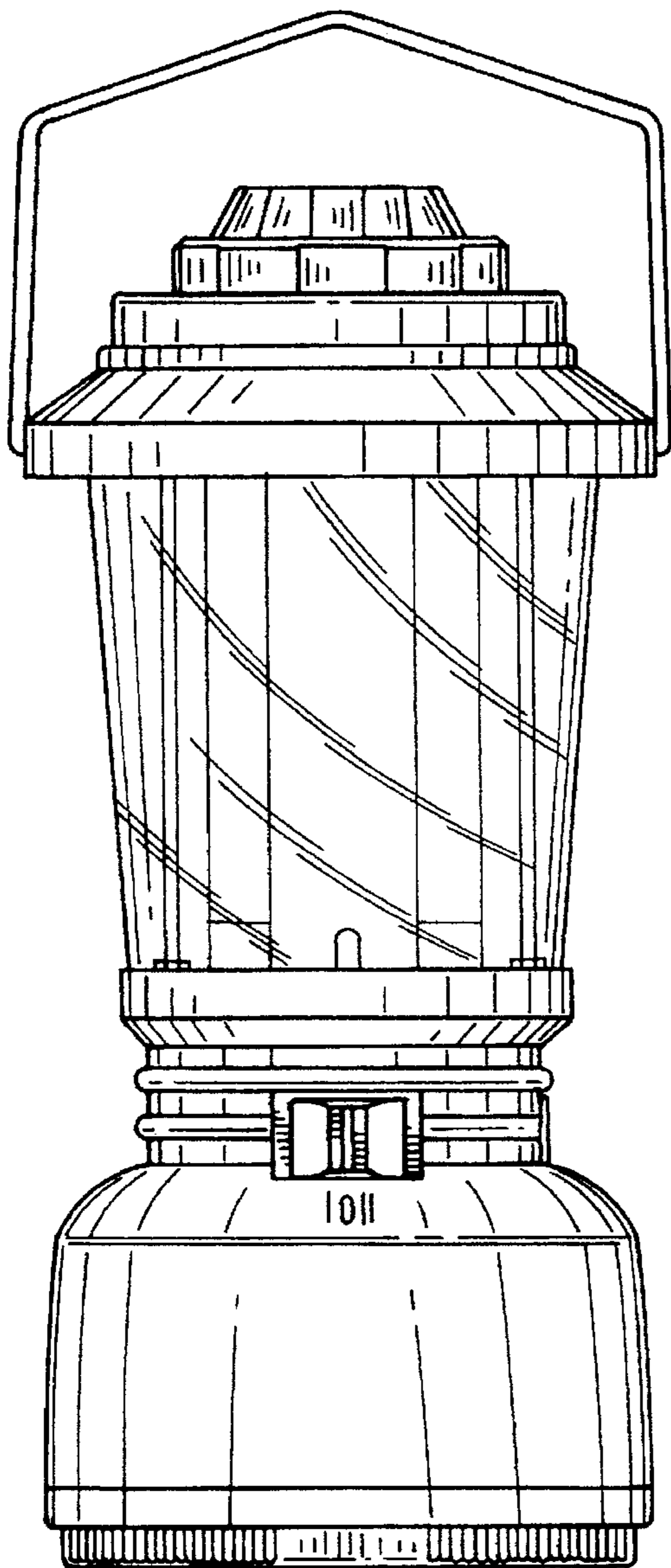


FIG. 2

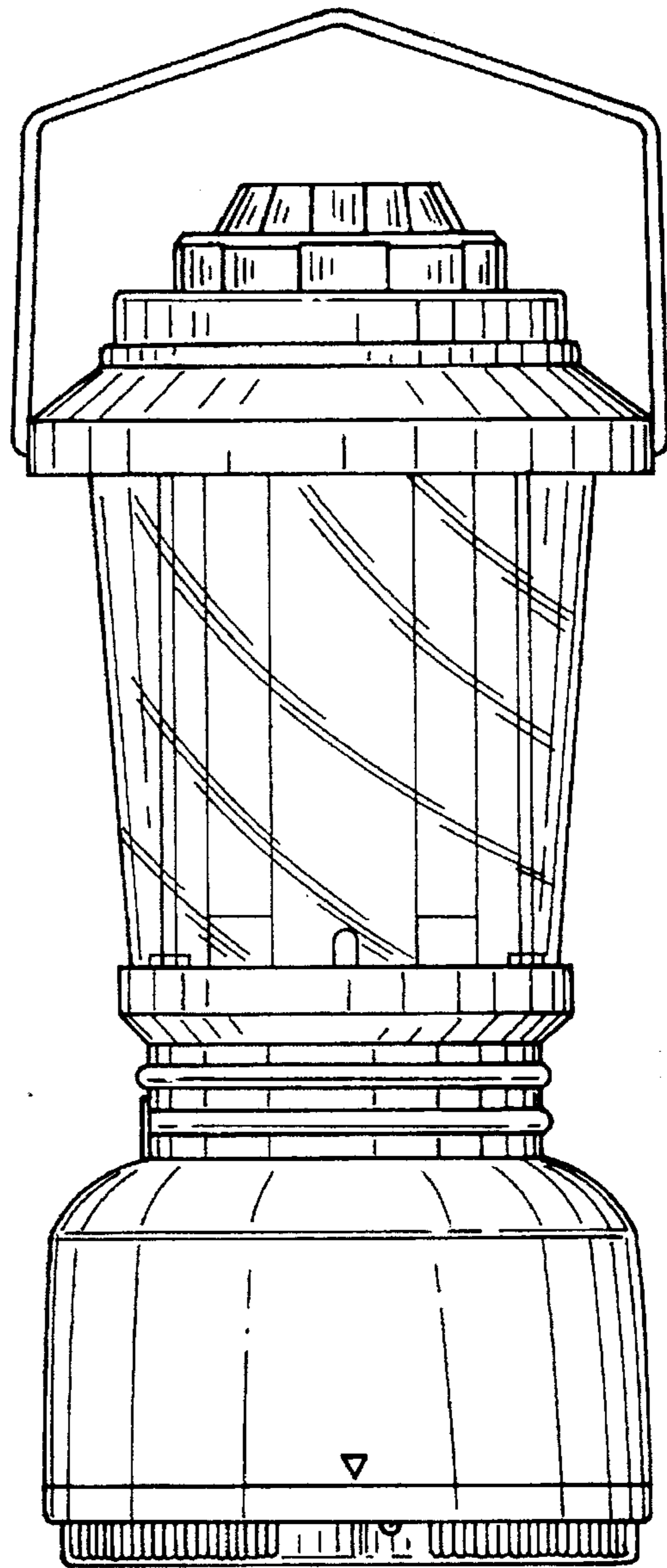


FIG. 3

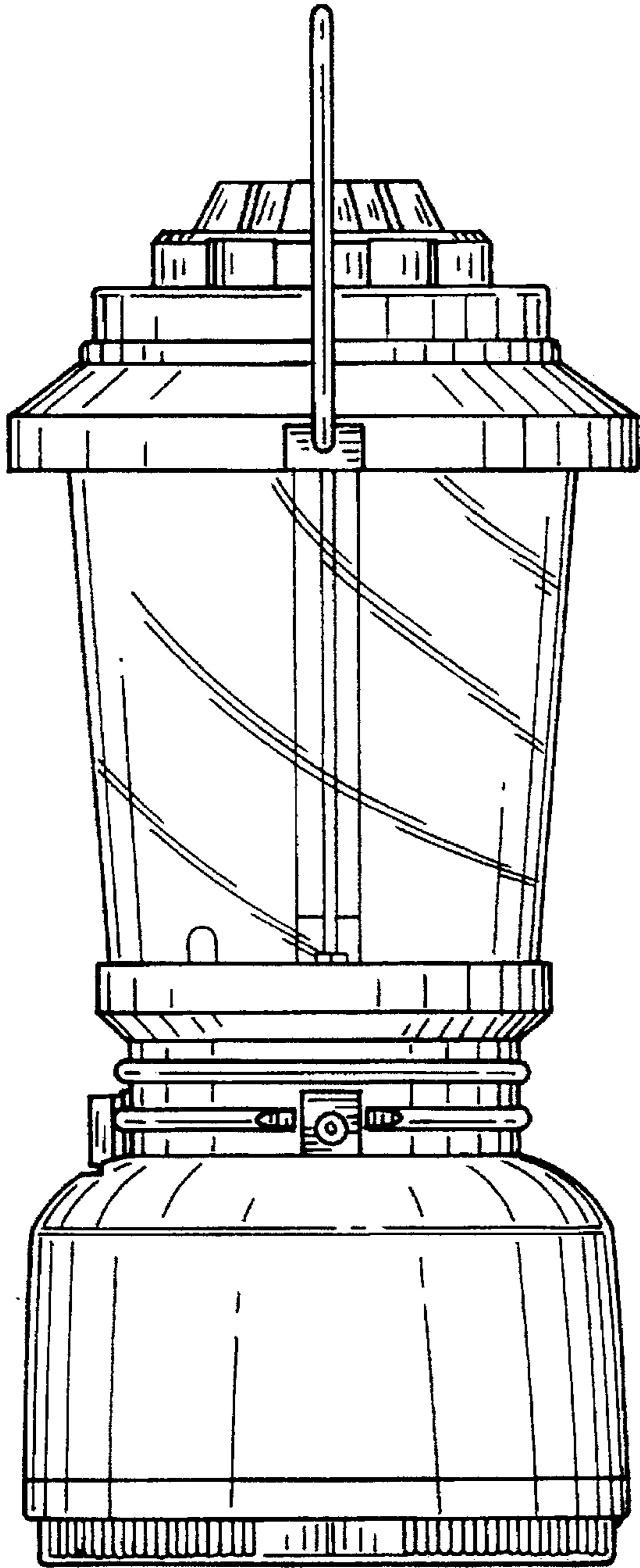


FIG. 4

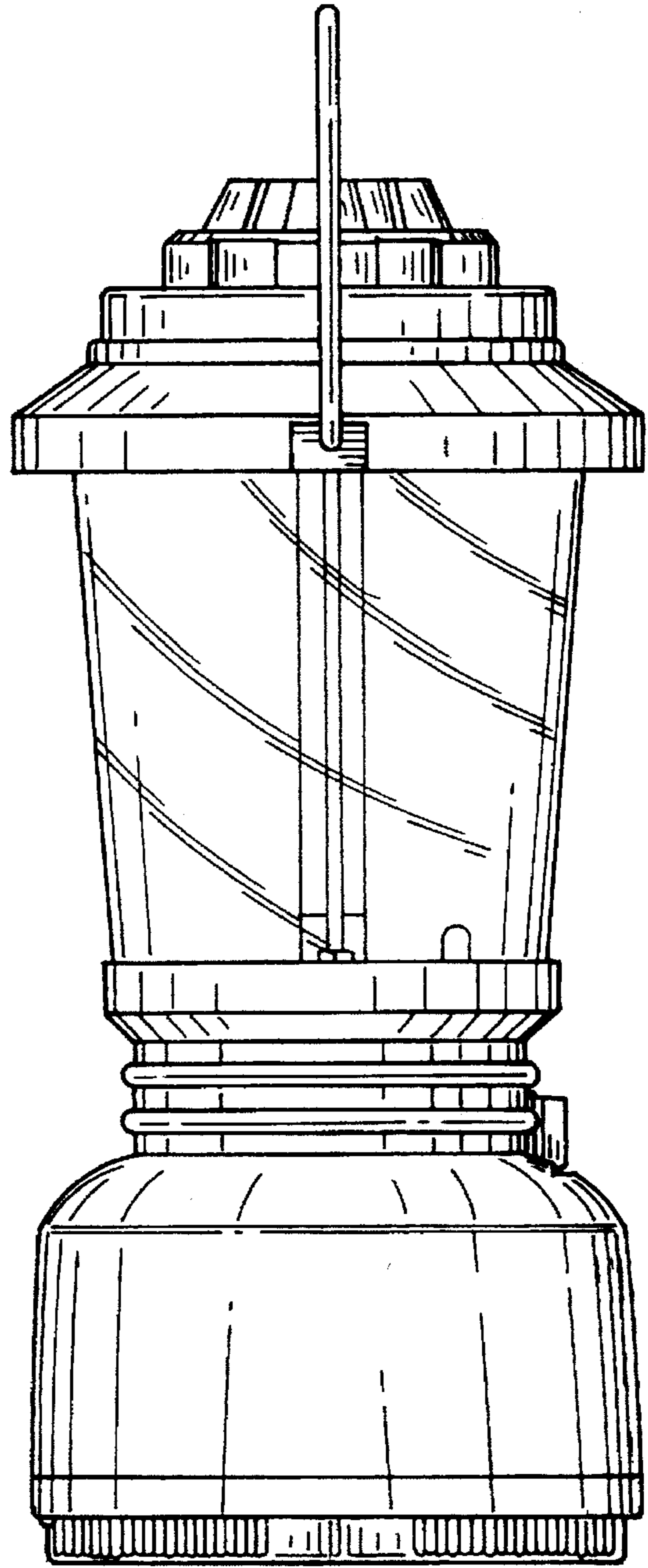


FIG. 5

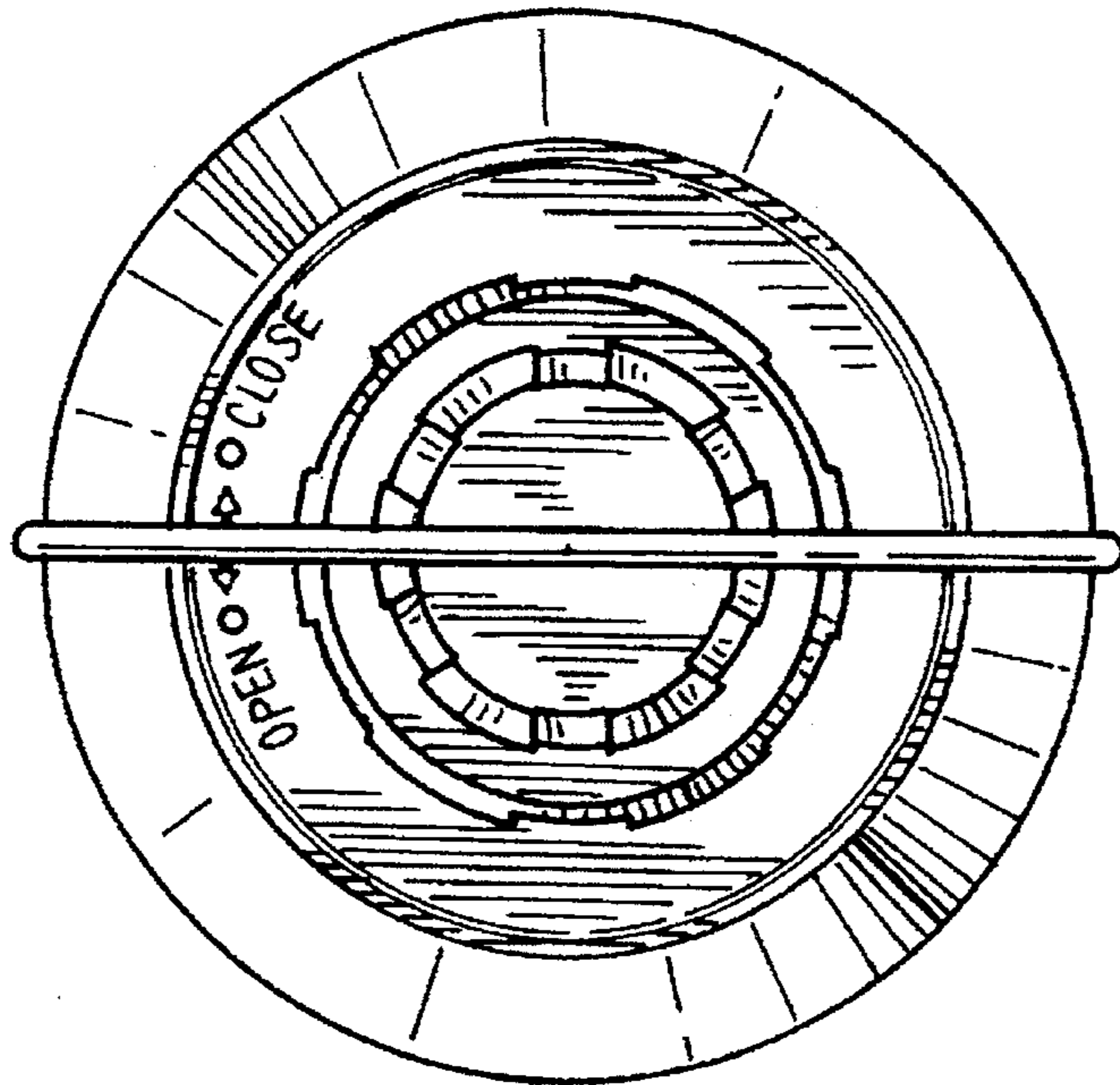


FIG. 6

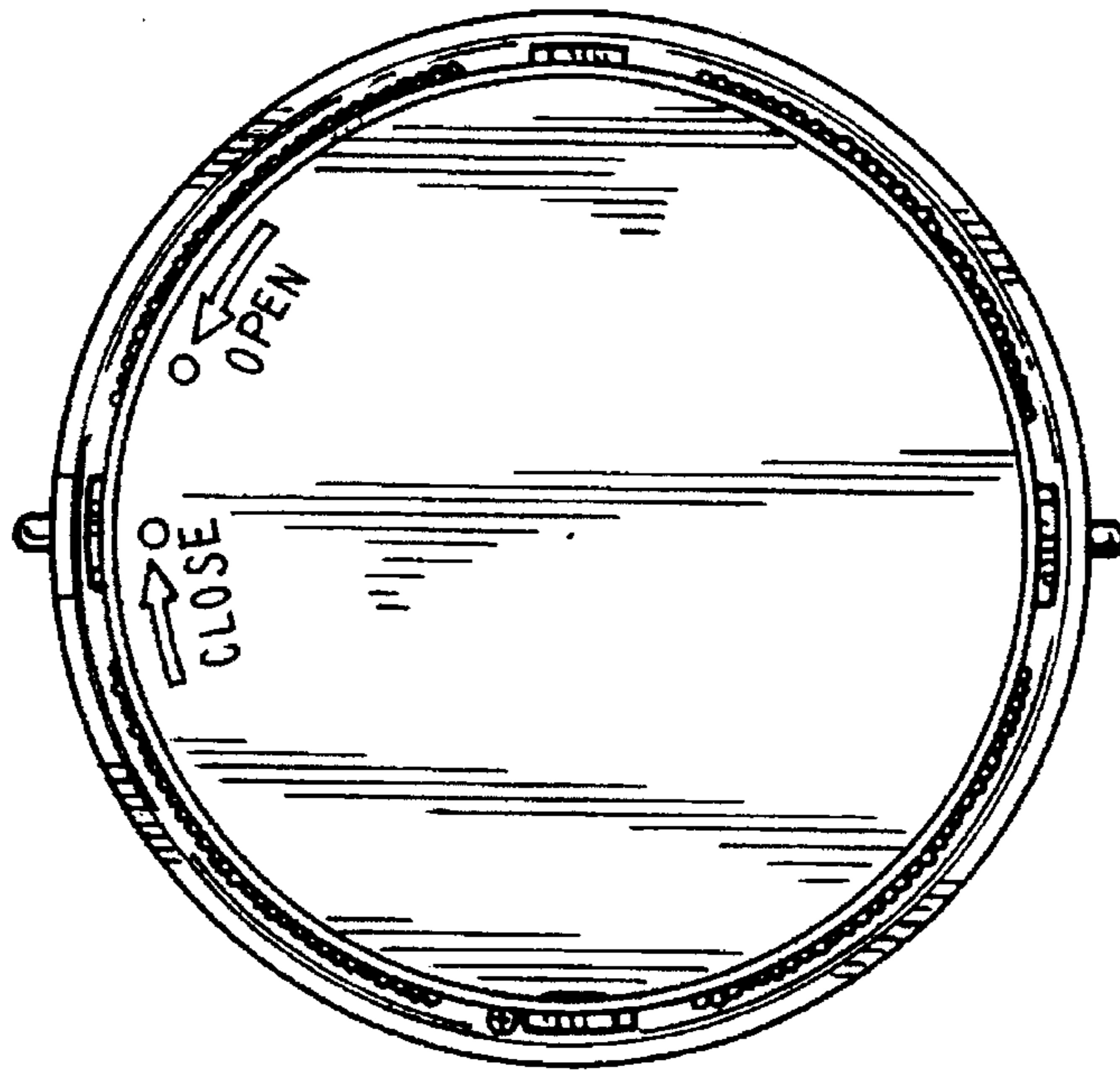


FIG. 7