



US00D382357S

# United States Patent [19]

[11] Patent Number: **Des. 382,357**

Henrici et al.

[45] Date of Patent: **\*\*Aug. 12, 1997**

[54] **LAMP HOLDER**

[75] Inventors: **Dieter Henrici**, Arnsberg;  
**Karl-Wilhelm Vogt**, Ense, both of  
Germany

[73] Assignee: **Brokelmann, Jaeger & Busse, GmbH**  
& Co., Arnsberg, Germany

[\*\*] Term: **14 Years**

[21] Appl. No.: **50,031**

[22] Filed: **Feb. 7, 1996**

**Related U.S. Application Data**

[62] Division of Ser. No. 34,960, Feb. 16, 1995, Pat. No. Des. 370,541, which is a division of Ser. No. 20,695, Mar. 31, 1994, Pat. No. Des. 363,359.

[30] **Foreign Application Priority Data**

Feb. 23, 1994 [WO] WIPO ..... DM/028790

[51] LOC (6) Cl. .... **26-06**

[52] U.S. Cl. .... **D26/28**

[58] Field of Search ..... D26/28, 138, 140;  
248/316.1, 205.5; 362/226, 249, 306

[56] **References Cited**

**U.S. PATENT DOCUMENTS**

5,313,135 5/1994 Fletcher ..... 313/318.01  
5,319,532 6/1994 Pidancet ..... 362/226

*Primary Examiner*—Holly Baynham  
*Attorney, Agent, or Firm*—Herbert Dubno

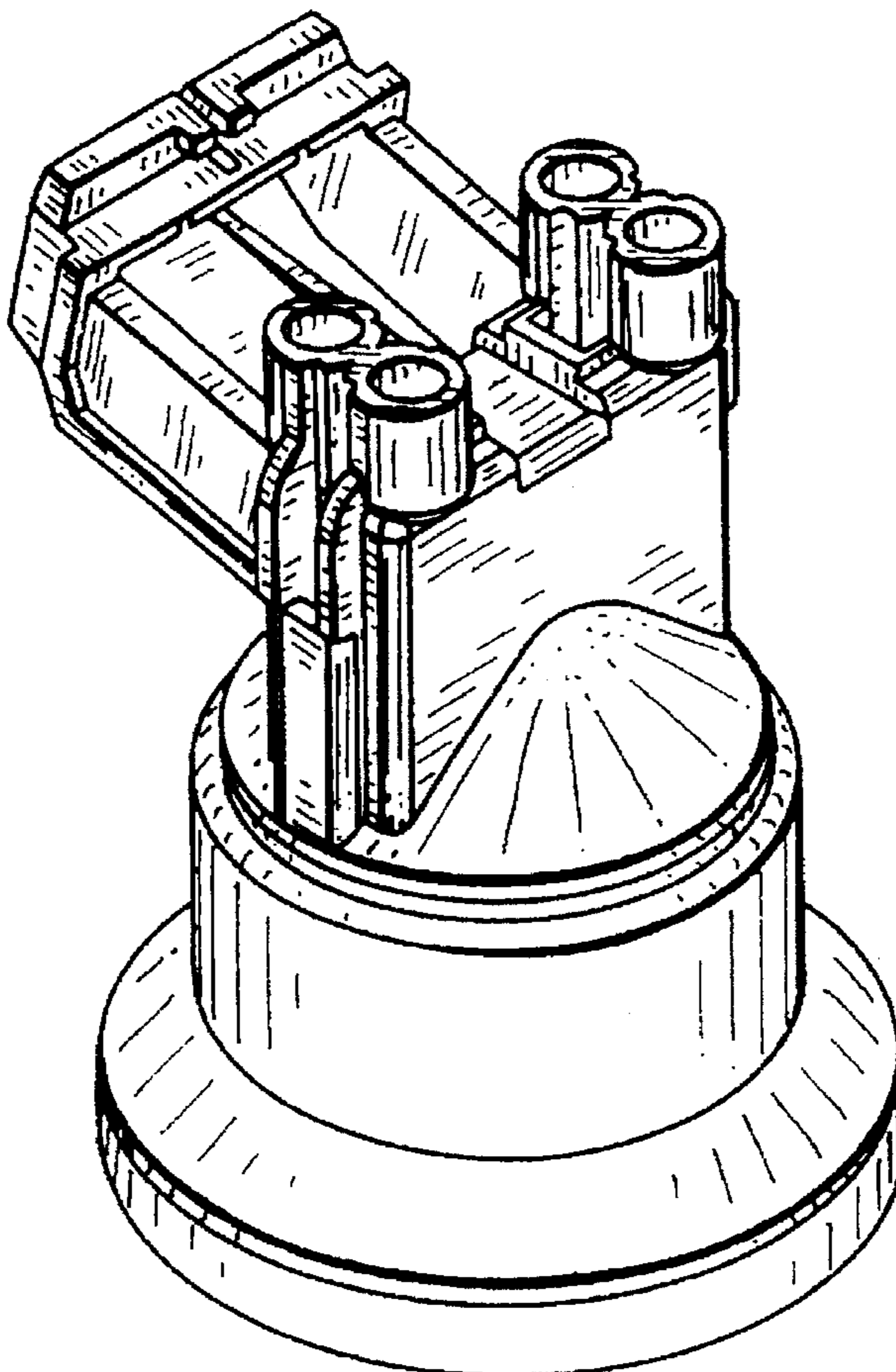
[57] **CLAIM**

The ornamental design for a lamp holder, as shown and described.

**DESCRIPTION**

FIG. 1 is a top, left-side front perspective view of a first embodiment of a lamp holder embodying our new design; FIG. 2 is a left side elevational view thereof, the right side being mirror symmetrical thereto; FIG. 3 is a front elevational view thereof; FIG. 4 is a rear elevational view thereof; FIG. 5 is a top view thereof; and, FIG. 6 is a bottom view thereof.

**1 Claim, 2 Drawing Sheets**



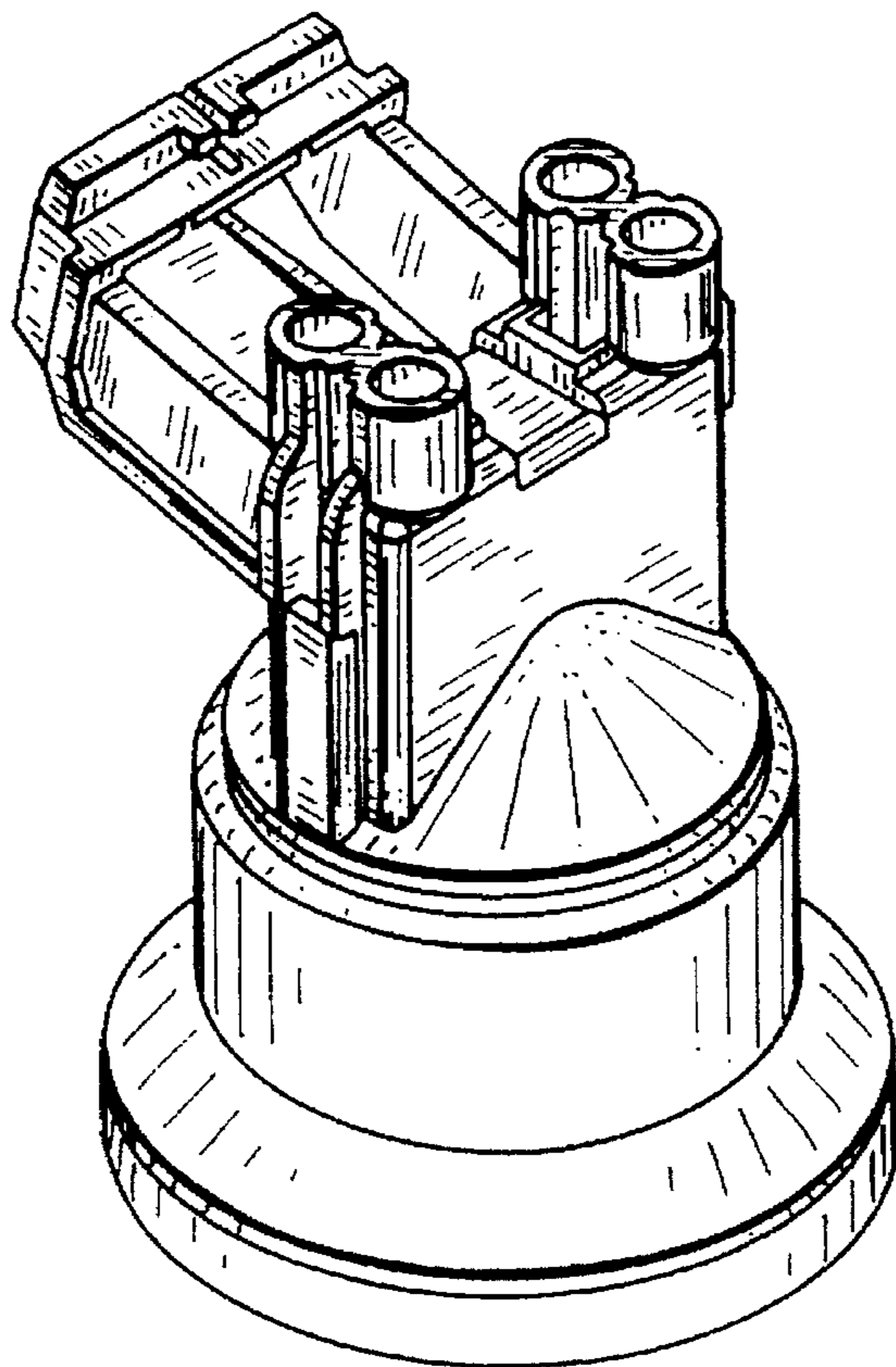


FIG. 1

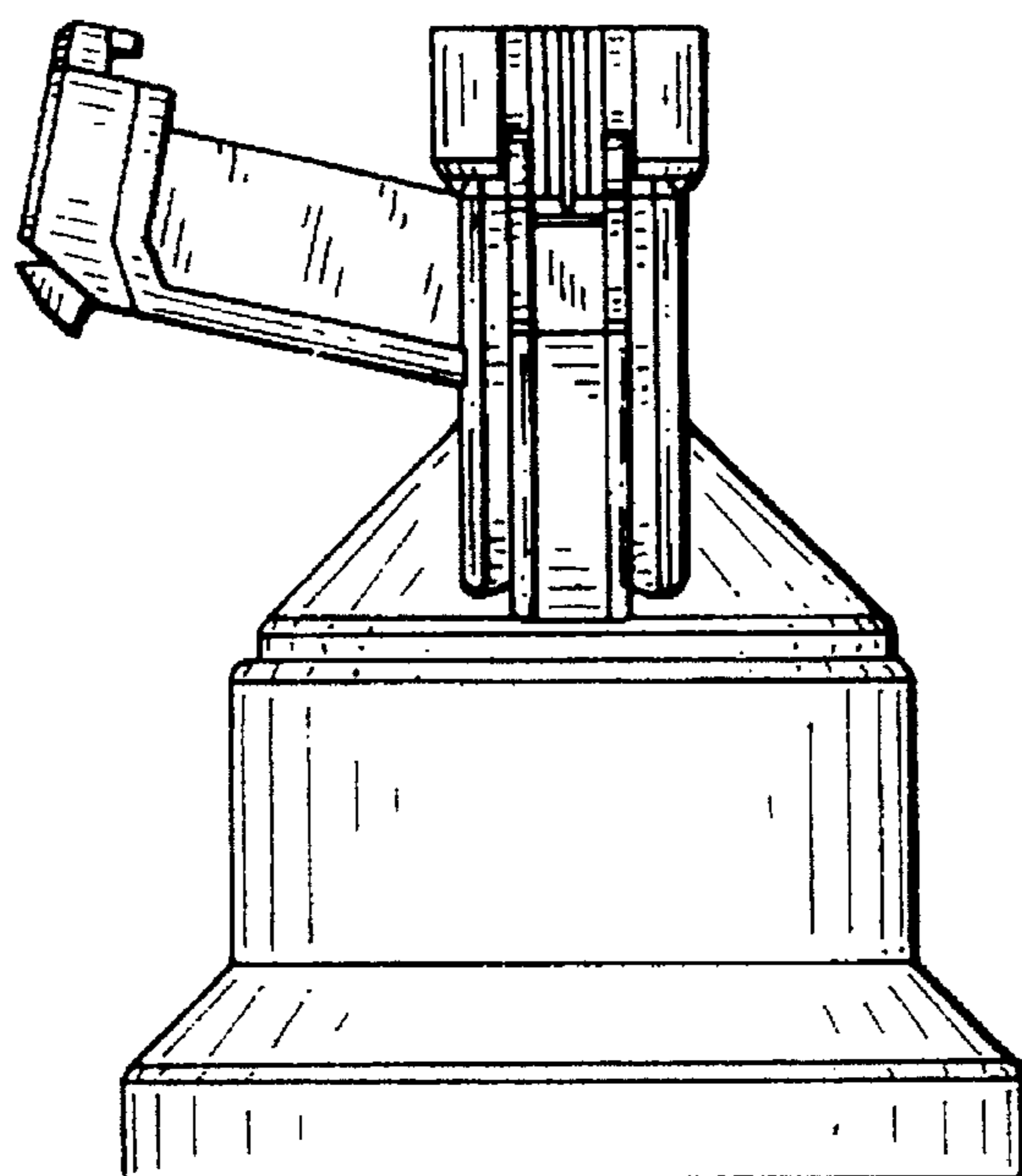


FIG. 2

FIG.3

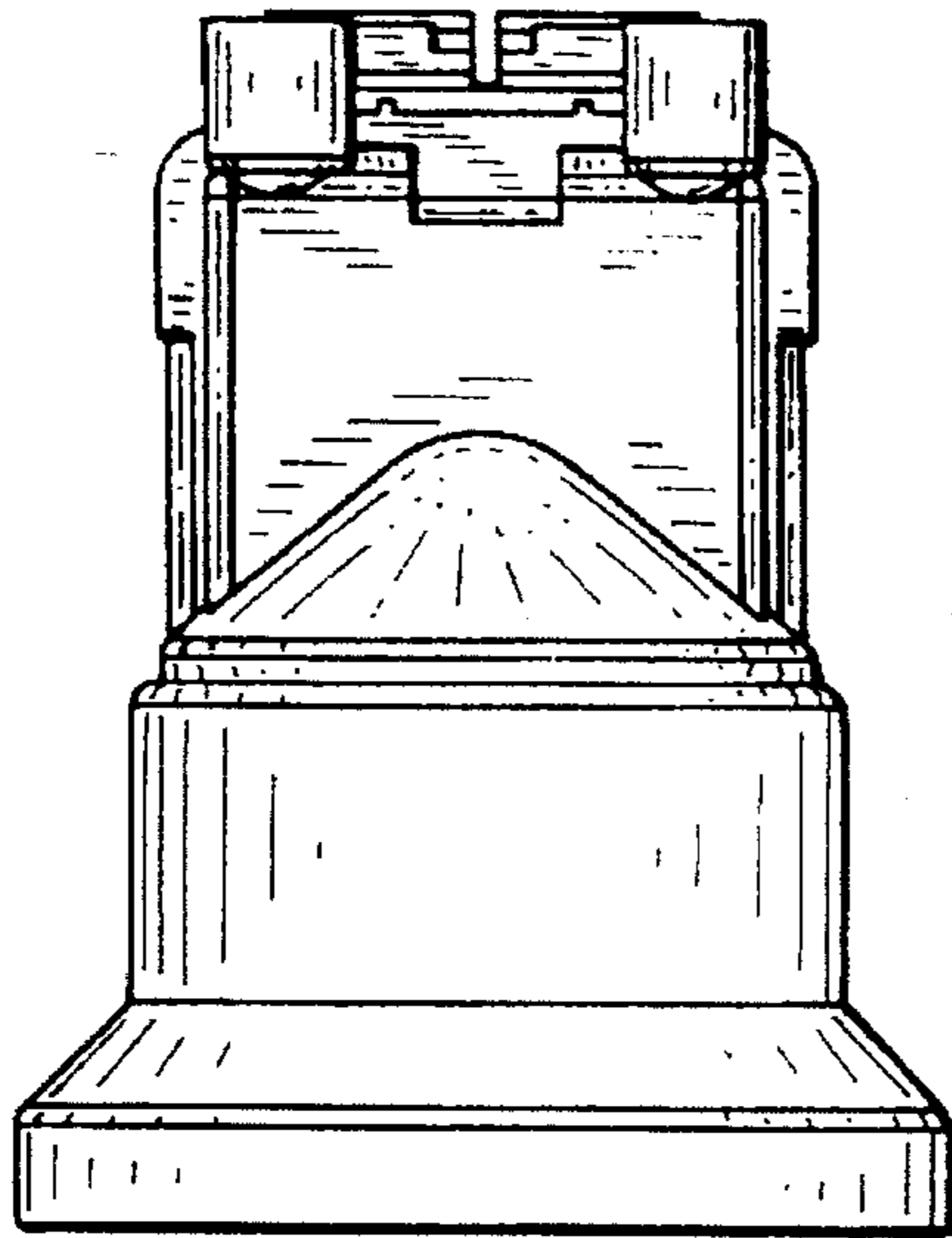


FIG.4

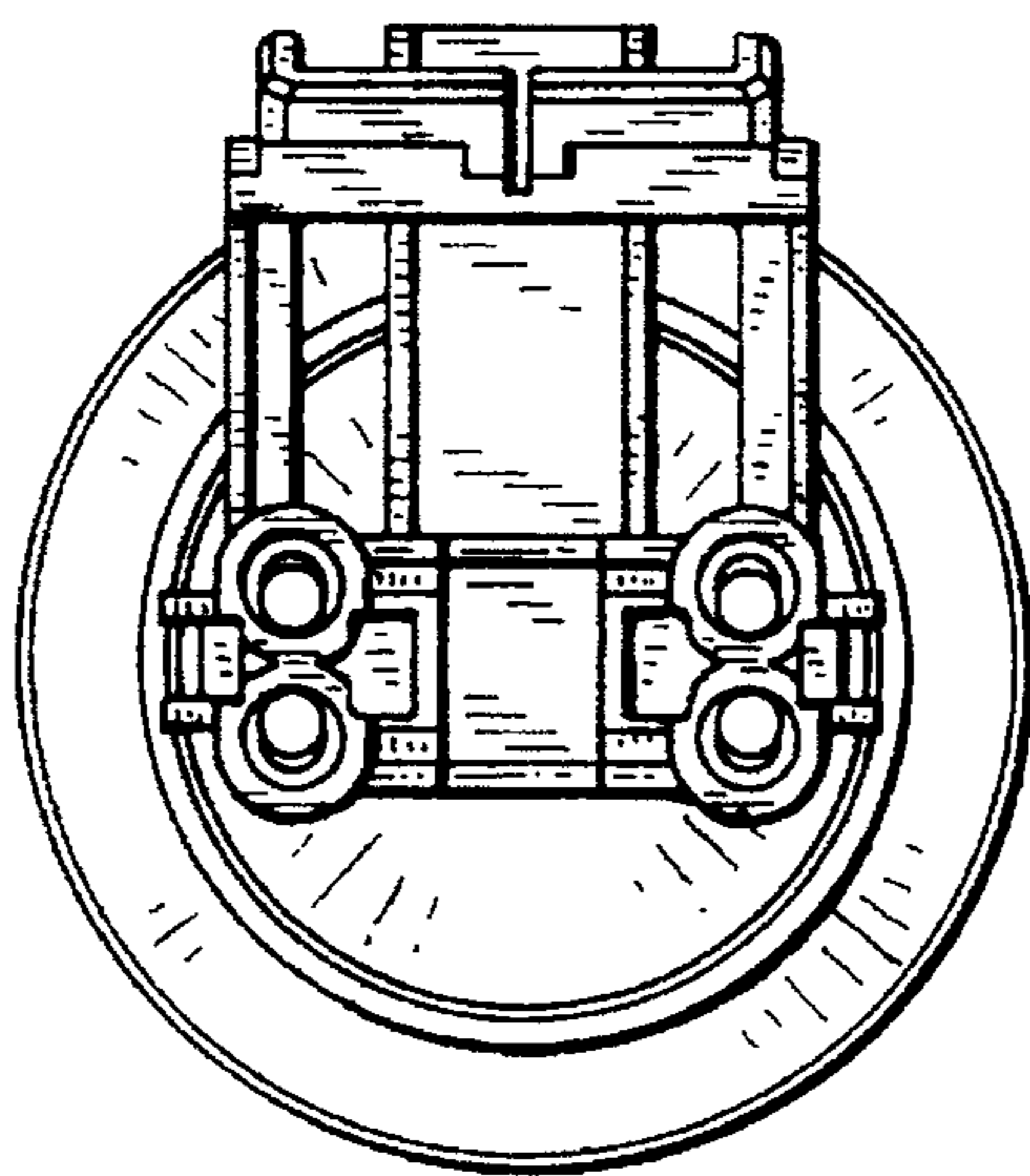
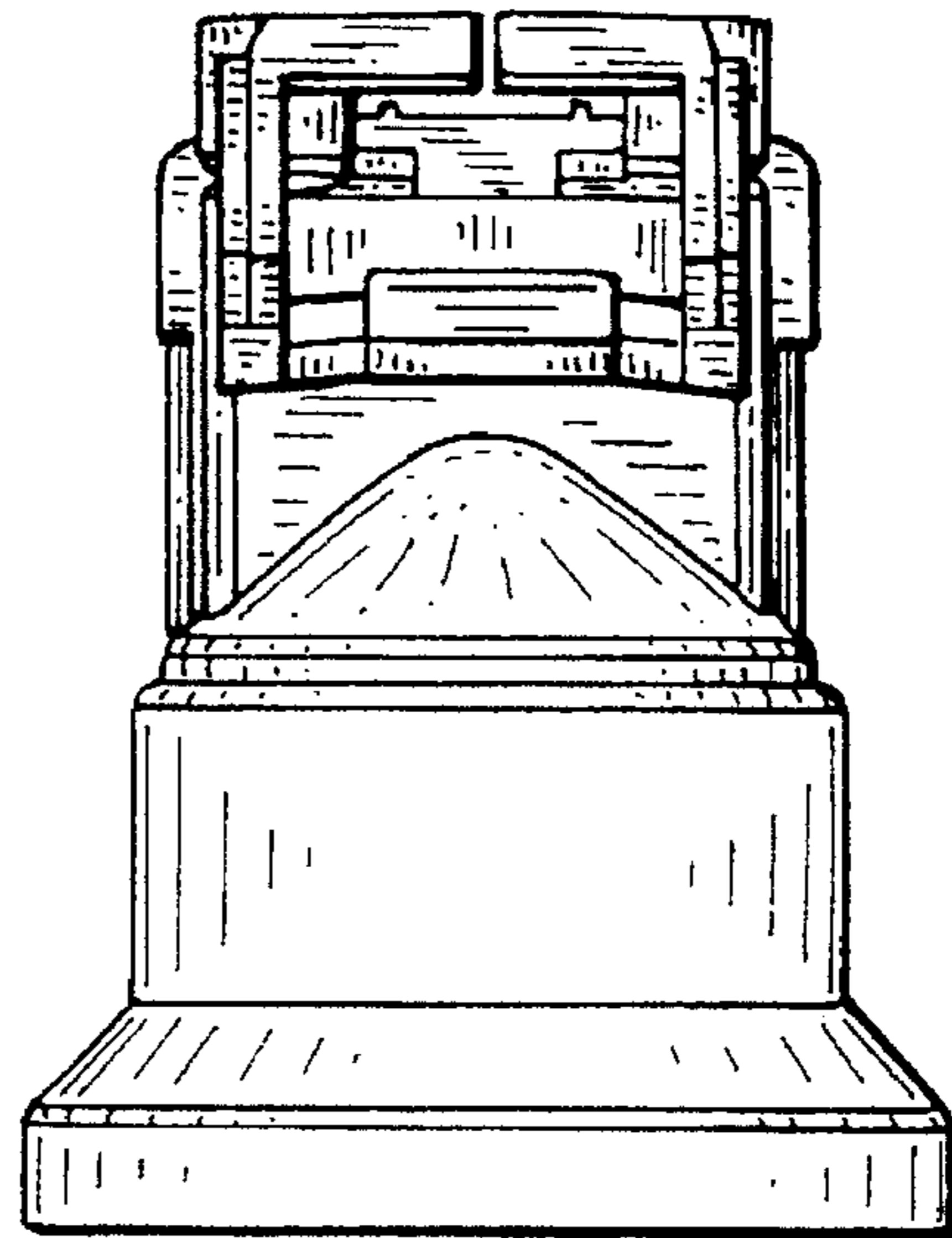


FIG.5

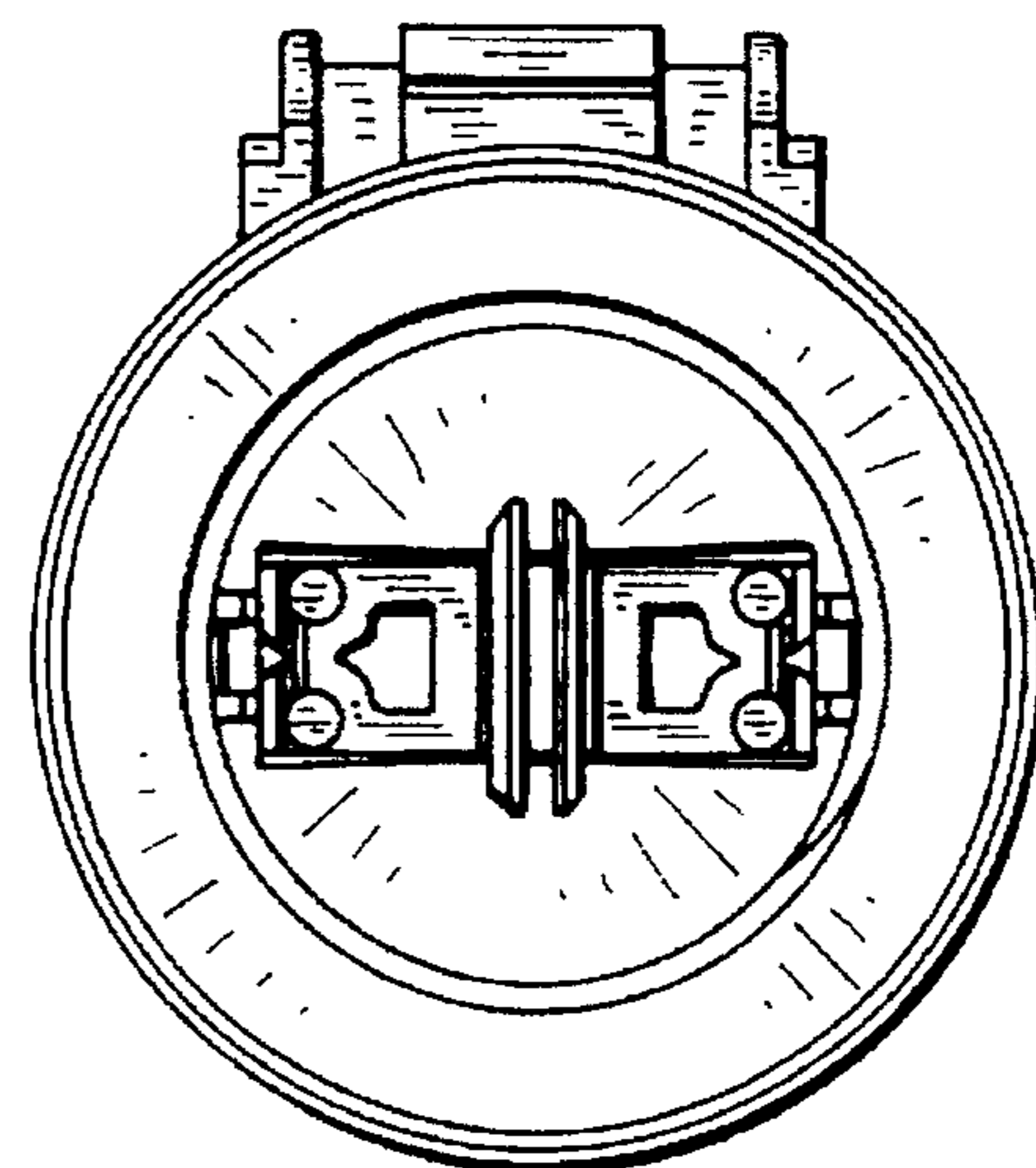


FIG.6