



US00D382347S

United States Patent [19]
Grubb

[11] **Patent Number: Des. 382,347**
[45] **Date of Patent: **Aug. 12, 1997**

[54] **TUBULAR SKYLIGHT**

5,175,967 1/1993 Greenwood 52/200

[75] **Inventor: Dennis Allen Grubb, Scottsdale, Ariz.**

Primary Examiner—Doris Clark
Attorney, Agent, or Firm—Snell & Wilmer

[73] **Assignee: Sunlight Systems, Inc., Phoenix, Ariz.**

[57] **CLAIM**

[**] **Term: 14 Years**

The ornamental design for the tubular skylight, as shown and described.

[21] **Appl. No.: 55,409**

[22] **Filed: Jun. 4, 1996**

DESCRIPTION

[51] **LOC (6) Cl. 25-02**

[52] **U.S. Cl. D25/52**

[58] **Field of Search D25/52; 52/200**

FIG. 1 is a perspective view of a tubular skylight showing a new design in accordance with my invention;

FIG. 2 is a side view thereof;

FIG. 3 is a front view thereof;

FIG. 4 is a back view thereof;

FIG. 5 is a top view thereof; and,

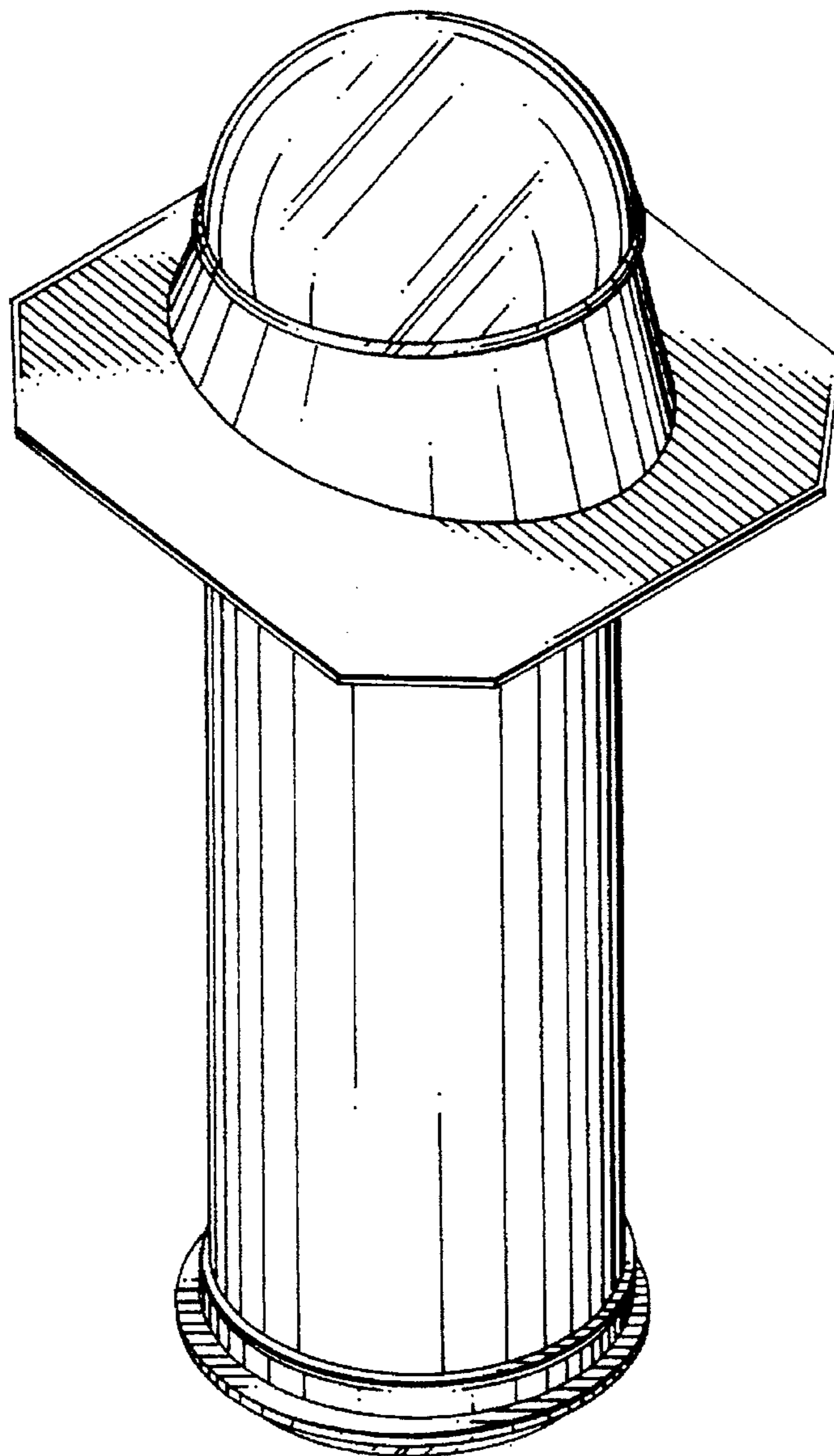
FIG. 6 is a bottom view thereof.

[56] **References Cited**

U.S. PATENT DOCUMENTS

D. 328,795 8/1992 Yamaguchi et al. D25/52
5,027,566 7/1991 Gilowski 52/200

1 Claim, 1 Drawing Sheet



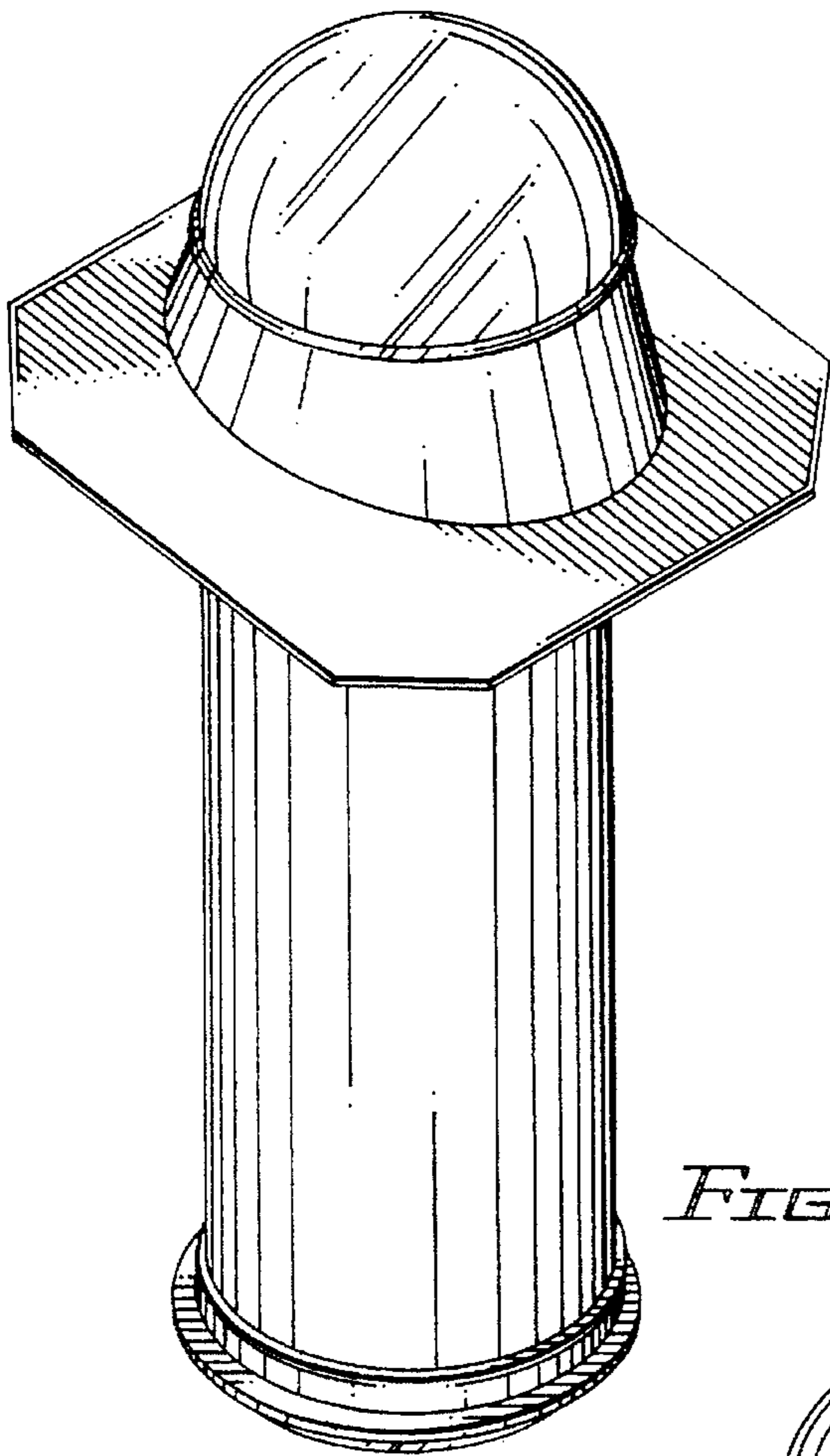


FIG. 1

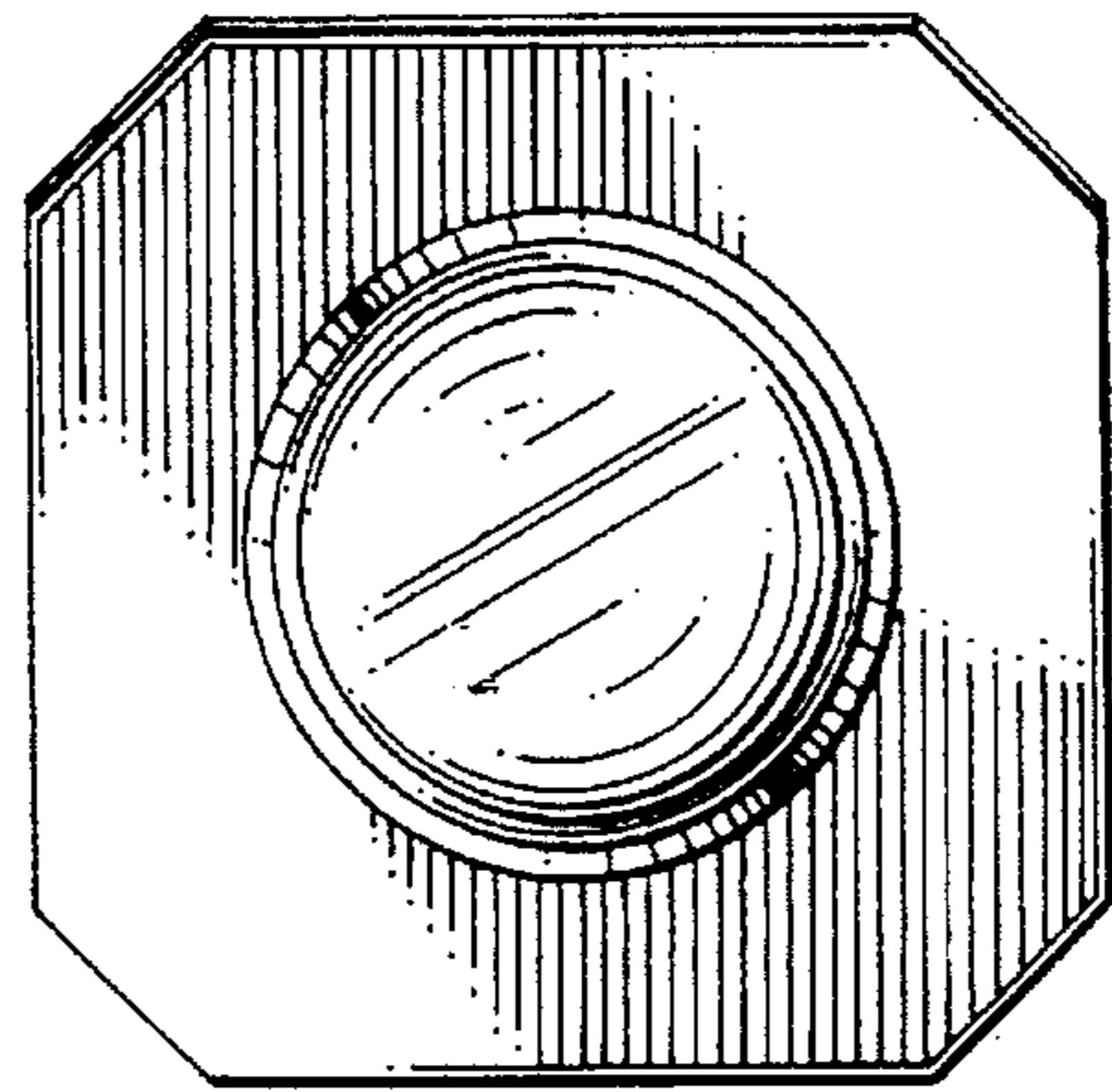


FIG. 5

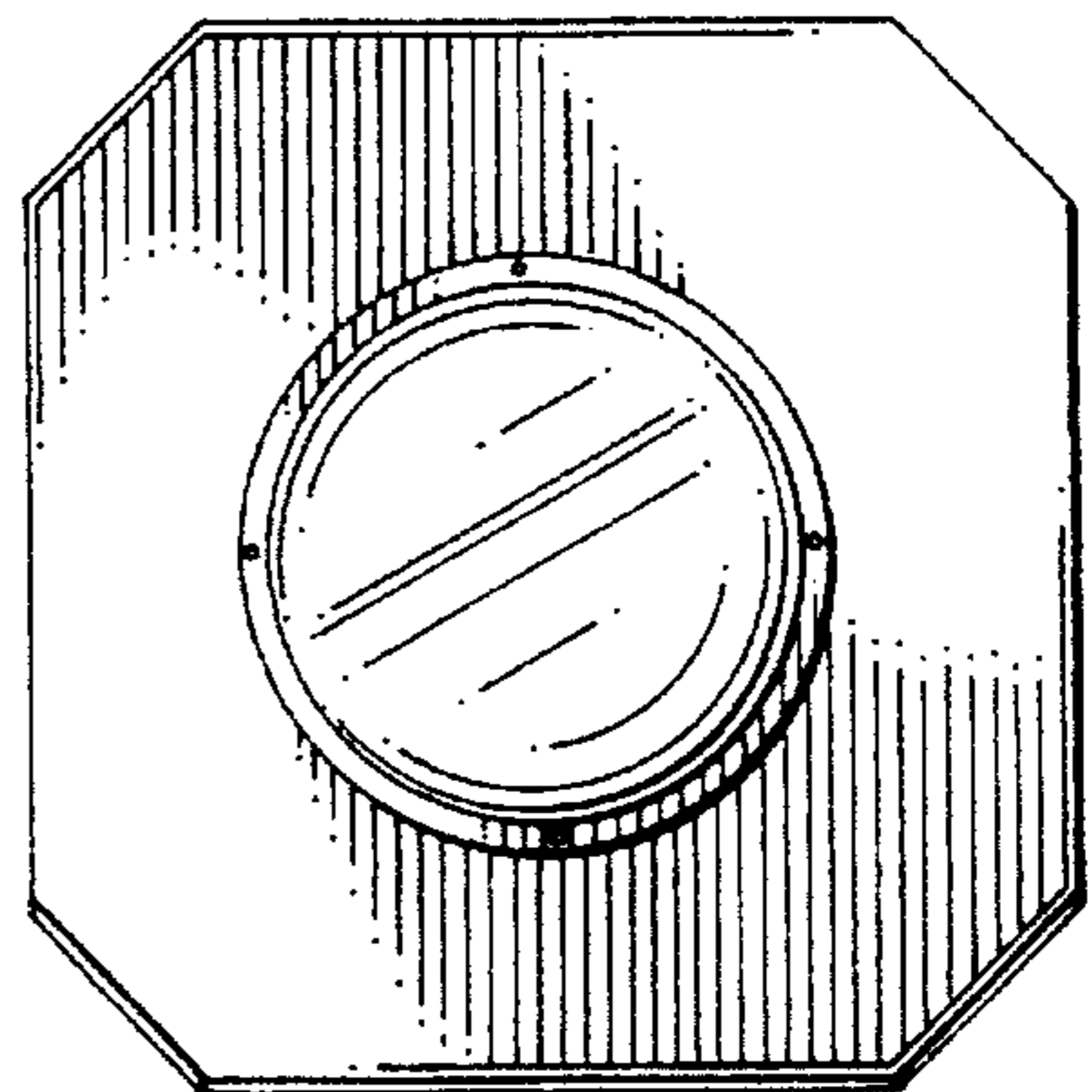


FIG. 6

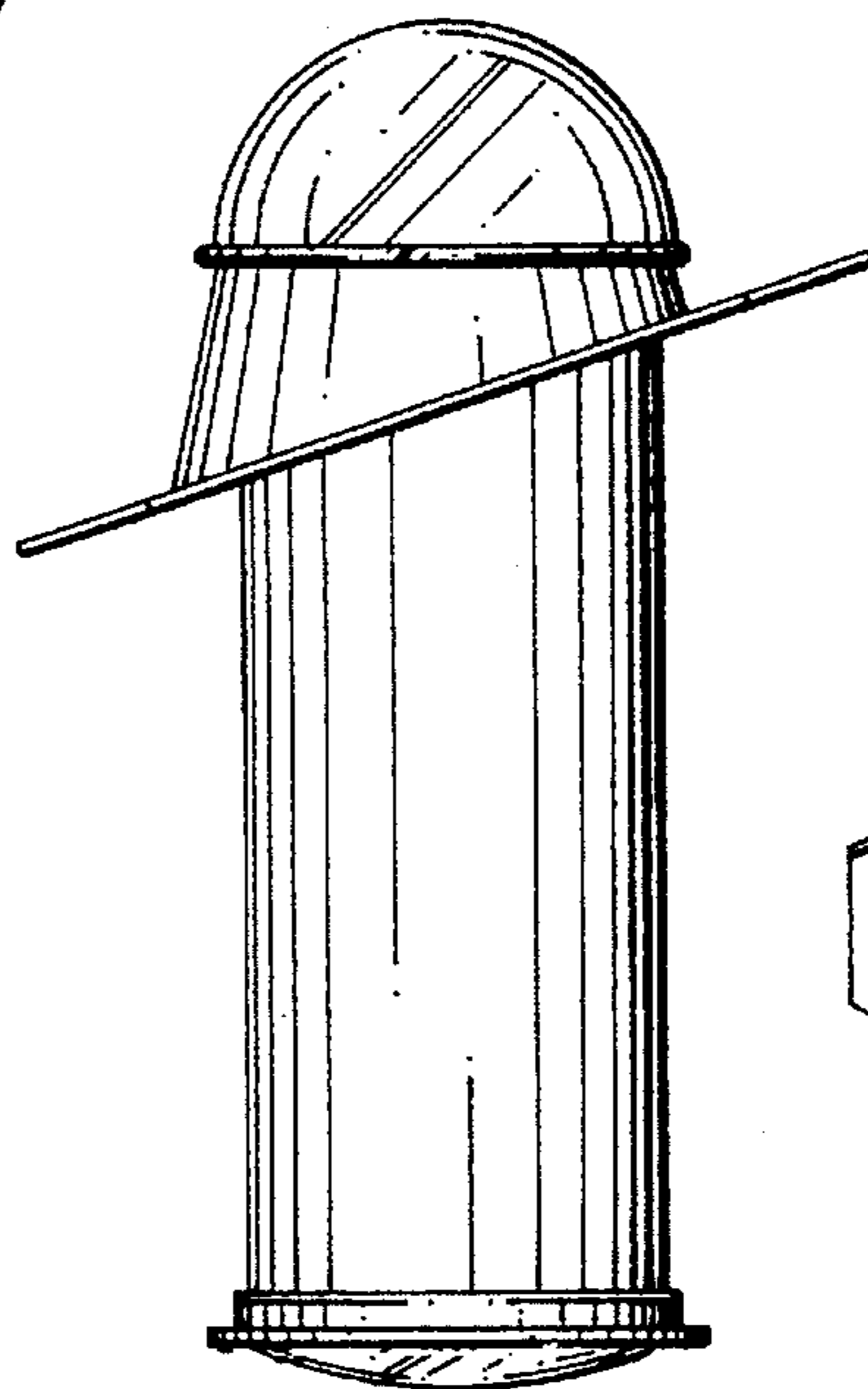


FIG. 2

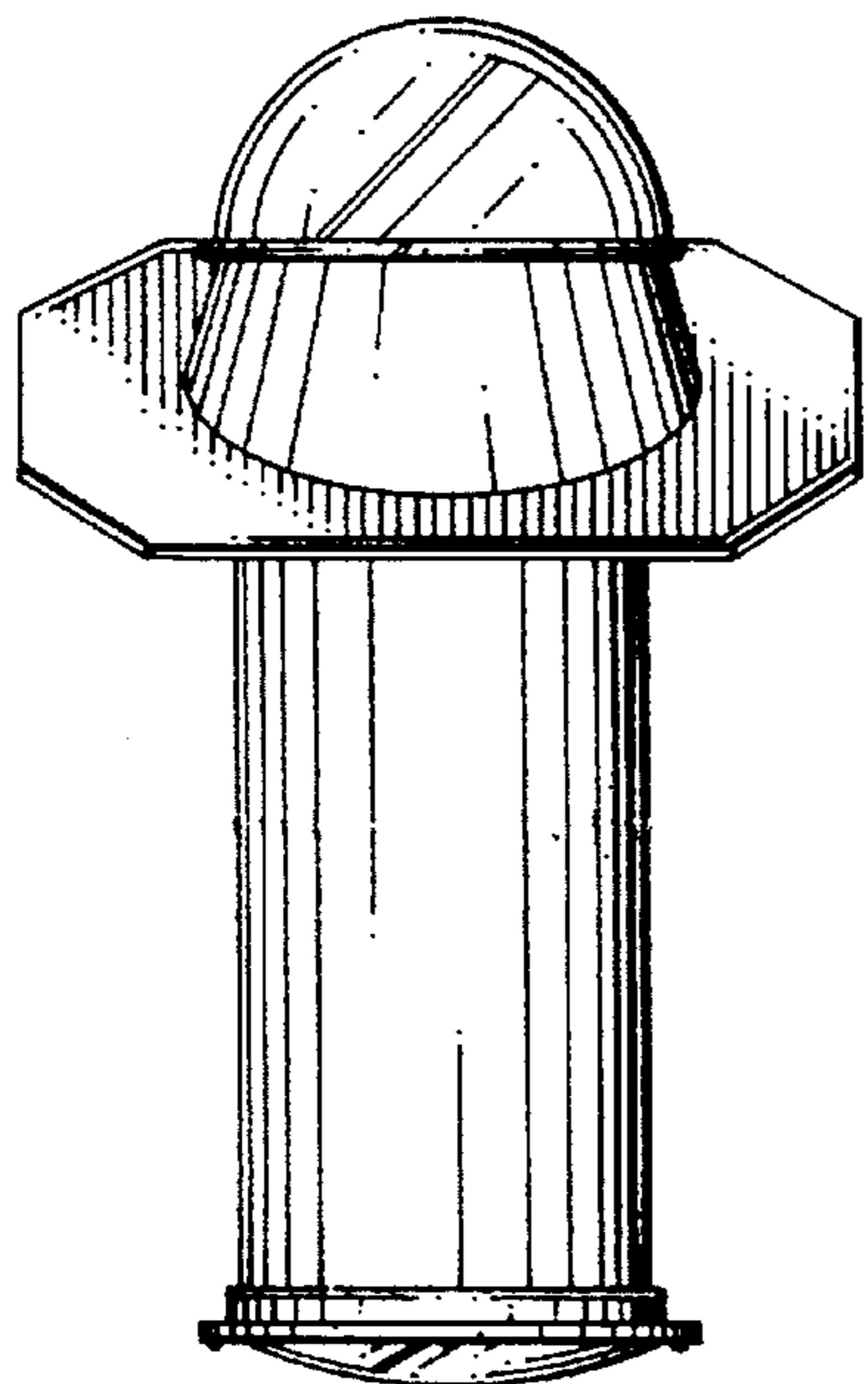


FIG. 3

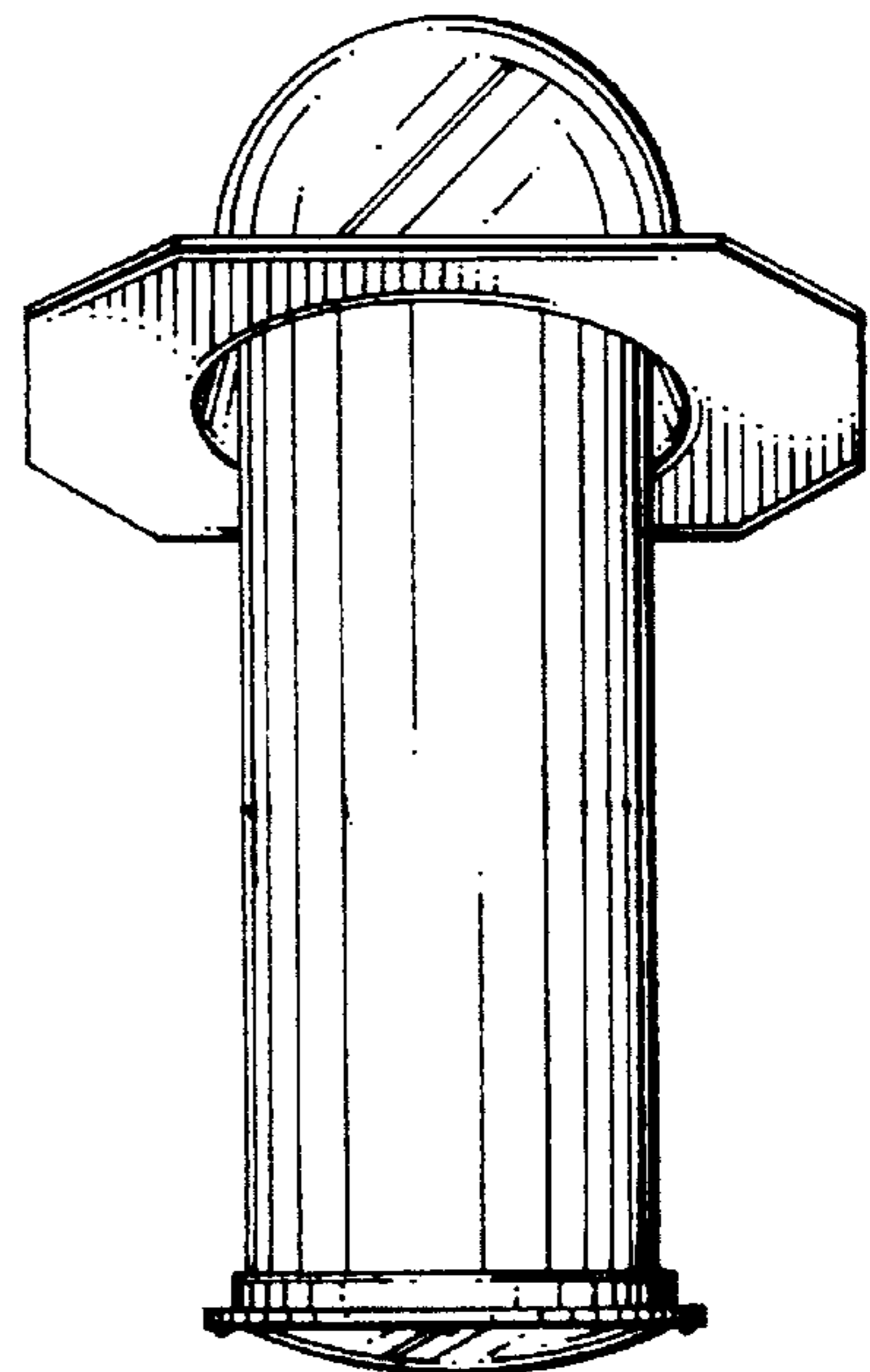


FIG. 4



US008382347B1

REEXAMINATION CERTIFICATE (3923rd)

United States Patent [19]

[11] **B1 Des. 382,347**

Grubb

[45] **Certificate Issued**

Nov. 2, 1999

[54] **TUBULAR SKYLIGHT**

[56]

References Cited

U.S. PATENT DOCUMENTS

[76] **Inventor: Dennis Allen Grubb, 5230 E. Hearn Rd., Scottsdale, Ariz. 85254**

5,099,622 3/1992 Sutton 52/200

OTHER PUBLICATIONS

Reexamination Request:

No. 90/004,804, Oct. 20, 1997

Reexamination Certificate for:

Patent No.: **Des. 382,347**
Issued: **Aug. 12, 1997**
Appl. No.: **29/055,409**
Filed: **Jun. 4, 1996**

“Sola Tube is a Natural Lighting System.” Times Advocate, Dec. 13, 1992.

Sola Tube advertisement, Lighting Systems & Equipment—News, 1993.

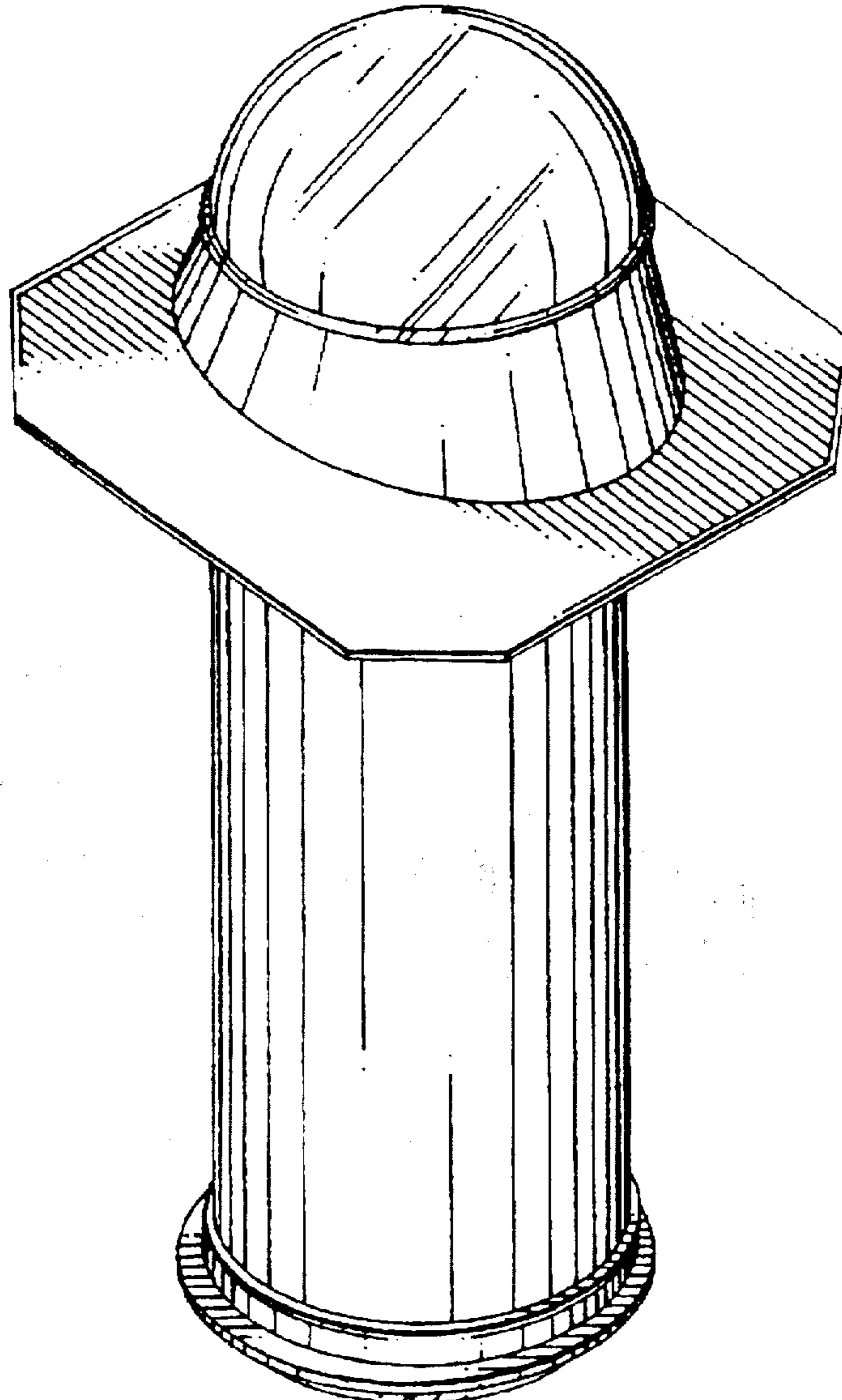
“Award-Winning Skylight Design Saves Energy & Money!”, San Diego Union-Tribune, Oct. 13, 1993.

Skypipe advertisement, published by Skydome Industries in 1993.

“Light from Down Under”. San Diego Home/Garden, Sep. 1993.

- [51] **LOC (6) Cl. 25-02**
- [52] **U.S. Cl. D25/52**
- [58] **Field of Search D25/52; 52/200**

Primary Examiner—D. Clark



1

**REEXAMINATION CERTIFICATE
ISSUED UNDER 35 U.S.C. 307**

NO AMENDMENTS HAVE BEEN MADE TO
THE PATENT

2

AS A RESULT OF REEXAMINATION, IT HAS BEEN
DETERMINED THAT:

The patentability of the single claim is confirmed.

* * * * *