



US00D382344S

# United States Patent [19]

Swedberg et al.

[11] Patent Number: **Des. 382,344**

[45] Date of Patent: **\*\*Aug. 12, 1997**

[54] **COMBINED ELBOW AND KNEE SPLINT**

4,632,106	12/1986	Gamm	.....	D24/190 X
5,135,469	8/1992	Castillo	.....	602/26 X
5,306,230	4/1994	Bodine	.....	602/23 X

[75] Inventors: **Lynn M. Swedberg**, Spokane, Wash.;  
**Kevin W. Bork**, Germantown, Wis.;  
**Karen Lynch**, Fox Point, Wis.; **Debra A. Reina**, Menomonee Falls, Wis.

*Primary Examiner*—Stella Reid  
*Attorney, Agent, or Firm*—Pravel, Hewitt, Kimball & Krieger

[73] Assignee: **Smith & Nephew, Inc.**, Memphis, Tenn.

[57] **CLAIM**

[\*\*] Term: **14 Years**

The ornamental design for a combined elbow and knee splint, as described and shown.

[21] Appl. No.: **47,964**

**DESCRIPTION**

[22] Filed: **Dec. 15, 1995**

[51] LOC (6) Cl. .... **24-04**

[52] U.S. Cl. .... **D24/190**

[58] Field of Search ..... D24/190; 602/5,  
602/20, 23, 26, 16

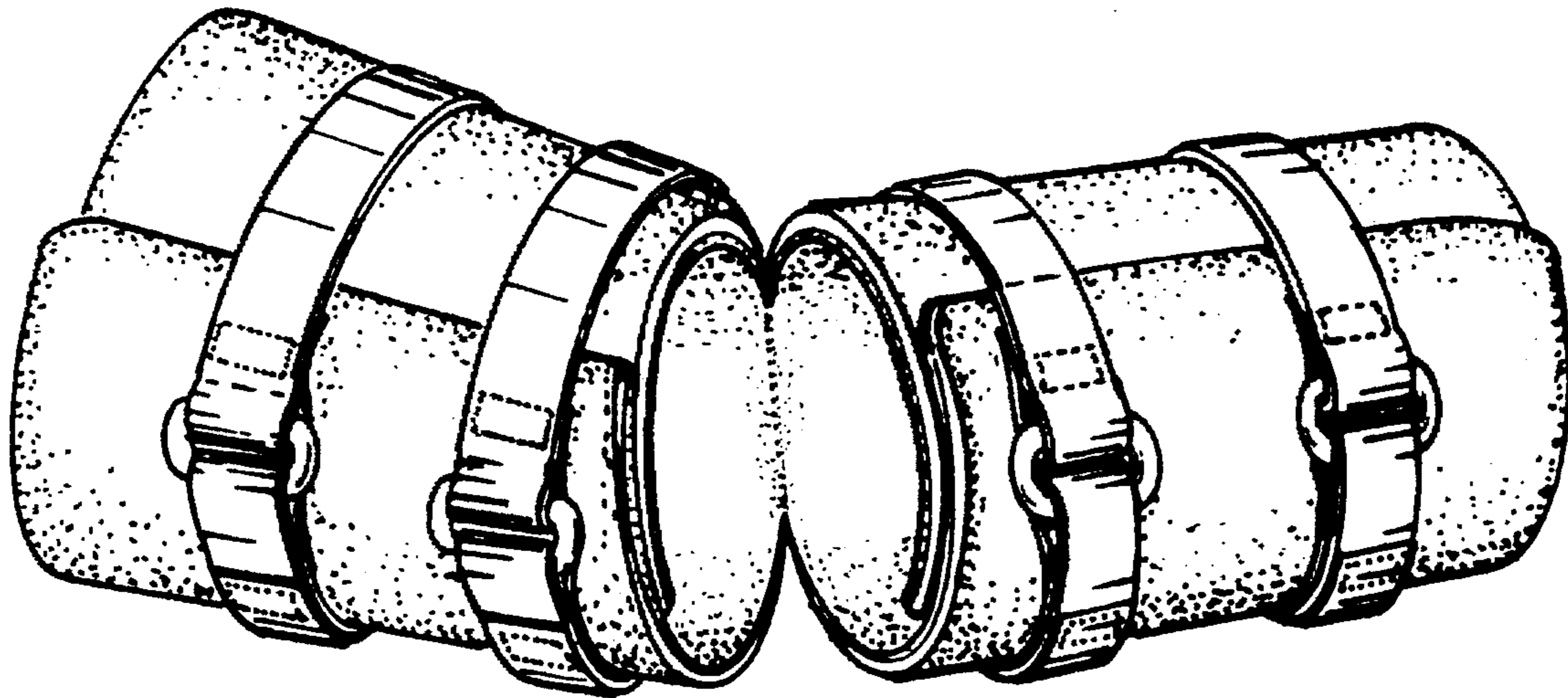
FIG. 1 is a side elevational view of a combined elbow and knee splint, showing our new design;  
FIG. 2 is a back elevational view thereof;  
FIG. 3 is a side elevational view thereof, opposite that shown in FIG. 1;  
FIG. 4 is a front elevational view thereof;  
FIG. 5 is a bottom plan view thereof;  
FIG. 6 is a top plan view thereof; and,  
FIG. 7 is a perspective view thereof.

[56] **References Cited**

**U.S. PATENT DOCUMENTS**

D. 269,379 6/1983 Bledsoe ..... D24/190

**1 Claim, 4 Drawing Sheets**



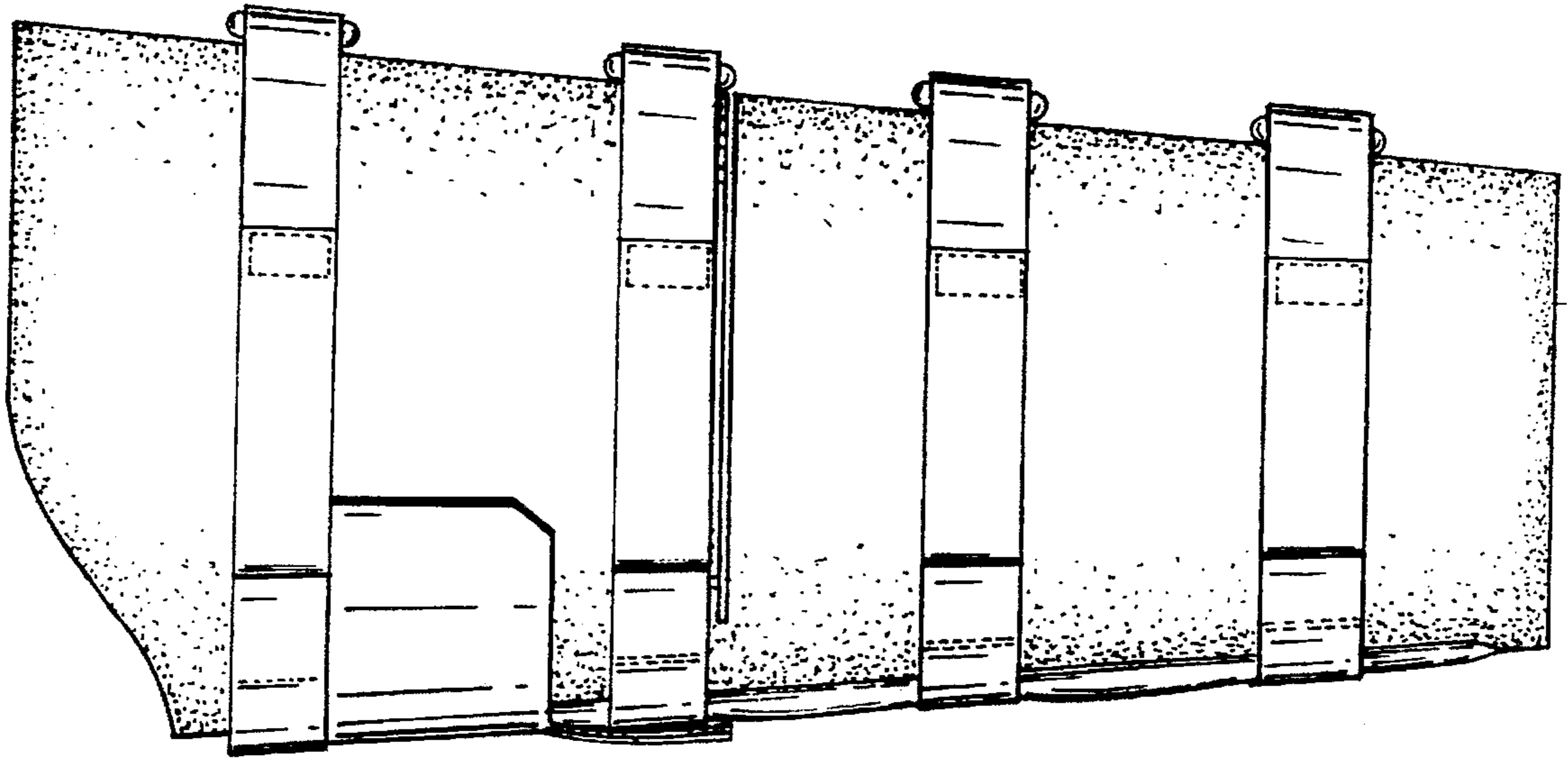


FIG. 1

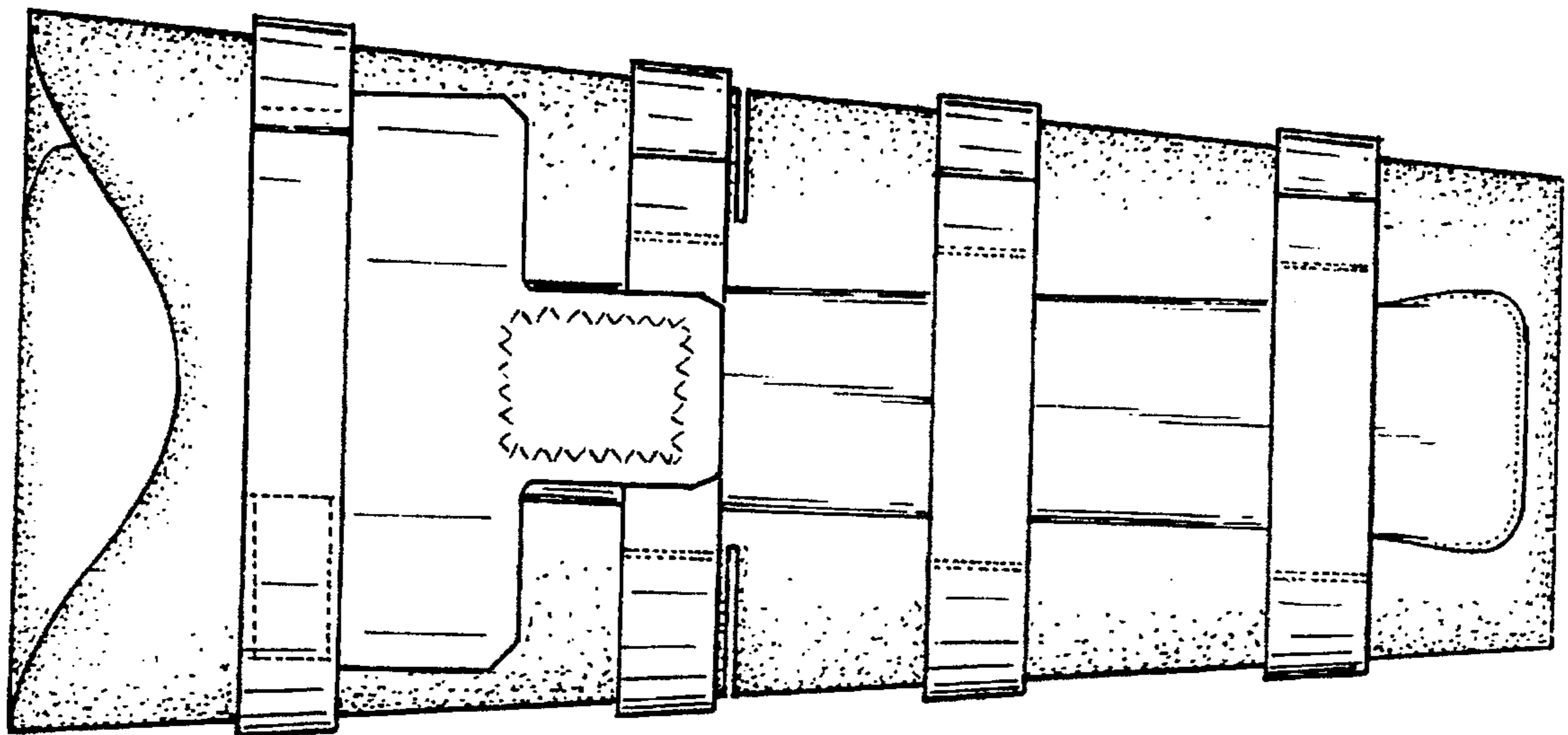


FIG. 2

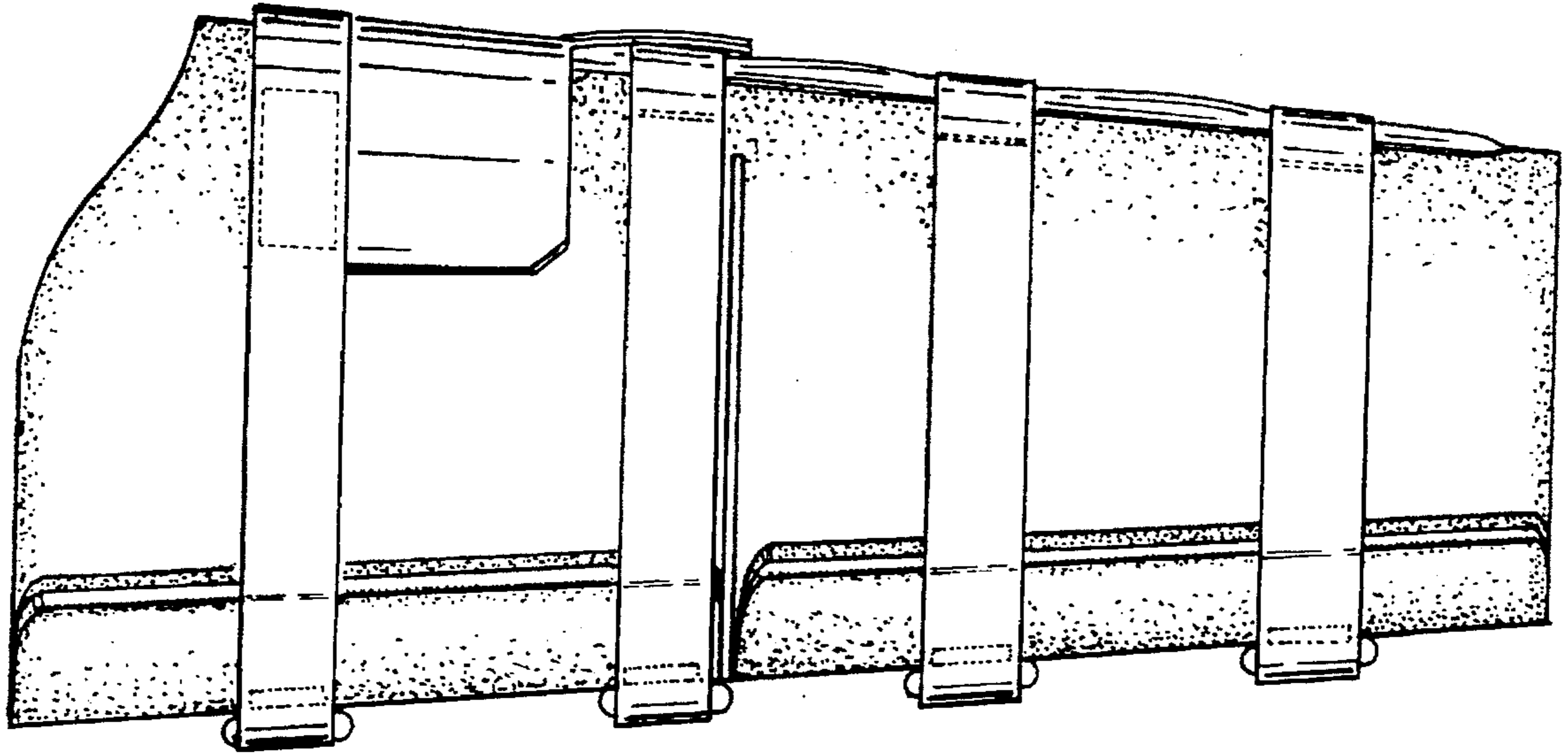


FIG. 3

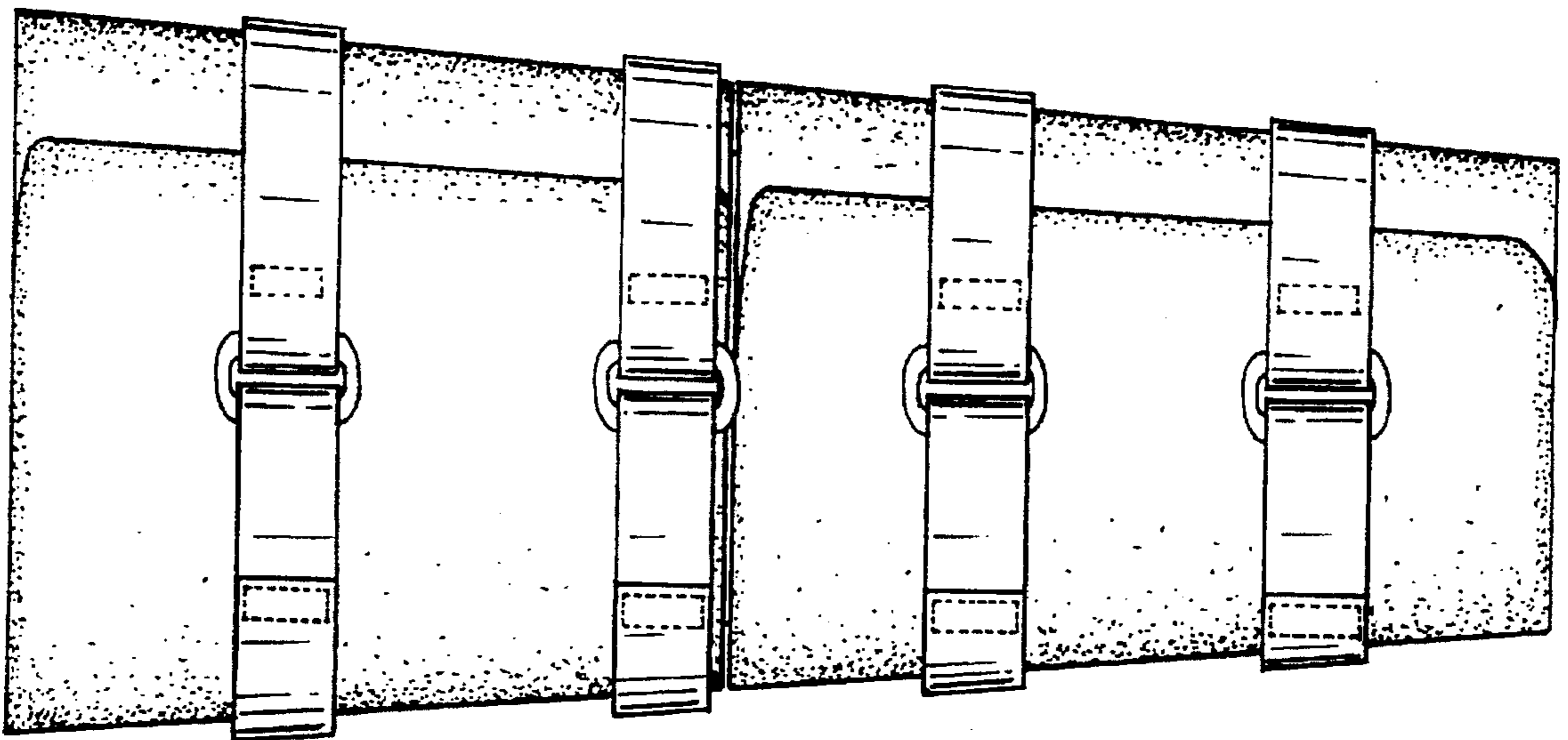


FIG. 4



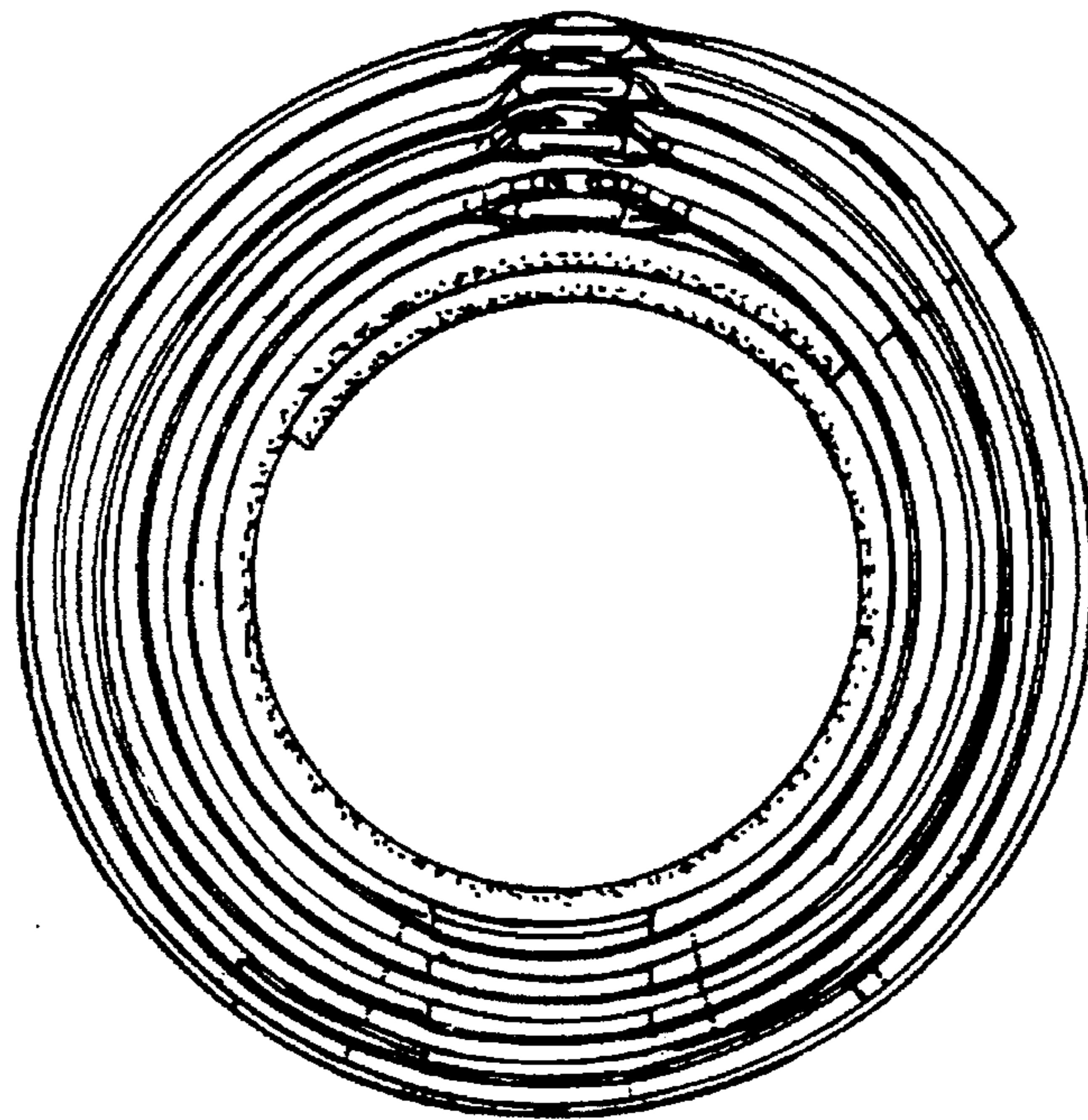


FIG. 5

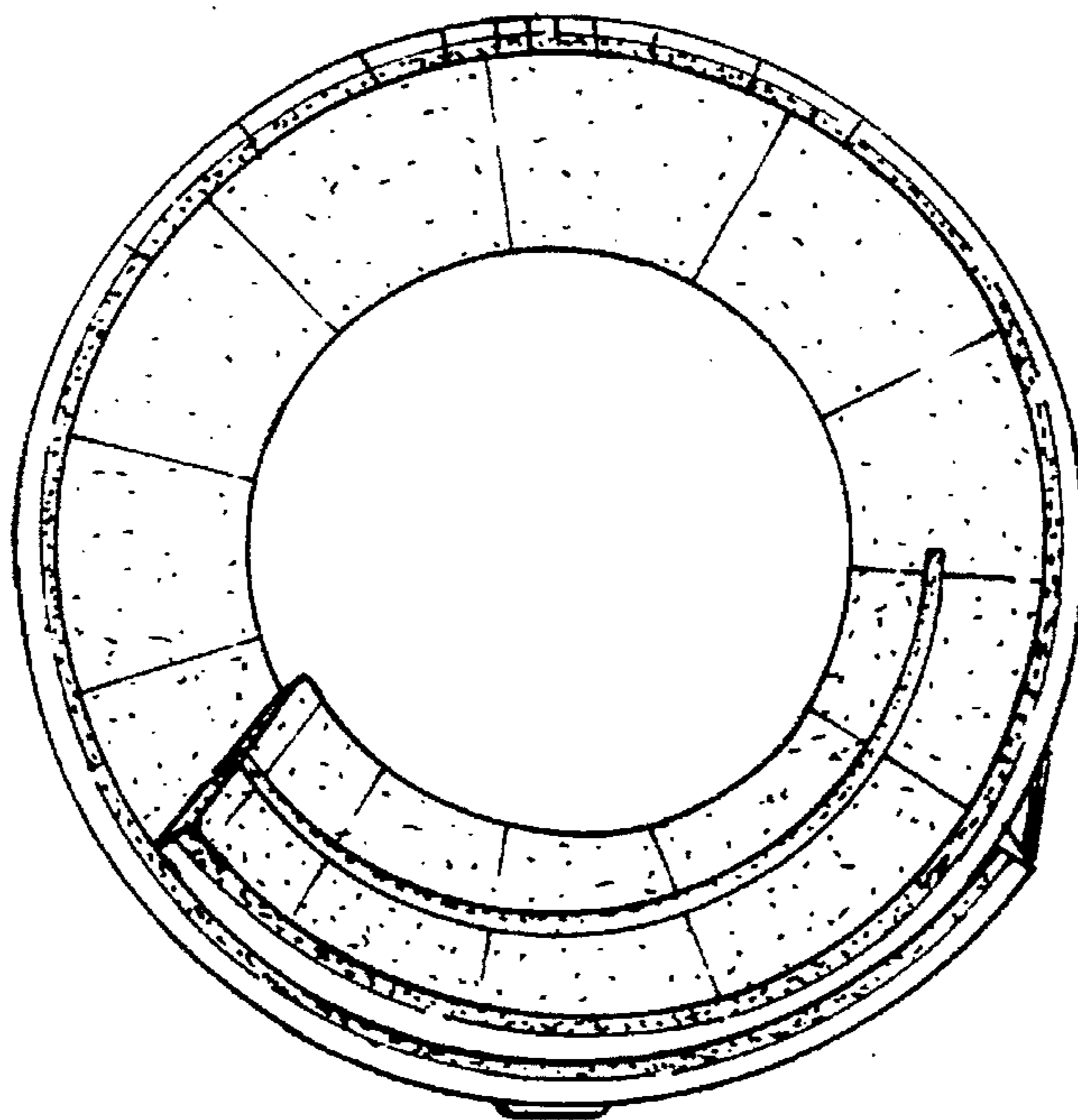


FIG. 6

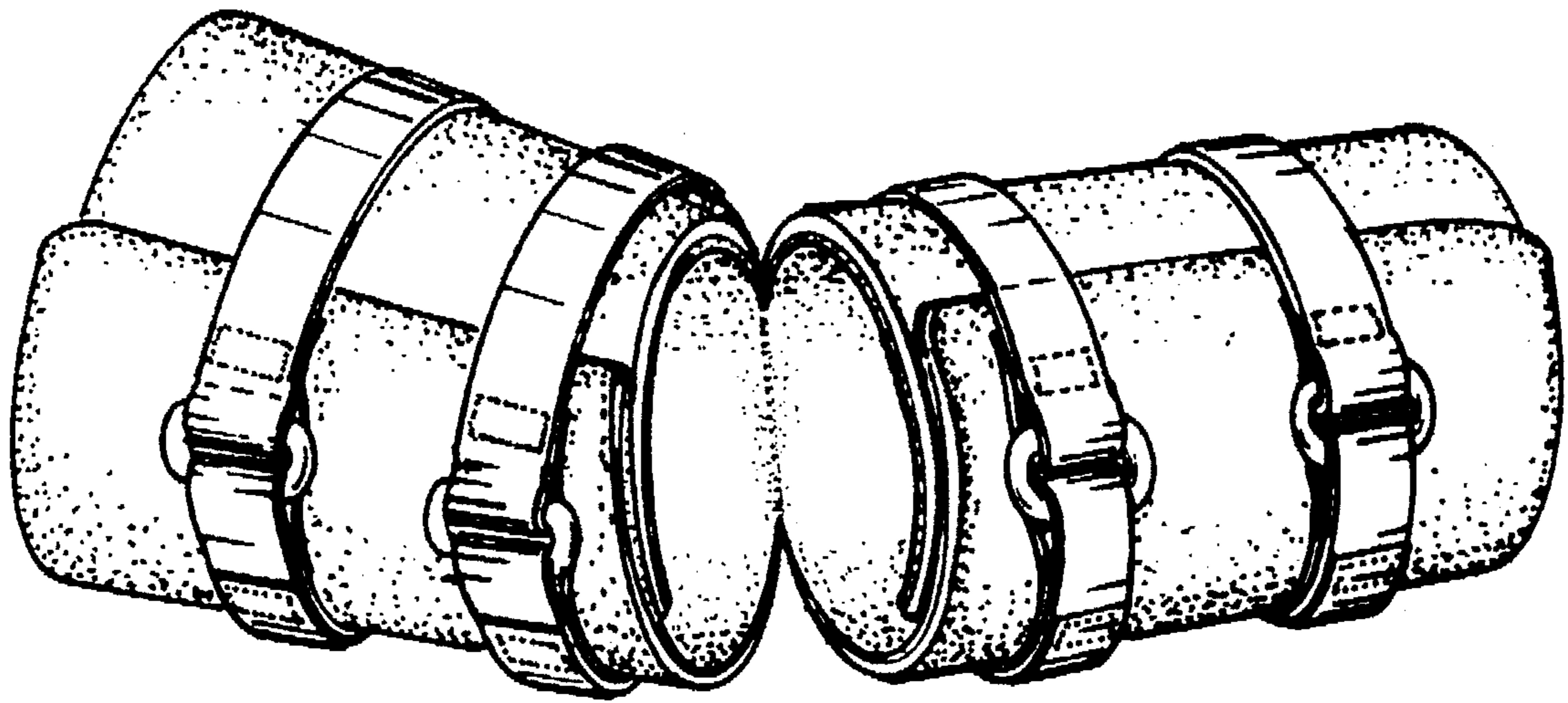


FIG. 7