



US00D382343S

United States Patent [19]

Wandell et al.

[11] Patent Number: **Des. 382,343**

[45] Date of Patent: ****Aug. 12, 1997**

[54] **FILMSTRIP FOR ENHANCING BLOOD FLOW**

[75] Inventors: **Michael Wandell**, Mercer Island, Wash.; **Richard A. Quattrocchi**, Barrington; **Allan Frank**, Chicago, both of Ill.

[73] Assignee: **Home Access Health Corporation**, Hoffman Estates, Ill.

[**] Term: **14 Years**

[21] Appl. No.: **39,884**

[22] Filed: **Jun. 6, 1995**

[51] LOC (6) Cl. **24-04**

[52] U.S. Cl. **D24/189**

[58] **Field of Search** D24/189; 602/41, 602/42, 47; 604/306, 304, 178, 180, 289, 290, 305, 307, 308, 115, 116, 181; 128/888, 893, 894

[56] **References Cited**

U.S. PATENT DOCUMENTS

D. 362,505	9/1995	Fabricant	D24/189
1,736,515	11/1929	Anderson .	
2,426,758	9/1947	Whiteford	128/153
2,579,403	12/1951	Slomowitz et al.	604/306
2,740,401	4/1956	Crawford	128/153
2,807,262	9/1957	Lew	128/156
3,086,531	4/1963	Schutz	128/335

3,476,109	11/1969	Hurney	128/157
3,741,197	6/1973	Sanz et al.	604/305
3,782,377	1/1974	Rychlik	128/132
4,917,112	4/1990	Kalt	128/156
4,943,293	7/1990	Lee, Jr.	606/96
4,988,341	1/1991	Columbus et al.	604/306
5,086,763	2/1992	Hathman	602/42

FOREIGN PATENT DOCUMENTS

647454 8/1962 Canada .

Primary Examiner—Stella Reid
Attorney, Agent, or Firm—Rudnick & Wolfe

[57] **CLAIM**

The ornamental design for a film strip for enhancing blood flow, as shown.

DESCRIPTION

FIG. 1 is a perspective view of a film strip for enhancing blood flow, showing our new design, the broken line showing of a peelable liner is for illustrative purposes only and forms no part of the claimed design;

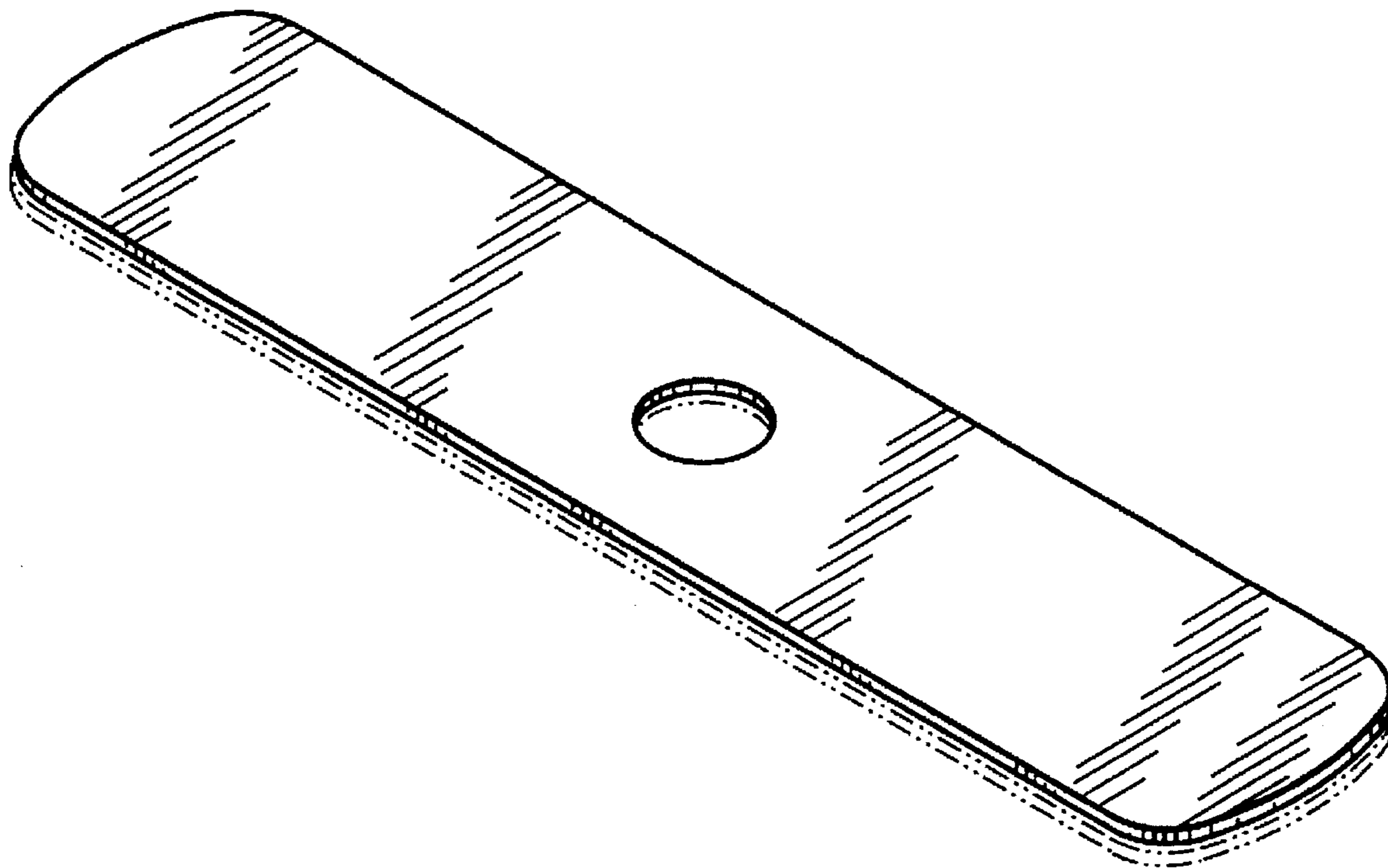
FIG. 2 is a top plan view thereof;

FIG. 3 is a bottom plan view thereof;

FIG. 4 is a front elevational view thereof, with the rear elevational view appearing the same as the front elevational view; and,

FIG. 5 is a right side elevational view, with the left side elevational view appearing the same as the right side elevational view.

1 Claim, 1 Drawing Sheet



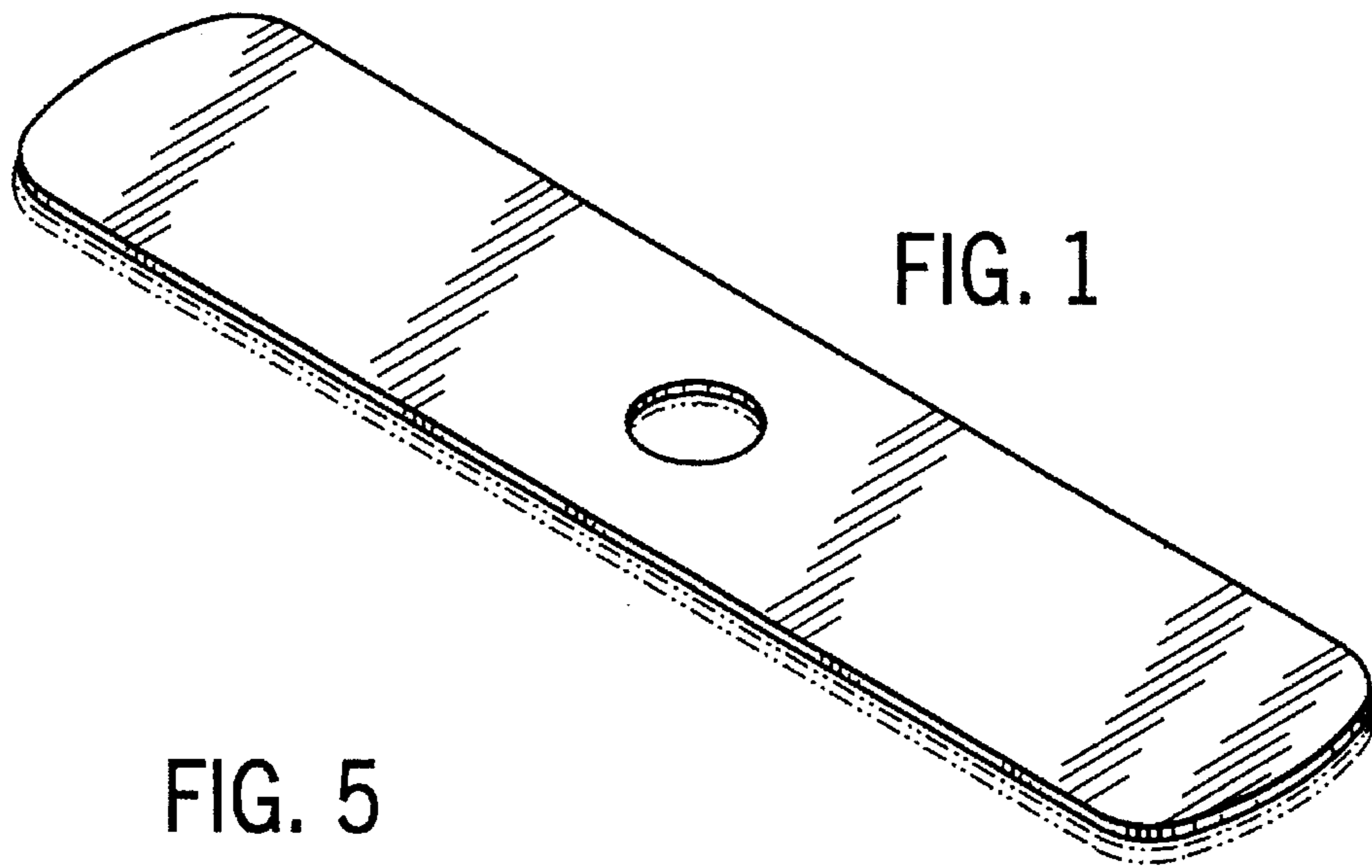


FIG. 5



FIG. 4



FIG. 2



FIG. 3

