



US00D382340S

United States Patent [19]
Oppegaard

[11] **Patent Number: Des. 382,340**

[45] **Date of Patent: **Aug. 12, 1997**

- [54] **SANITARY BARRIER FOR THE ADMINISTRATION OF CPR**
- [76] Inventor: **Steven L. Oppegaard**, 122 Aberdeen Dr., East Dundee, Ill. 60118
- [**] Term: **14 Years**
- [21] Appl. No.: **52,462**
- [22] Filed: **Mar. 26, 1996**
- [51] **LOC (6) Cl. 24-01**
- [52] **U.S. Cl. D24/110**
- [58] **Field of Search D24/110; 128/202.28, 128/202.29, 859, 858, 203.11**

- 4,909,245 3/1990 Wollenhaupt 128/202.28 X
- 4,944,313 7/1990 Katz et al. 128/859
- 5,511,543 4/1996 Shirley 128/203.11
- 5,562,093 10/1996 Gerson 128/203.11

Primary Examiner—Stella Reid
Attorney, Agent, or Firm—James A. Hudak

[57] **CLAIM**

The ornamental design for a sanitary barrier for the administration of CPR, as shown and described.

DESCRIPTION

FIG. 1 is a perspective view of the sanitary barrier for the administration of CPR showing my new design; FIG. 2 is a front elevational view thereof; FIG. 3 is a rear elevational view thereof; FIG. 4 is a left side elevational view thereof, the right side elevational view being a mirror image of the view shown in this Figure; FIG. 5 is a top plan view thereof; and, FIG. 6 is a bottom plan view thereof.

1 Claim, 2 Drawing Sheets

- [56] **References Cited**
- U.S. PATENT DOCUMENTS**
- D. 320,474 10/1991 Flannagan D24/110
- 4,050,457 9/1977 Davidson 128/202.28
- 4,711,237 12/1987 Kaiser 128/136
- 4,819,628 4/1989 Eisenberg et al. 128/202.28 X
- 4,867,148 9/1989 Gomez 128/858

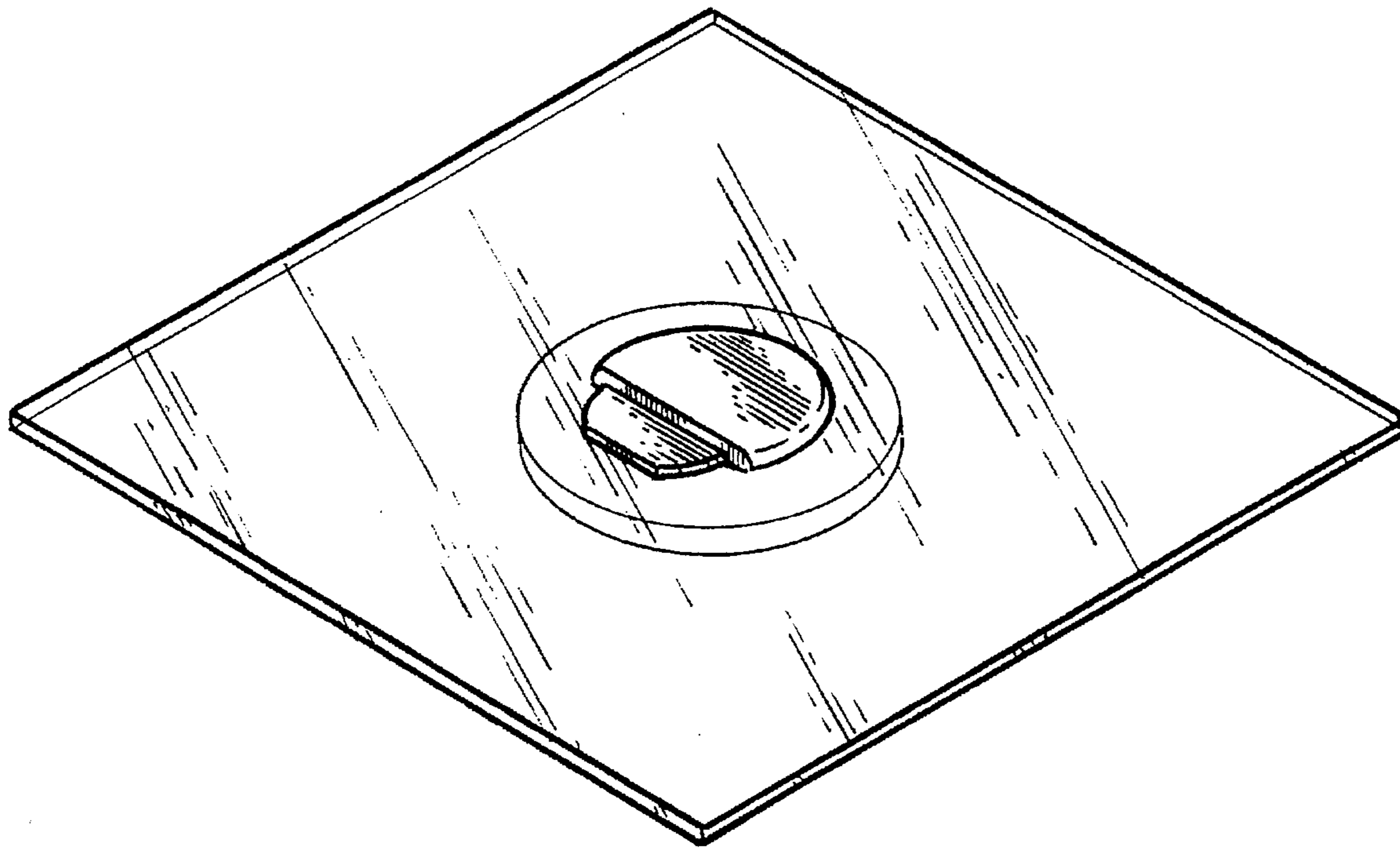


FIG. 1

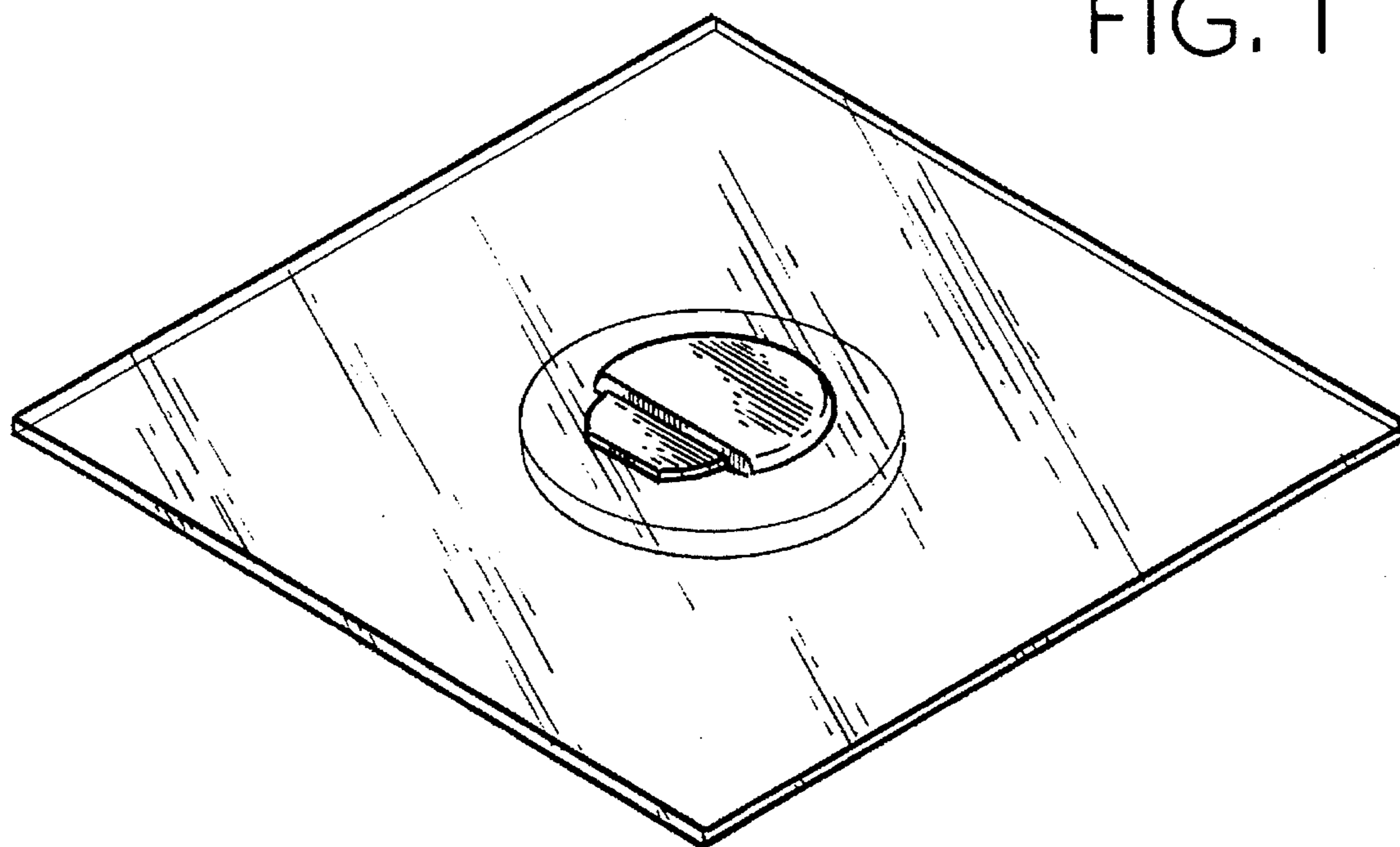




FIG. 2

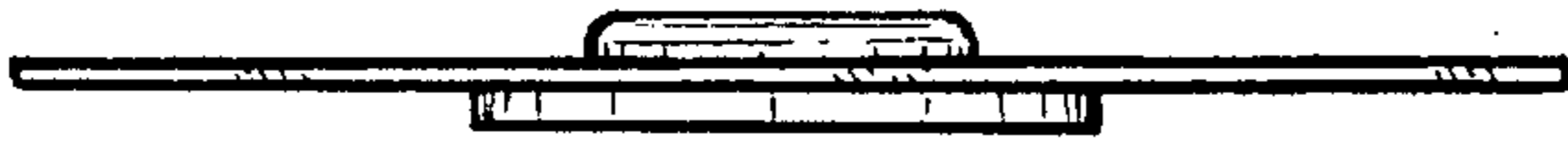


FIG. 3

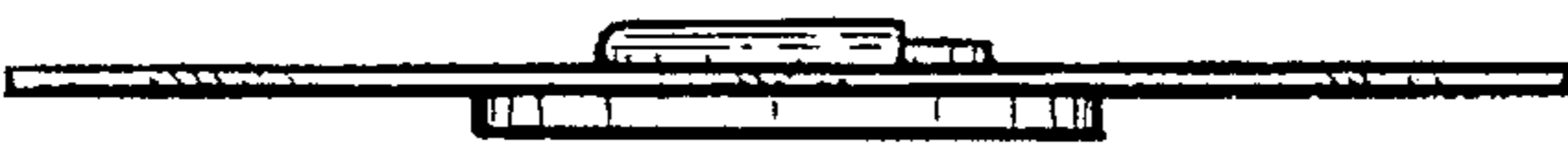


FIG. 4

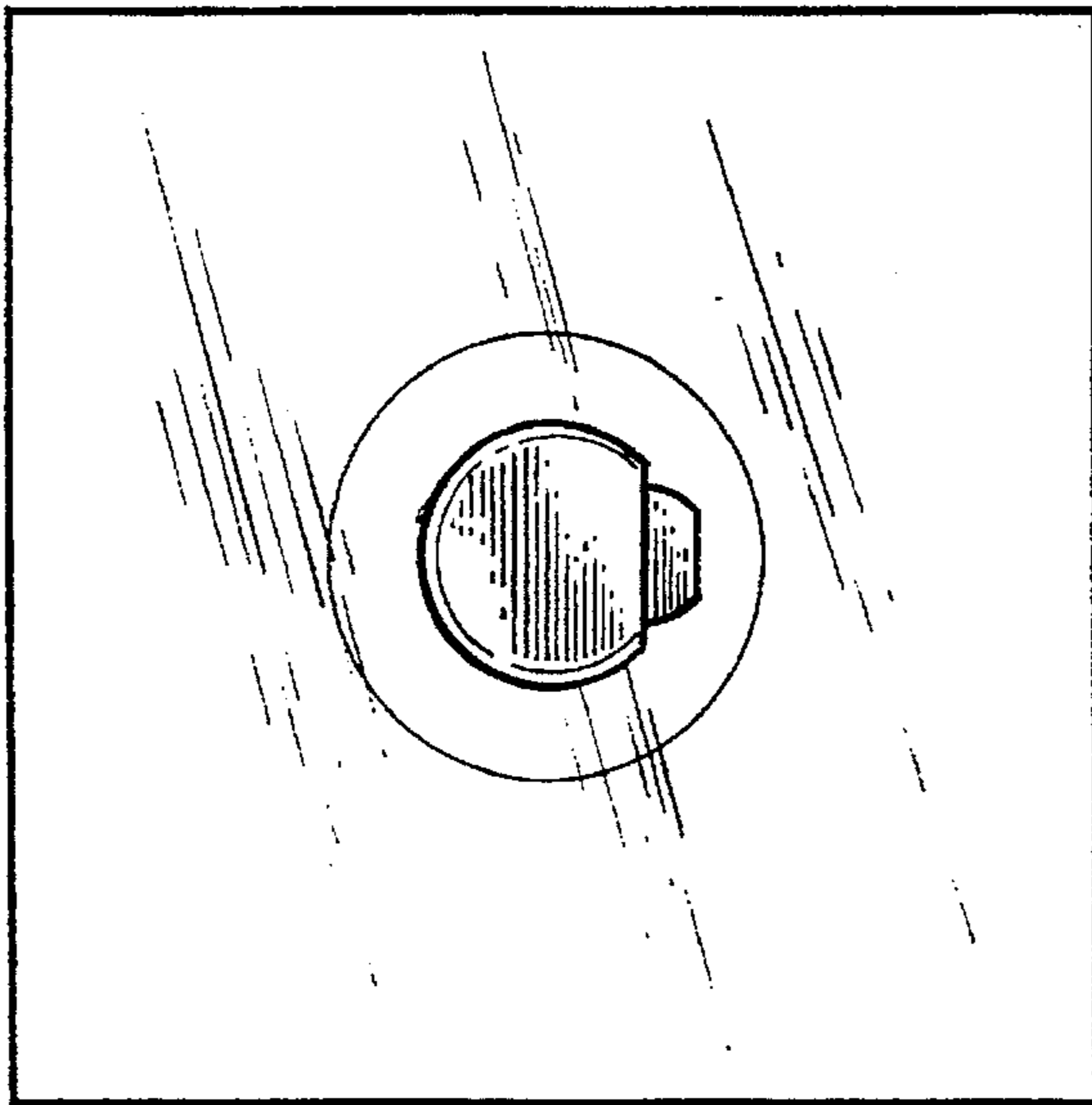


FIG. 5

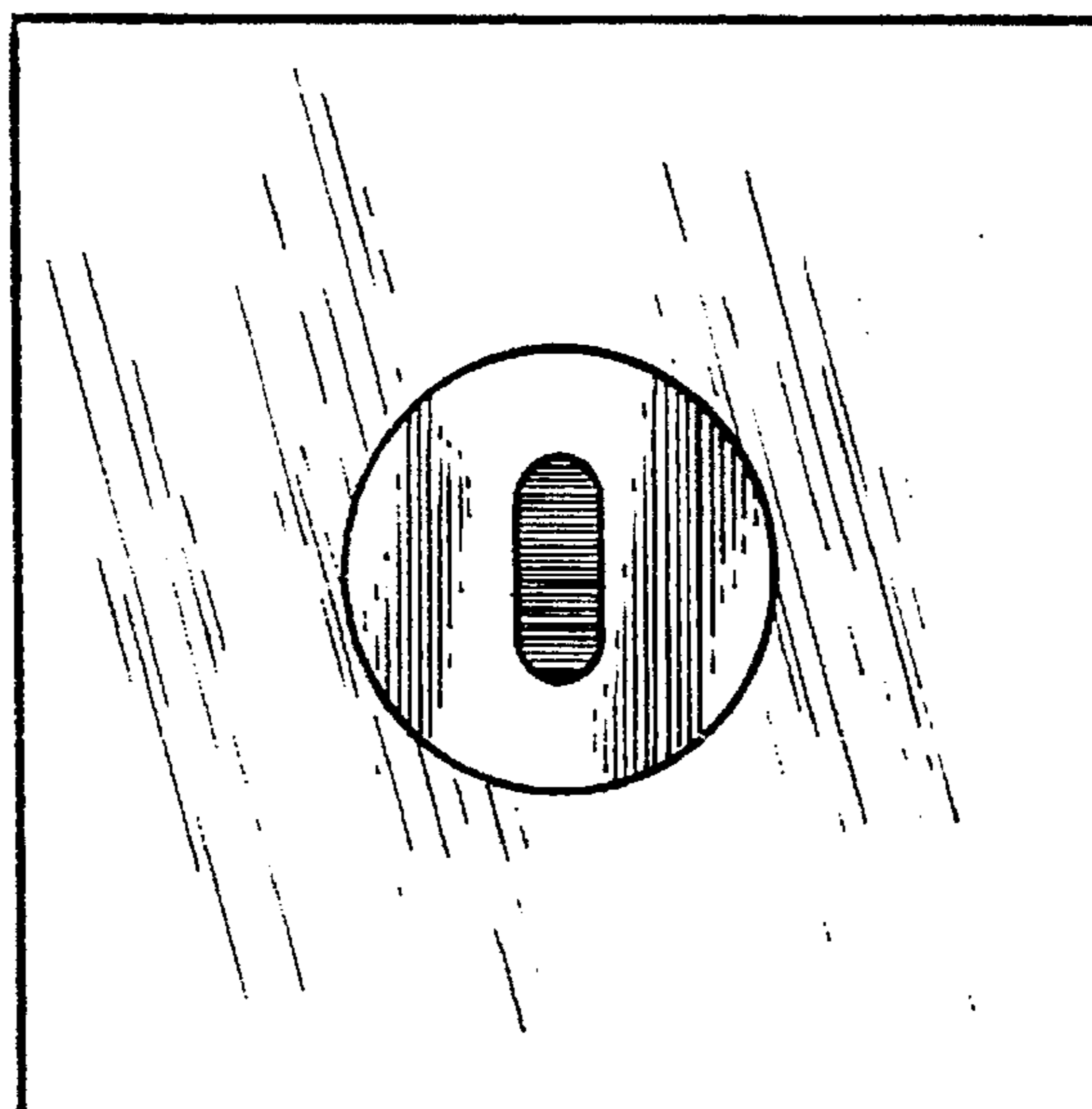


FIG. 6