



US00D382334S

United States Patent [19]

[11] Patent Number: **Des. 382,334**

Kawamura et al.

[45] Date of Patent: ****Aug. 12, 1997**

[54] **COMBINED TOILET BASIN, TOILET SEAT AND SEAT COVER**

D. 250,202	11/1978	Doman et al.	D23/301
D. 268,779	4/1983	Doman .	
D. 275,515	9/1984	Kaiser .	
D. 275,599	9/1984	Enthoven .	
D. 288,588	3/1987	Stairs, Jr. .	
D. 288,589	3/1987	Stairs, Jr. .	
D. 288,590	3/1987	Stairs, Jr. .	
D. 311,242	10/1990	Reid	D23/301

[75] Inventors: **Seijiro Kawamura; Noriko Yoshii Hashida**, both of Kitakyushu, Japan

[73] Assignee: **Toto Ltd.**, Japan

[**] Term: **14 Years**

[21] Appl. No.: **48,071**

[22] Filed: **Dec. 19, 1995**

Primary Examiner—Stella Reid
Assistant Examiner—Eric Watterson
Attorney, Agent, or Firm—Finnegan, Henderson, Farabow, Garrett & Dunner, L.L.P.

Related U.S. Application Data

[60] Division of Ser. No. 025,034, Jun. 27, 1994, Pat. No. Des. 369,400, and a continuation-in-part of Ser. No. 1,004, Oct. 30, 1992, Pat. No. Des. 354,121.

[51] **LOC (6) Cl.** **23-02**

[52] **U.S. Cl.** **D23/295**

[58] **Field of Search** D23/295, 298, D23/299, 300, 301; 4/353, 421, 424, 428, 430

[57] CLAIM

The ornamental design for a combined toilet basin, toilet seat and seat cover, as shown and described.

DESCRIPTION

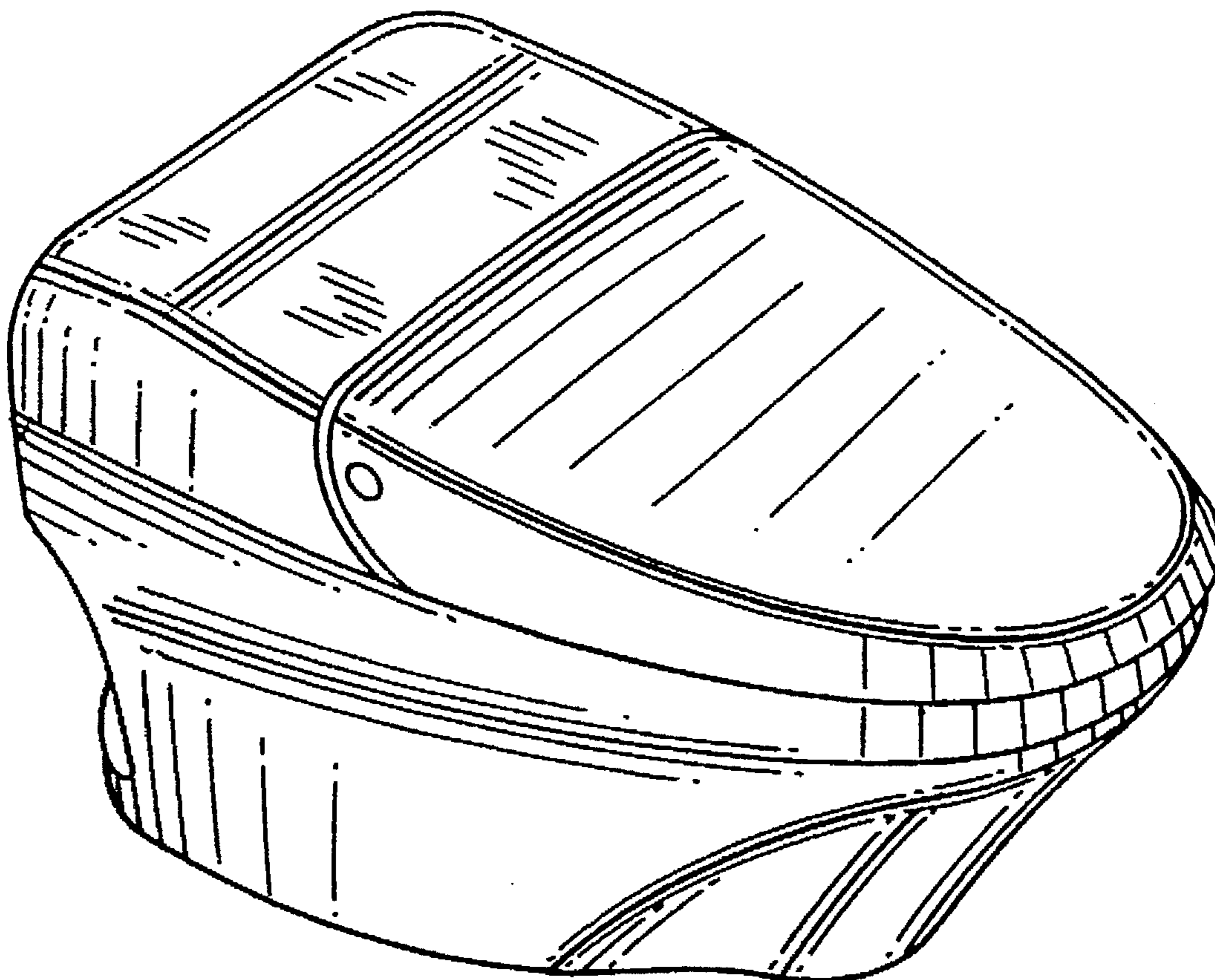
FIG. 1 is a right side elevational view of a combined toilet basin, toilet seat, and seat cover showing my new design, the opposite side being a mirror image;
FIG. 2 is a rear elevational view;
FIG. 3 is a front elevational view;
FIG. 4 is a top plan view;
FIG. 5 is a bottom plan view; and,
FIG. 6 is a perspective view of the front and right side thereof.

[56] References Cited

U.S. PATENT DOCUMENTS

D. 92,215	5/1934	Teahen	D23/301
D. 195,327	6/1963	Lee	D23/299
D. 233,150	10/1974	Workman	D23/299

1 Claim, 3 Drawing Sheets



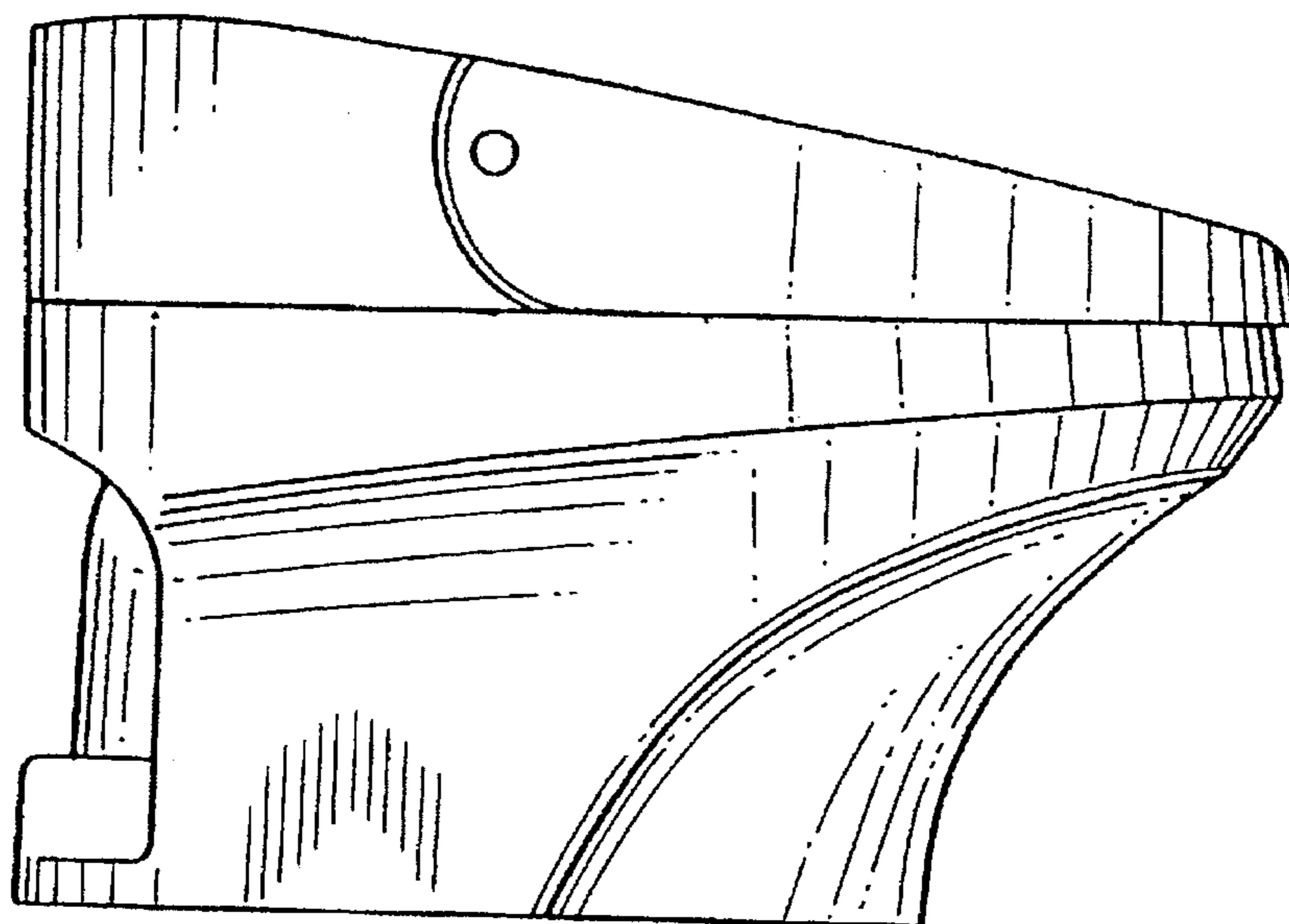


FIG. 1

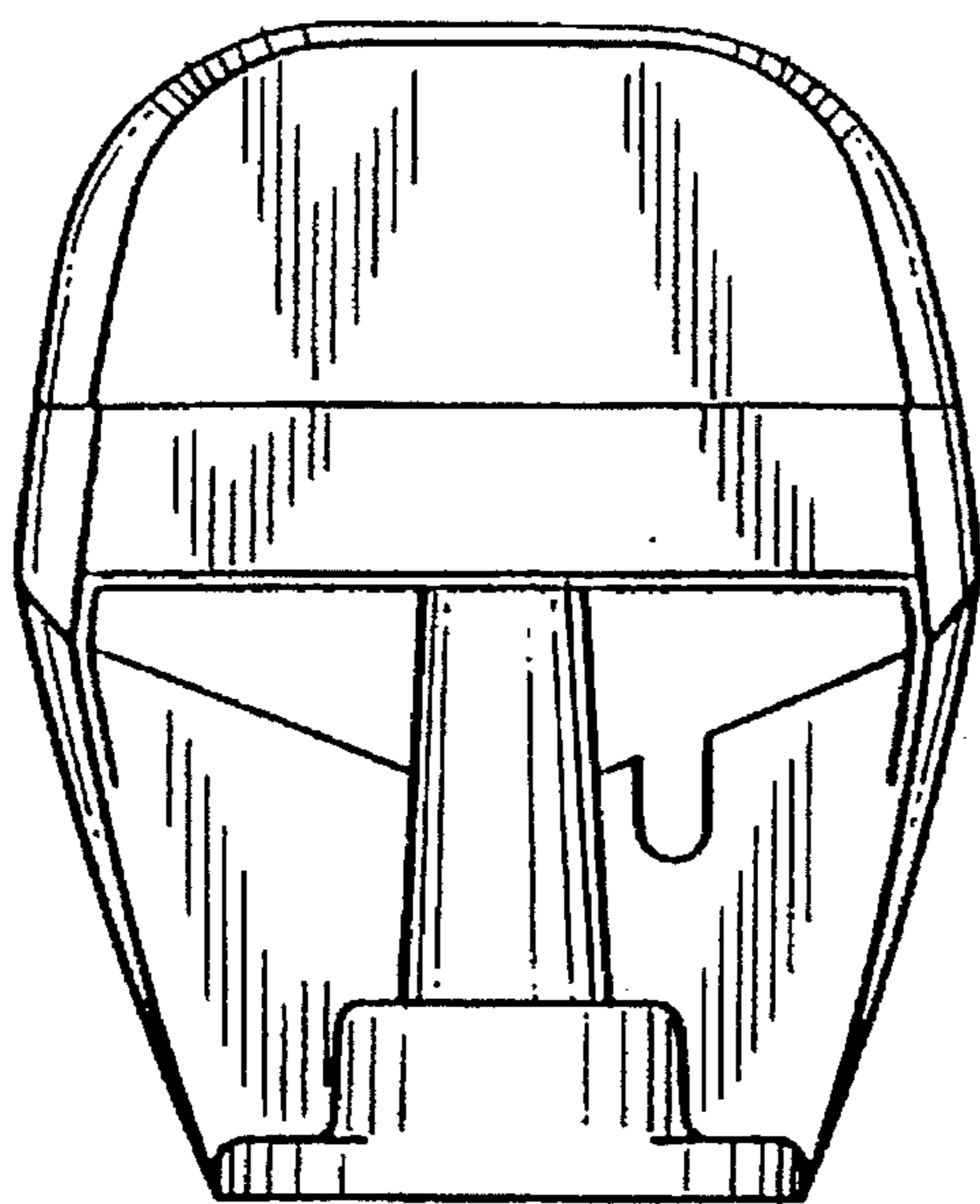


FIG. 2

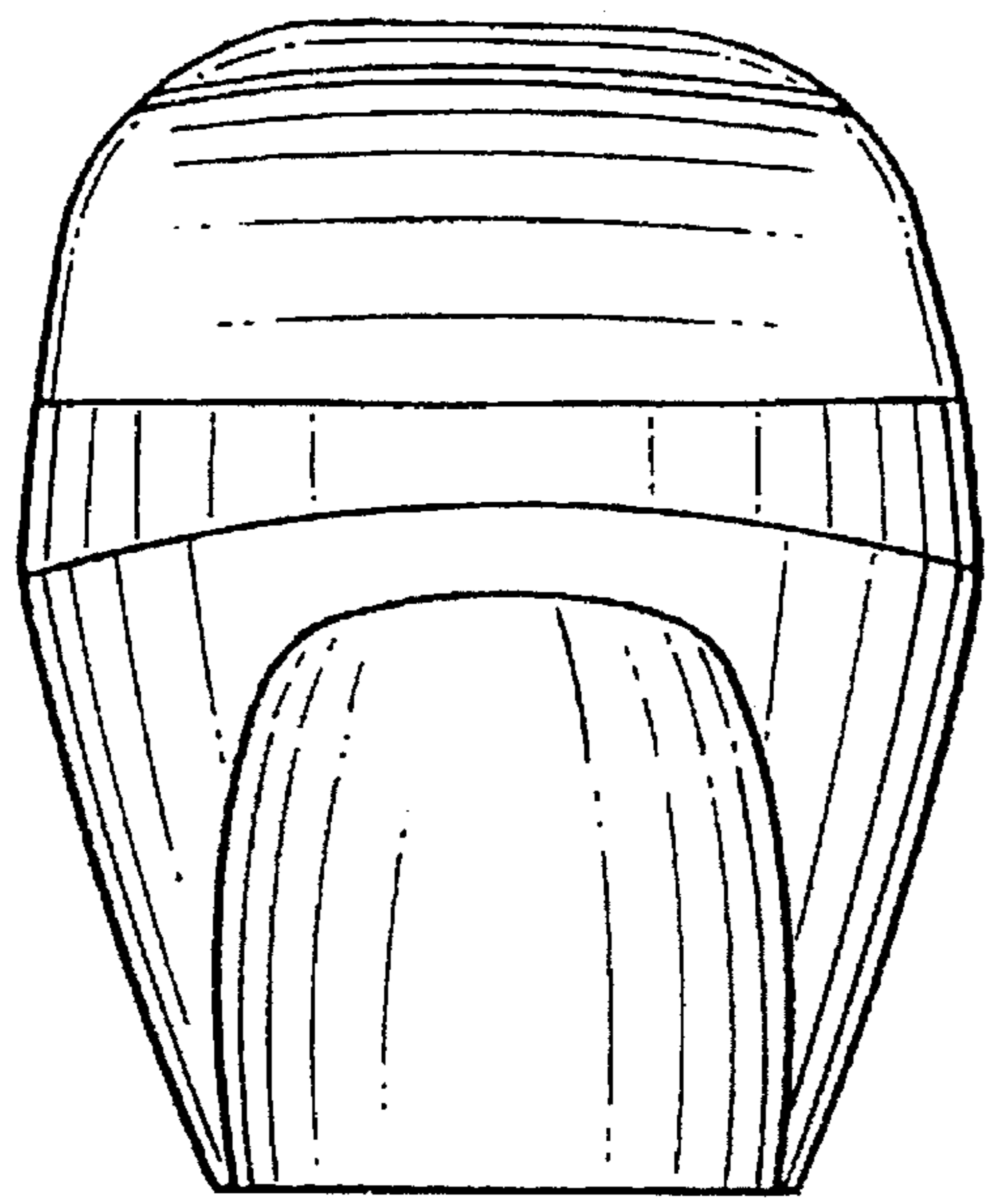


FIG. 3

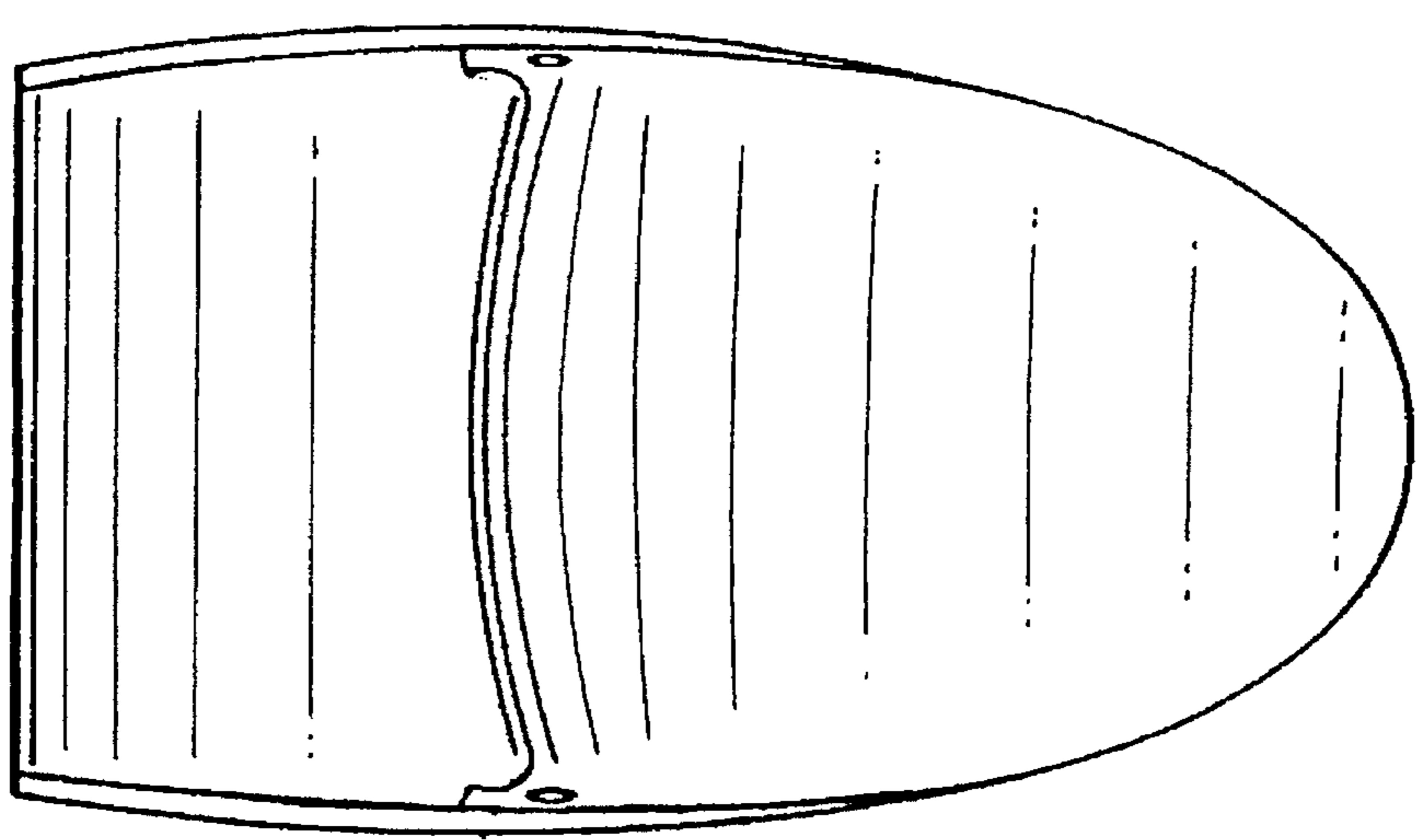


FIG. 4

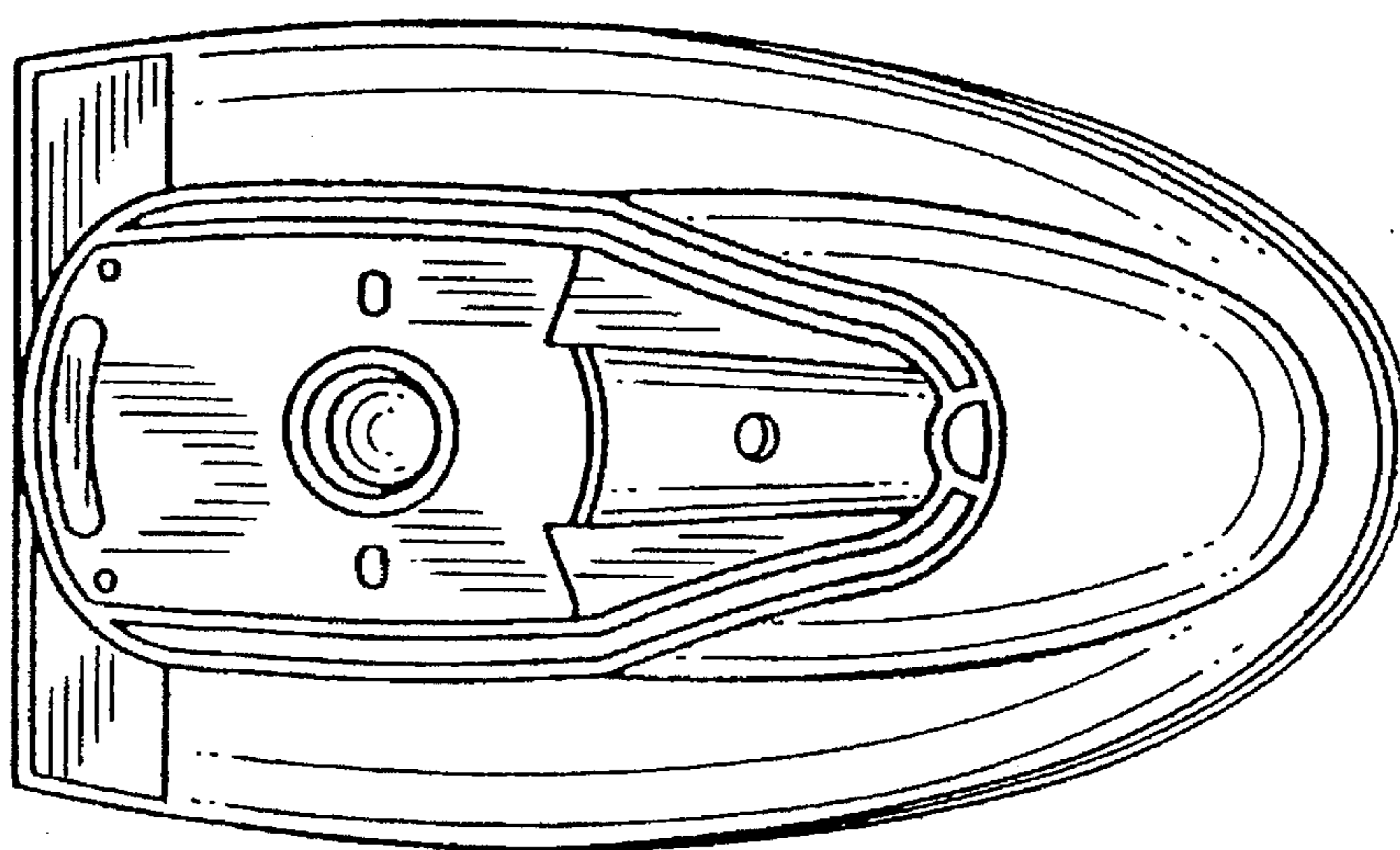


FIG. 5

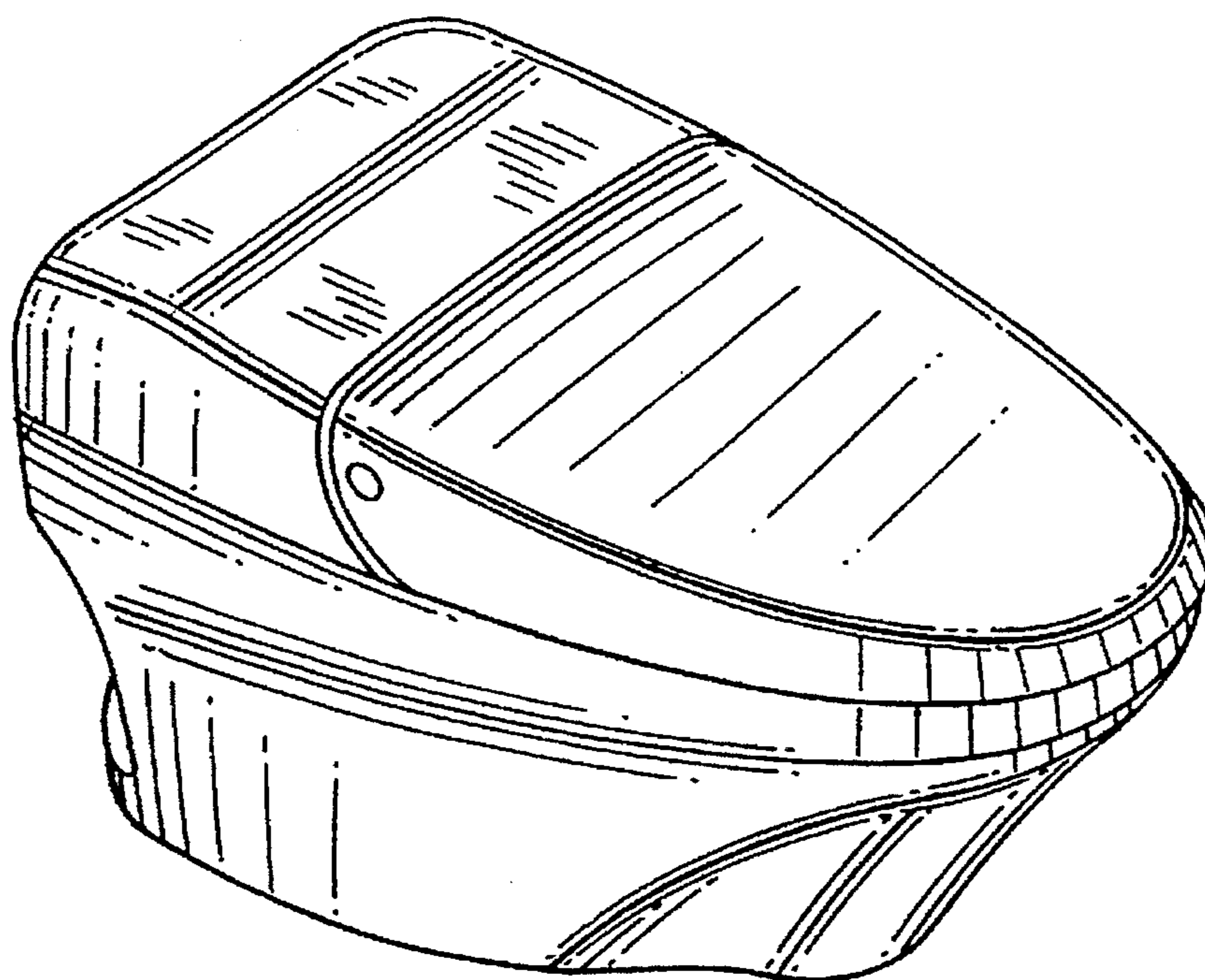


FIG. 6

UNITED STATES PATENT AND TRADEMARK OFFICE
CERTIFICATE OF CORRECTION

PATENT NO. : Des. 382,334
DATED : August 12, 1997
INVENTOR(S) : Seijiro KAWAMURA and Noriko Yoshi HASHIDA

It is certified that error appears in the above-identified patent and that said Letters Patent is hereby corrected as shown below:

Title page, please add item [60], -- Item [30]

Foreign Application Priority Data:

Japanese Patent 5-39883/84/85 - filed 12/28/93; and
Japanese Patent 5-39886/87/88 - filed 12/28/93 --.

Signed and Sealed this
Twenty-fourth Day of February, 1998

Attest:



BRUCE LEHMAN

Attesting Officer

Commissioner of Patents and Trademarks