



US00D382331S

United States Patent [19]

[11] Patent Number: Des. 382,331

Iida et al.

[45] Date of Patent: **Aug. 12, 1997

[54] FLUID PRESSURE CYLINDER FOR A CONVEYOR BELT

5,402,875	4/1995	Markin et al.	198/346.1
5,470,428	11/1995	Sanko	198/346.2 X
5,551,821	9/1996	Hall	198/346.2 X

[75] Inventors: Kenji Iida; Takayuki Sawada, both of Ibaraki-ken, Japan

Primary Examiner—Stella Reid
Assistant Examiner—Eric Watterson
Attorney, Agent, or Firm—Oblon, Spivak, McClelland, Maier & Neustadt, P.C.

[73] Assignee: SMC Kabushiki Kaisha, Tokyo, Japan

[**] Term: 14 Years

[57] CLAIM

[21] Appl. No.: 45,661

The ornamental design for a fluid pressure cylinder for a conveyor belt, as shown.

[22] Filed: Oct. 26, 1995

DESCRIPTION

[30] Foreign Application Priority Data

May 11, 1995 [JP] Japan 7-13083

FIG. 1 is a top plan view of a fluid pressure cylinder for a conveyor belt showing our new design;
FIG. 2 is a front view thereof;
FIG. 3 is a right side view thereof;
FIG. 4 is a left side view thereof;
FIG. 5 is a bottom view thereof;
FIG. 6 is a perspective view thereof;
FIG. 7 is a cross-sectional view along 7—7 of FIG. 2 thereof; and,
FIG. 8 is a cross-sectional view along 8—8 of FIG. 1 thereof.

[51] LOC (6) Cl. 12-05

[52] U.S. Cl. D23/245

[58] Field of Search D23/233-237,
D23/244-249; 198/346.1, 346.2; 254/104;
29/339, 430

[56] References Cited

U.S. PATENT DOCUMENTS

5,241,732	9/1993	Tseng	29/339
5,271,139	12/1993	Sticht	29/430

1 Claim, 4 Drawing Sheets

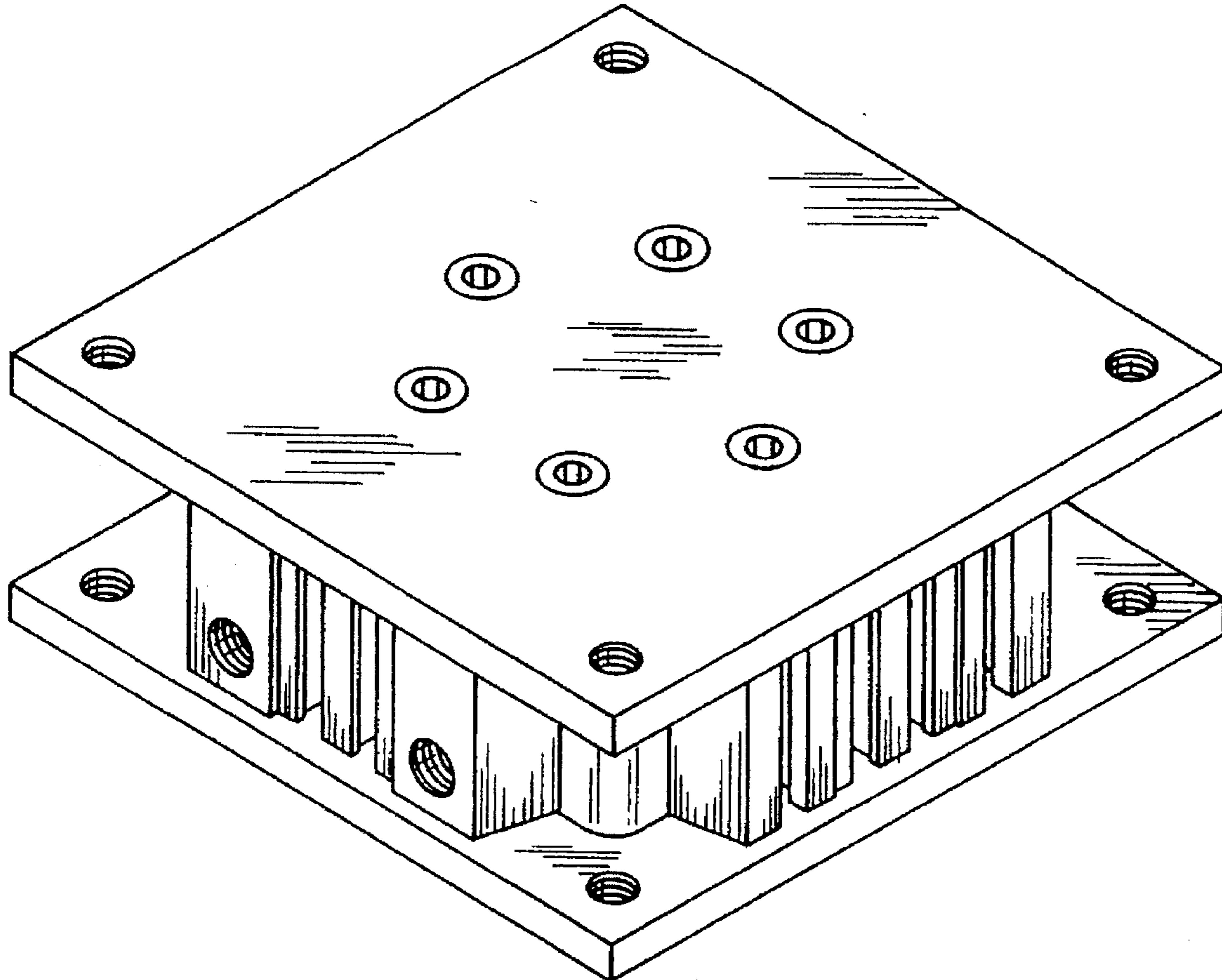


FIG.1

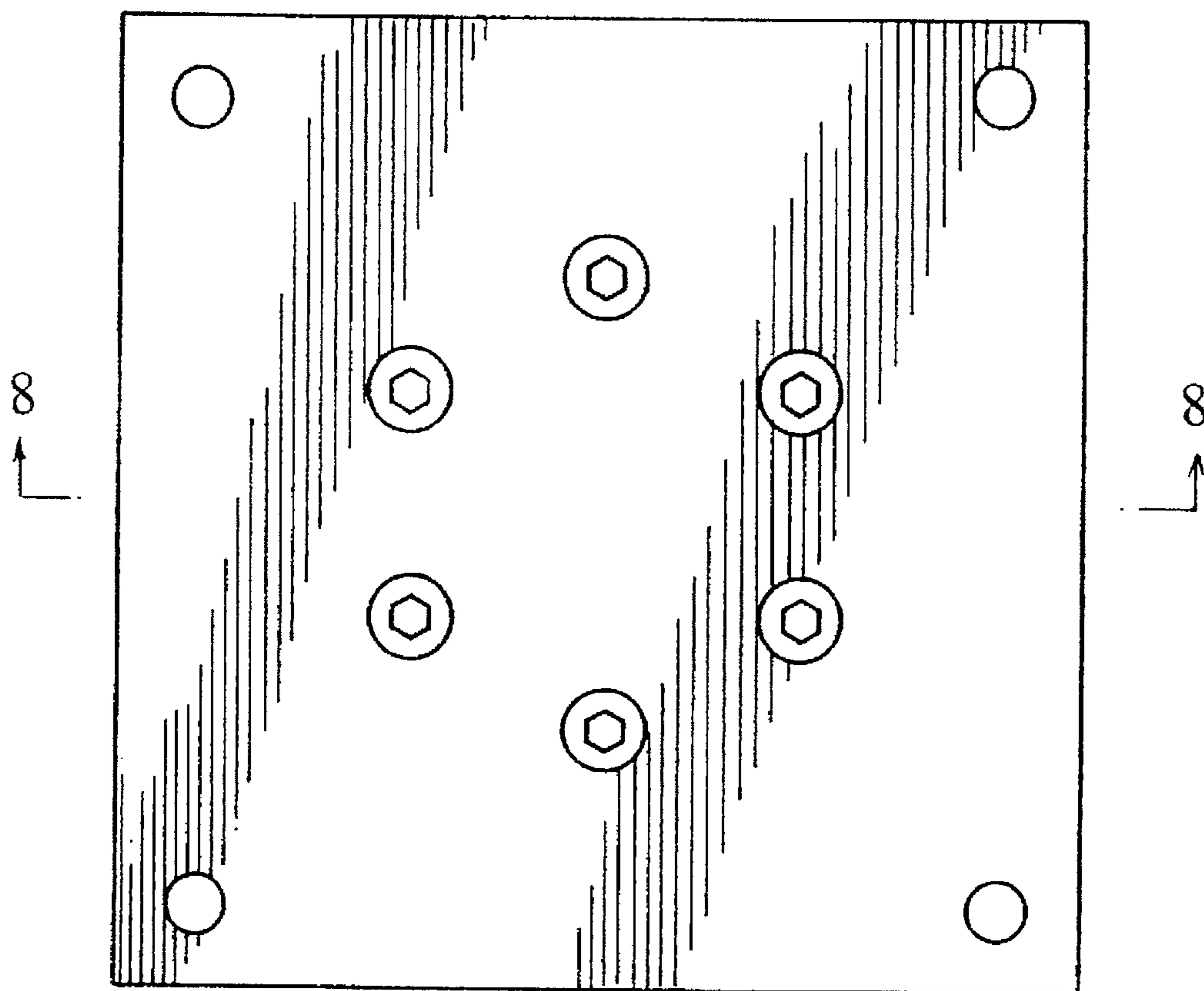


FIG.2

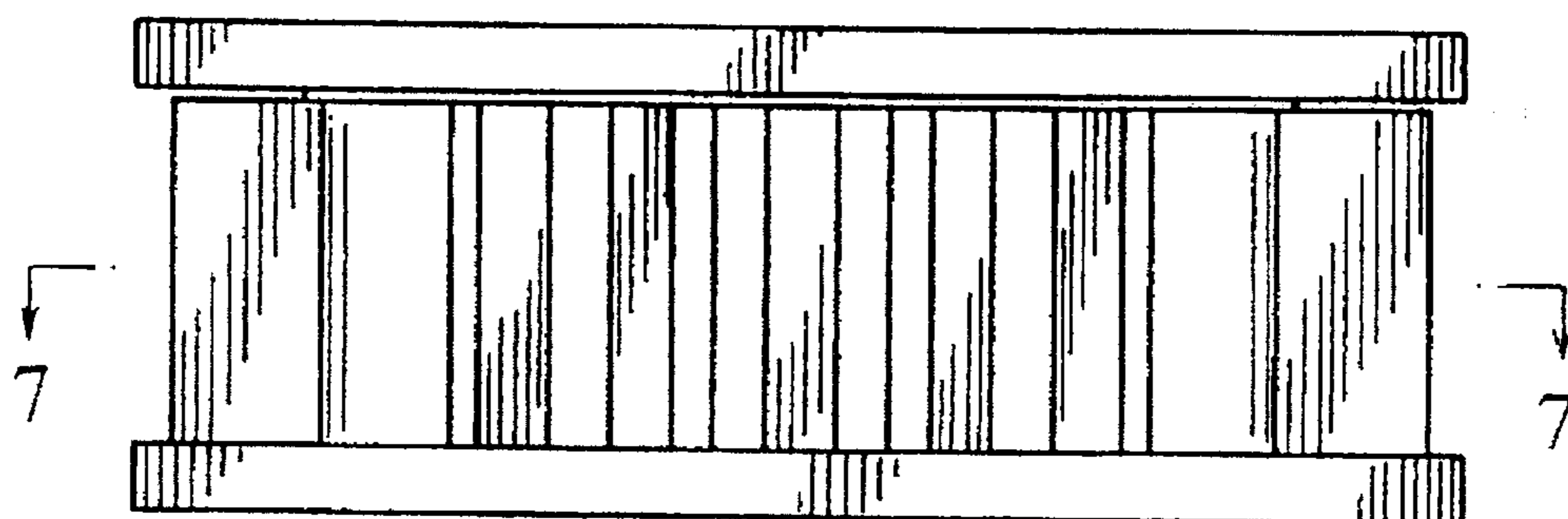


FIG.3

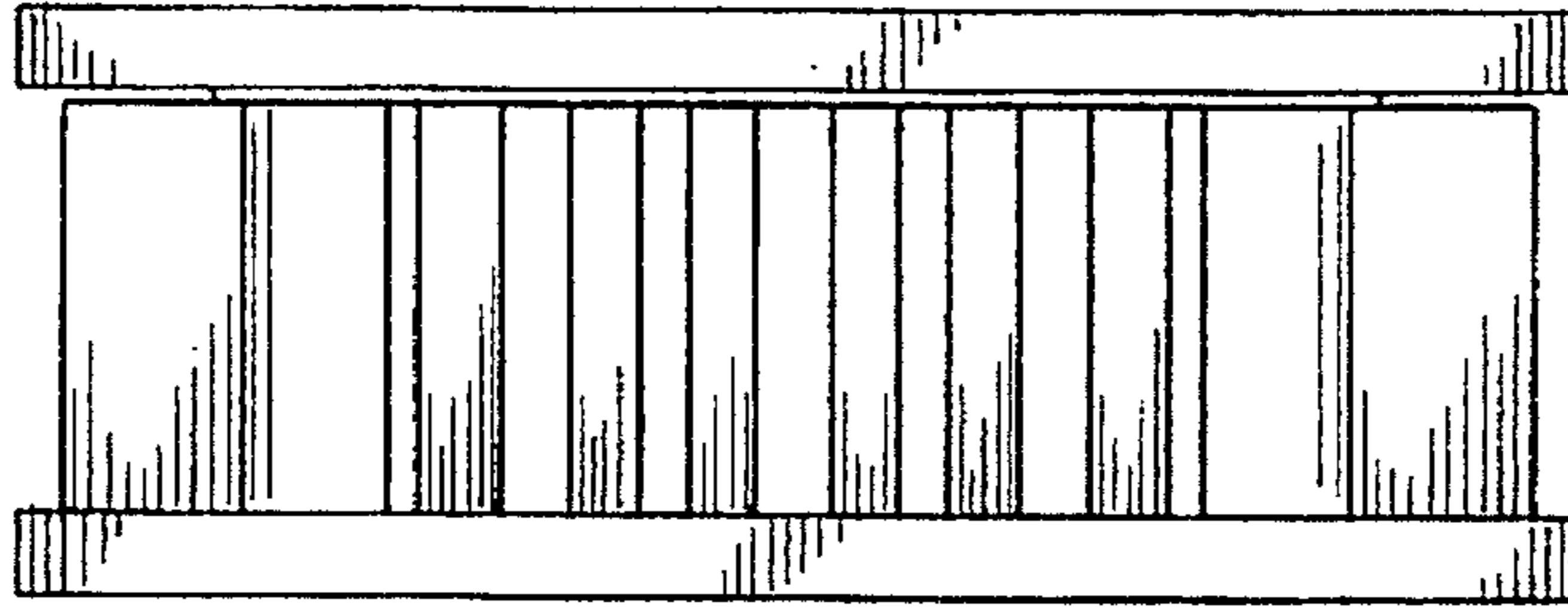


FIG.4

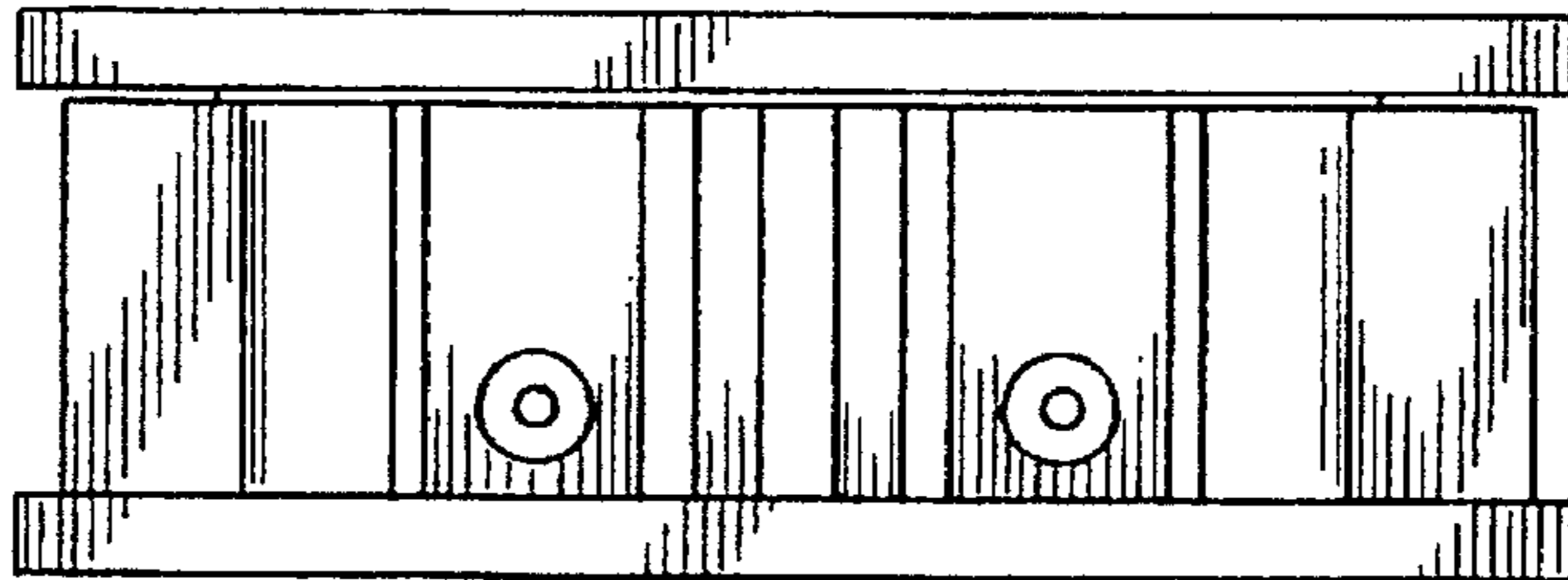


FIG.5

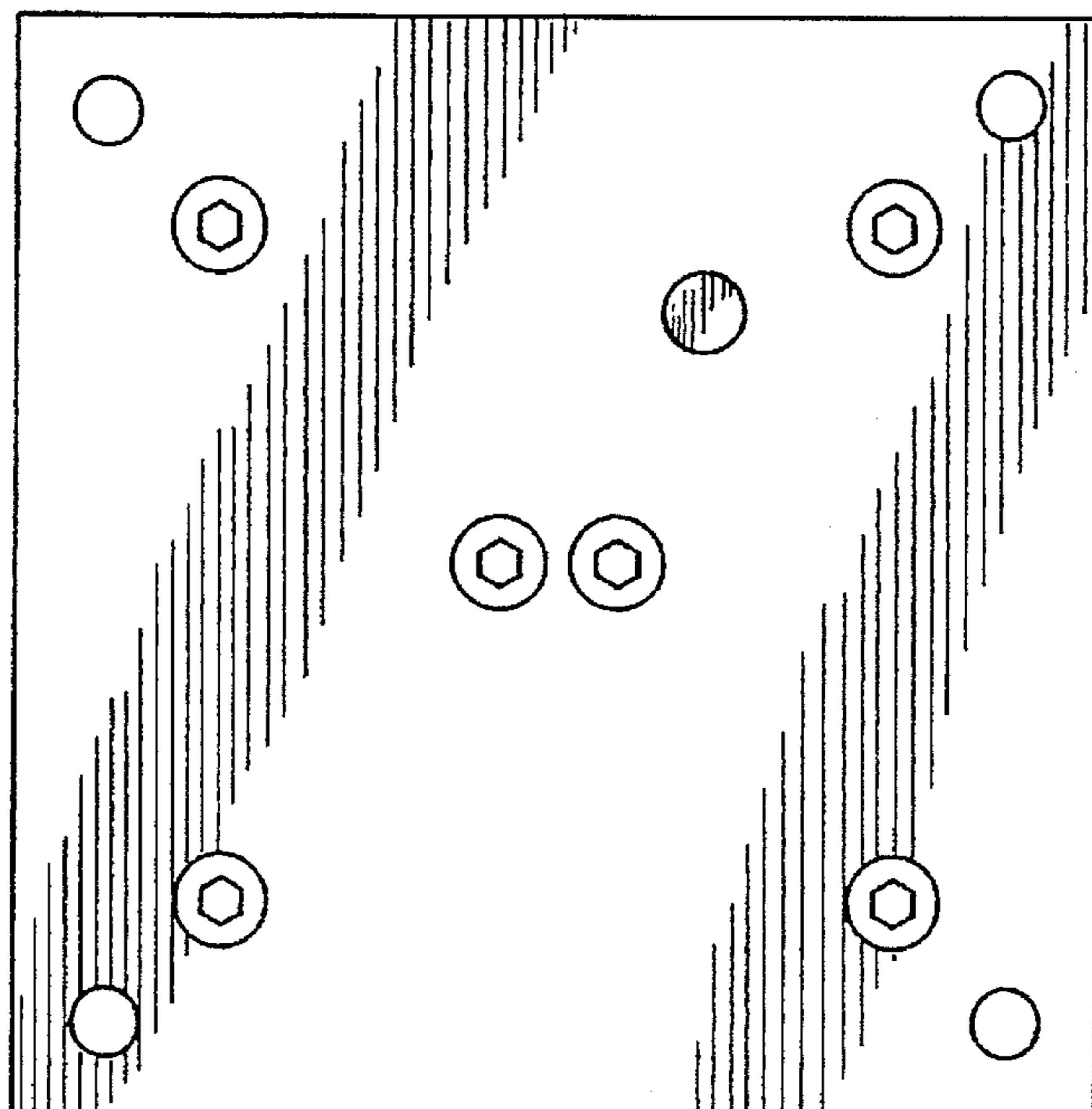


FIG. 6

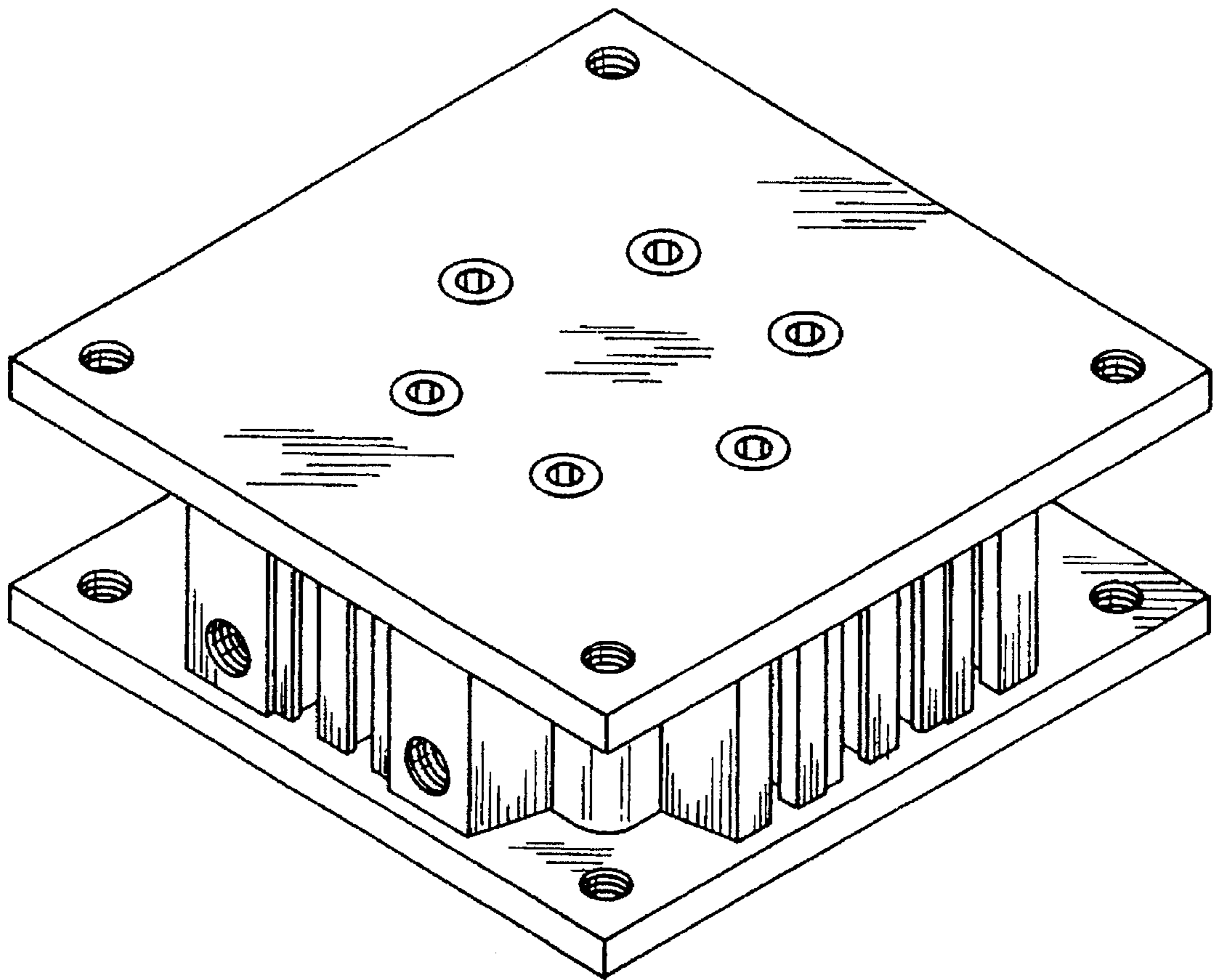


FIG. 7

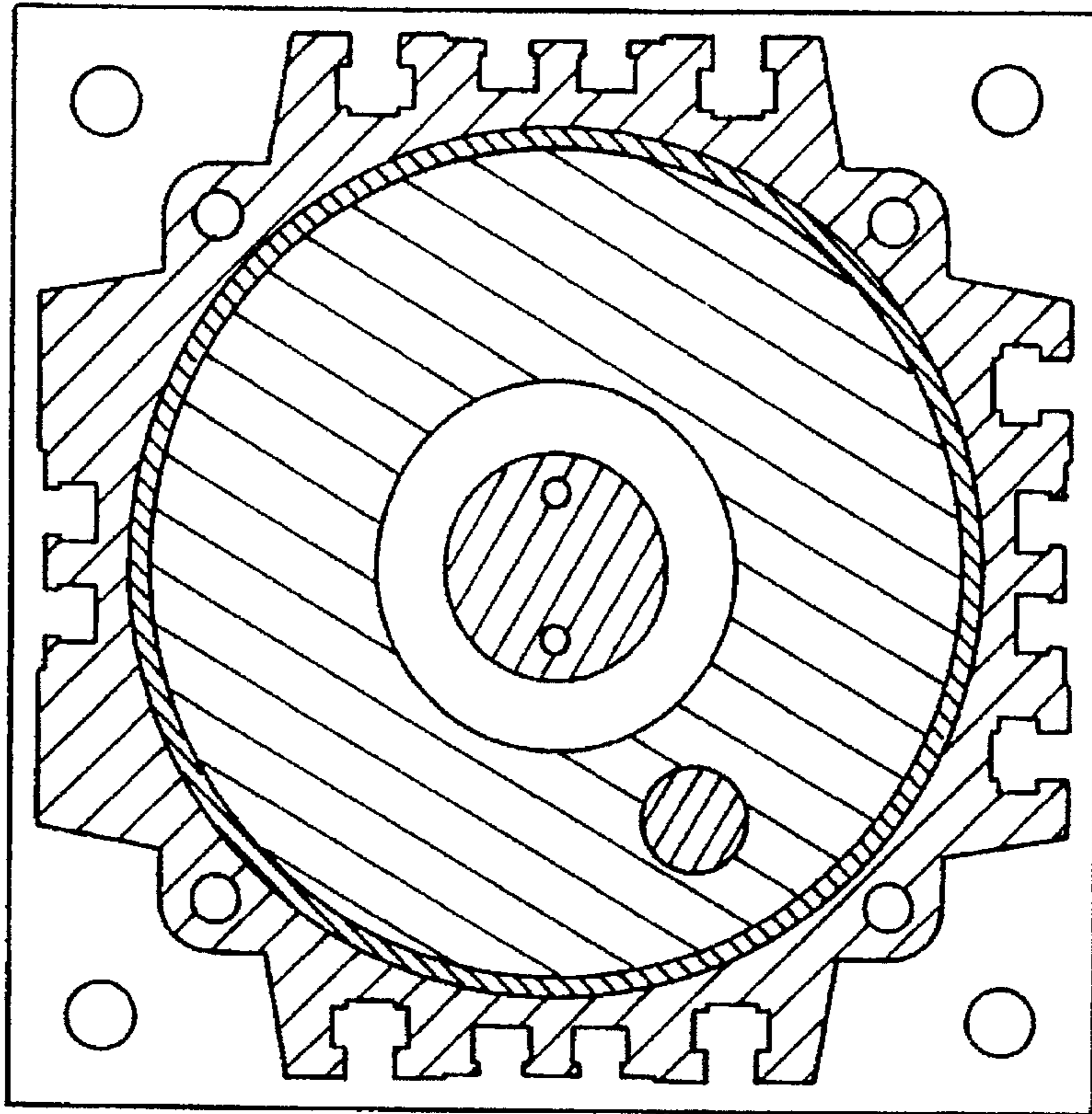


FIG. 8

