



US00D382327S

United States Patent [19]

[11] Patent Number: **Des. 382,327**

Young et al.

[45] Date of Patent: ****Aug. 12, 1997**

[54] **FISHING REEL HOUSING**

[75] Inventors: **John N. Young**, Fairfax, Calif.; **Ray Kline**, Bloomer; **Mark Johnson**, Hales Corners, both of Wis.; **John Hastings**, Mankato, Minn.

[73] Assignee: **Johnson Worldwide Associates**, Sturtevant, Wis.

[**] Term: **14 Years**

[21] Appl. No.: **38,119**

[22] Filed: **Apr. 25, 1995**

[51] LOC (6) Cl. **22-05**

[52] U.S. Cl. **D22/140**

[58] Field of Search D22/140, 141; D9/518, 500, 503, 504; 242/312, 320, 257-262, 234-238, 279, 230-233

[56] **References Cited**

U.S. PATENT DOCUMENTS

- D. 156,337 12/1949 Hammer D22/140
- D. 229,307 11/1973 Shumate D22/140
- D. 300,452 3/1989 Epperson et al. D22/141

- D. 311,764 10/1990 Peterson D22/141
- D. 312,265 11/1990 Epperson et al. D22/141
- D. 343,672 1/1994 Kobayashi et al. D22/141
- 4,685,582 8/1987 Pulciani et al. D9/518 X
- 4,981,214 1/1991 Rojas D9/518 X

Primary Examiner—Doris V. Coles
Attorney, Agent, or Firm—Foley & Lardner

[57] **CLAIM**

The ornamental design for a fishing reel housing, as shown and described.

DESCRIPTION

FIG. 1 is a top, left perspective view of a fishing reel housing showing our new design;
 FIG. 2 is a left elevational view thereof;
 FIG. 3 is a right elevational view thereof;
 FIG. 4 is a front elevational view thereof;
 FIG. 5 is a rear elevational view thereof;
 FIG. 6 is a top plan view thereof; and,
 FIG. 7 is a bottom plan view thereof.
 The broken line showing of environment in FIGS. 1-5 and 7 is for illustrative purposes only and forms no part of the claimed design.

1 Claim, 3 Drawing Sheets

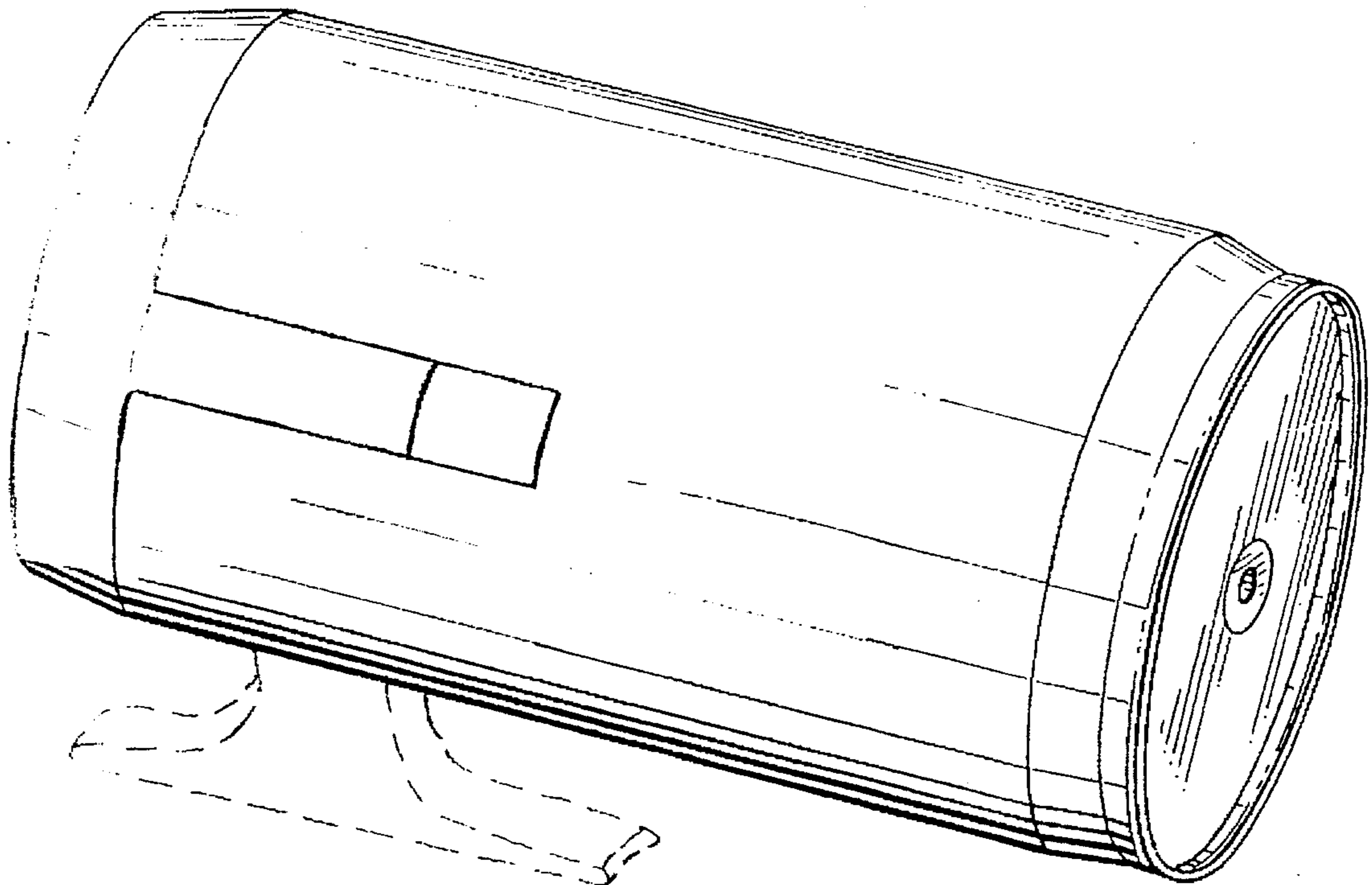


FIG. 1

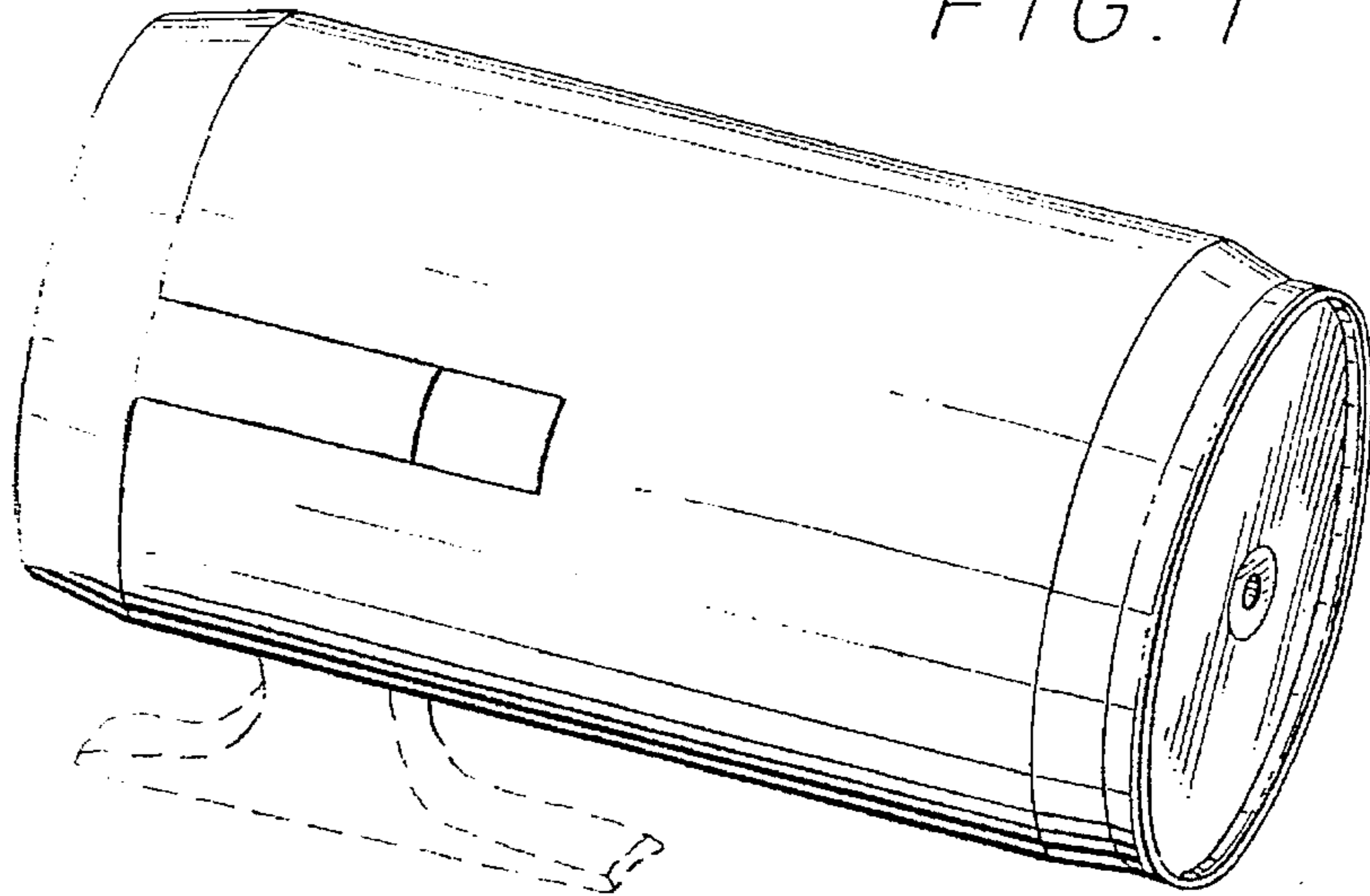


FIG. 2

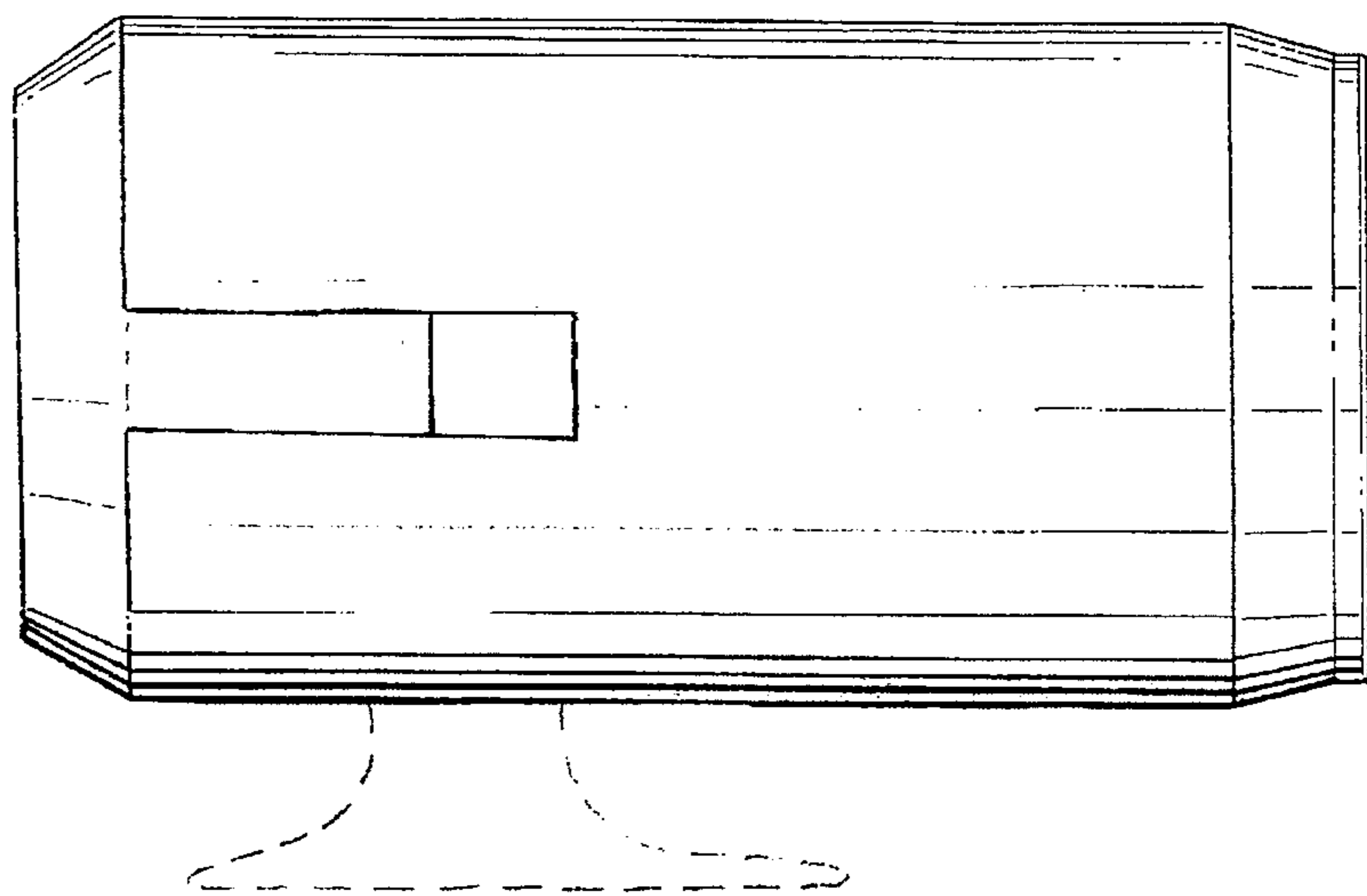


FIG. 3

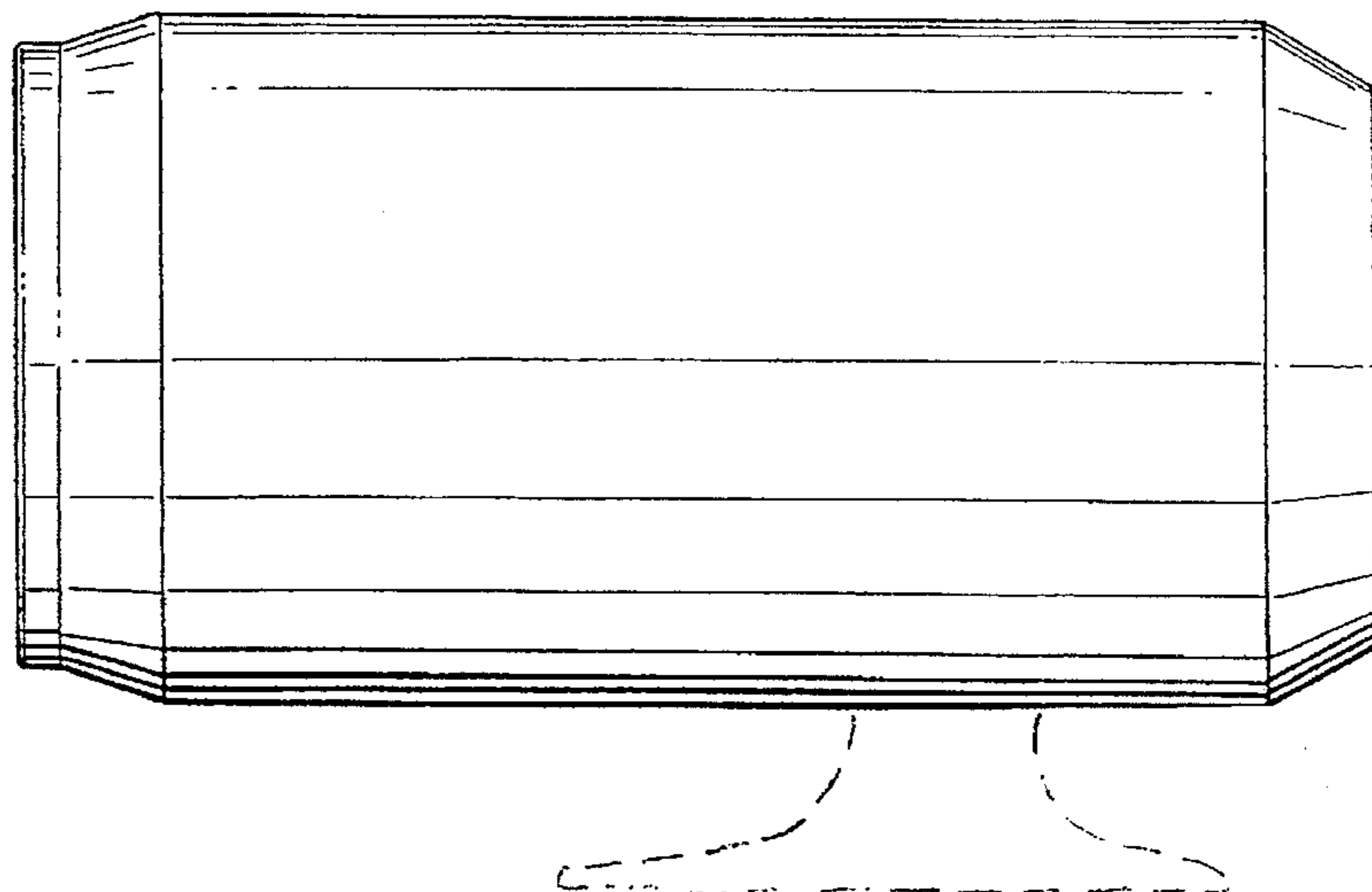


FIG. 4

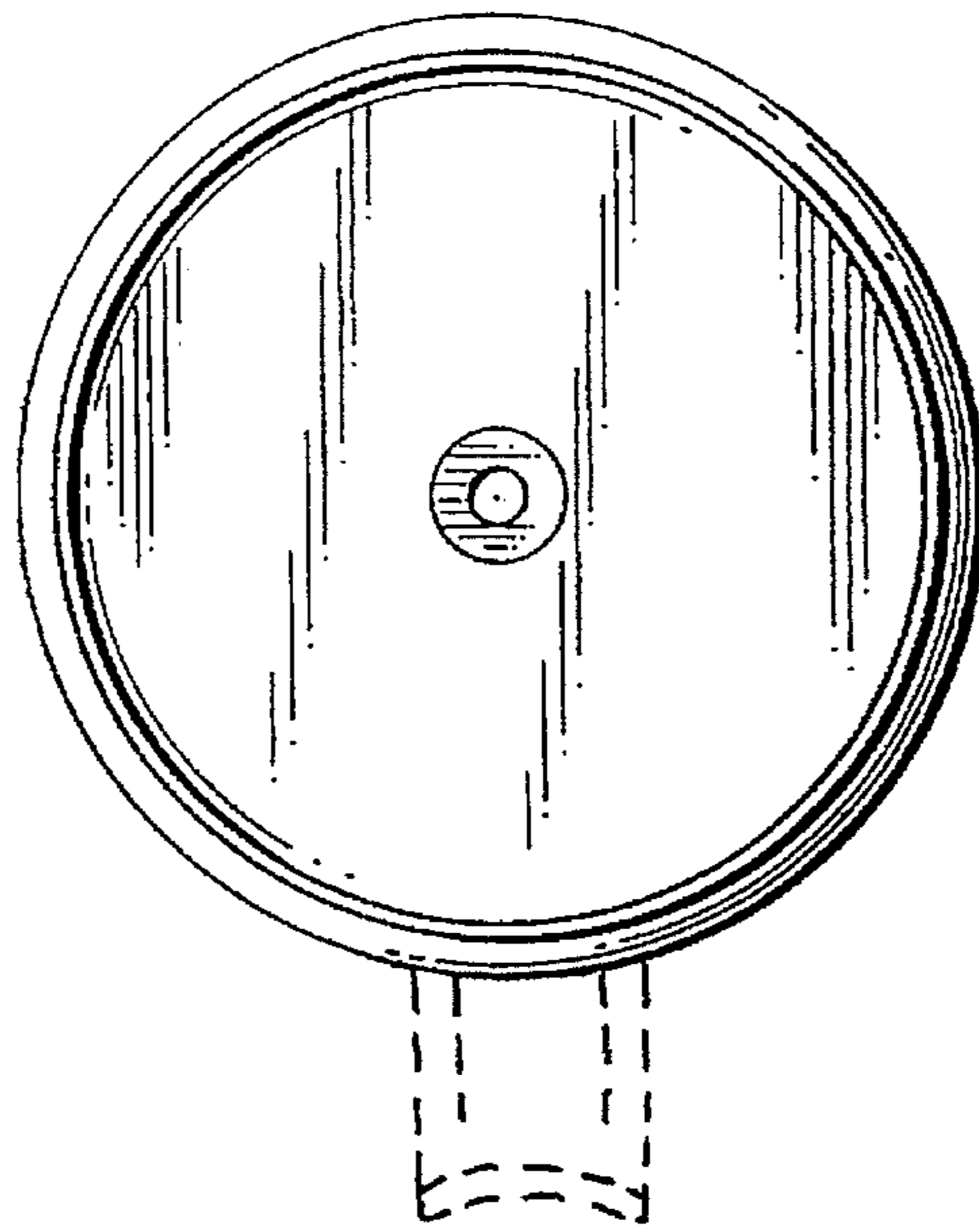


FIG. 5

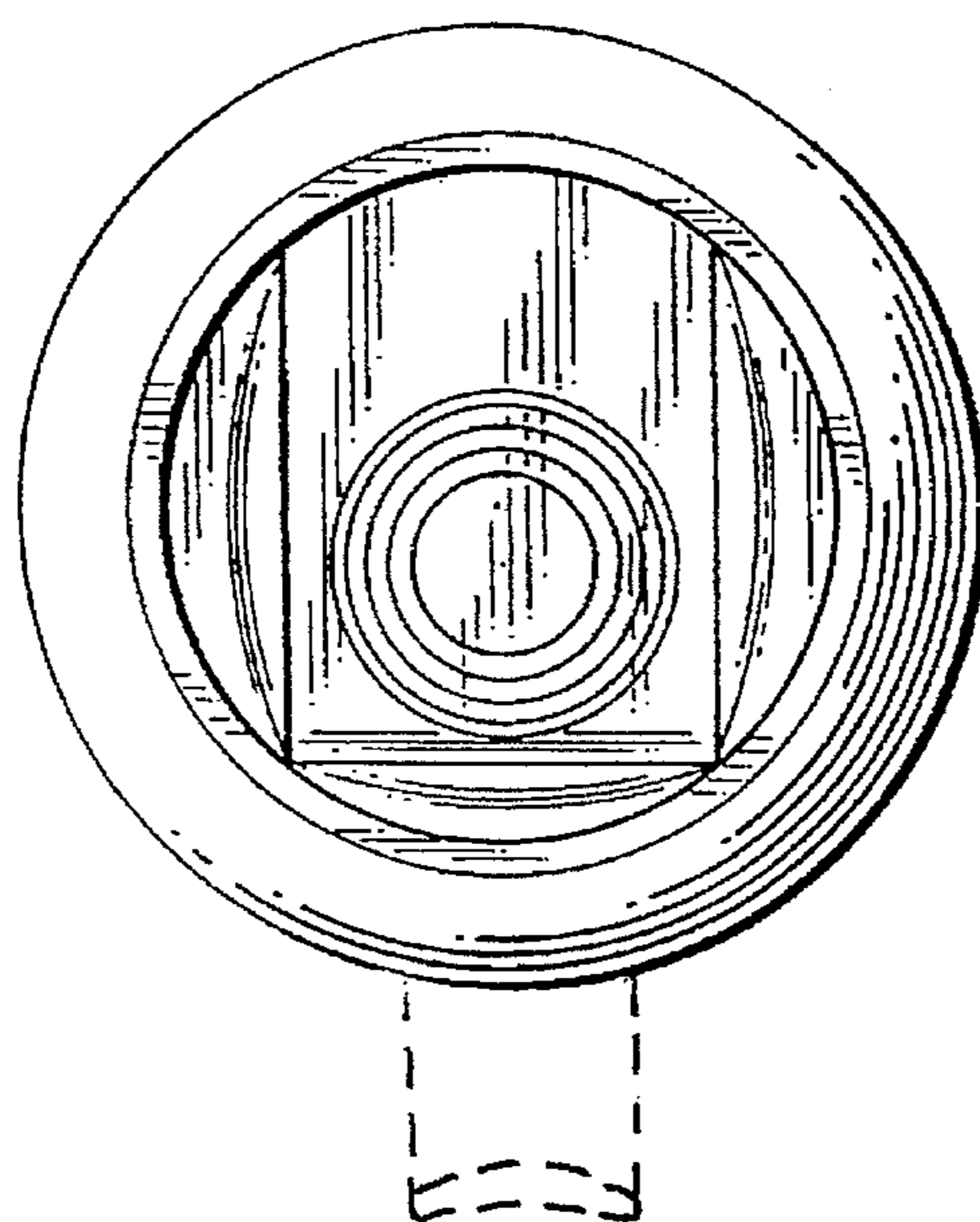


FIG. 6

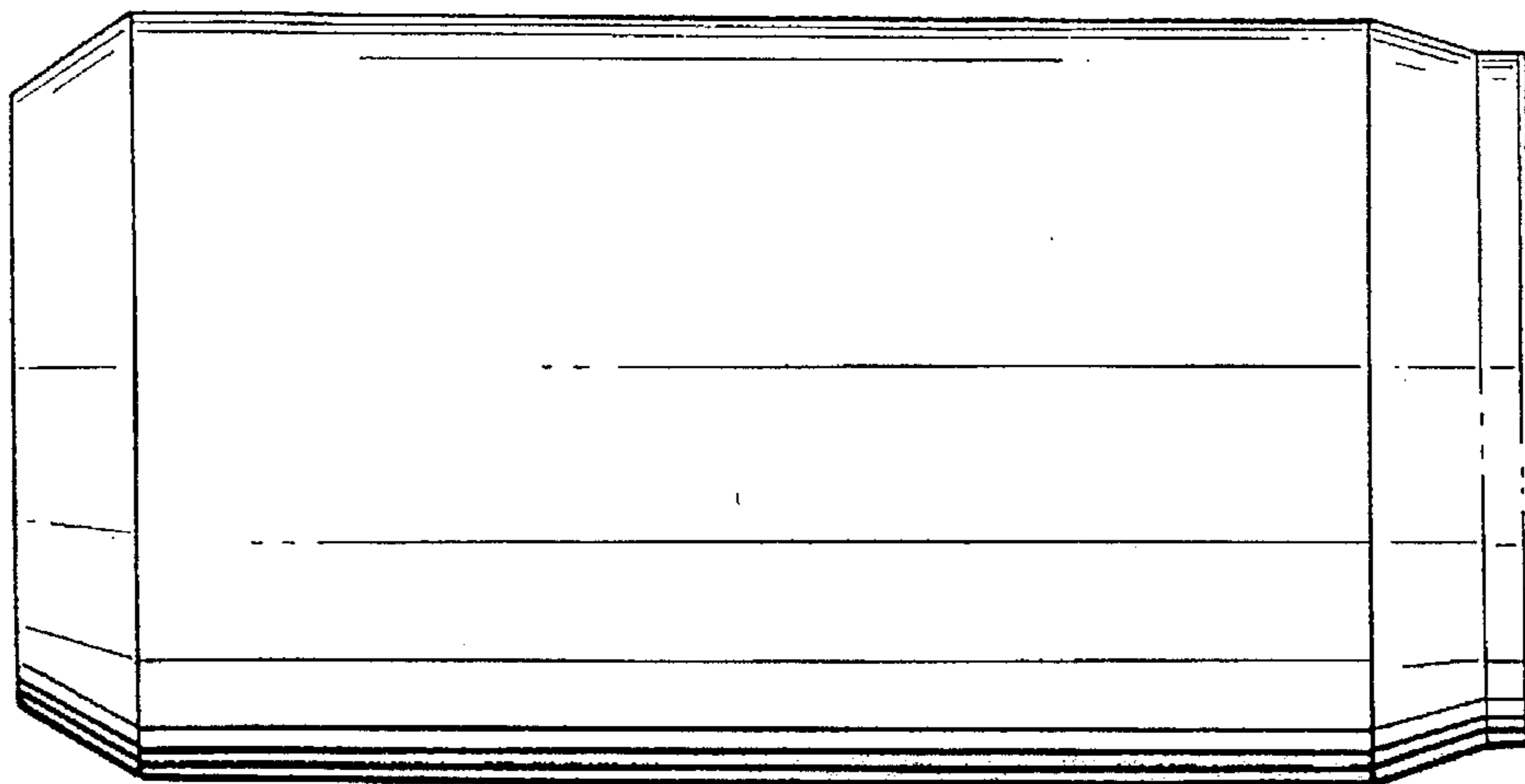


FIG. 7

