

US00D382324S

United States Patent [19]
Shinzato

[11] **Patent Number: Des. 382,324**
[45] **Date of Patent: **Aug. 12, 1997**

[54] **SIMULATION GAME MACHINE**
[75] **Inventor: Yasunobu Shinzato, Tokyo, Japan**
[73] **Assignee: Sega Enterprises, Ltd., Tokyo, Japan**
[**] **Term: 14 Years**
[21] **Appl. No.: 51,432**
[22] **Filed: Mar. 11, 1996**
[30] **Foreign Application Priority Data**
Sep. 12, 1995 [JP] Japan 7-26842
[51] **LOC (6) Cl. 21-03**
[52] **U.S. Cl. D21/250**
[58] **Field of Search D21/240, 250;**
273/148 B, 85 R; 434/61

D. 338,051 8/1993 Holmes D21/250 X
D. 366,513 1/1996 Crowe et al. D21/250
5,364,271 11/1994 Aknin et al. 273/148 B X

Primary Examiner—Philip S. Hyder
Assistant Examiner—Mitchell I. Siegel
Attorney, Agent, or Firm—Michael N. Meller

[57] **CLAIM**

The ornamental design for a simulation game machine, as shown and described.

DESCRIPTION

FIG. 1 is a perspective view of a simulation game machine showing my new design;
FIG. 2 is a front view thereof;
FIG. 3 is a rear view thereof;
FIG. 4 is a top view thereof;
FIG. 5 is a bottom view thereof;
FIG. 6 is a right side view thereof; and,
FIG. 7 is a left side view thereof.

[56] **References Cited**
U.S. PATENT DOCUMENTS
D. 338,050 8/1993 Holmes D21/250 X

1 Claim, 5 Drawing Sheets

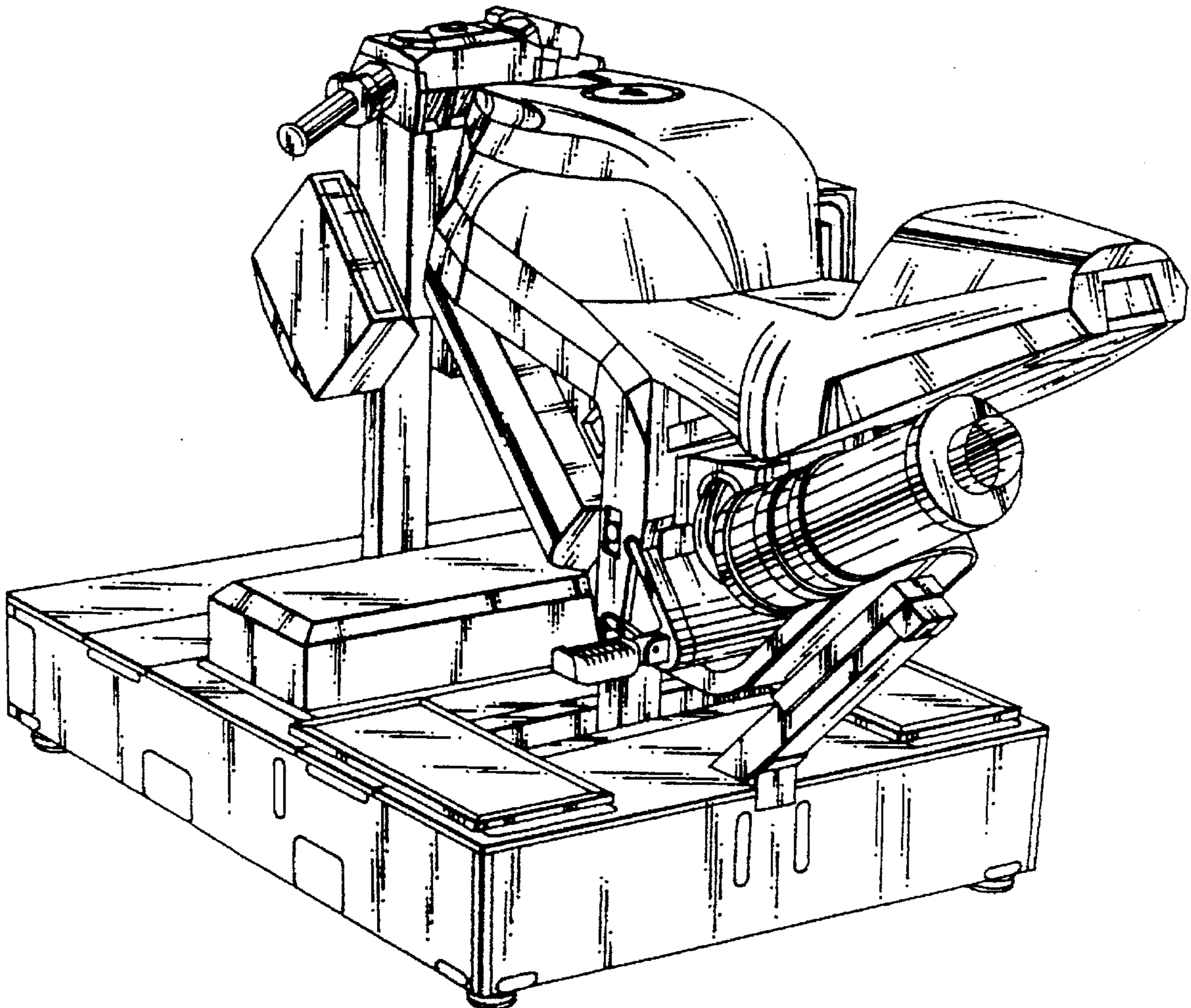


FIG. 1

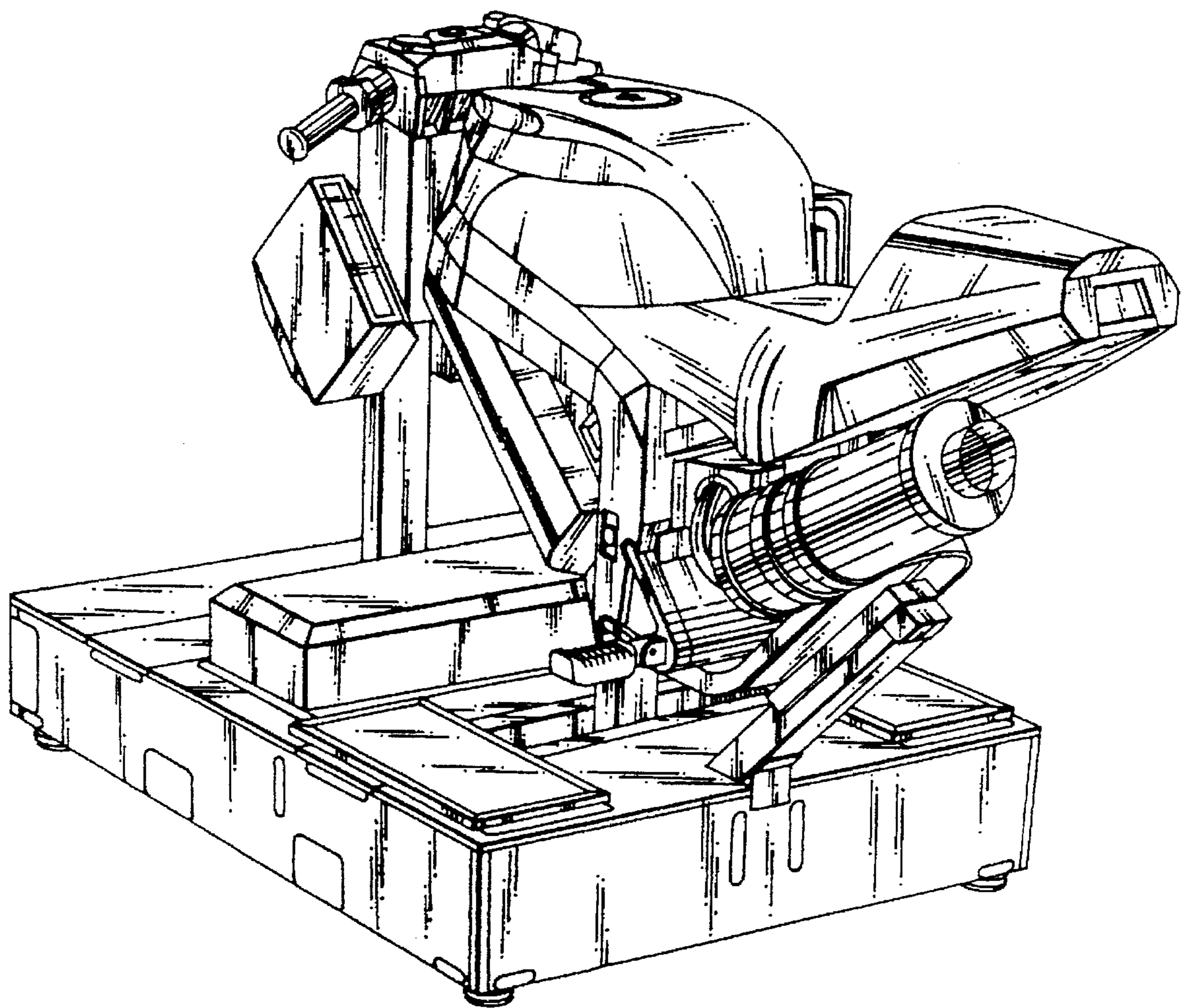


FIG. 2

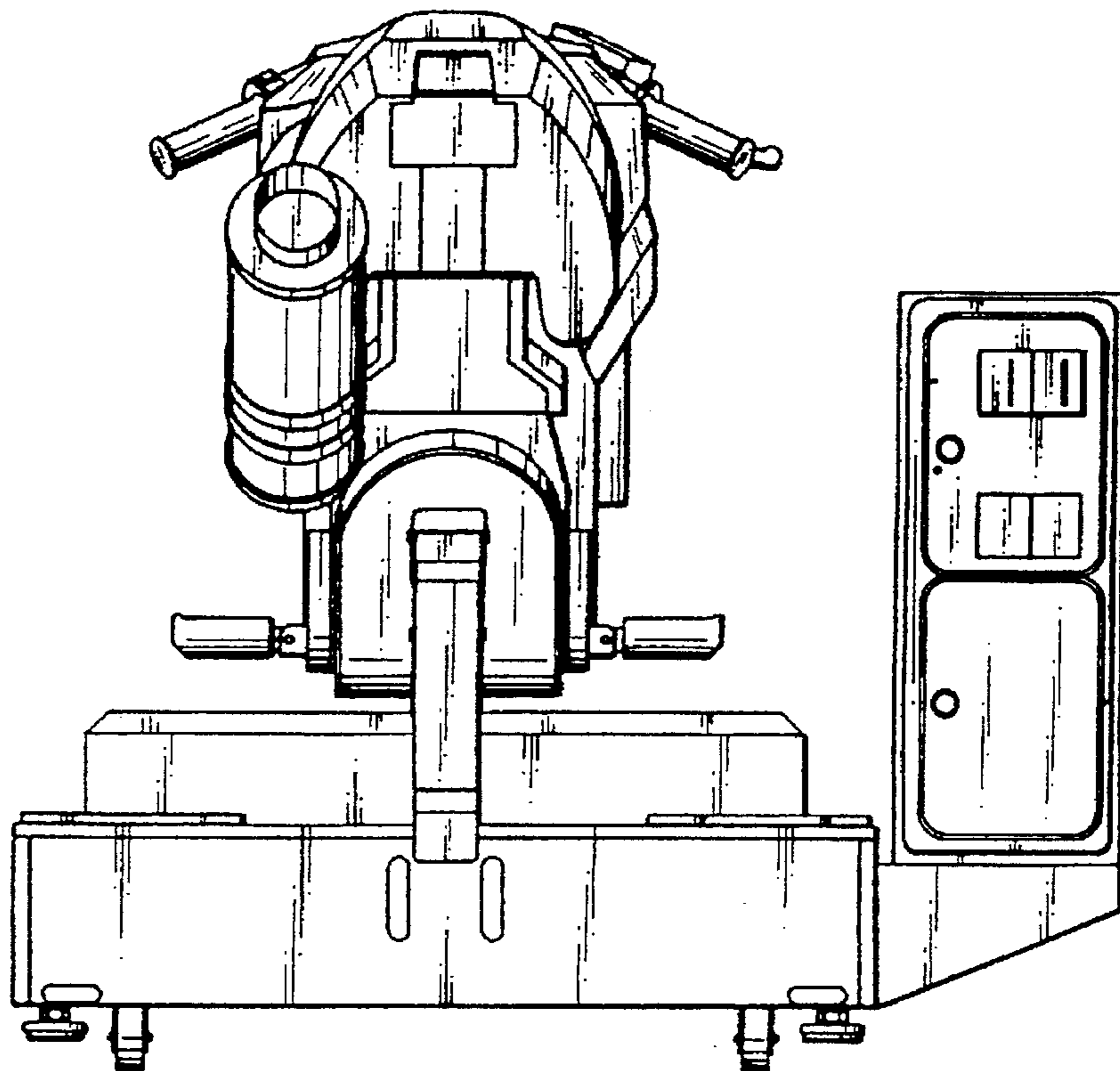


FIG. 3

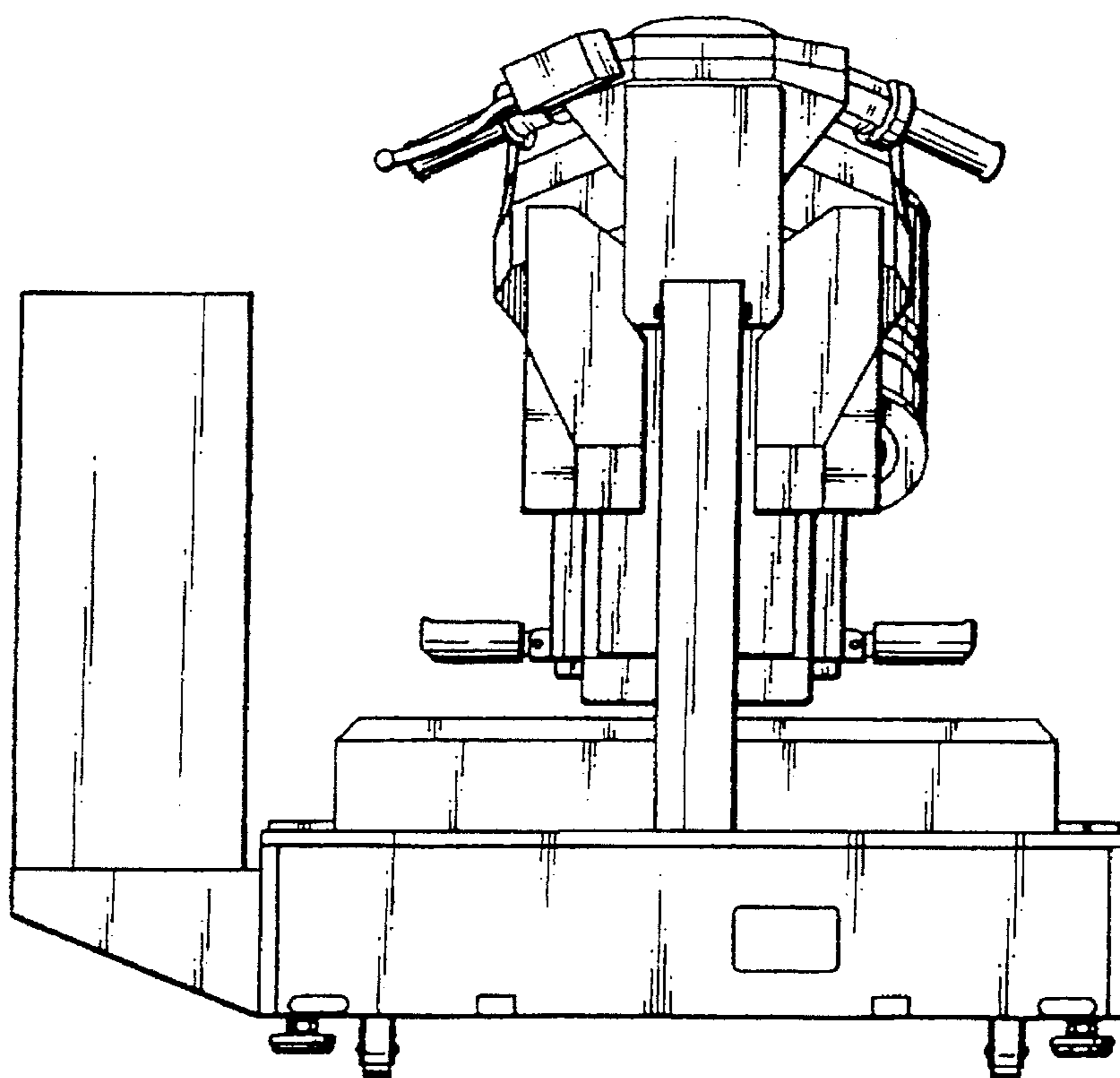


FIG. 4

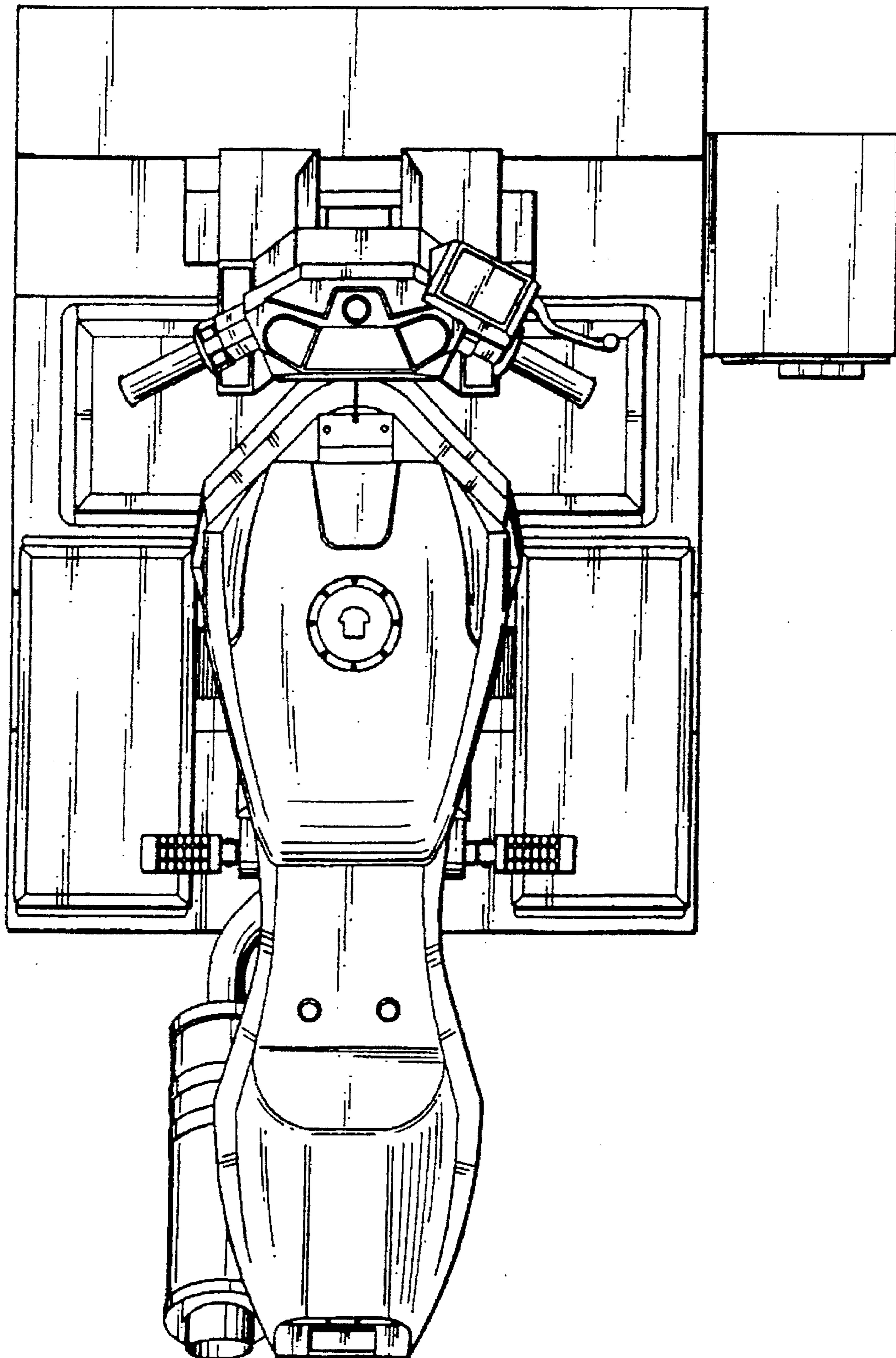


FIG. 5

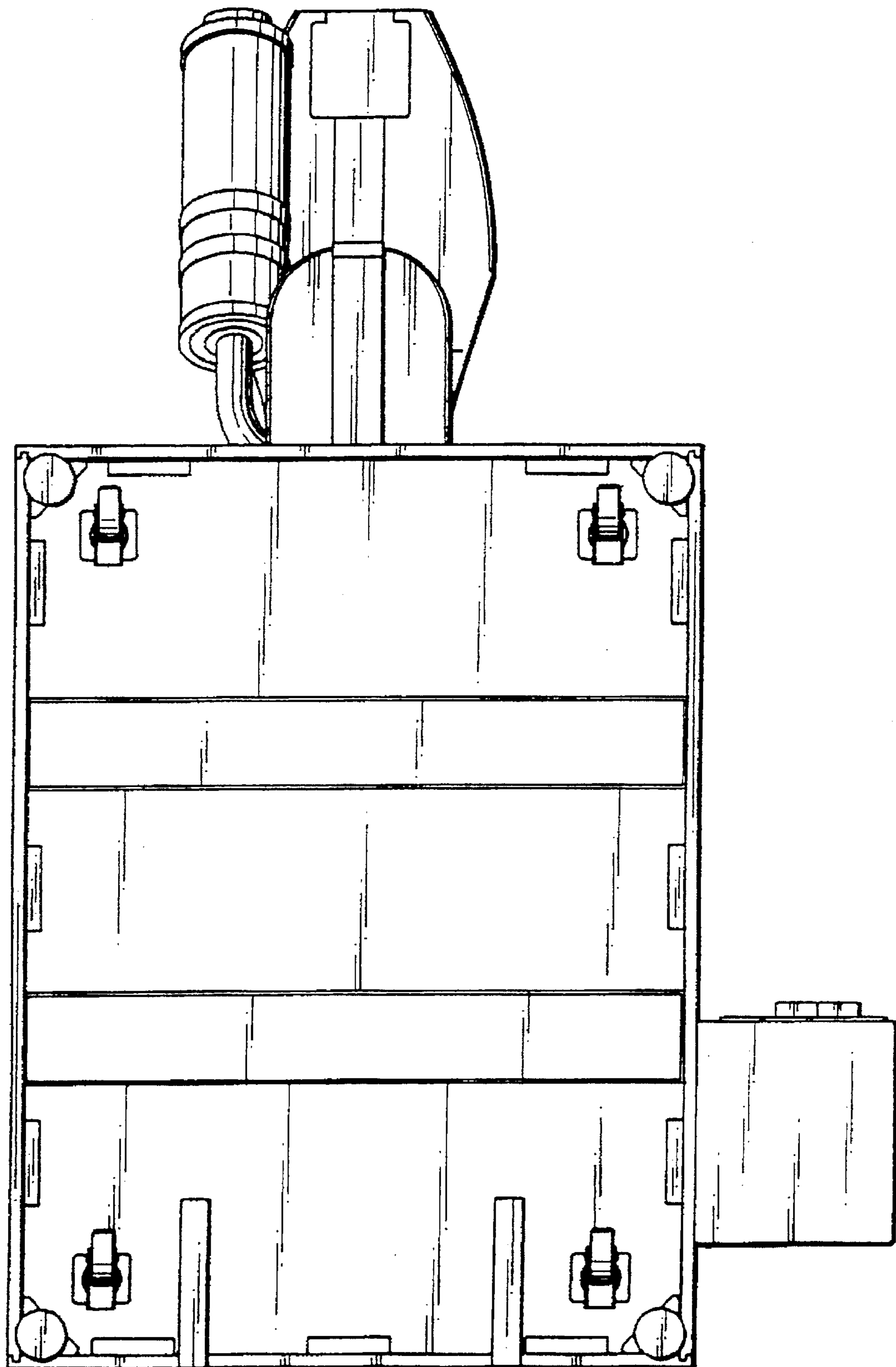


FIG. 6

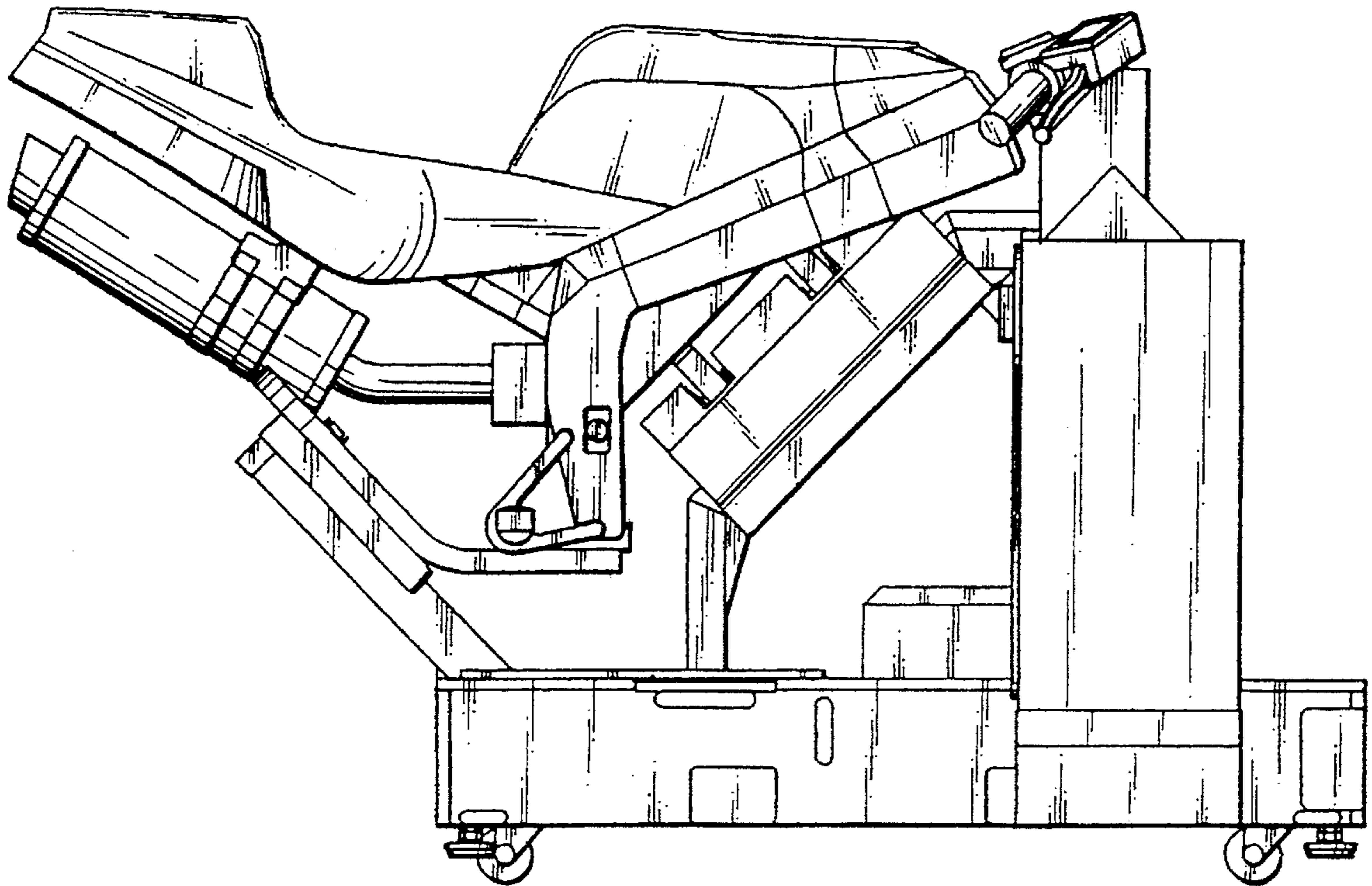


FIG. 7

