



US00D382319S

**United States Patent** [19]  
**Gerschefske et al.**

[11] **Patent Number: Des. 382,319**  
[45] **Date of Patent: \*\*Aug. 12, 1997**

[54] **EXERCISER**  
[75] Inventors: **Kevin Gerschefske**, Rogersville;  
**Robert W. McBride**, Springfield, both  
of Mo.; **Randy Bartlett**, Opelika, Ala.  
[73] Assignee: **Stamina Products, Inc.**, Springfield,  
Mo.  
[\*\*] Term: **14 Years**  
[21] Appl. No.: **52,978**  
[22] Filed: **Apr. 12, 1996**  
[51] **LOC (6) Cl.** ..... **21-02**  
[52] **U.S. Cl.** ..... **D21/195**  
[58] **Field of Search** ..... D21/191, 195,  
D21/198; 482/51, 70-72, 130, 131, 142

1,750,549 3/1930 Thomson et al. .... 482/72  
5,342,266 8/1994 Dailey ..... 482/71

**FOREIGN PATENT DOCUMENTS**

2403089 4/1979 France ..... 482/130

*Primary Examiner*—Sandra L. Morris  
*Attorney, Agent, or Firm*—Cushman Darby & Cushman  
Intellectual Property Group of Pillsbury Madison & Sutro  
LLP

[57] **CLAIM**

The ornamental design for an exerciser, as shown and described.

**DESCRIPTION**

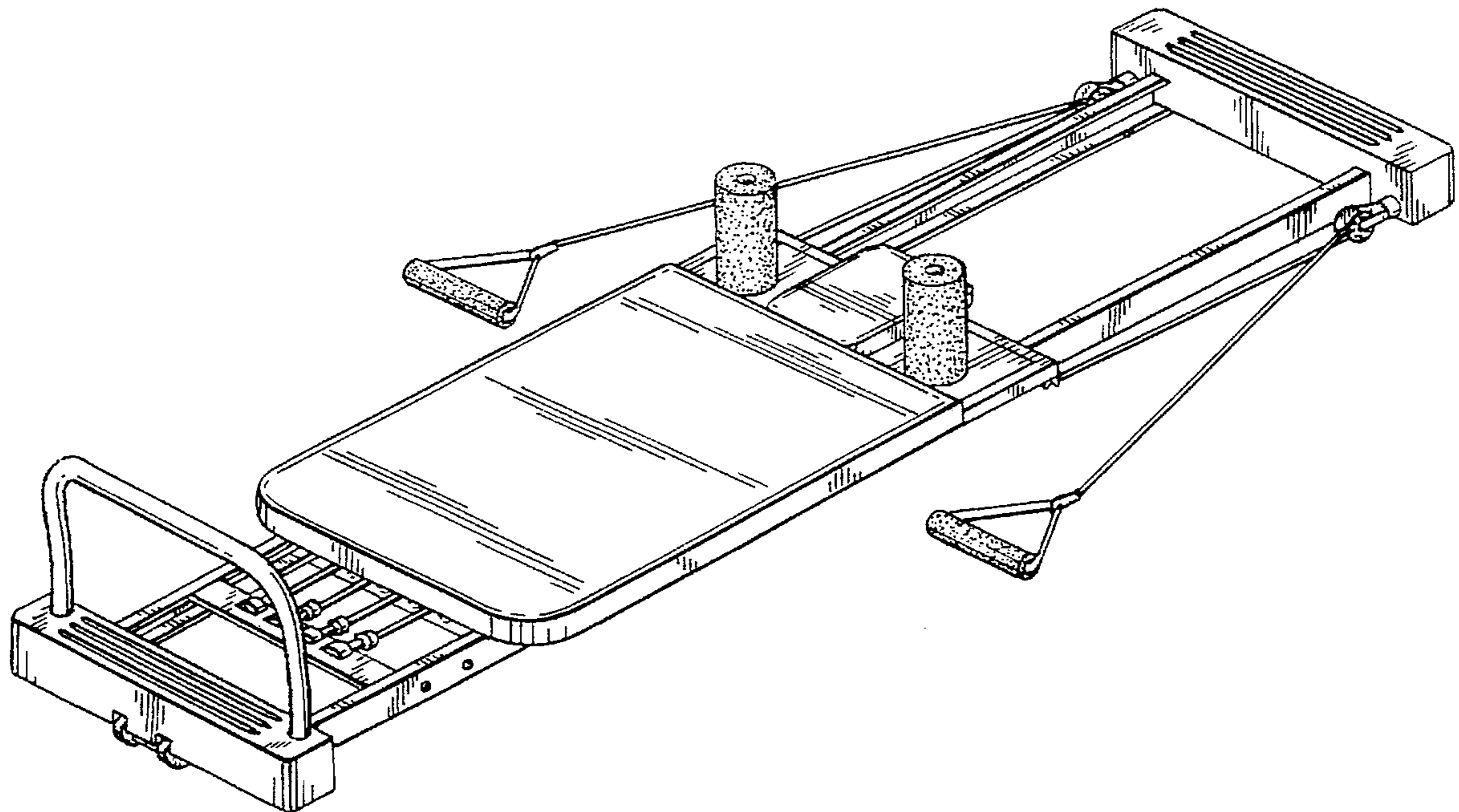
FIG. 1 is a top, right perspective view of an exerciser, showing our new design;  
FIG. 2 is a right side elevational view thereof;  
FIG. 3 is a left side elevational view thereof;  
FIG. 4 is a rear elevational view thereof;  
FIG. 5 is a front elevational view thereof;  
FIG. 6 is a top plan view thereof; and,  
FIG. 7 is a bottom plan view thereof.

[56] **References Cited**

**U.S. PATENT DOCUMENTS**

D. 265,110 6/1982 Lafont ..... D21/195  
D. 314,027 1/1991 Lo ..... D21/195  
D. 362,700 9/1995 Breibart et al. .... D21/195  
1,738,987 12/1929 Dattilo ..... 482/72

**1 Claim, 3 Drawing Sheets**



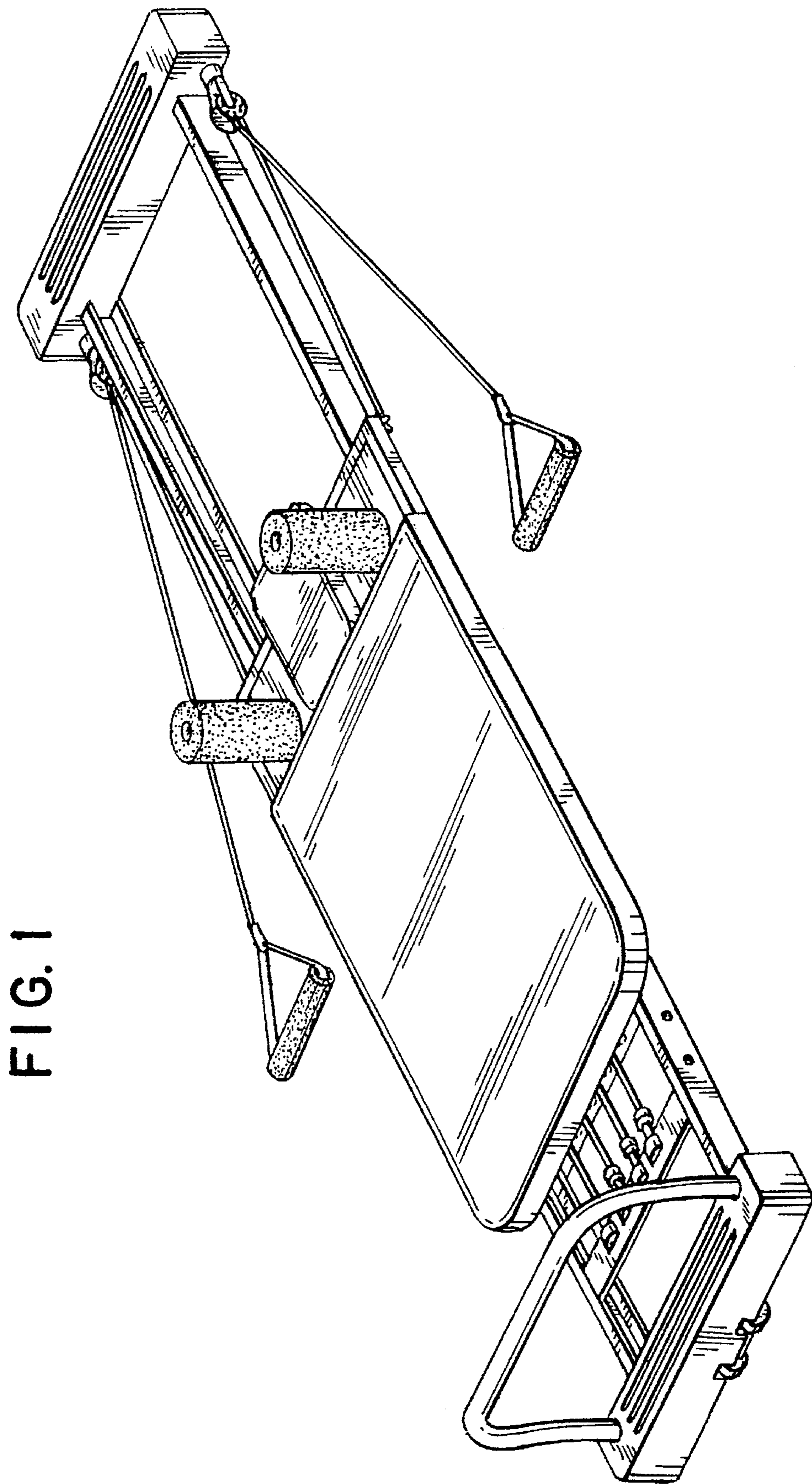


FIG. 1

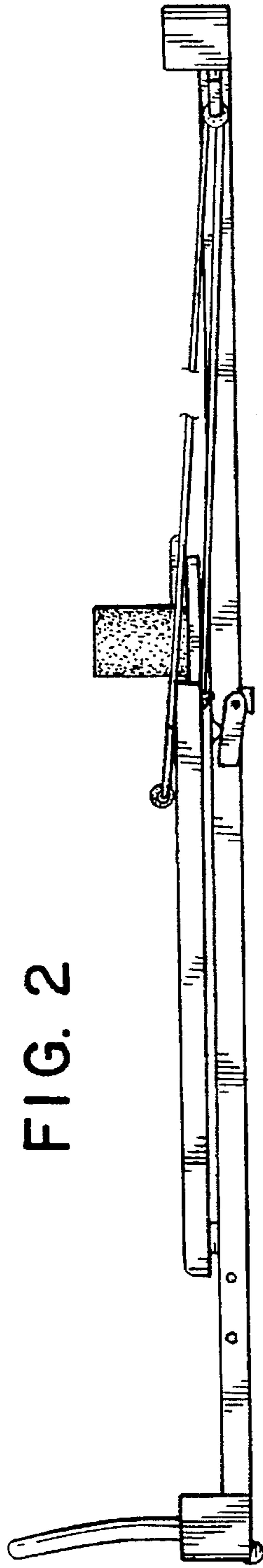


FIG. 2

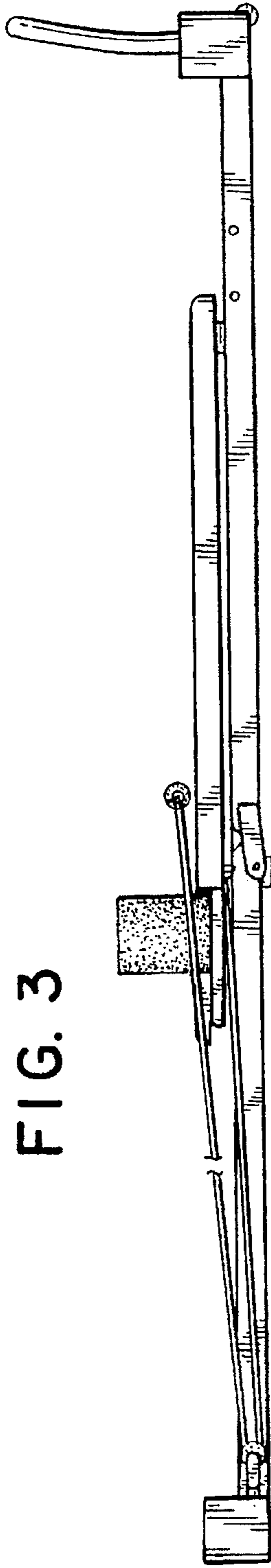


FIG. 3

FIG. 5

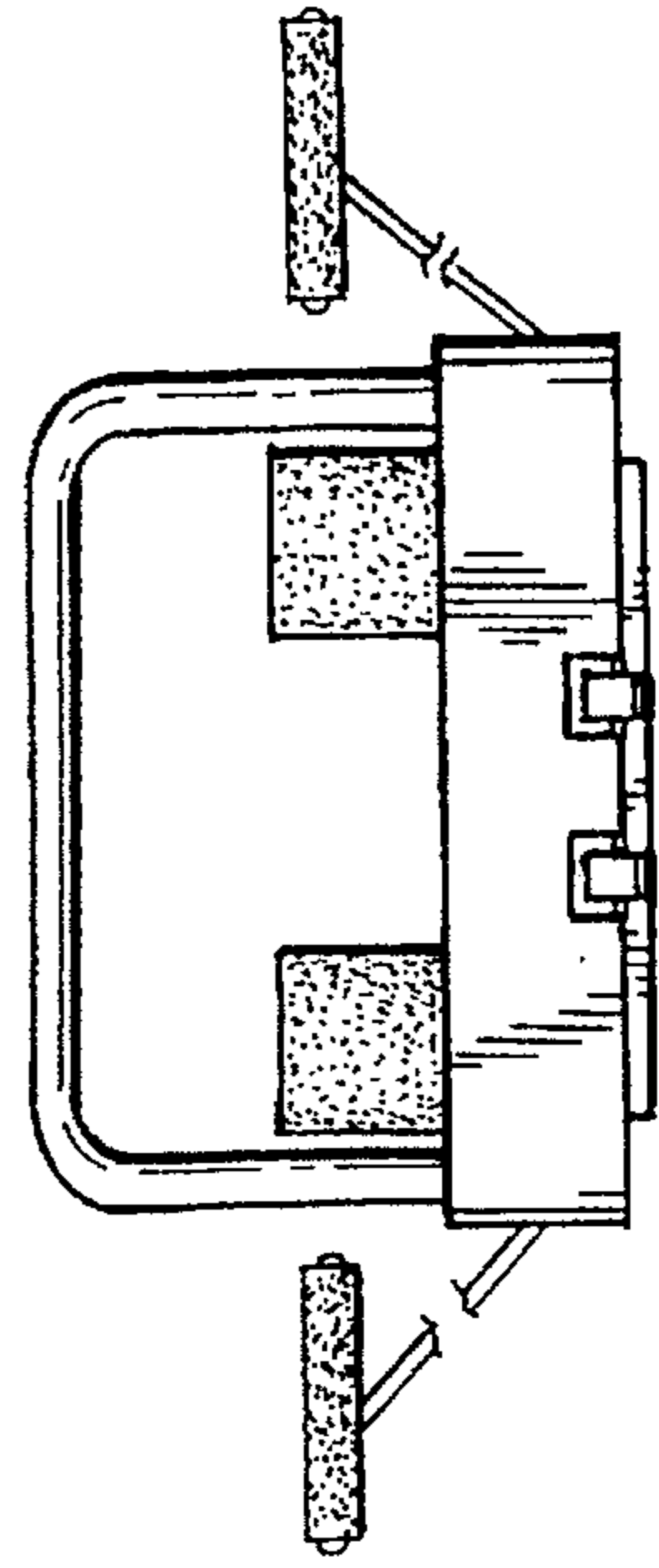
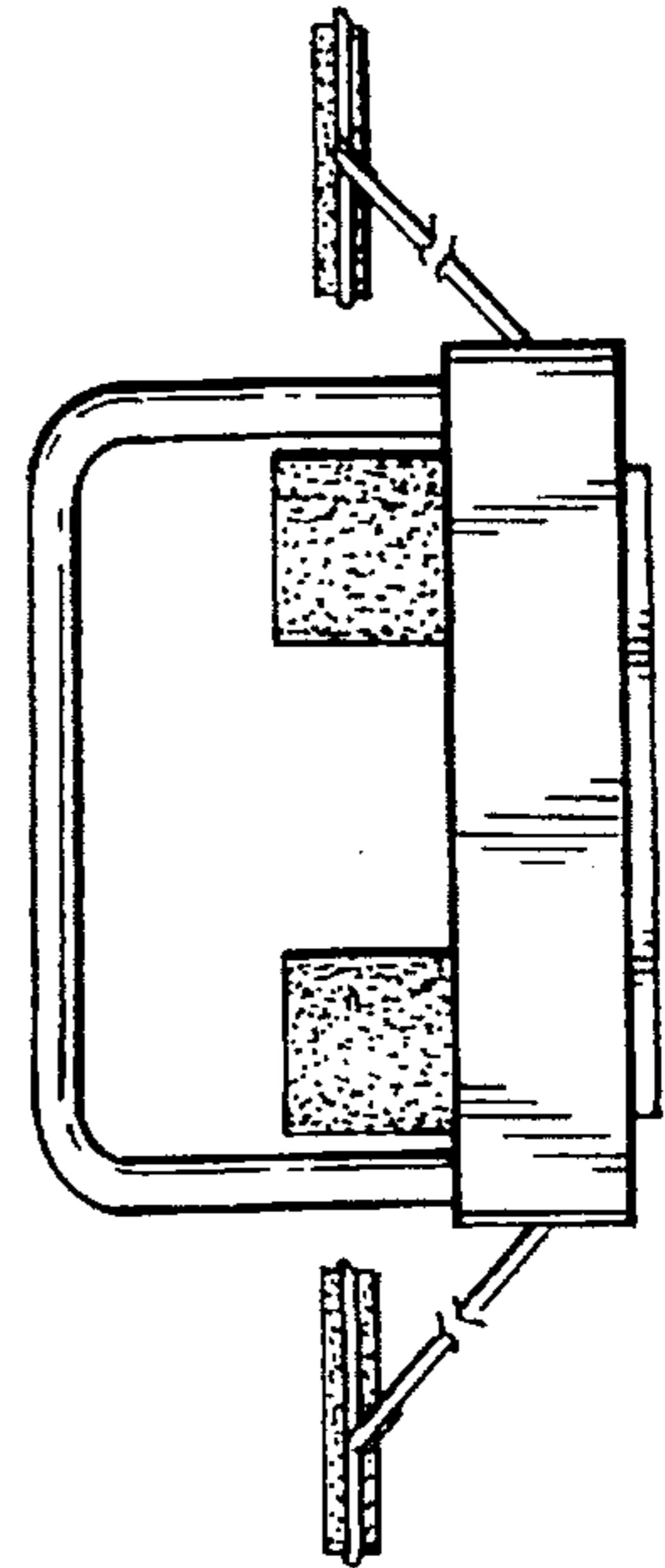


FIG. 4





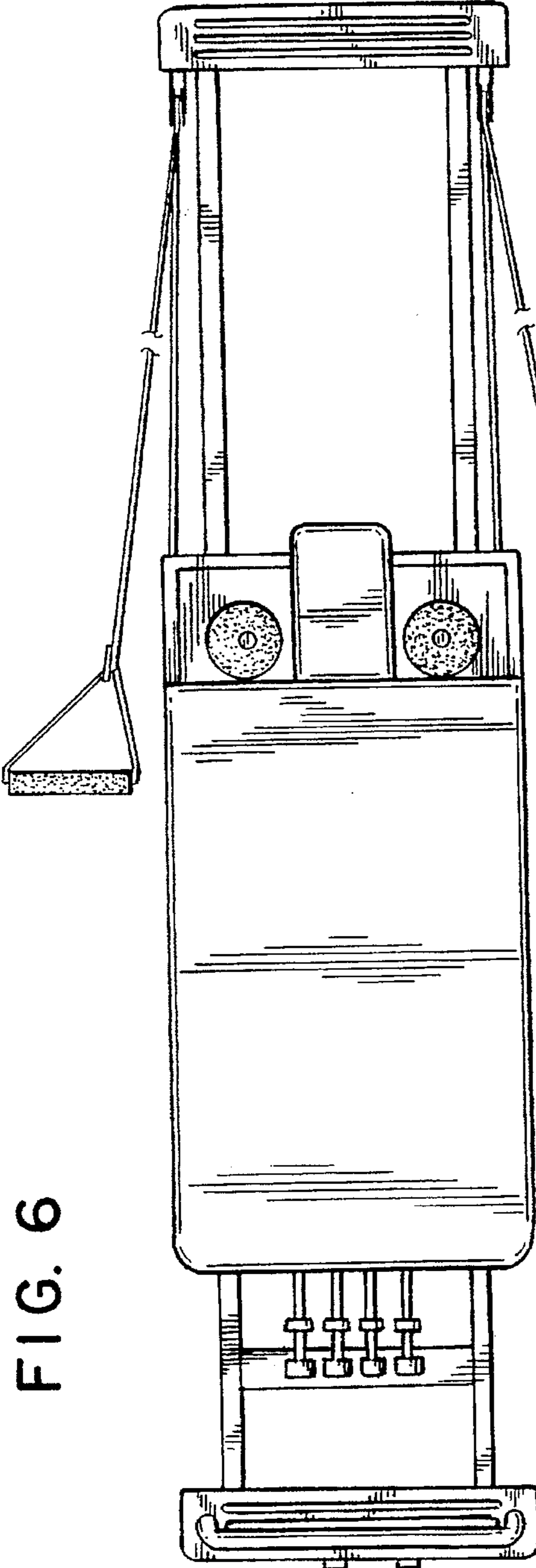


FIG. 6

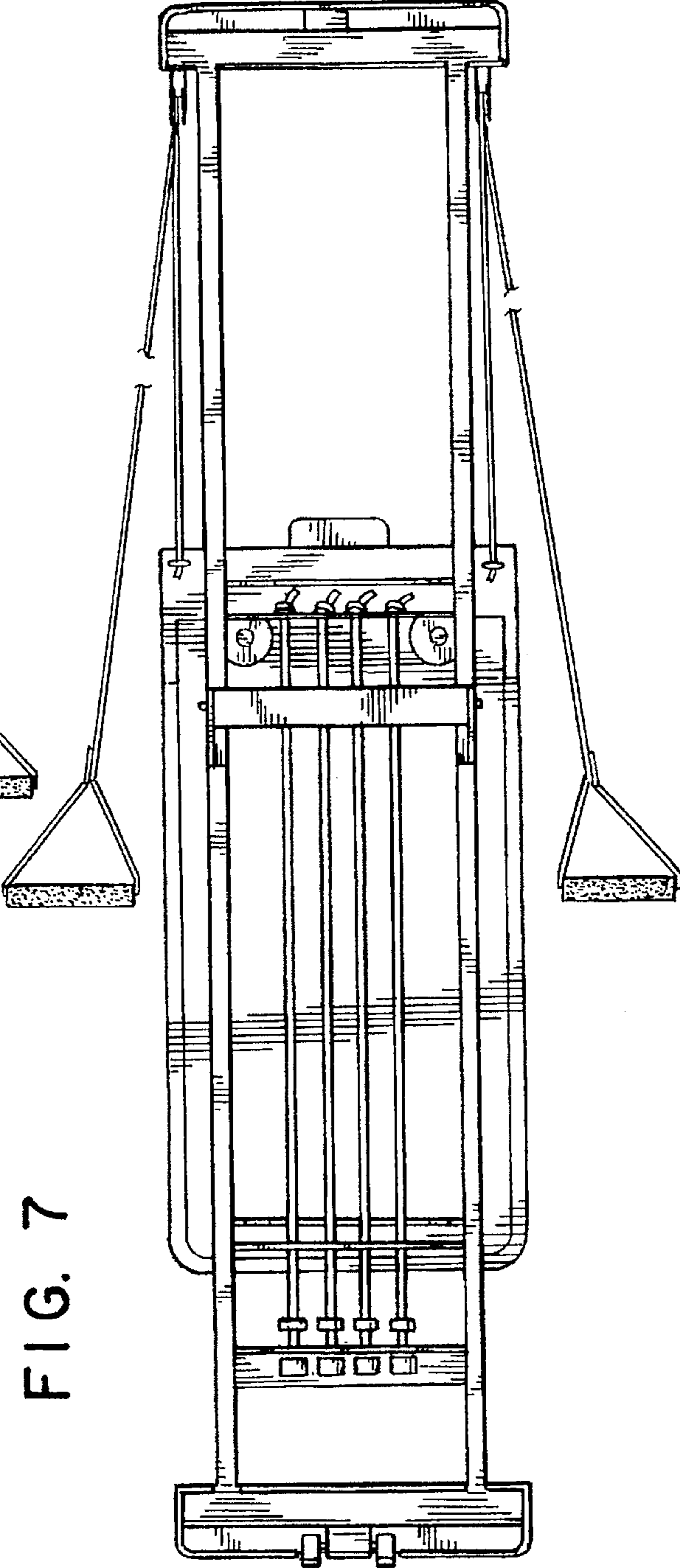


FIG. 7