



US00D382317S

United States Patent [19]
Huston

[11] **Patent Number: Des. 382,317**
[45] **Date of Patent: **Aug. 12, 1997**

[54] **SNOWMAN ACCESSORY KIT**
[76] Inventor: **Lee W. Huston**, 20212 Kingsville,
Detroit, Mich. 48225
[**] Term: **14 Years**
[21] Appl. No.: **51,556**
[22] Filed: **Mar. 13, 1996**
[51] **LOC (6) Cl. 21-01**
[52] **U.S. Cl. D21/189; D21/168**
[58] **Field of Search D21/148-153,**
D21/155, 168, 171, 172, 189; 446/97, 100,
491

D. 345,435 3/1994 McLaughlin, II D21/168
5,380,237 1/1995 Kenyon 446/97

OTHER PUBLICATIONS

Fun Farm 1986 Catalog, p. 25 Smiling Sam Snowman, right.

Primary Examiner—Sandra L. Morris

[57] **CLAIM**

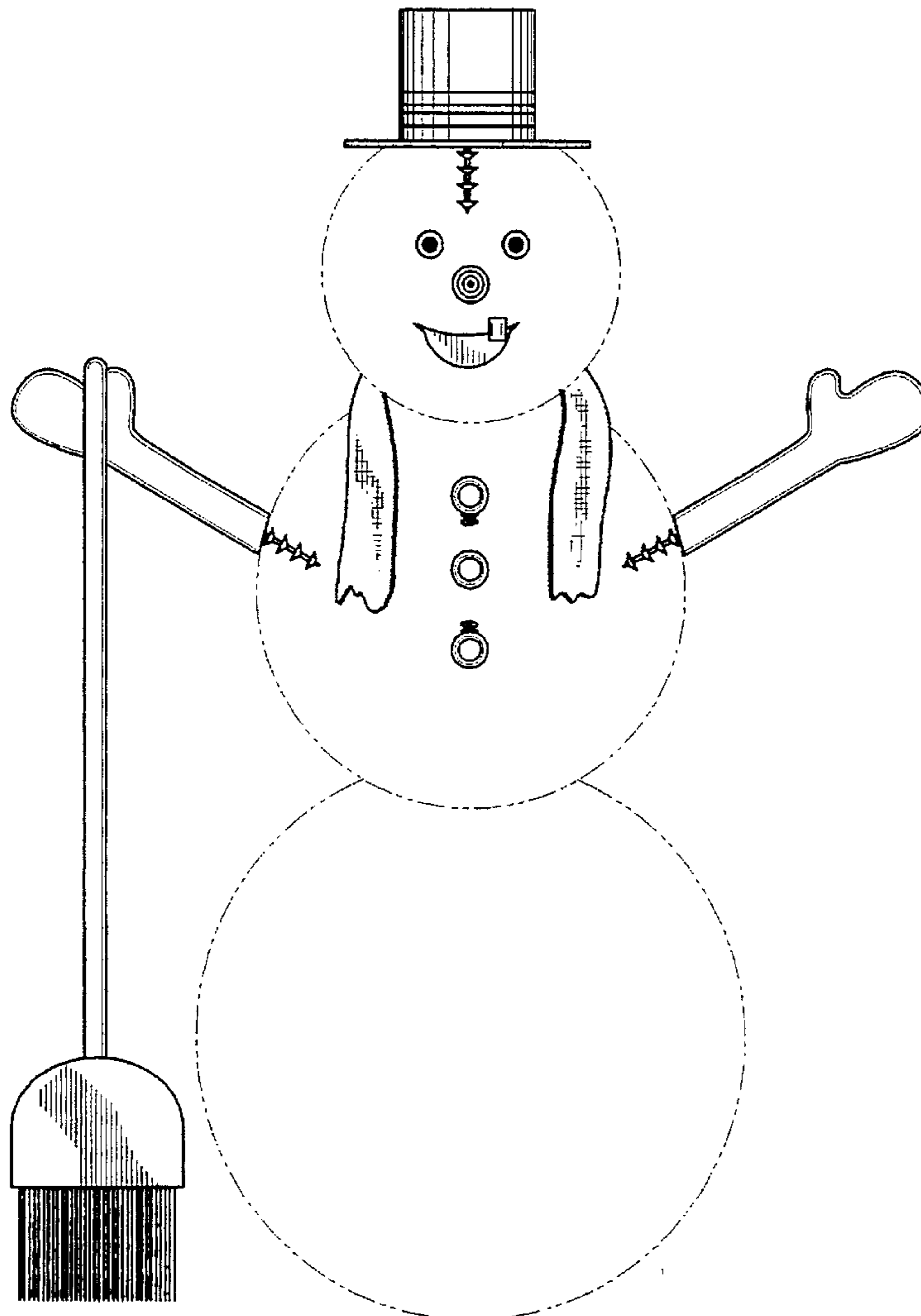
The ornamental design for a snowman accessory kit, as shown and described.

DESCRIPTION

FIG. 1 is a front elevational view of the snowman accessory kit, showing my new design; the broken line showing of the snowman is for illustrative purposes only, and forms no part of the claimed design;
FIG. 2 is a rear elevational view thereof;
FIG. 3 is a right view thereof;
FIG. 4 is a left view thereof;
FIG. 5 is a top plan view thereof; and,
FIG. 6 is a bottom plan view thereof.

[56] **References Cited**
U.S. PATENT DOCUMENTS
D. 157,235 2/1950 Brown D21/171
D. 230,321 2/1974 Laser D21/149
D. 235,931 7/1975 Meeker D21/168
D. 296,807 7/1988 Shaw et al. D21/168
D. 315,001 2/1991 Bennett D21/189
D. 320,630 10/1991 Fortune et al. D21/155

1 Claim, 3 Drawing Sheets



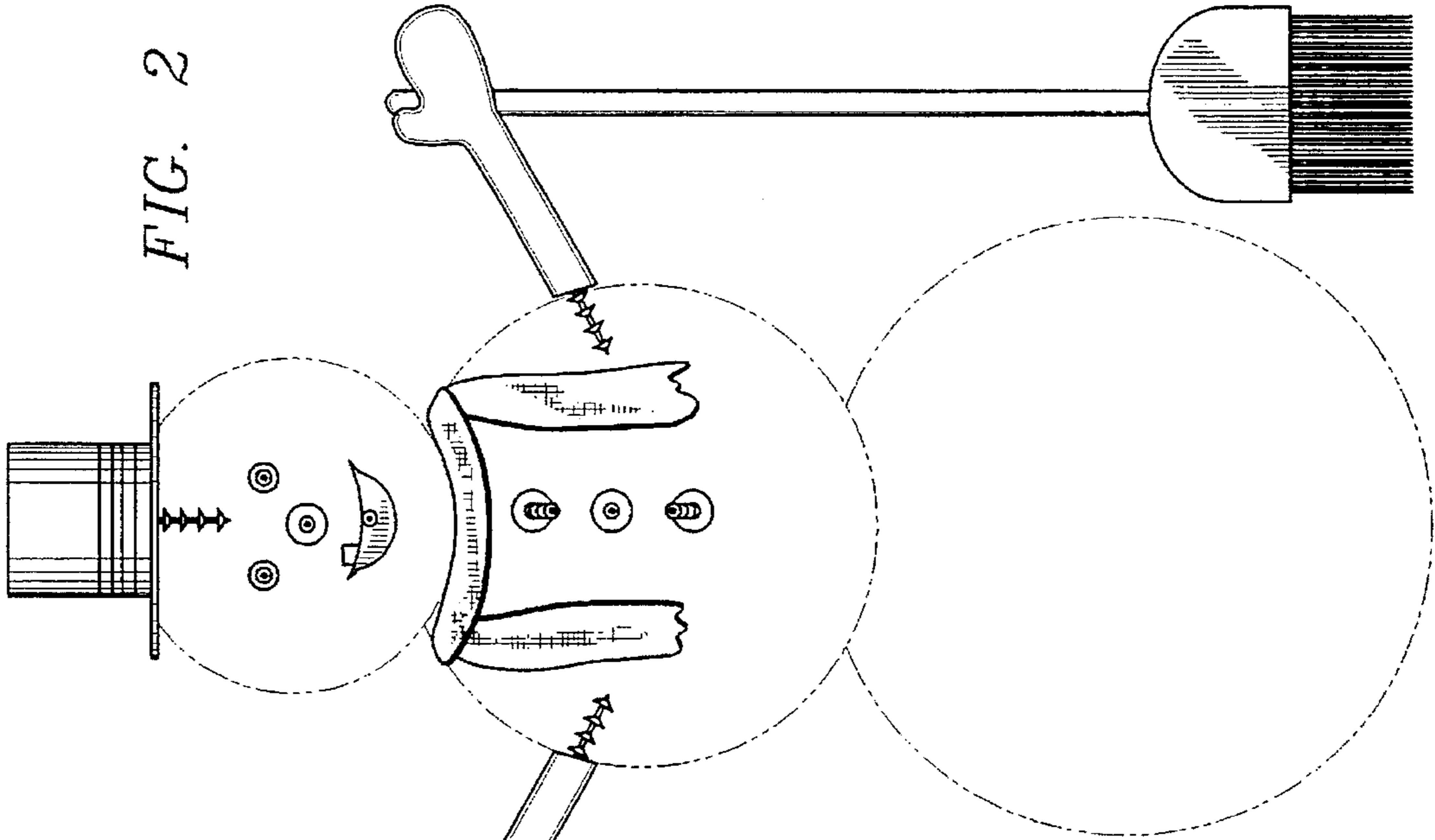
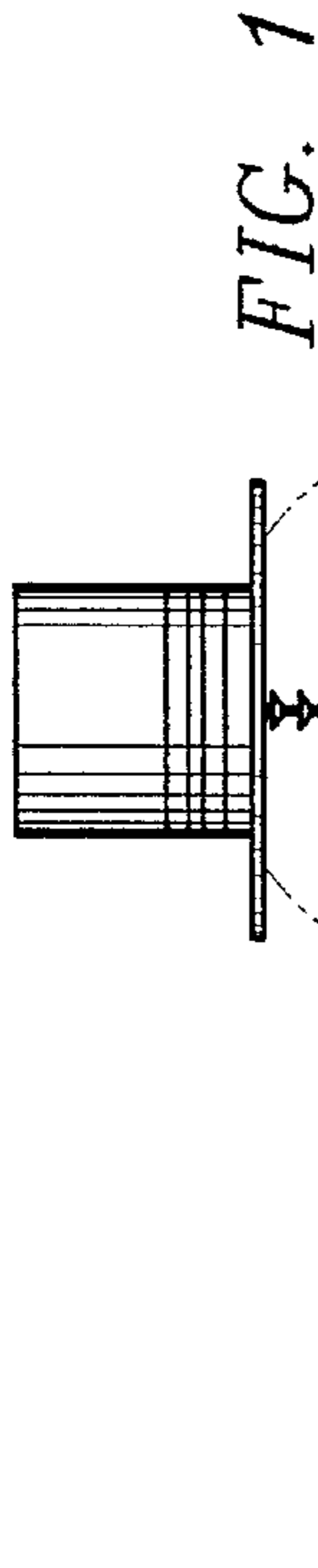


FIG. 4

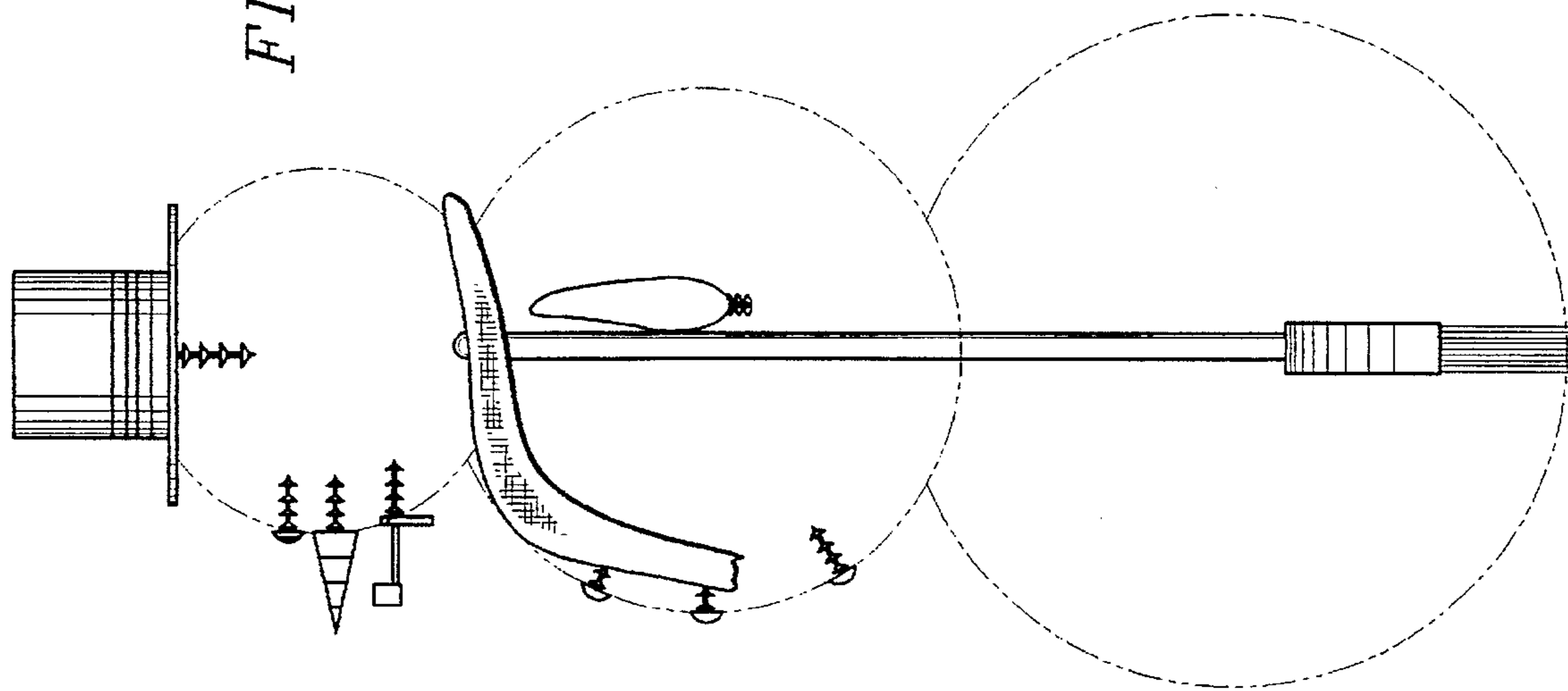


FIG. 3

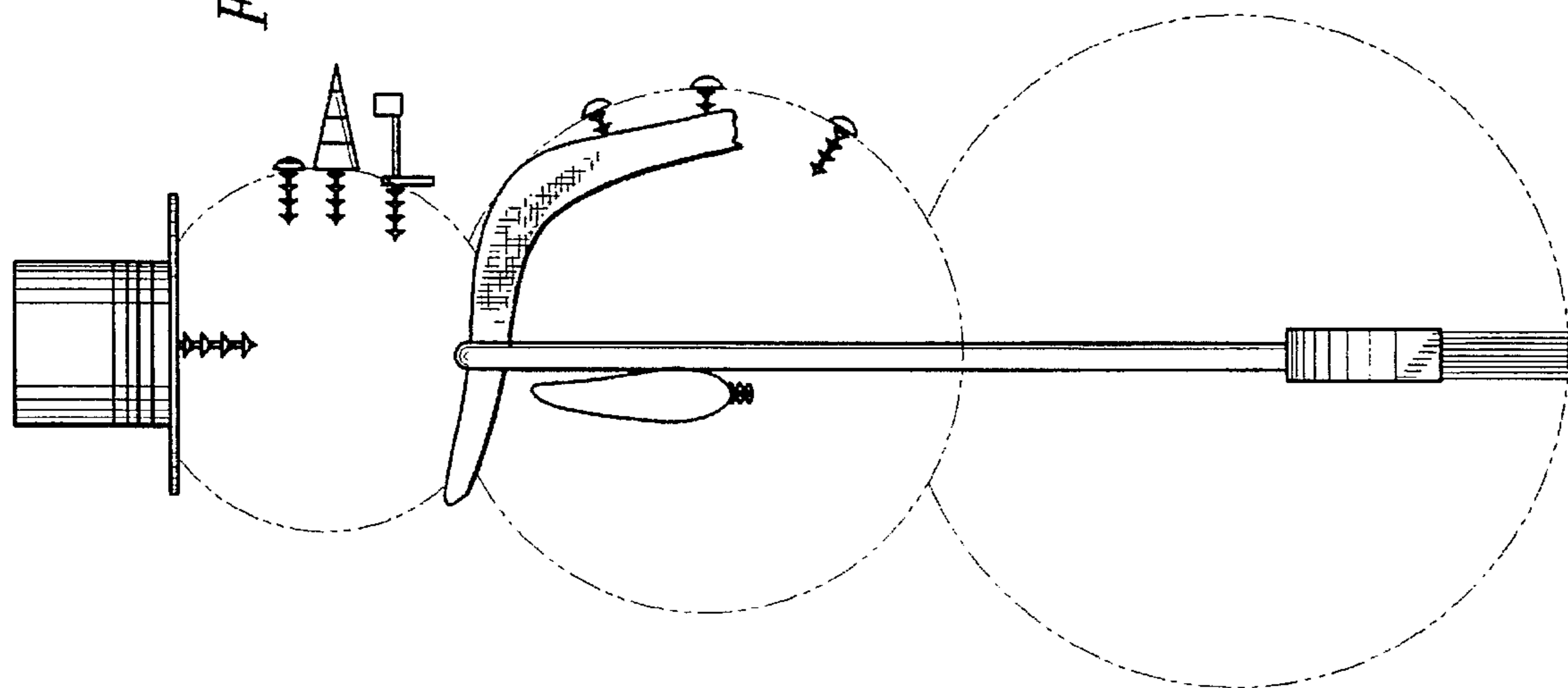


FIG. 5

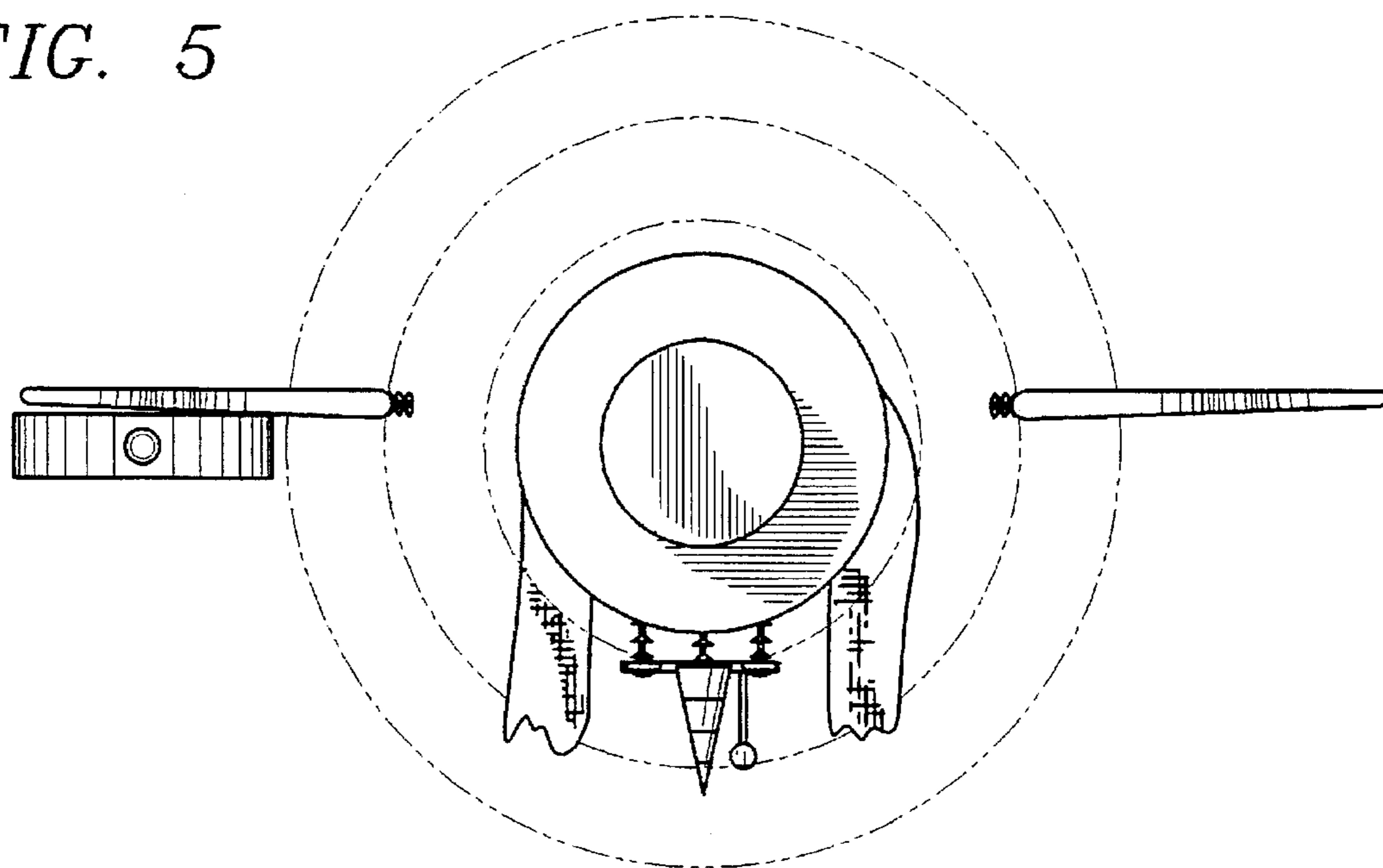


FIG. 6

