



US00D382313S

# United States Patent [19]

Petersson et al.

[11] Patent Number: Des. 382,313

[45] Date of Patent: \*\*Aug. 12, 1997

[54] BUILDING ELEMENT FOR BUILDING A TOY TUNNEL

[75] Inventors: Ingvar Petersson, Killeberg; Börje Sander, Lönsboda, both of Sweden

[73] Assignee: Brio AB, Sweden

[\*\*] Term: 14 Years

[21] Appl. No.: 55,667

[22] Filed: Jun. 10, 1996

### [30] Foreign Application Priority Data

Jan. 9, 1996 [SE] Sweden ..... 96-0037

[51] LOC (6) Cl. .... 21-01

[52] U.S. Cl. .... D21/108; D21/115

[58] Field of Search ..... D21/59, 109, 114-119; 446/110, 476, 471

### [56] References Cited

#### U.S. PATENT DOCUMENTS

101,179 3/1870 Swift ..... D21/114  
D. 115,903 8/1939 Berger ..... D21/118

D. 140,576 3/1945 Tackett ..... D21/114  
D. 262,556 1/1982 McElhaney ..... D21/118  
D. 351,629 10/1994 Ryaa et al. .... D21/108  
D. 361,101 8/1995 Clark ..... D21/108  
1,353,900 9/1920 Flatman ..... 446/471  
3,589,057 6/1971 Fechner ..... 446/476

### OTHER PUBLICATIONS

Constructive Playthings, 1992, p. 11, Block on left side of page.

Lionel Catalog, 1968, p. 39, Tunnels #121 and #131.

Primary Examiner—Raphael Barkai

Attorney, Agent, or Firm—Barnes, Kisselle, Raisch, Choate, Whittemore & Hulbert, P.C.

### [57] CLAIM

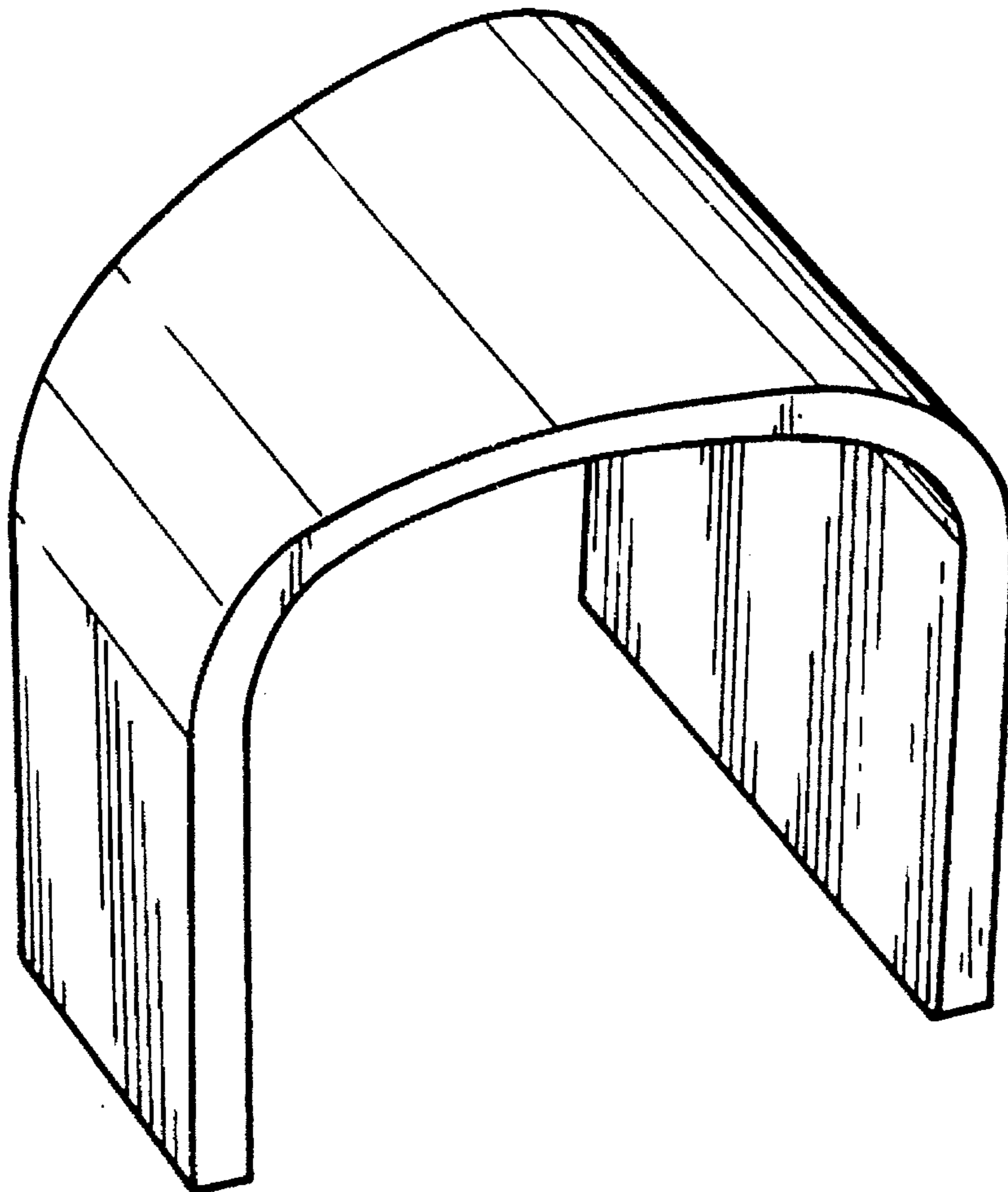
The ornamental design for a building element for building a toy tunnel, as shown and described.

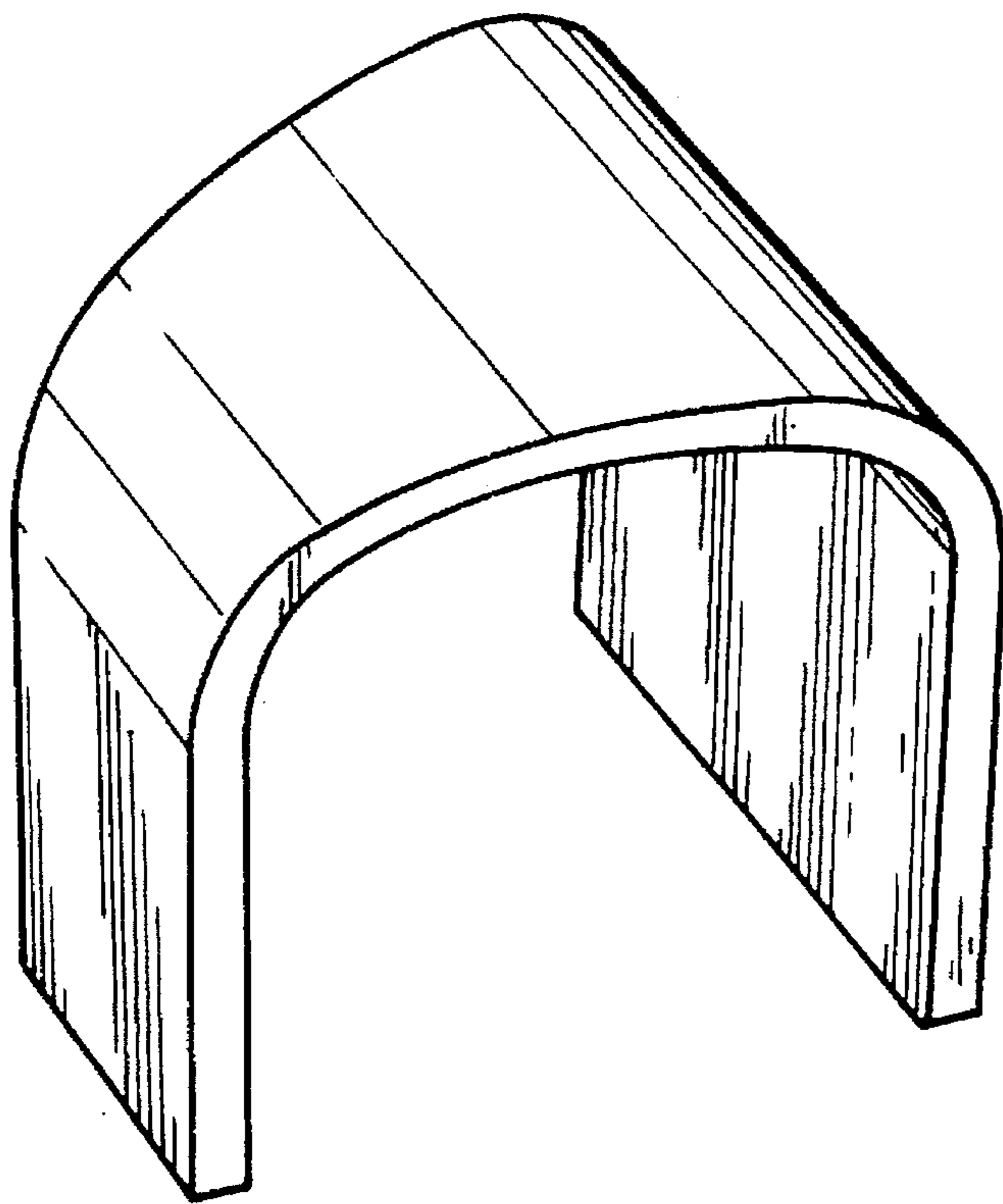
### DESCRIPTION

FIG. 1 is a top perspective view of the building element according to the new design; and,

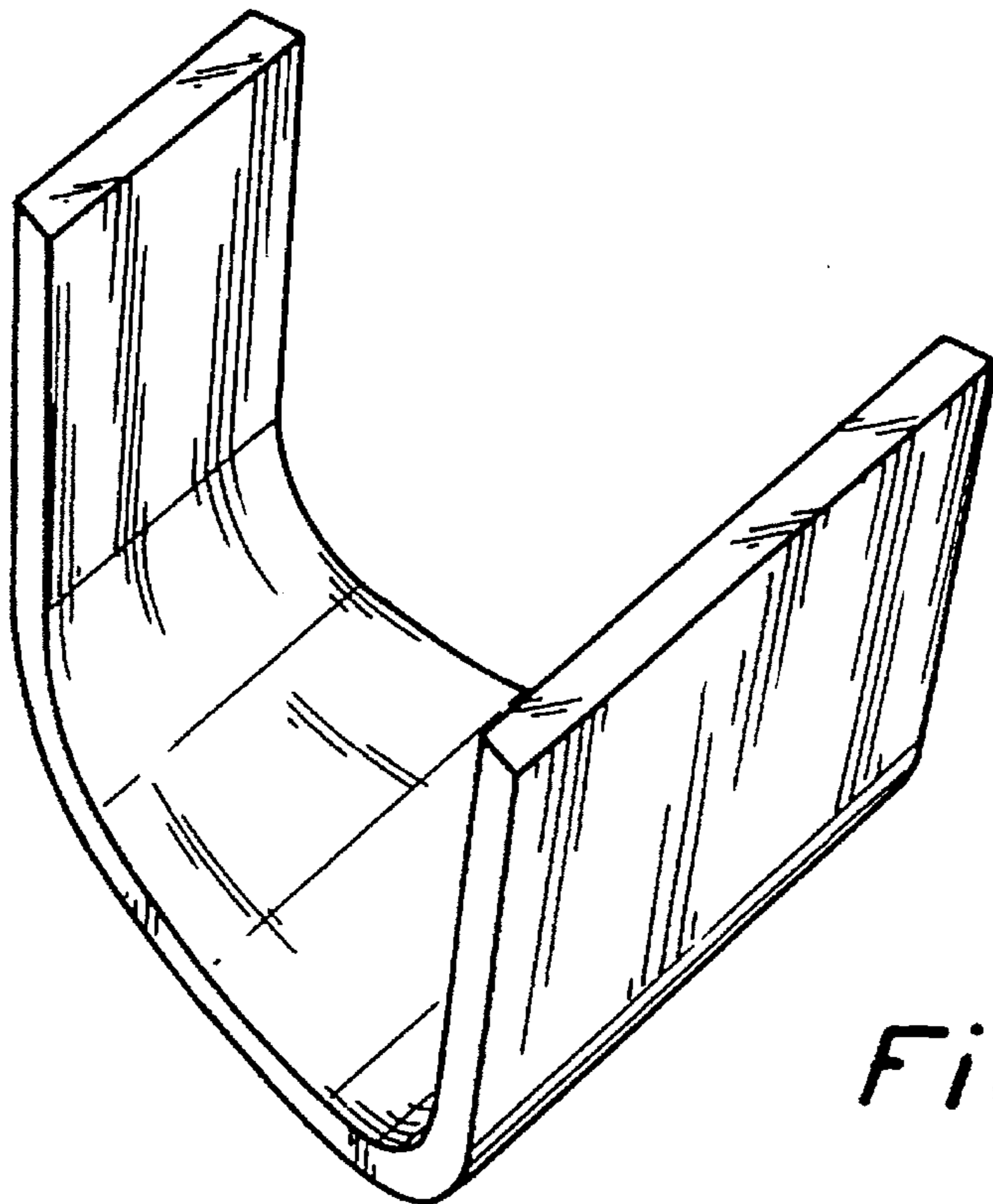
FIG. 2 is a bottom perspective view of the building element.

1 Claim, 1 Drawing Sheet





*Fig. 1*



*Fig. 2*