



US00D382312S

United States Patent [19]

Petersson et al.

[11] Patent Number: **Des. 382,312**

[45] Date of Patent: ****Aug. 12, 1997**

[54] **BUILDING ELEMENT FOR BUILDING A TOY TUNNEL**

[75] Inventors: **Ingvar Petersson, Killeberg; Börje Sander, Lönsboda, both of Sweden**

[73] Assignee: **Brio AB, Sweden**

[**] Term: **14 Years**

[21] Appl. No.: **55,665**

[22] Filed: **Jun. 10, 1996**

[30] Foreign Application Priority Data

Jan. 9, 1996 [SE] Sweden 96 0037

[51] LOC (6) Cl. **21-01**

[52] U.S. Cl. **D21/108; D21/115**

[58] Field of Search D21/59, 109, 114-119; 446/476, 110, 471

[56] References Cited

U.S. PATENT DOCUMENTS

101,179	3/1870	Swift	D21/114
D. 115,903	8/1939	Berger	D21/118
D. 140,576	3/1945	Tackett	D21/114
D. 262,556	1/1982	McElhaney	D21/118

D. 351,629	10/1994	Ryaa et al.	D21/108
D. 361,101	8/1995	Clark	D21/108
1,353,900	9/1920	Flatman	446/471
3,589,057	6/1971	Fechner	446/476

OTHER PUBLICATIONS

Constructive Playthings, 1992, p. 11, block on left side of page.
Lionel Catalog, 1968, p. 39, Tunnels #121 and #131.

Primary Examiner—Raphael Barkai
Attorney, Agent, or Firm—Barnes, Kisselle, Raisch, Choate, Whittemore & Hulbert, P.C.

[57] CLAIM

The ornamental design for a building element for building a toy tunnel, as shown and described.

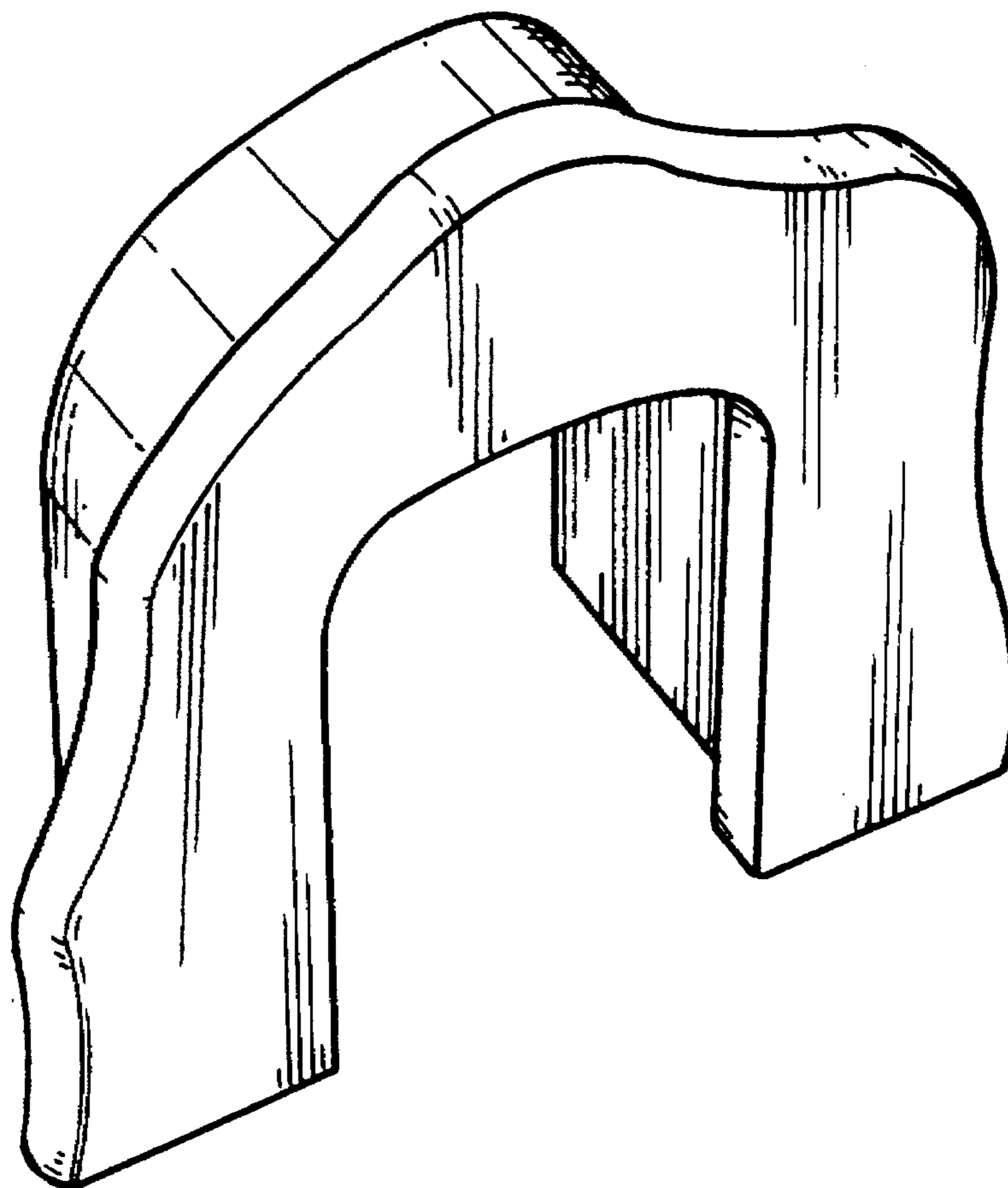
DESCRIPTION

FIG. 1 is a perspective view of the top side, the right side and the front side of the building element according to the new design;

FIG. 2 is a perspective view of the top side, the left side and the rear side of the building element; and,

FIG. 3 is a perspective view of the underside, the right side and the rear side of the building element.

1 Claim, 1 Drawing Sheet



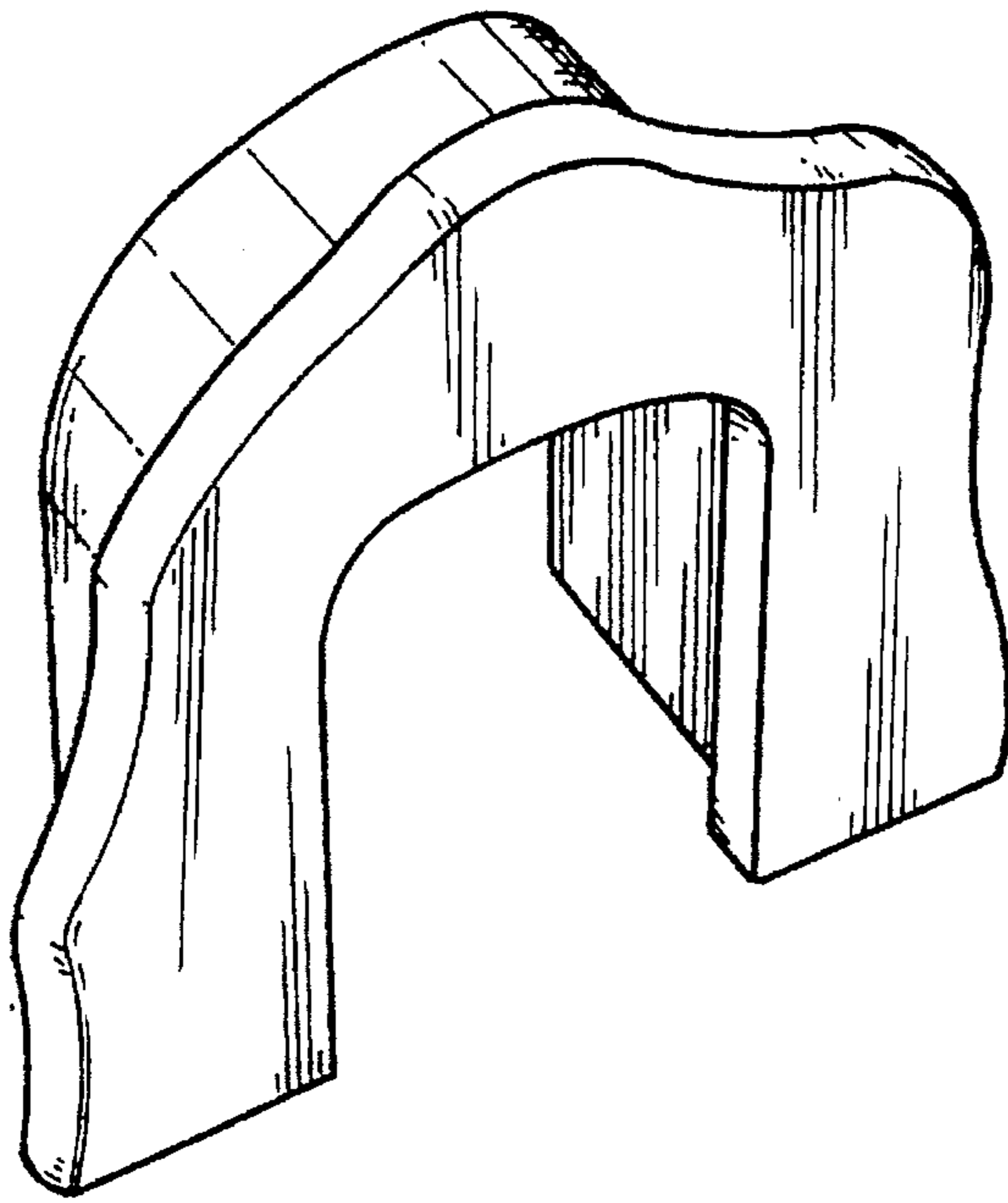


Fig. 1

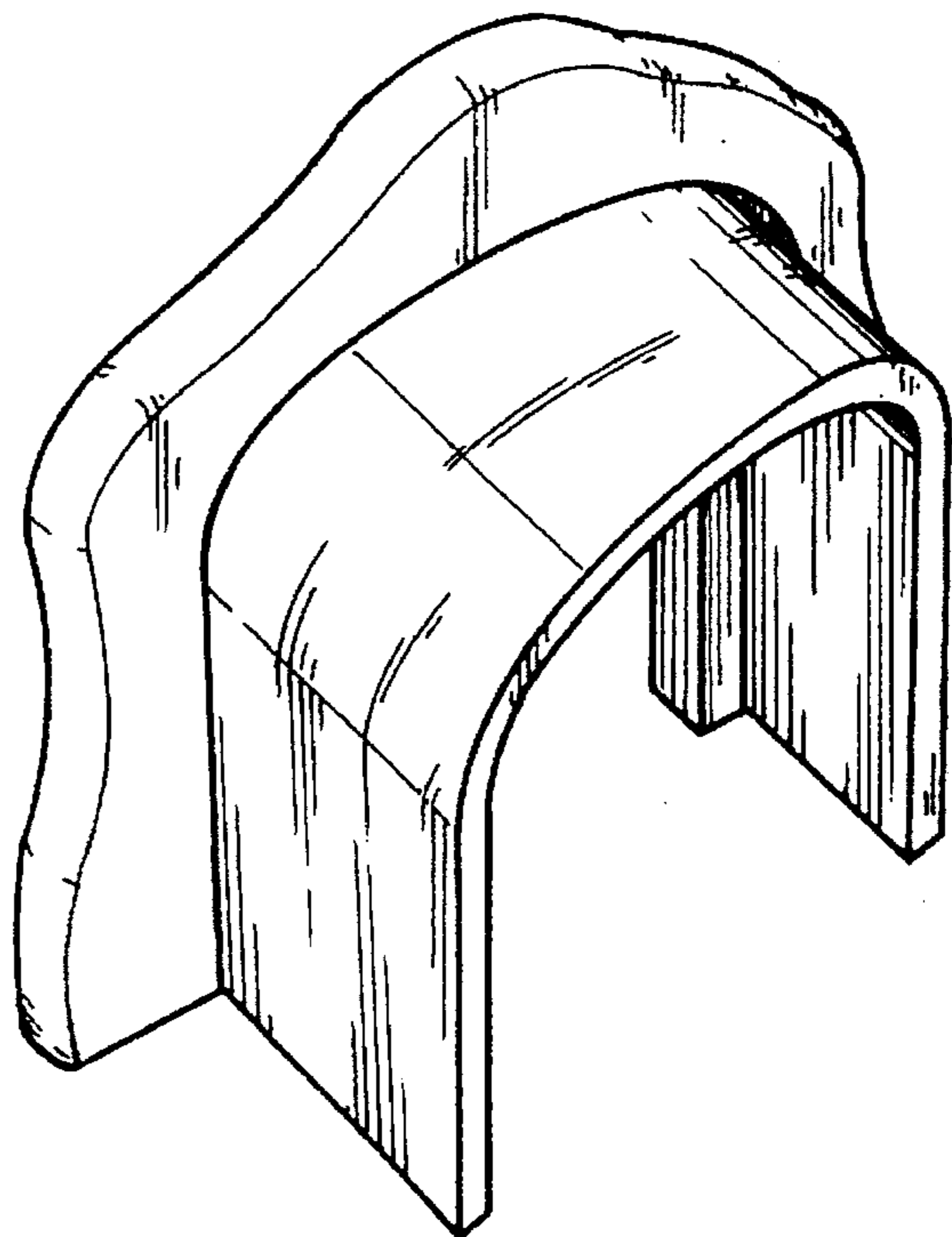


Fig. 2

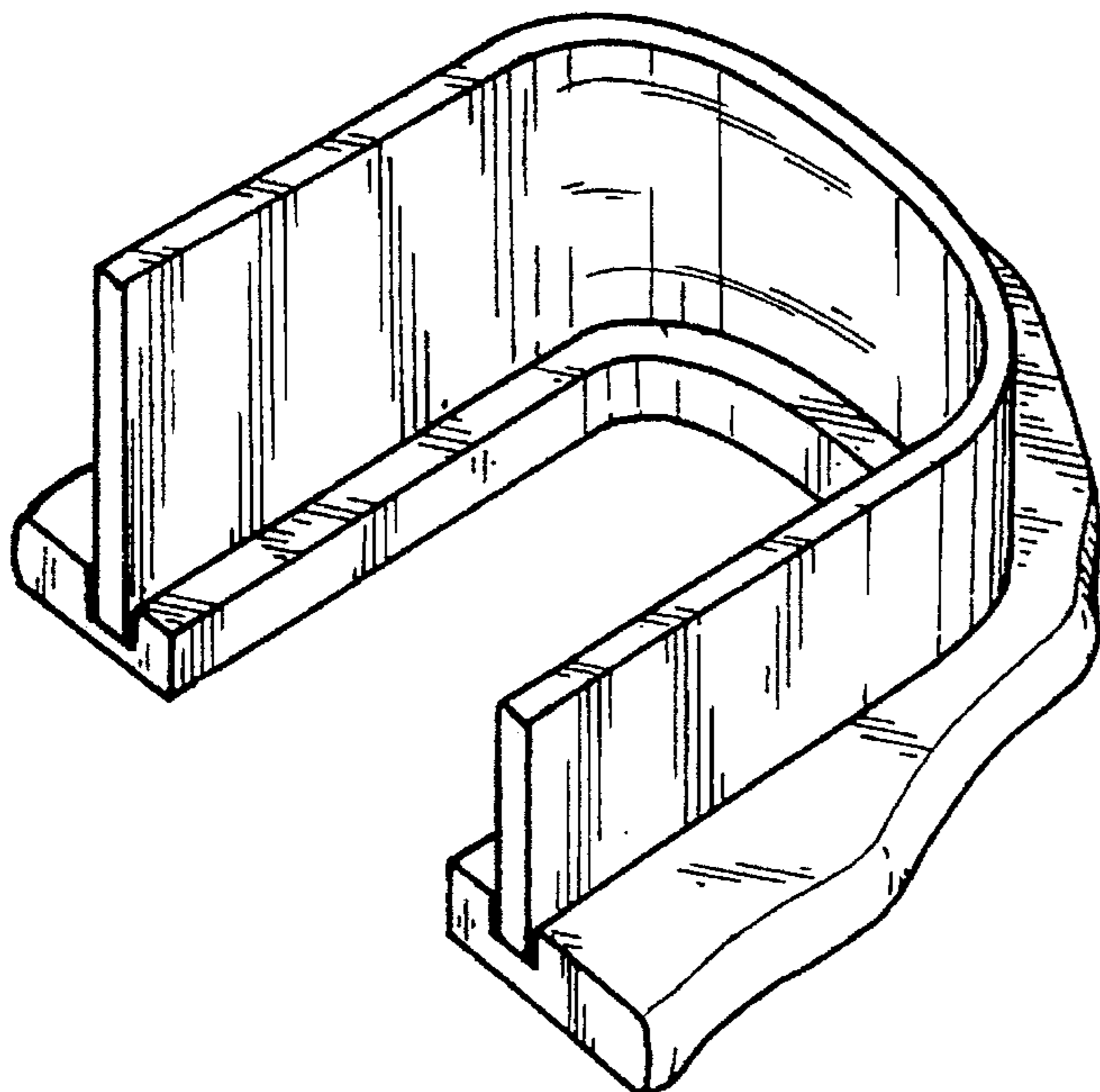


Fig. 3