



US00D382309S

United States Patent [19]

[11] Patent Number: Des. 382,309

Brown et al.

[45] Date of Patent: **Aug. 12, 1997

[54] TOY WAGON

4,763,907	8/1988	Raymond	280/47.35
4,930,831	6/1990	Valiga et al.	296/26
5,141,241	8/1992	Avila	280/47.371
5,360,222	11/1994	Bro et al.	280/87.021

[75] Inventors: **Patrick W. Brown**, Strongsville; **Jeffery G. Martin**, Hudson; **John Nottingham**, Chagrin Falls; **John W. Spirk**, Gates Mills, all of Ohio

FOREIGN PATENT DOCUMENTS

[73] Assignee: **The Little Tikes Company**, Hudson, Ohio

979410	1/1949	France
2257	of 1884	United Kingdom

[**] Term: 14 Years

OTHER PUBLICATIONS

[21] Appl. No.: 43,425

P. 33, Toy wagon; Today's Kids, Inc., Highway 10 East, Booneville, Arkansas 72927. Publication date 1994.

[22] Filed: Sep. 5, 1995

P. 40, Toy wagon; Fisher-Price, 620 Girard Avenue, East Aurora, New York 14502. Publication date 1993.

[51] LOC (6) Cl. 21-01

Catalog page, Toy wagons; Step 2 Corporation, Twinsburg, Ohio. Publication date 1993.

[52] U.S. Cl. D21/71

Pp. 10, 11, 12, 13 and 14, Toy wages; Radio Flyer, Inc., 6515 West Grand Avenue, Chicago, Illinois 60635. Publication date 1991.

[58] Field of Search D21/71-81, 128, D21/131-140, 224; D12/11, 6, 131, 1, 130; 280/87.021, 87.01, 87.041, 87.051, 87.043; 446/465, 440, 451

Pp. 44 and 45, Toy wagons; The Little Tikes Company, 2180 Barlow Road, Hudson, Ohio 44236. Publication date 1994.

[56] References Cited

P. 16 Toy Wagons, Step 2 Corp. Streetsboro, Ohio, 1994.

U.S. PATENT DOCUMENTS

Primary Examiner—Raphael Barkai

Attorney, Agent, or Firm—Richard B. O'Planick; Lisa B. Riedesel

D. 137,778	4/1944	DuBois	D14/14
D. 145,468	8/1946	Spence	D14/14
D. 146,695	4/1947	Zepp	D14/14
D. 153,534	4/1949	Light	D5/5
D. 311,554	10/1990	Valiga et al.	D21/71
D. 316,576	4/1991	Vanhuysee	D21/71
D. 326,288	5/1992	Arnot et al.	D21/71
D. 327,101	6/1992	Halter et al.	D21/71
D. 345,130	3/1994	Schattner	D12/133
D. 366,633	1/1996	Pasin	D12/11
942,679	12/1909	Spencer	.
1,203,831	11/1916	Wittman	.
1,842,159	1/1932	Fleishman et al.	.
2,032,532	3/1936	Eck	296/28
2,527,434	10/1950	Little et al.	155/22
2,552,453	5/1951	Pintar	296/28
3,241,853	3/1966	Pasin	280/87.01
4,222,582	9/1980	Tonelli et al.	280/87.02
4,227,709	10/1980	Gradwohl et al.	280/47.11
4,300,783	11/1981	Fisher	280/87.021
4,735,426	4/1988	McConnell	280/87.01
4,744,575	5/1988	Tonelli	280/87.01

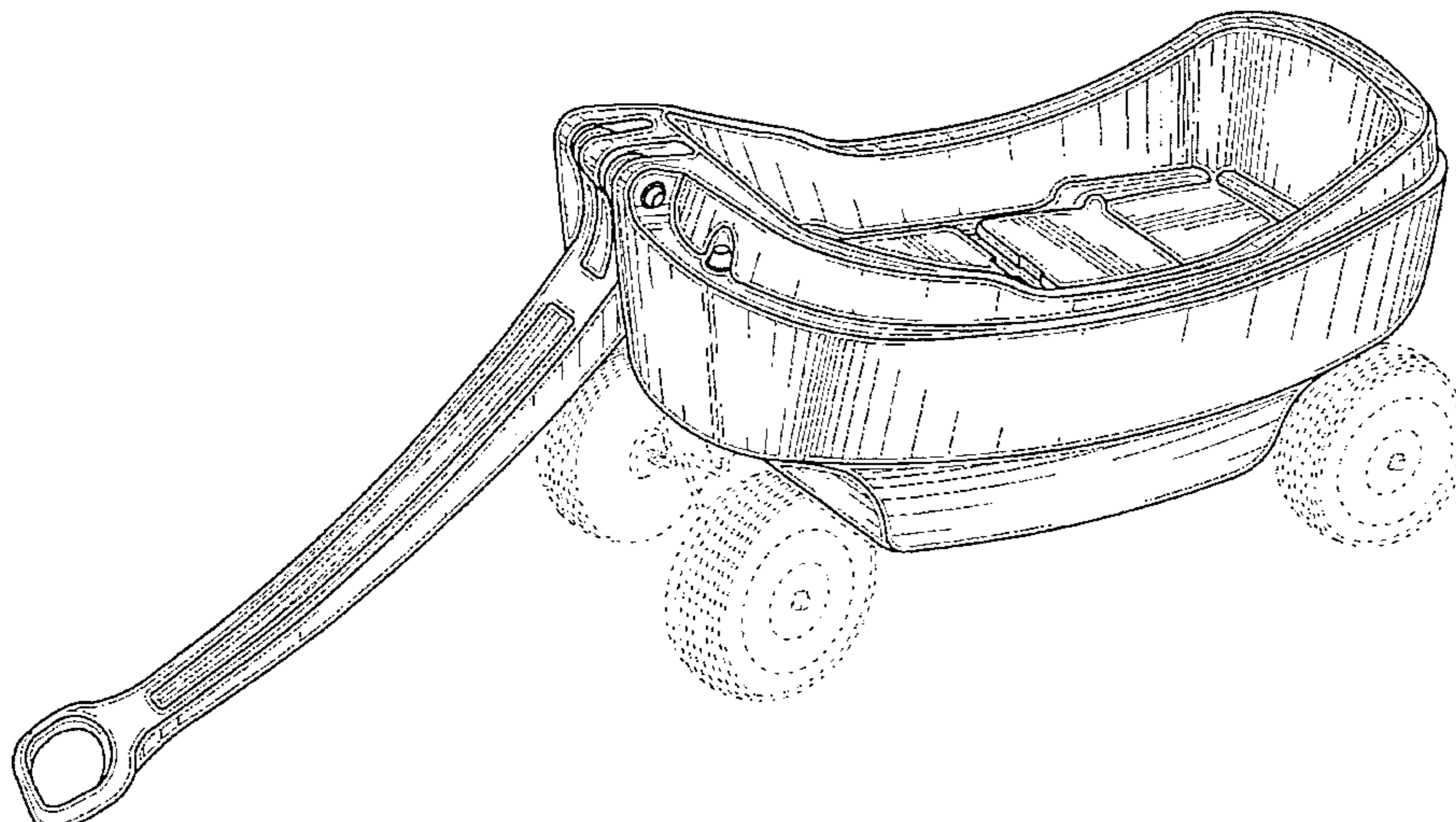
[57] CLAIM

The ornamental design for a toy wagon, as shown and described.

DESCRIPTION

FIG. 1 is a top right front perspective view of a toy wagon showing our new design; FIG. 2 is a top plan view thereof; FIG. 3 is a left side elevational view thereof, the right side elevational view being a mirror image; FIG. 4 is a front elevational view thereof; FIG. 5 is a rear elevational view thereof; and, FIG. 6 is a bottom plan view thereof. The broken lines are for illustrative purposes only and forms no part of the claimed design.

1 Claim, 5 Drawing Sheets



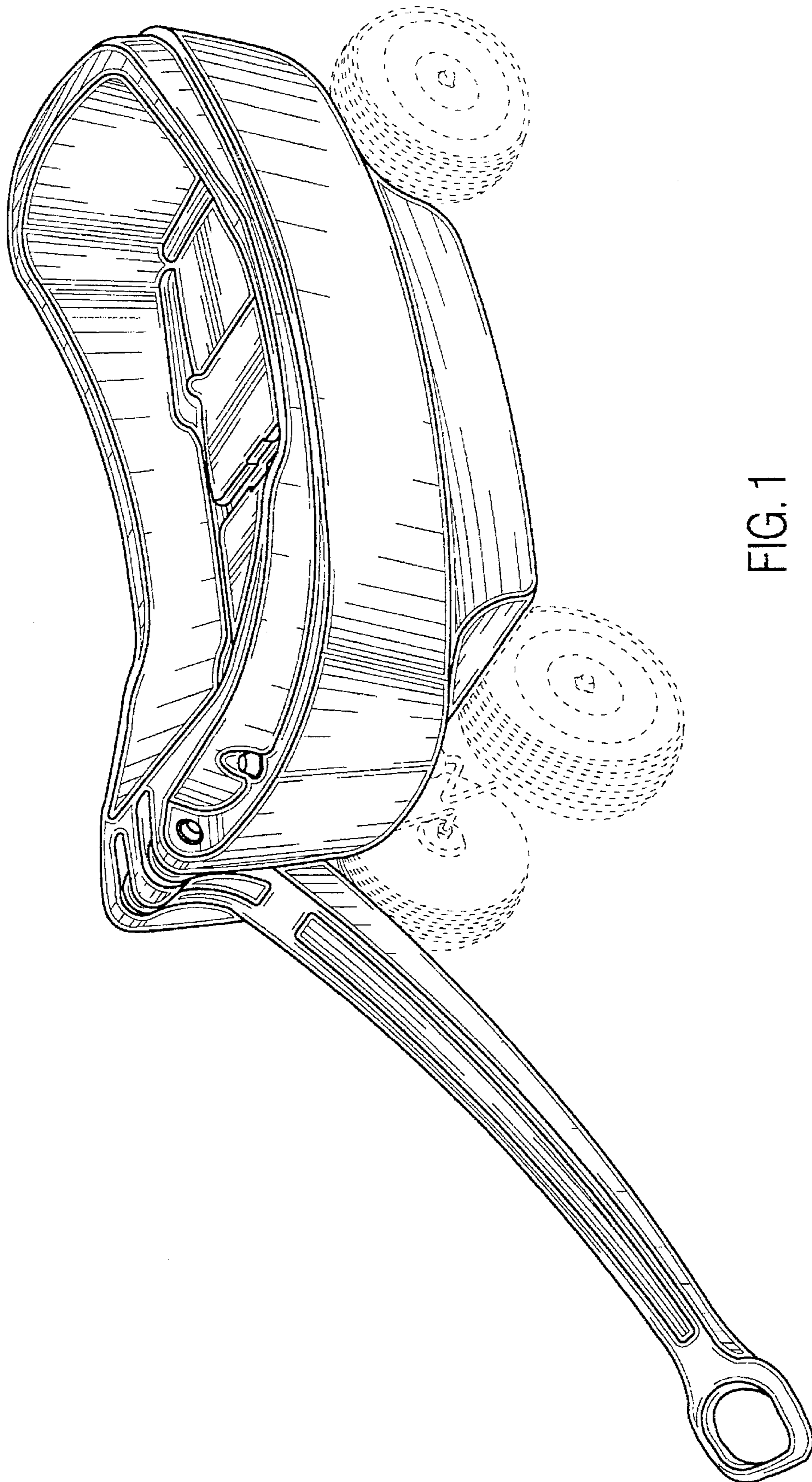


FIG. 1

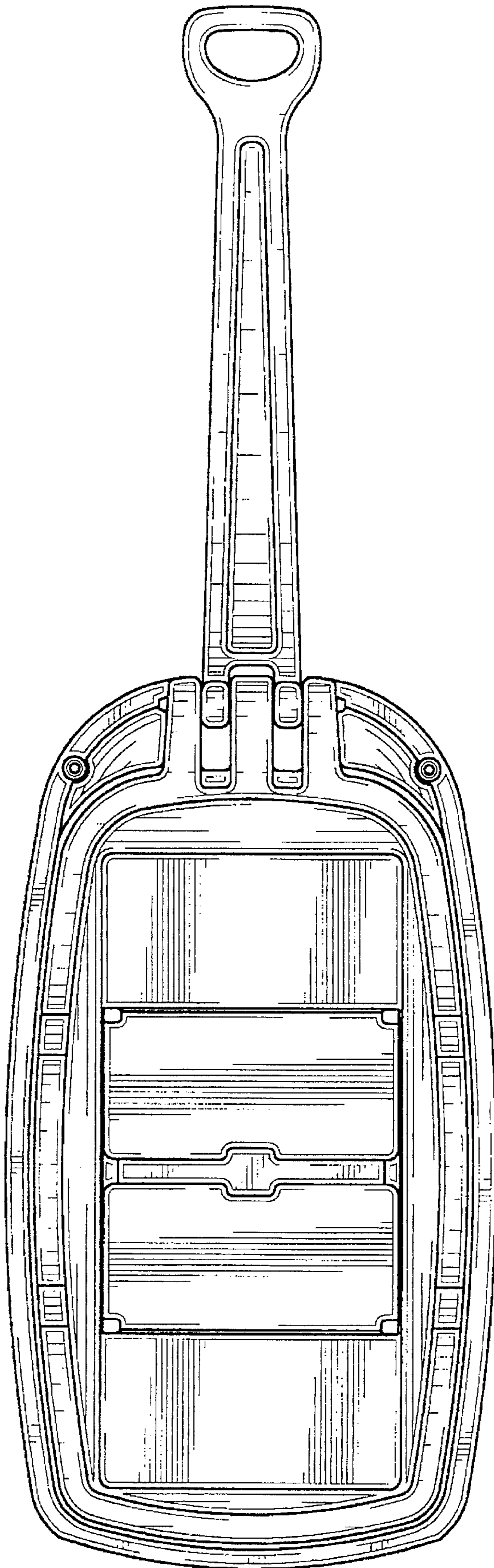


FIG. 2

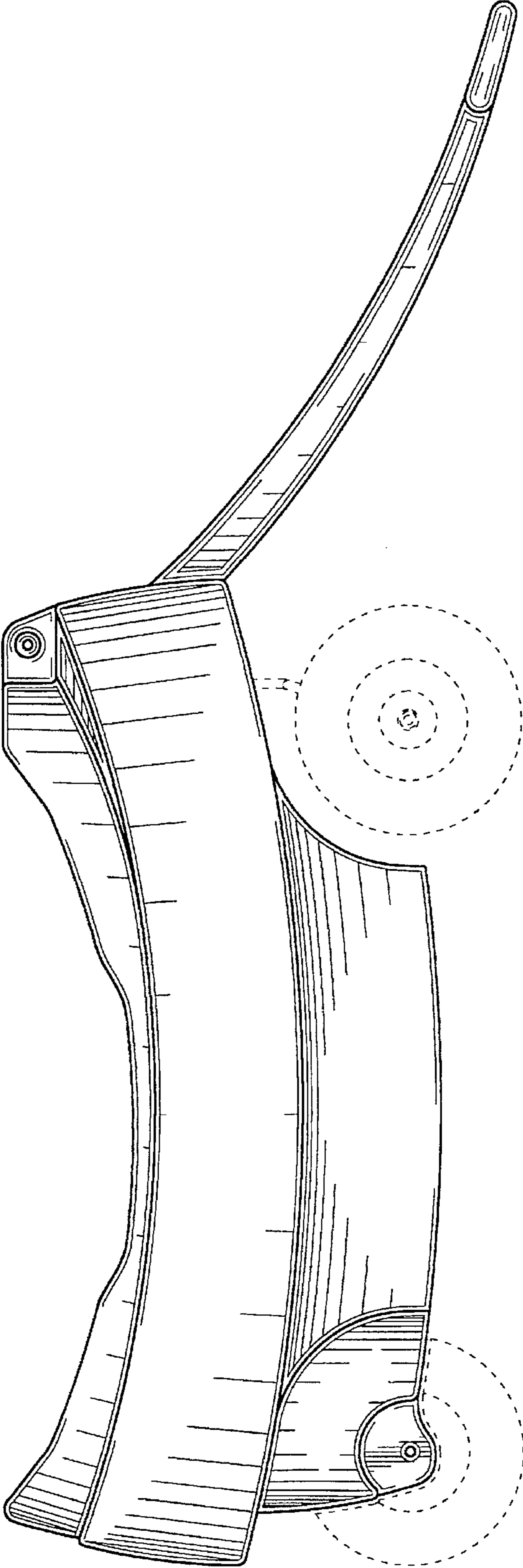


FIG. 3

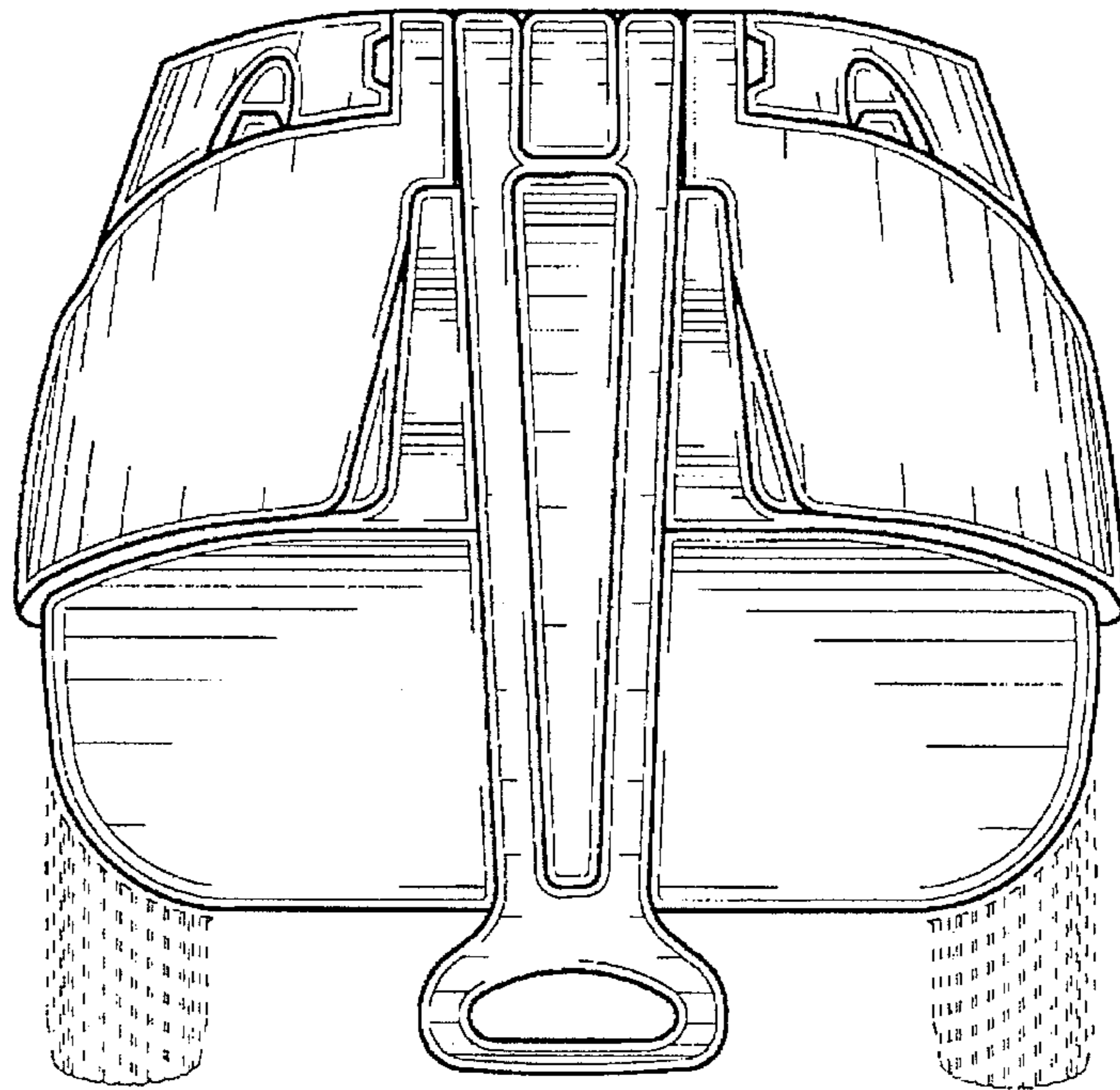


FIG. 4

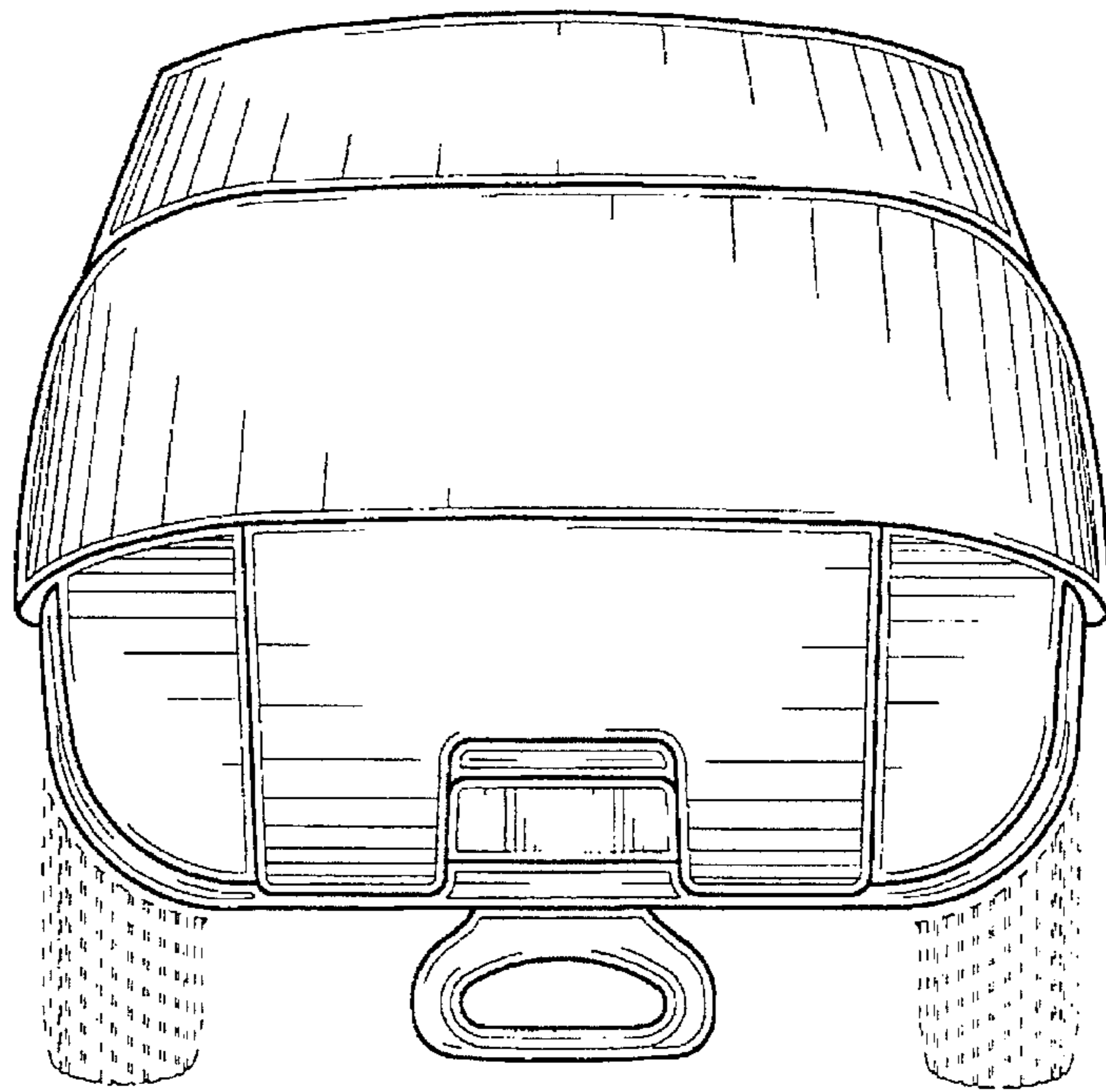


FIG. 5

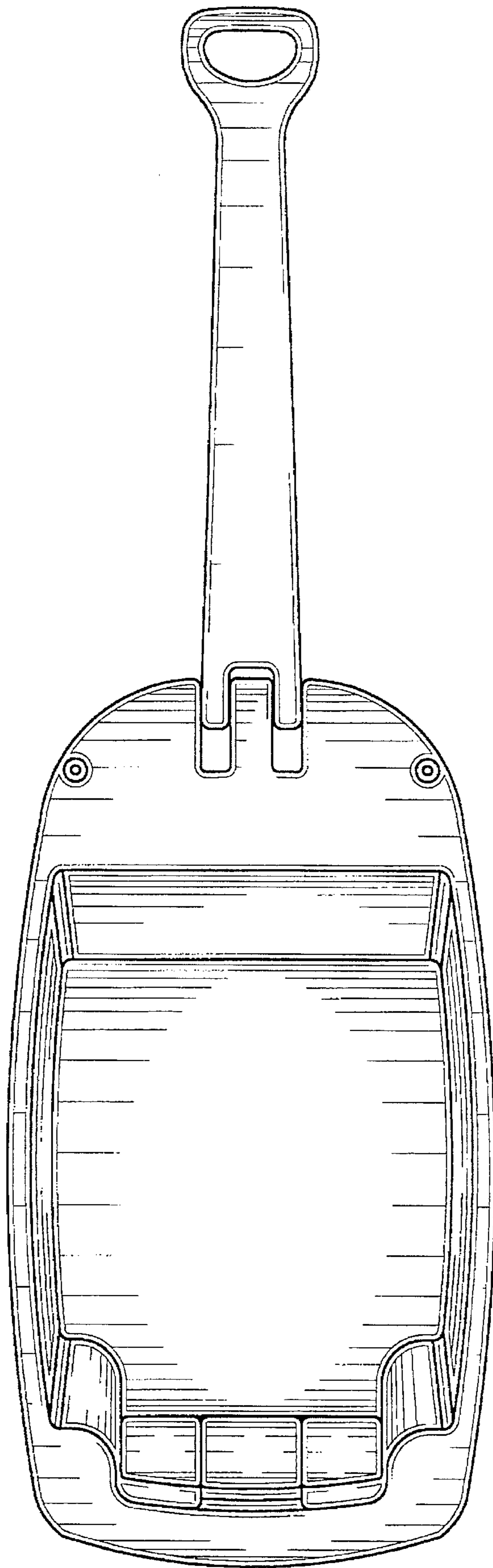


FIG. 6