

US00D382307S

United States Patent [19]

Sharpe, III et al.

[11] Patent Number: **Des. 382,307**

[45] Date of Patent: ****Aug. 12, 1997**

[54] **REMOTE CONTROL SOUND TOY**

[75] Inventors: **Henry Sharpe, III**, Saunderstown;
Ralph Beckman, Providence, both of
 R.I.; **Stephen Schwartz**, 507 Cole Ave.,
 Providence, R.I. 02906; **Ming K. M.
 Wong**, New Territories, Hong Kong

D. 215,675 10/1969 Yran D14/195
 D. 301,156 5/1989 Bullard D21/64
 D. 317,472 6/1991 Sasaki et al. D21/64

Primary Examiner—Dominic Simone
Attorney, Agent, or Firm—Salter & Michaelson

[73] Assignees: **Design Lab, LLC**; **Stephen Schwartz**,
 both of Providence, R.I.; a part interest

[57] CLAIM

The ornamental design for a remote control sound toy, as shown and described.

[**] Term: **14 Years**

DESCRIPTION

[21] Appl. No.: **54,341**

[22] Filed: **May 1, 1996**

[51] LOC (6) Cl. **21-01**

[52] U.S. Cl. **D21/64; D21/59; D14/188;**
 D14/195

[58] Field of Search D21/59, 64; D14/188,
 D14/189, 195; 455/344, 347-351

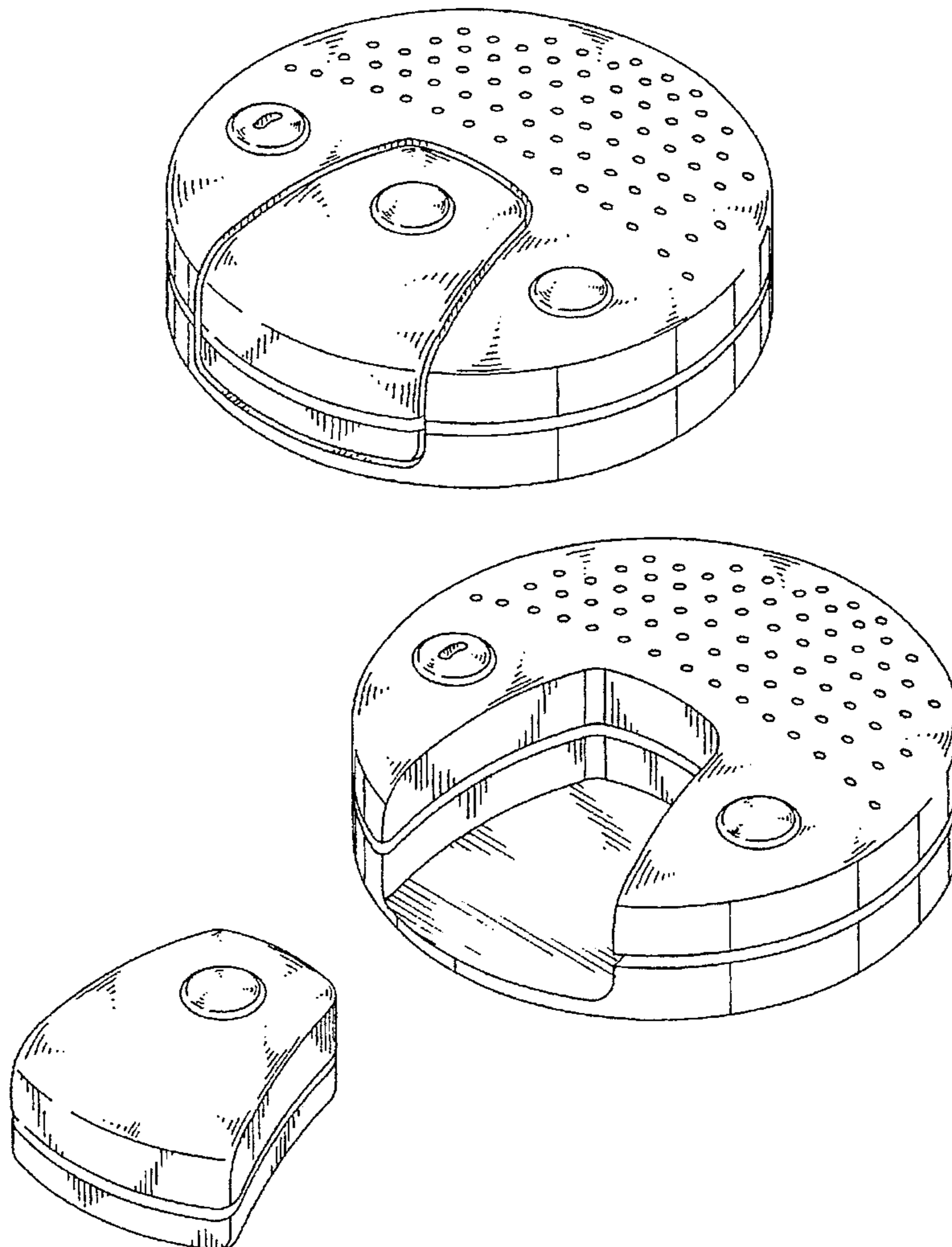
FIG. 1 is a perspective view of my new design for a remote control sound toy;
 FIG. 2 is a top view thereof;
 FIG. 3 is a bottom view thereof;
 FIG. 4 is a front view thereof;
 FIG. 5 is a rear view thereof;
 FIG. 6 is a right side view thereof;
 FIG. 7 is a left side view thereof; and,
 FIG. 8 is an exploded perspective view with the remote control portion of the device removed from the base unit.

[56] References Cited

U.S. PATENT DOCUMENTS

D. 206,596 1/1967 Ryan D21/64

1 Claim, 3 Drawing Sheets



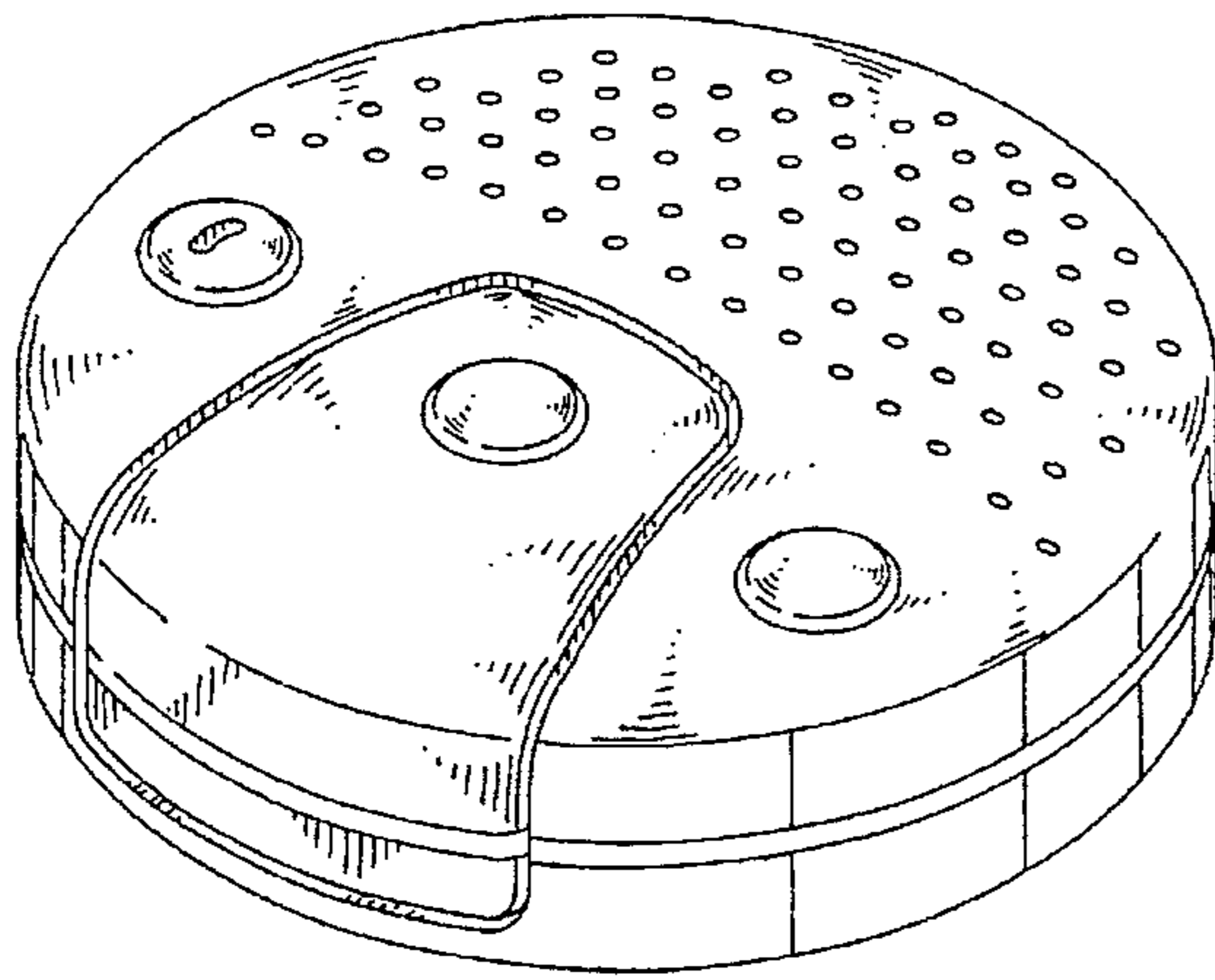


FIG. 1

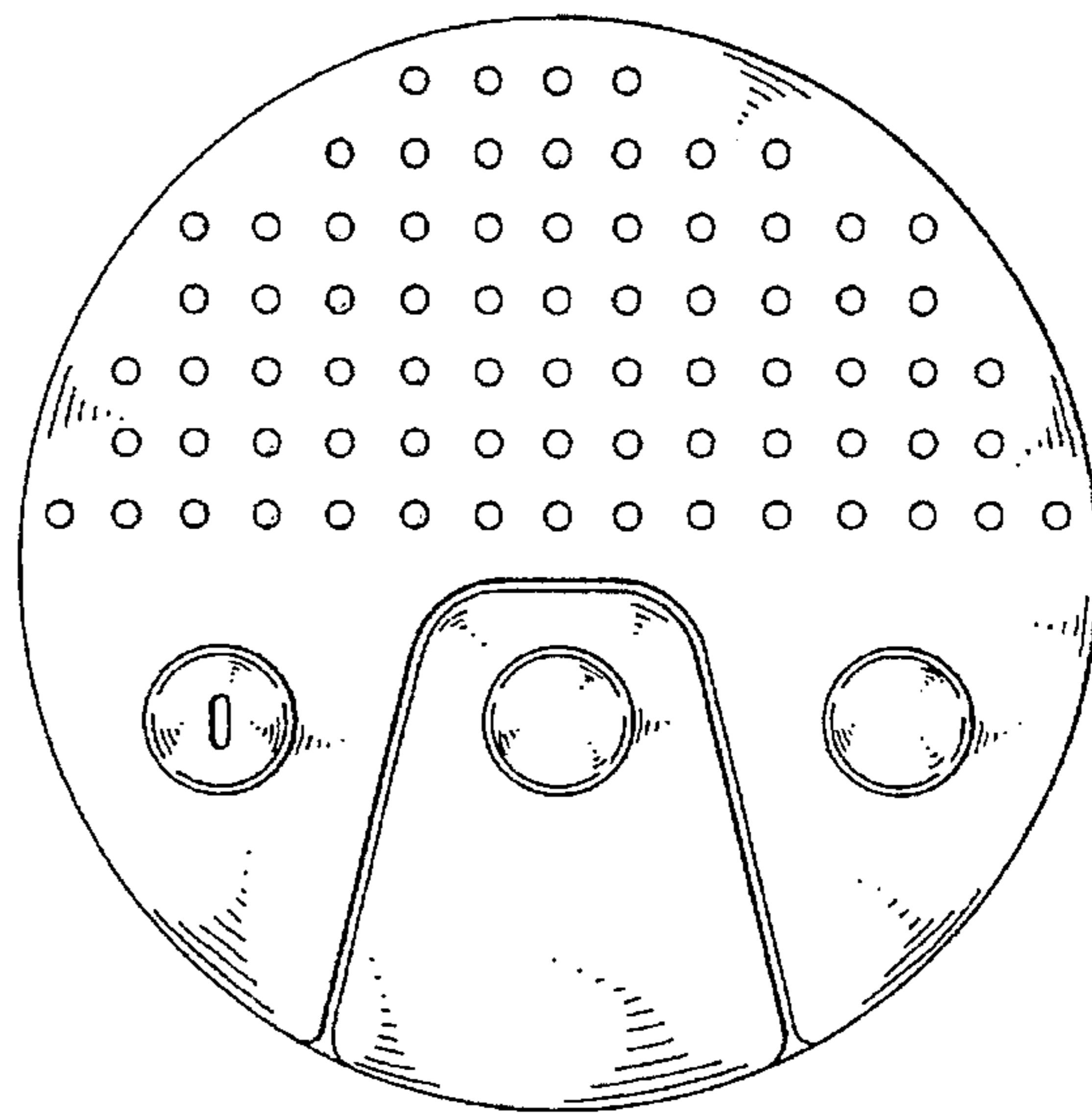


FIG. 2

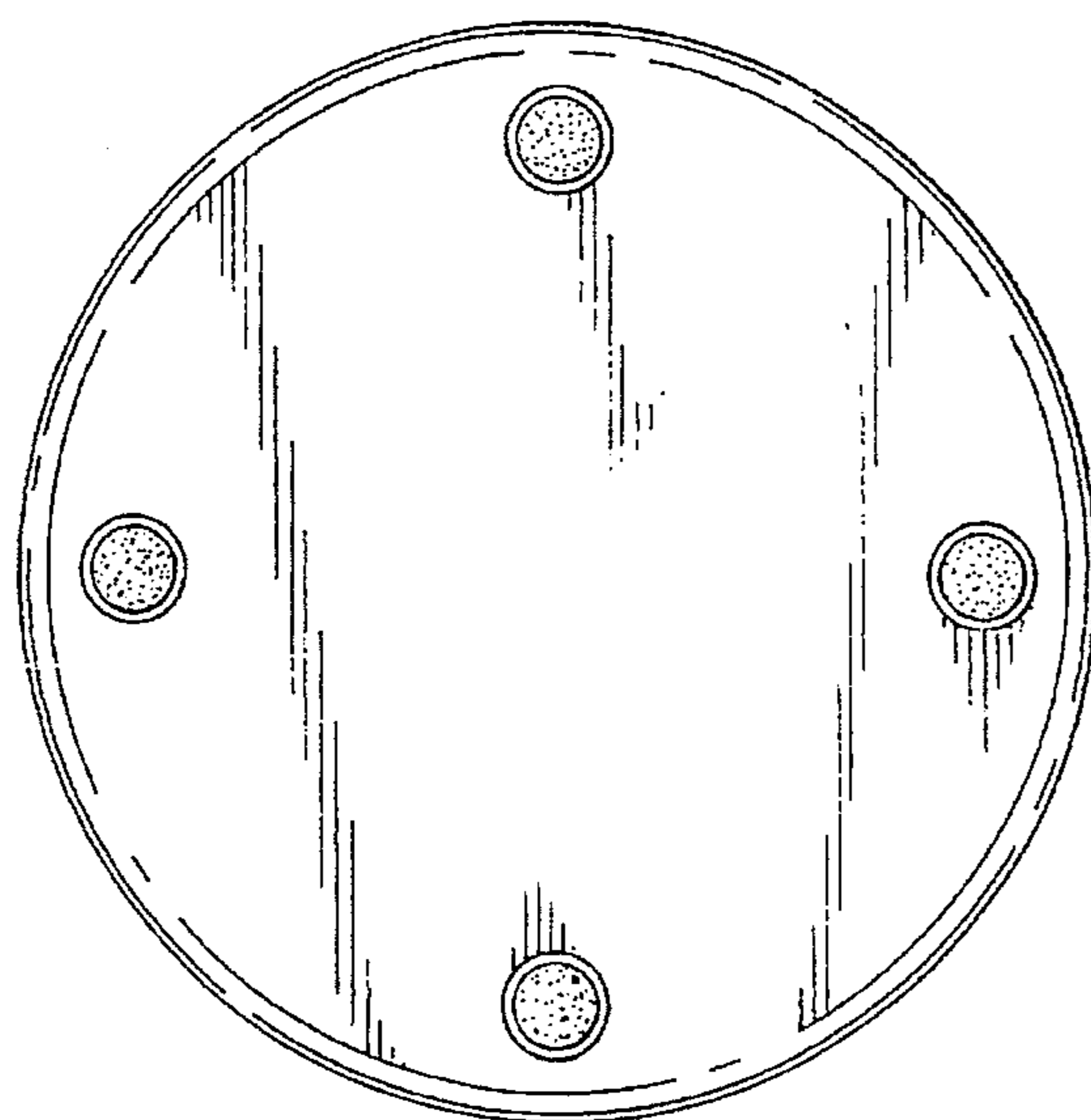


FIG. 3

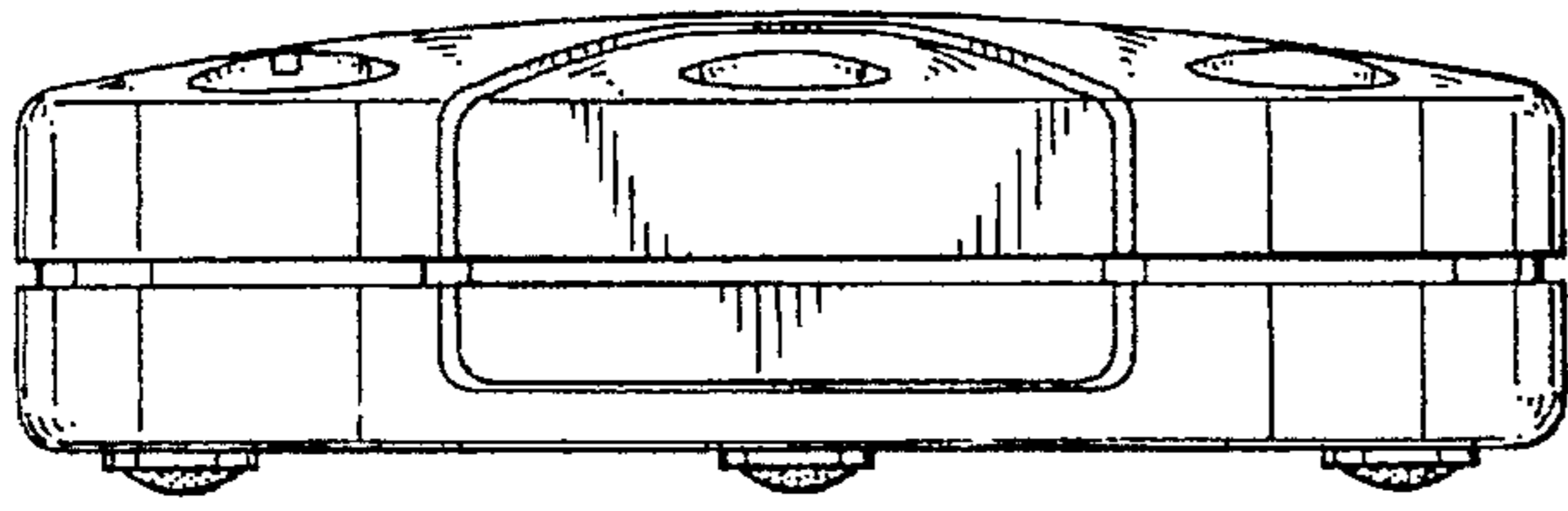


FIG. 4

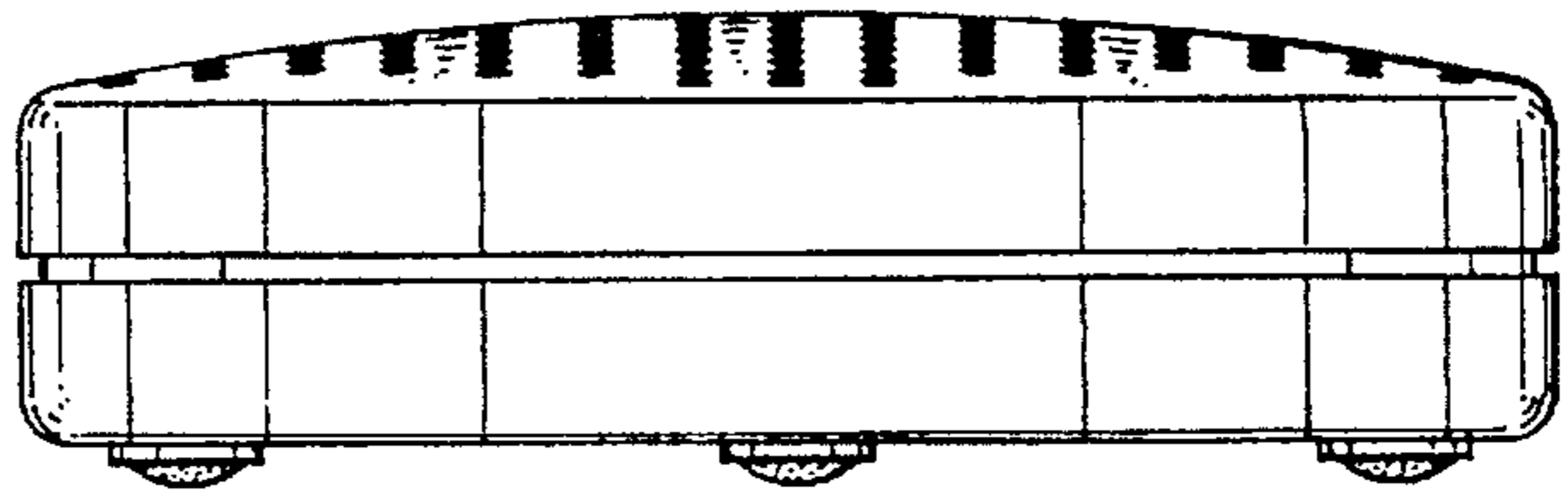


FIG. 5

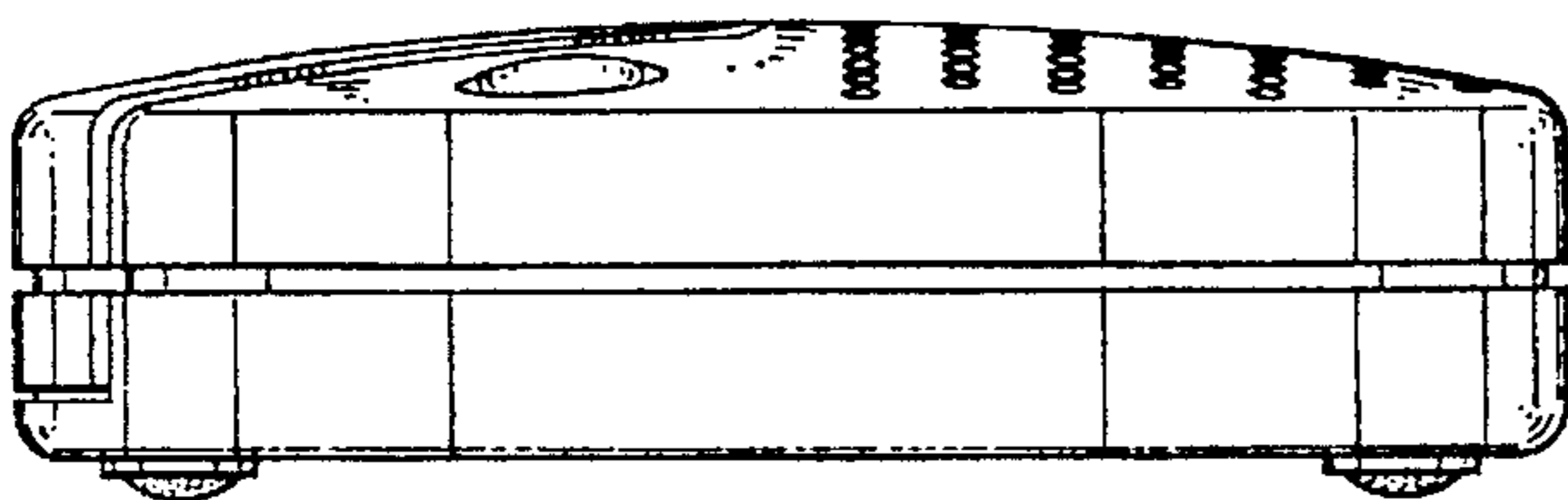


FIG. 6

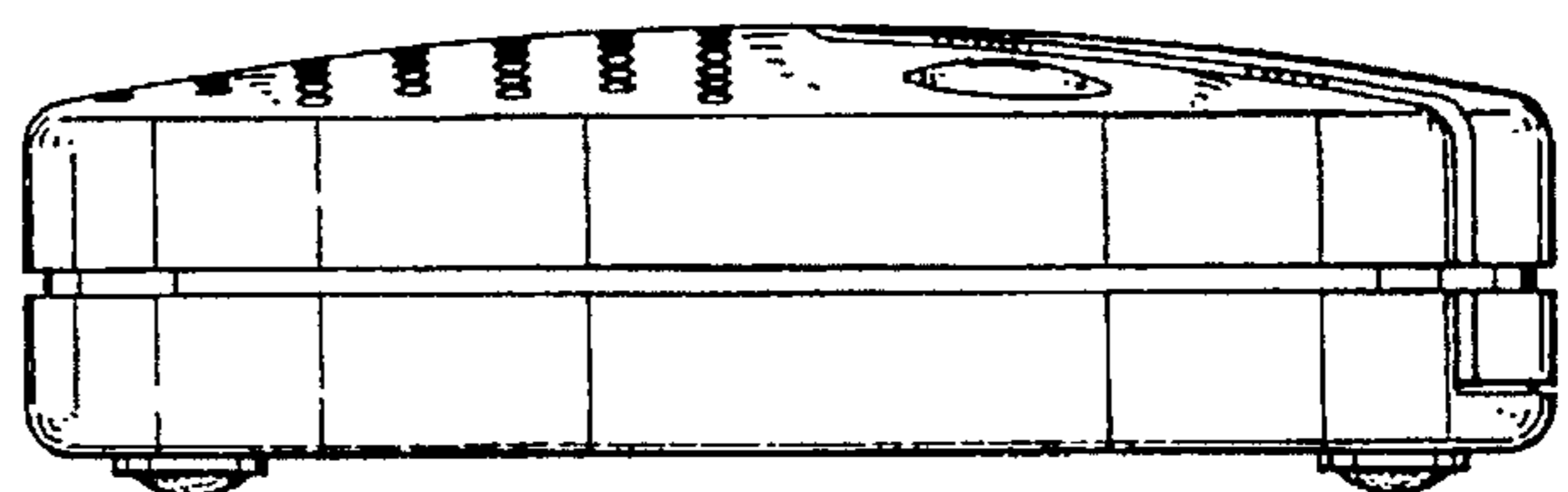


FIG. 7

