



US00D382297S

United States Patent [19]

McGlashan et al.

[11] Patent Number: Des. 382,297

[45] Date of Patent: **Aug. 12, 1997

[54] **INFRARED COMMUNICATION PORT FOR A PORTABLE INKJET PRINTER**

[75] Inventors: **David Bruce McGlashan; Kong Hock Lim**, both of Singapore, Singapore

[73] Assignee: **Hewlett-Packard Company**, Palo Alto, Calif.

[**] Term: **14 Years**

[21] Appl. No.: **50,875**

[22] Filed: **Feb. 28, 1996**

[51] **LOC (6) Cl.** **18-02**

[52] **U.S. Cl.** **D18/56; D14/114**

[58] **Field of Search** D13/147, 146; D18/50, 54-55; 361/737, 684; 375/222; 359/152; 439/620, 638, 651; D14/114, 107

[56] **References Cited**

U.S. PATENT DOCUMENTS

D. 317,005	5/1991	Wickrema et al.	D14/107
D. 328,595	8/1992	Lou	D14/107
D. 358,380	5/1995	Sakaguchi	D14/114
D. 366,477	1/1996	Gassett et al.	D13/147
4,543,450	9/1985	Brandt	375/222
4,677,982	7/1987	Llinas et al.	359/152
5,136,467	8/1992	Kaneda et al.	361/684
5,191,461	3/1993	Cranshaw et al.	359/152
5,202,899	4/1993	Walsh	375/222

5,337,220	8/1994	Granitz	361/684
5,373,149	12/1994	Rasmussen	361/737
5,416,627	5/1995	Wilmoth	359/152
5,457,601	10/1995	Georgapulas et al.	375/222
5,491,720	2/1996	Davis et al.	375/222
5,515,398	5/1996	Walsh et al.	375/222
5,519,571	5/1996	Shieh	439/638
5,548,654	8/1996	Fast	359/152

FOREIGN PATENT DOCUMENTS

2137819	10/1984	United Kingdom	361/684
---------	---------	----------------------	---------

Primary Examiner—Cathy Anne MacCormac
Attorney, Agent, or Firm—Flory L. Martin

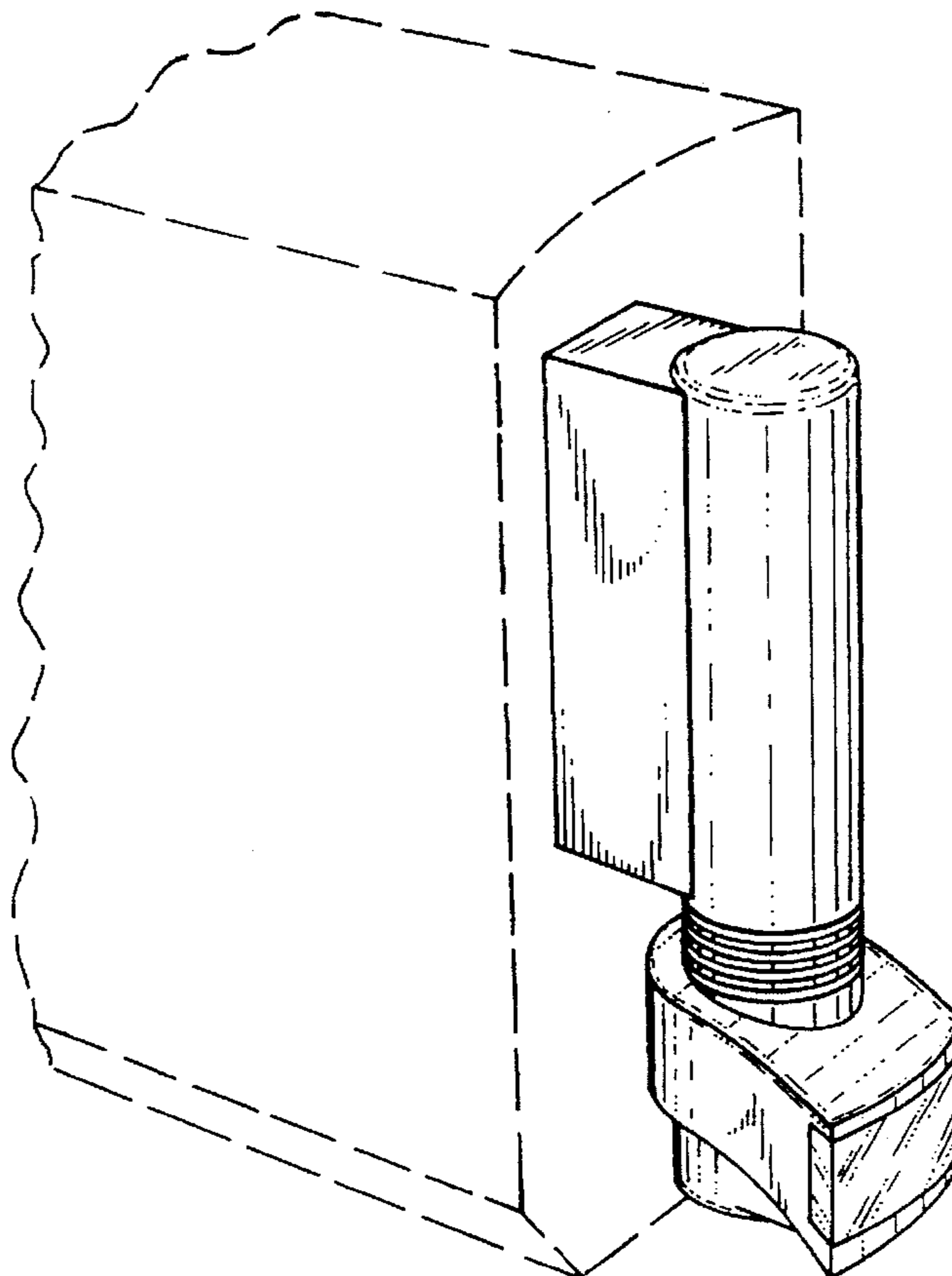
[57] **CLAIM**

The ornamental design for an infrared communication port for a portable inkjet printer, as shown and described.

DESCRIPTION

FIG. 1 is a perspective view of an infrared communication port for a portable inkjet printer showing our new design; FIG. 2 is a left side elevational view thereof; FIG. 3 is a front elevational view thereof; FIG. 4 is a right side elevational view thereof; FIG. 5 is a rear elevational view thereof; FIG. 6 is a top plan view thereof; and, FIG. 7 is a bottom plan view thereof. The broken lines in FIGS. 1 and 2 are for purposes of illustration only and form no part of the claimed design.

1 Claim, 3 Drawing Sheets



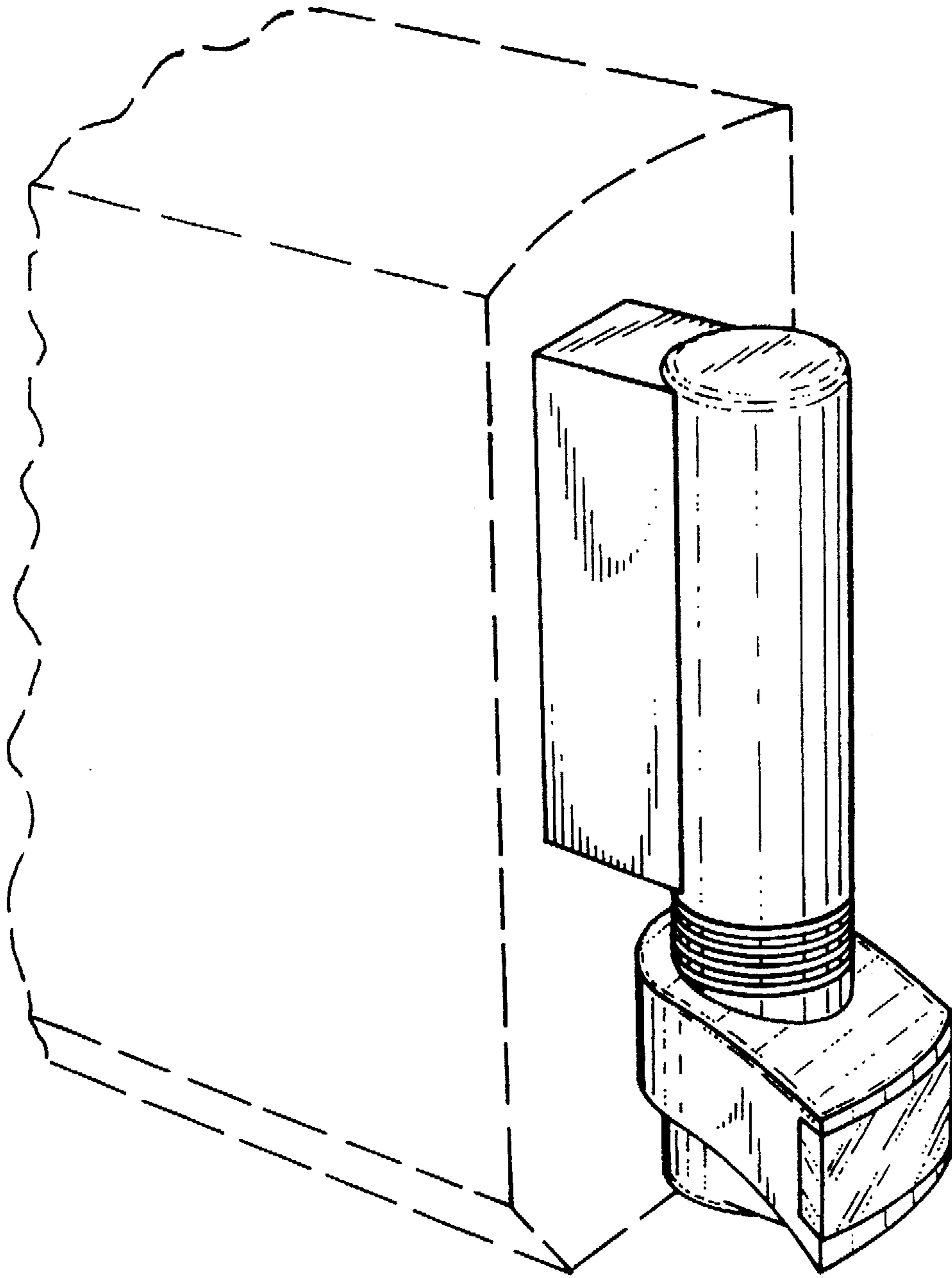


FIG. 1

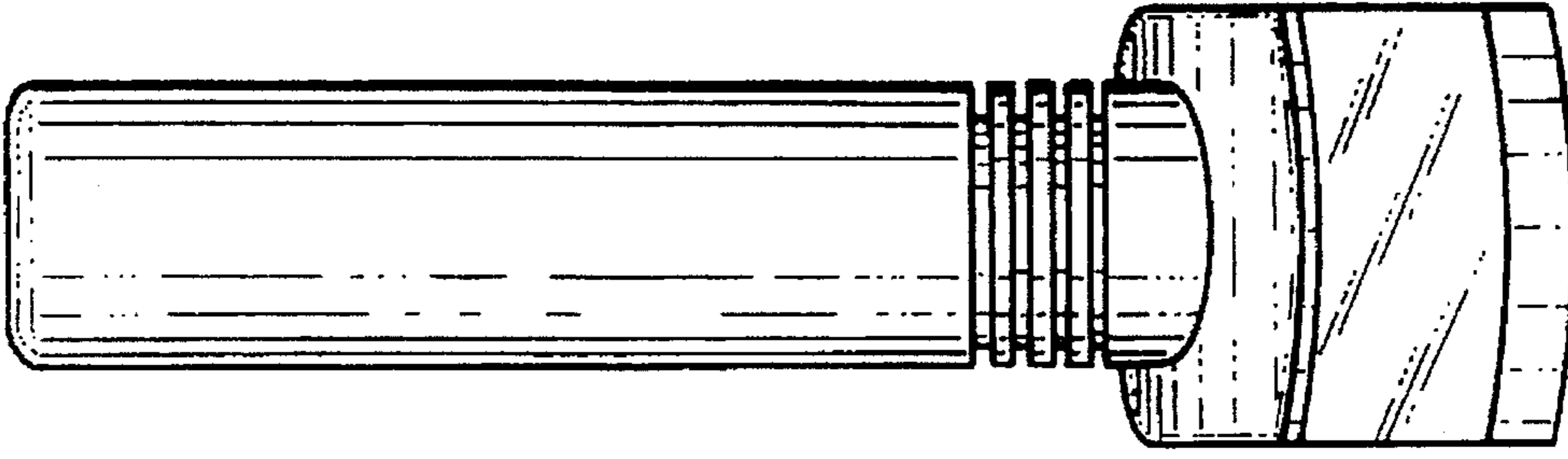


FIG. 4

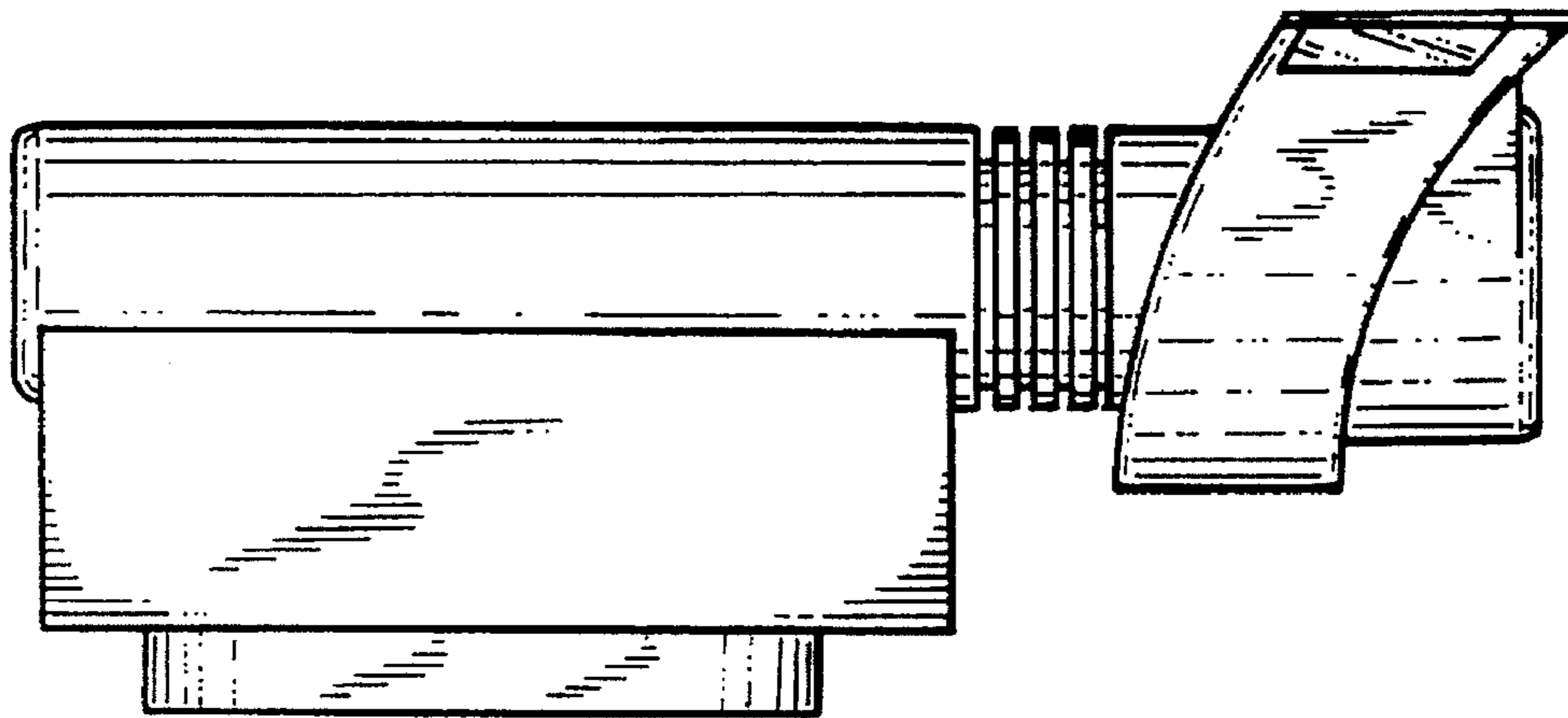


FIG. 3

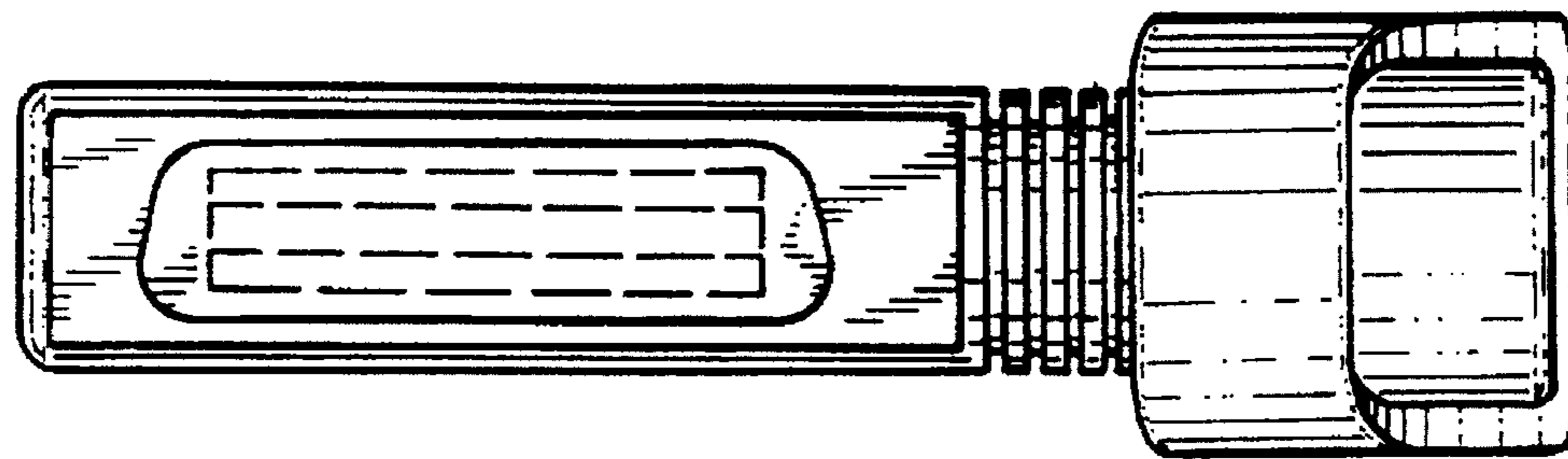


FIG. 2

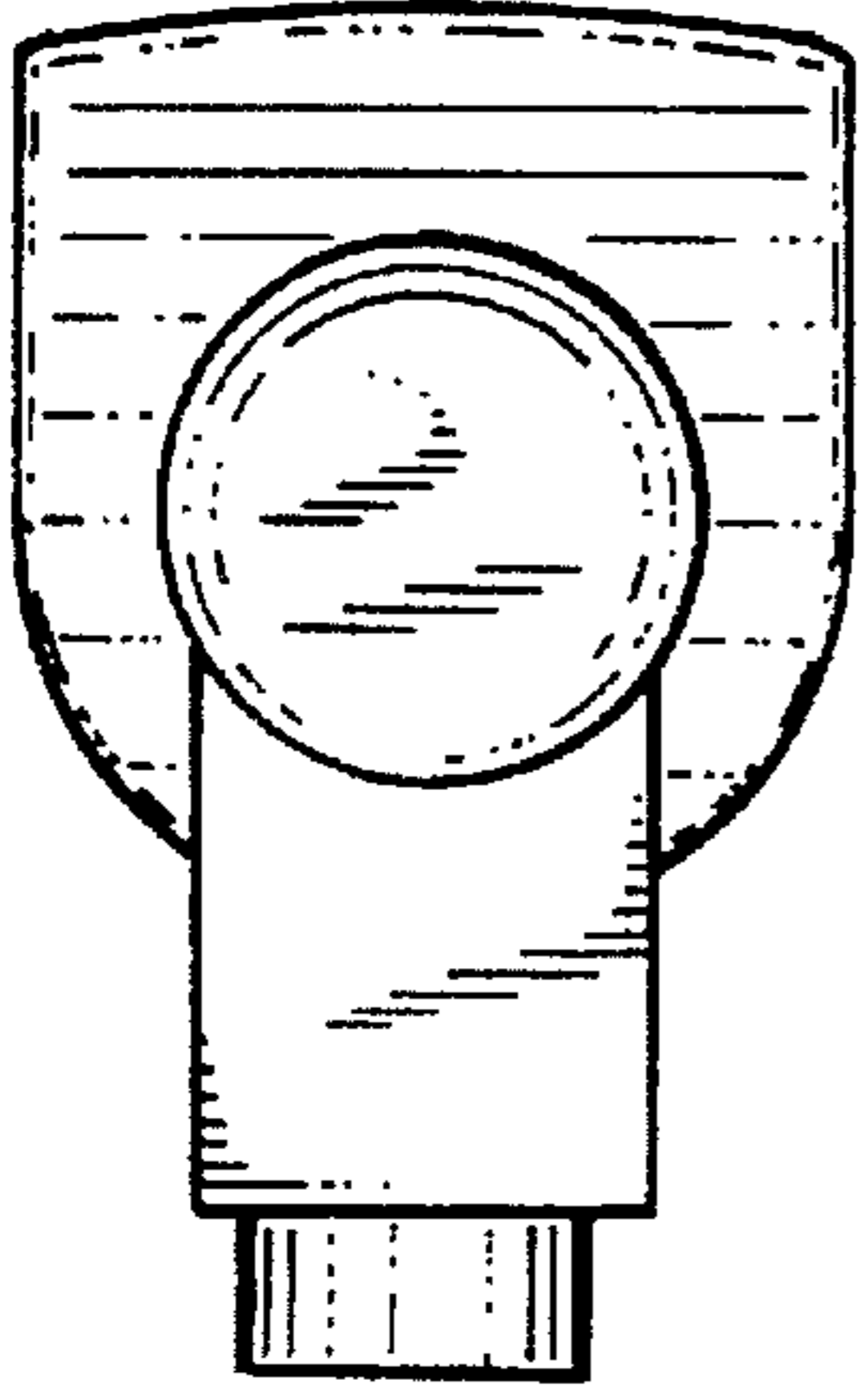


FIG. 6

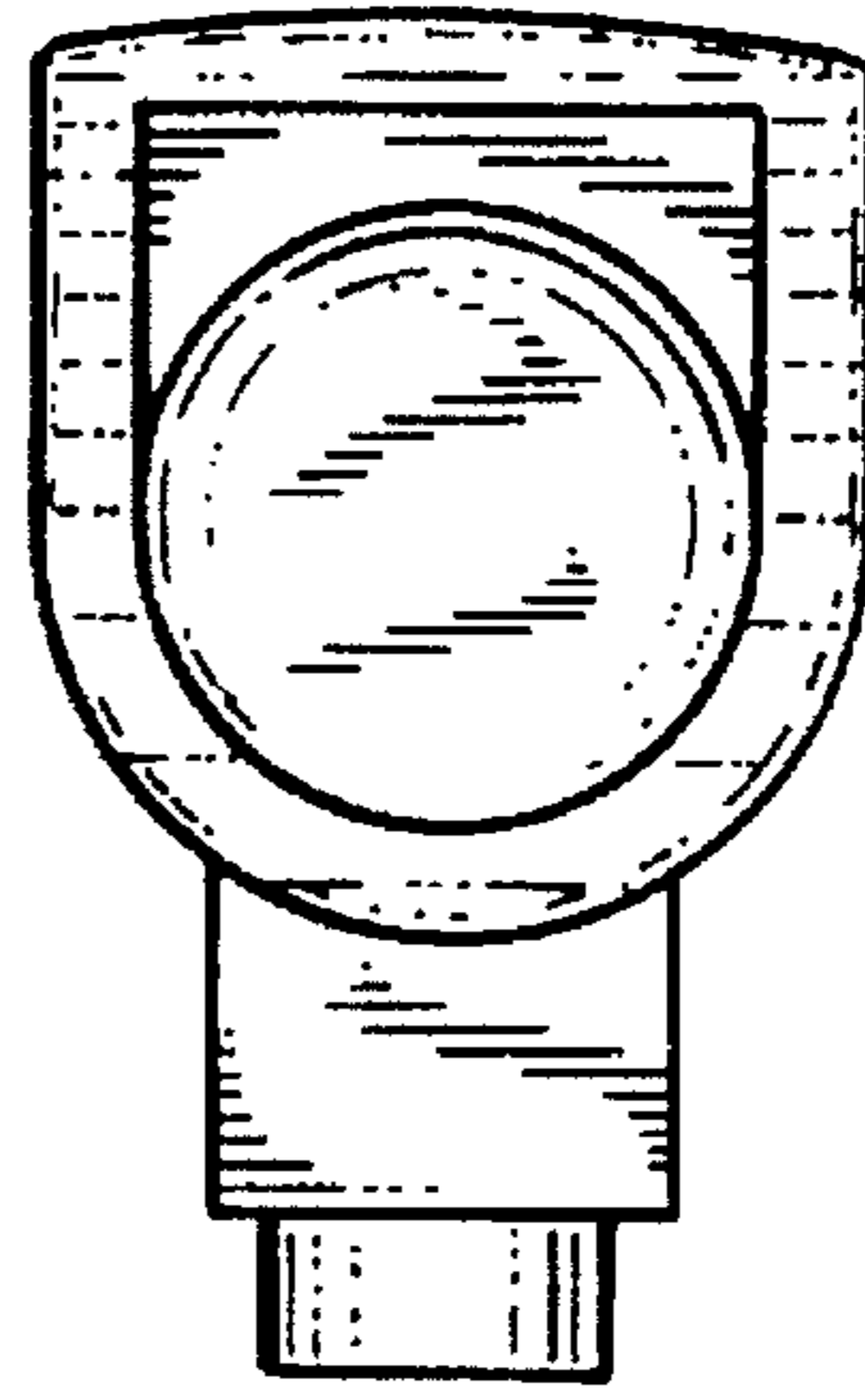


FIG. 7

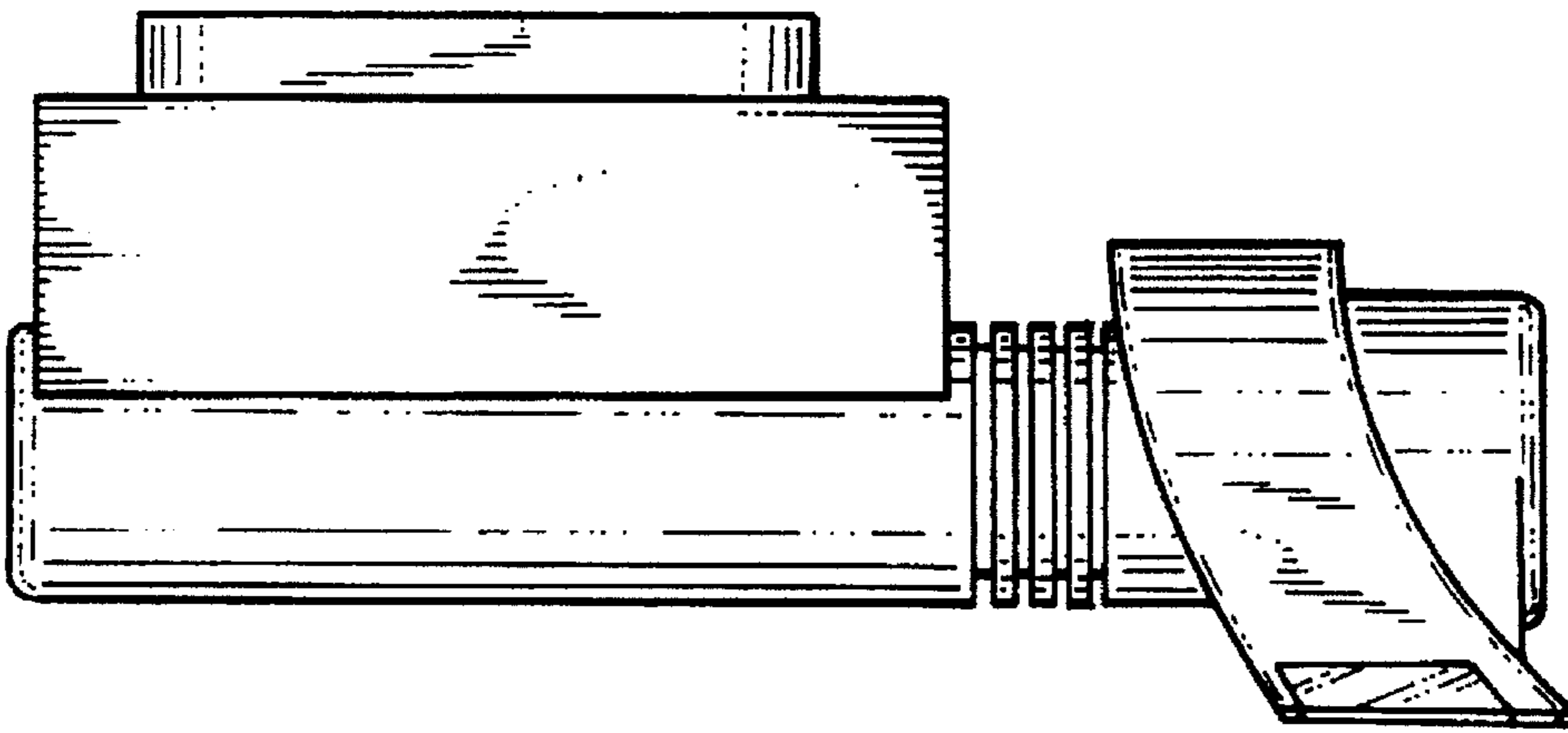


FIG. 5