



US00D382293S

United States Patent [19]
Rocco

[11] **Patent Number: Des. 382,293**
[45] **Date of Patent: **Aug. 12, 1997**

[54] **TEMPLE FOR SPECTACLES**
[76] **Inventor: Oscar Rocco, Via Montello, 3 - 30033 Noale (Venezia), Italy**
[**] **Term: 14 Years**
[21] **Appl. No.: 52,482**
[22] **Filed: Apr. 1, 1996**
[30] **Foreign Application Priority Data**
Oct. 2, 1995 [CH] Switzerland DM/034304
[51] **LOC (6) Cl. 16-06**
[52] **U.S. Cl. D16/335**
[58] **Field of Search D16/300, 306, D16/312-330, 335-338; 351/41, 44, 51, 52, 83, 90, 103, 111, 113, 114, 118, 119, 121, 122, 157, 158**

5,533,233 7/1996 Wagner et al. 351/113

Primary Examiner—Raphael Barkai
Attorney, Agent, or Firm—Fitzpatrick, Cella, Harper & Scinto

[57] **CLAIM**

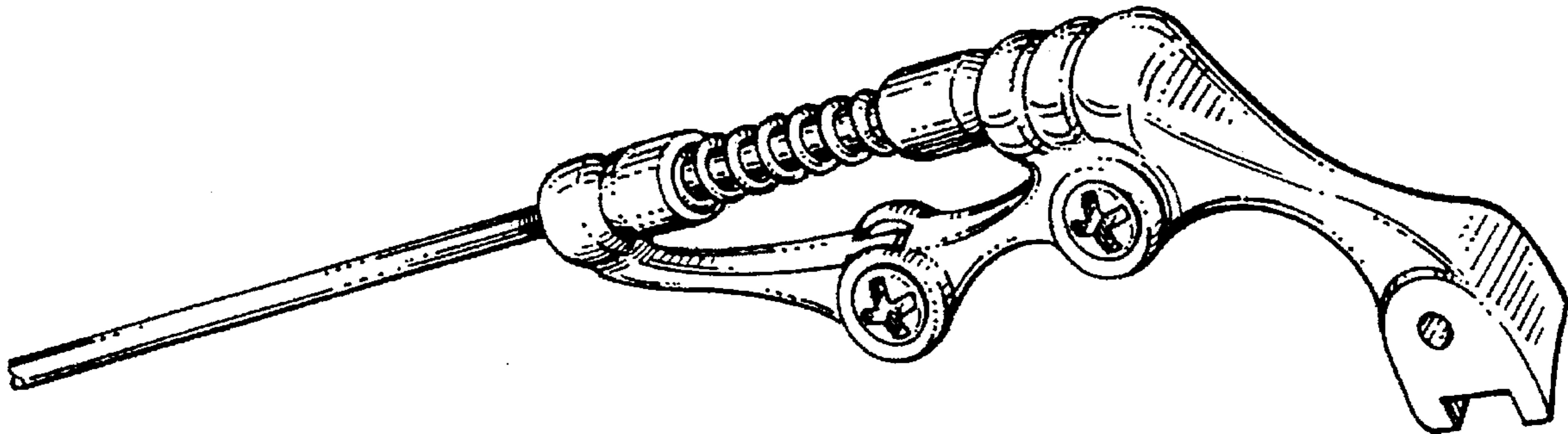
The ornamental design for a temple for spectacles, shown and described.

DESCRIPTION

FIG. 1 is a perspective view of a temple for spectacles showing the new design;
FIG. 2 is a top plan view of the device of FIG. 1;
FIG. 3 is an outer side elevational view of the device of FIG. 1;
FIG. 4 is a bottom plan view of the device of FIG. 1;
FIG. 5 is a an inner side elevational view of the device of FIG. 1;
FIG. 6 is a elevational view from the right side of the device of FIG. 1; and,
FIG. 7 is a elevational view from the left side of the device of FIG. 1.
The broken line showing of the lens in FIGS. 2, 3, 6 and 7 is for illustrative purposes only and forms no part of the claimed design.

[56] **References Cited**
U.S. PATENT DOCUMENTS
D. 129,912 10/1941 Uhlemann D16/335
D. 178,154 6/1956 Stegeman D16/335
D. 253,597 12/1979 Solomon D16/335
D. 321,524 11/1991 Nakamura D16/335
4,991,258 2/1991 Drlík 351/113
5,532,767 7/1996 Pleune et al. 351/118

1 Claim, 2 Drawing Sheets



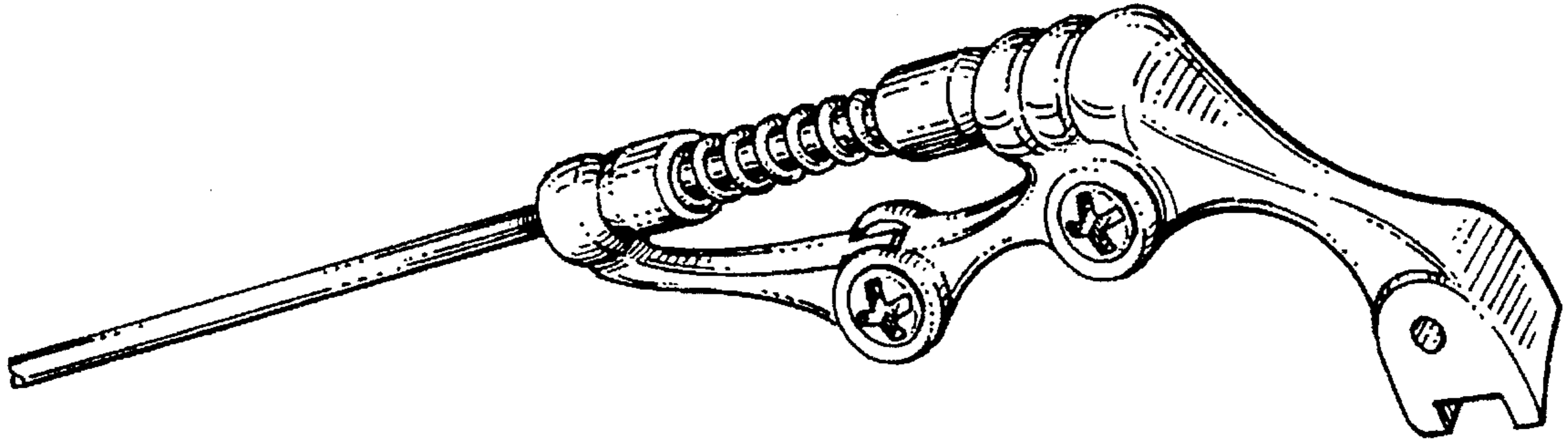


FIG.1

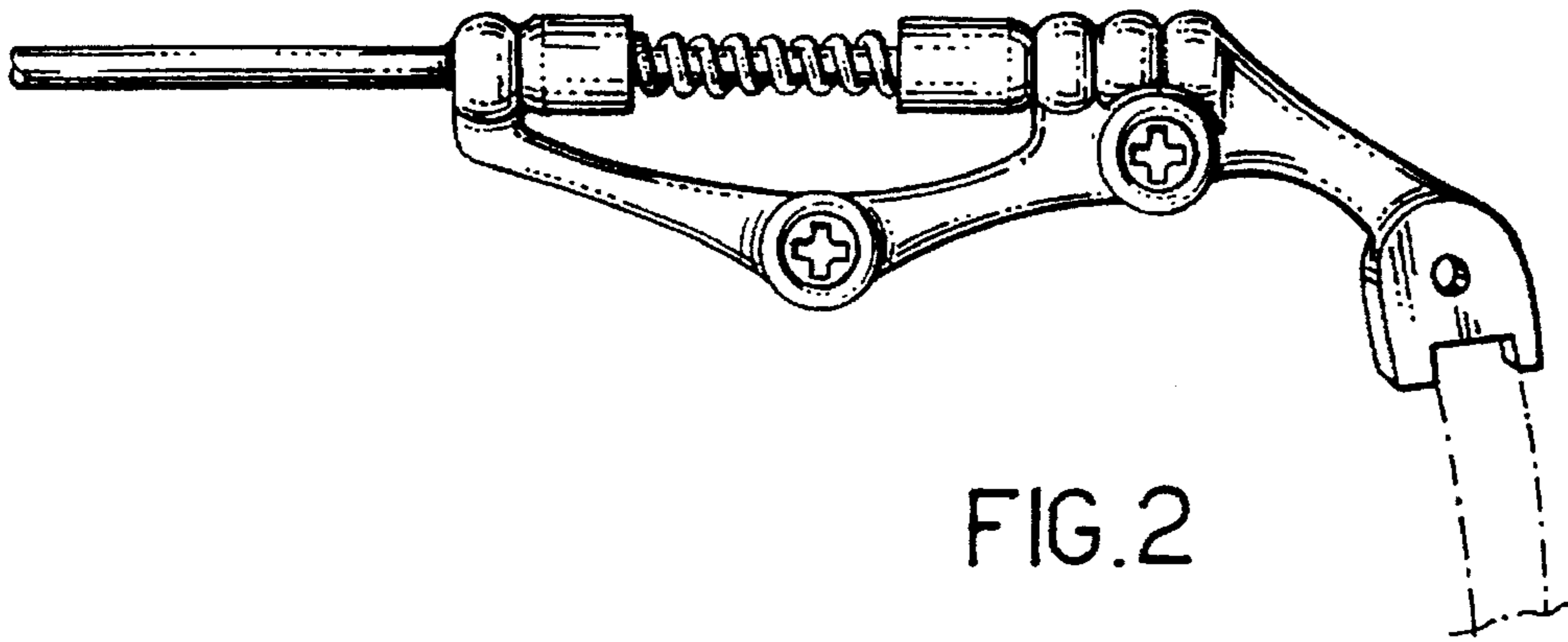


FIG.2

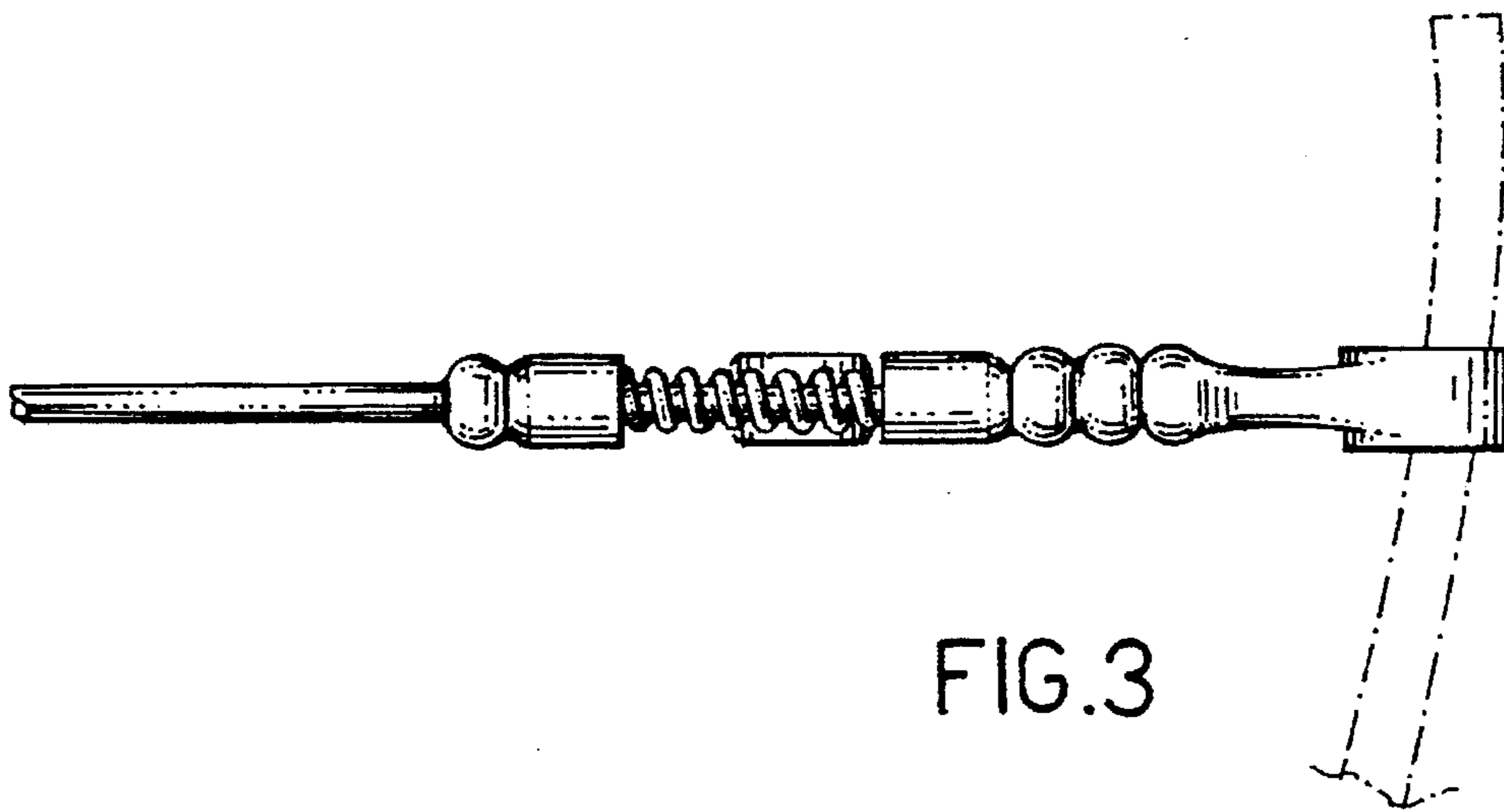


FIG.3

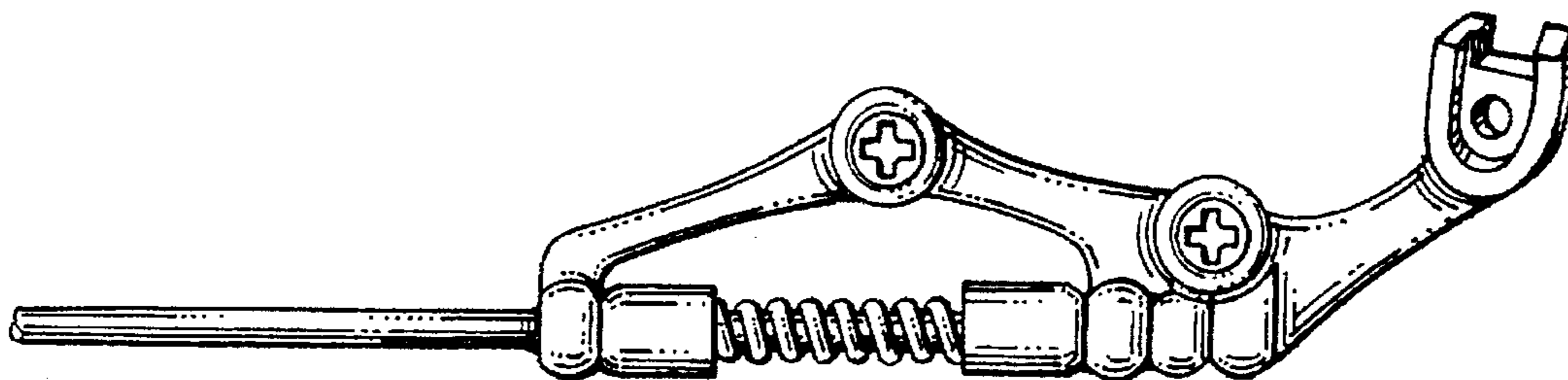


FIG. 4

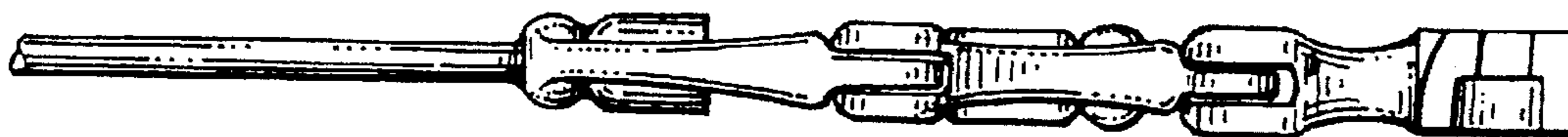


FIG. 5

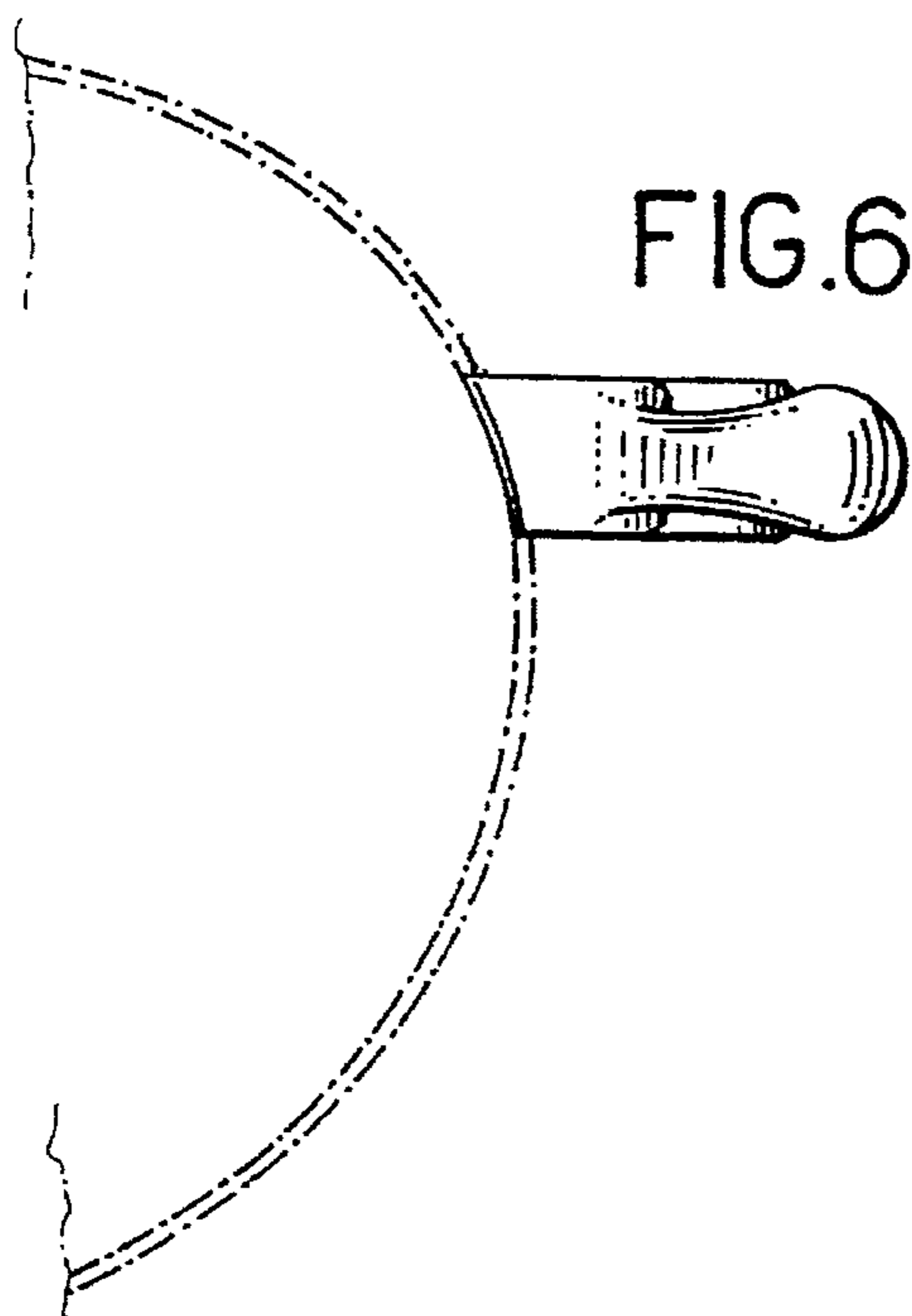


FIG. 6

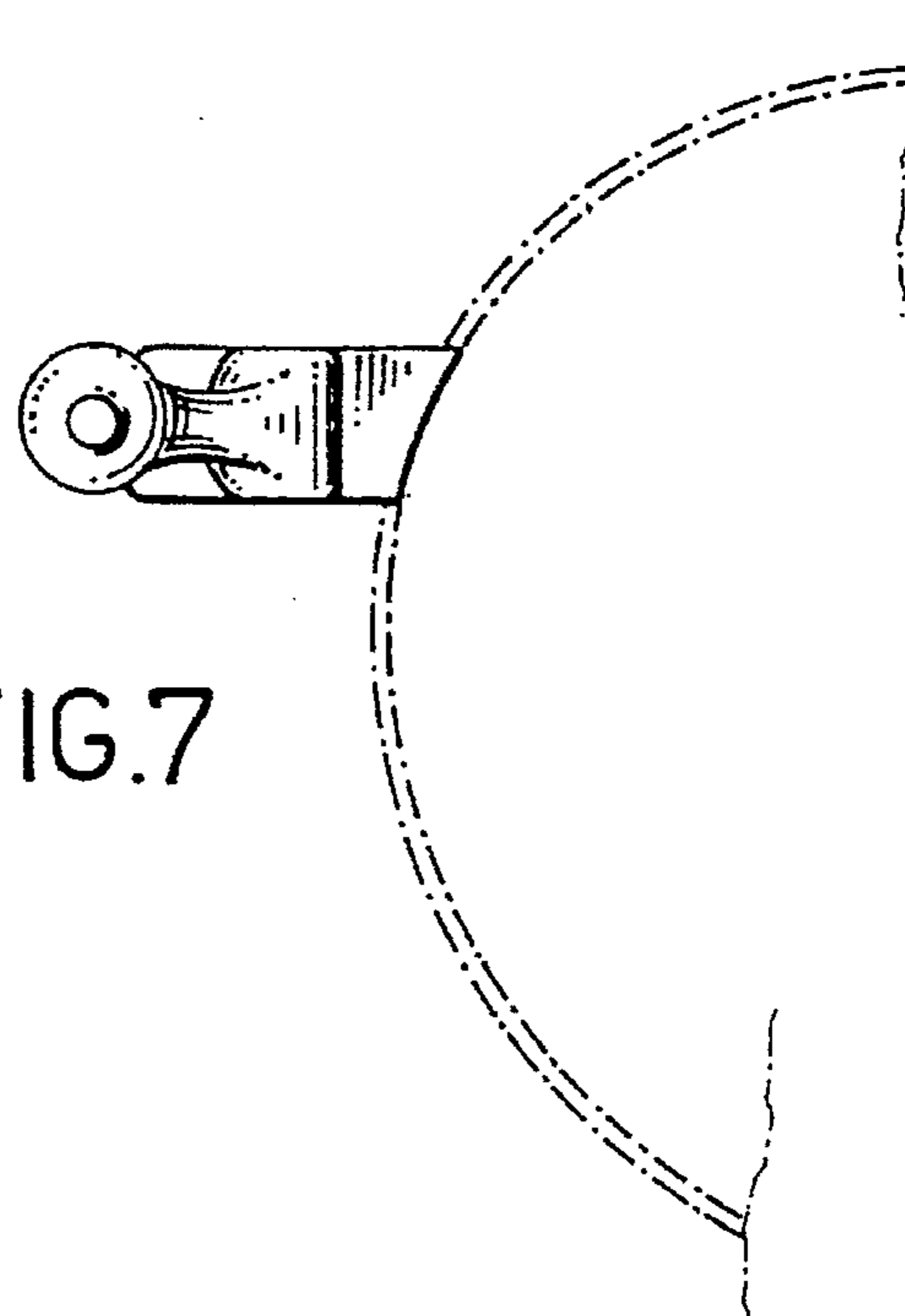


FIG. 7

UNITED STATES PATENT AND TRADEMARK OFFICE
CERTIFICATE OF CORRECTION

PATENT NO. : DES. 382,293

DATED : AUGUST 12, 1997

INVENTOR(S) : OSCAR ROCCO

It is certified that error appears in the above-identified patent and that said Letters Patent is hereby corrected as shown below:

Title page, item
[73] Assignee

Insert: -- DE RIGO S.p.A.
Limana (Belluno), Italy --

Signed and Sealed this
Second Day of June, 1998

Attest:



BRUCE LEHMAN

Attesting Officer

Commissioner of Patents and Trademarks