



US00D382288S

United States Patent [19]

[11] Patent Number: **Des. 382,288**

Usui

[45] Date of Patent: ****Aug. 12, 1997**

[54] **TILTING PAN HEAD FOR CAMERA**

D. 366,887 2/1996 Wood D16/245
4,955,568 9/1990 O'Connor et al. 248/183.1

[75] Inventor: **Hisaichi Usui**, Tama, Japan

Primary Examiner—Philip S. Hyder
Assistant Examiner—Adir Aronovich
Attorney, Agent, or Firm—Lackebach Siegel Marzullo
Aronson & Greenspan, PC

[73] Assignee: **Hakuba Shashin Sangyo Kabushiki Kaisha**, Tokyo, Japan

[**] Term: **14 Years**

[57] CLAIM

[21] Appl. No.: **49,499**

The ornamental design for my tilting pan head for camera, as shown.

[22] Filed: **Jan. 26, 1996**

DESCRIPTION

[51] LOC (6) Cl. **16-05**

[52] U.S. Cl. **D16/245**

[58] Field of Search D16/237, 242-245;
248/177.1, 178.1, 179.1, 180.1, 183.1, 183.2,
183.3, 183.4, 184.1, 185.1; 354/293

FIG. 1 is a perspective view of my tilting pan head for camera;
FIG. 2 is a top plan view thereof;
FIG. 3 is a left side elevational view thereof;
FIG. 4 is a front elevational view thereof;
FIG. 5 is a right side elevational view thereof;
FIG. 6 is a rear elevational view thereof;
FIG. 7 is a bottom view thereof; and,
FIG. 8 is a perspective view showing the upper pan at ninety degrees.

[56] References Cited

U.S. PATENT DOCUMENTS

- D. 245,988 10/1977 Miller D16/245
- D. 246,528 11/1977 Miller D16/245
- D. 289,899 5/1987 Iwasaki D16/245
- D. 292,982 12/1987 Nakatani D16/245

1 Claim, 4 Drawing Sheets

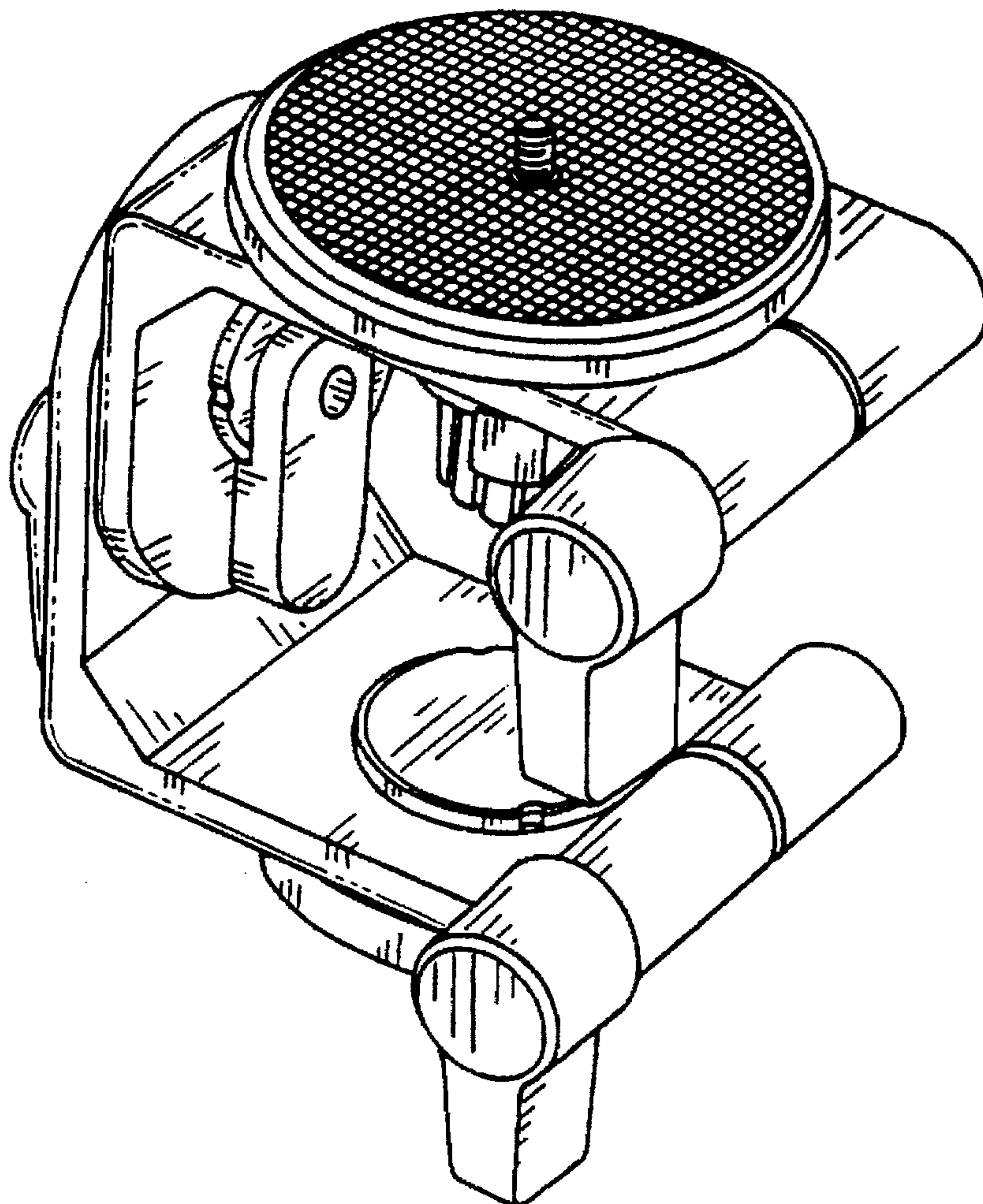


FIG. 1

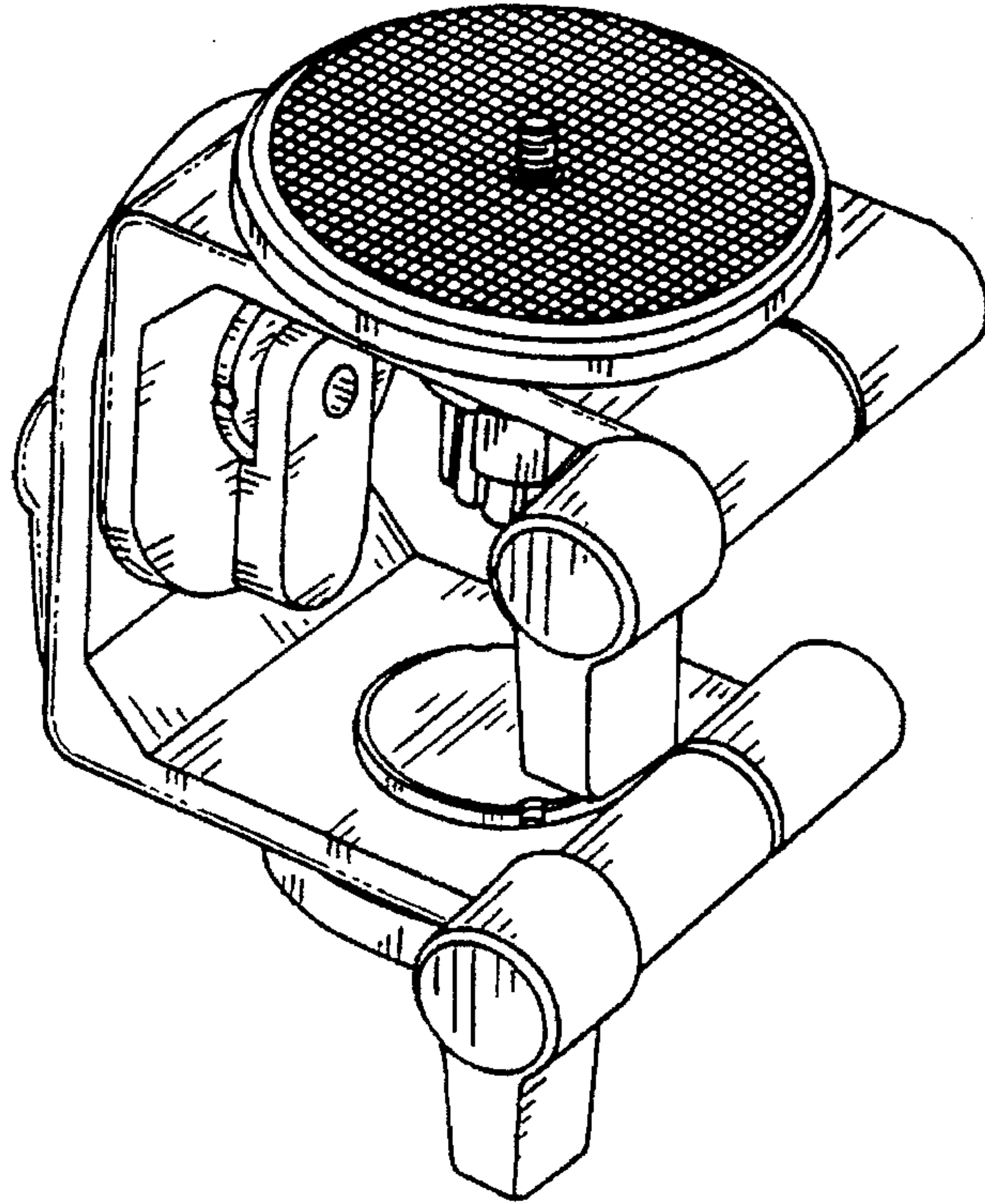


FIG. 2

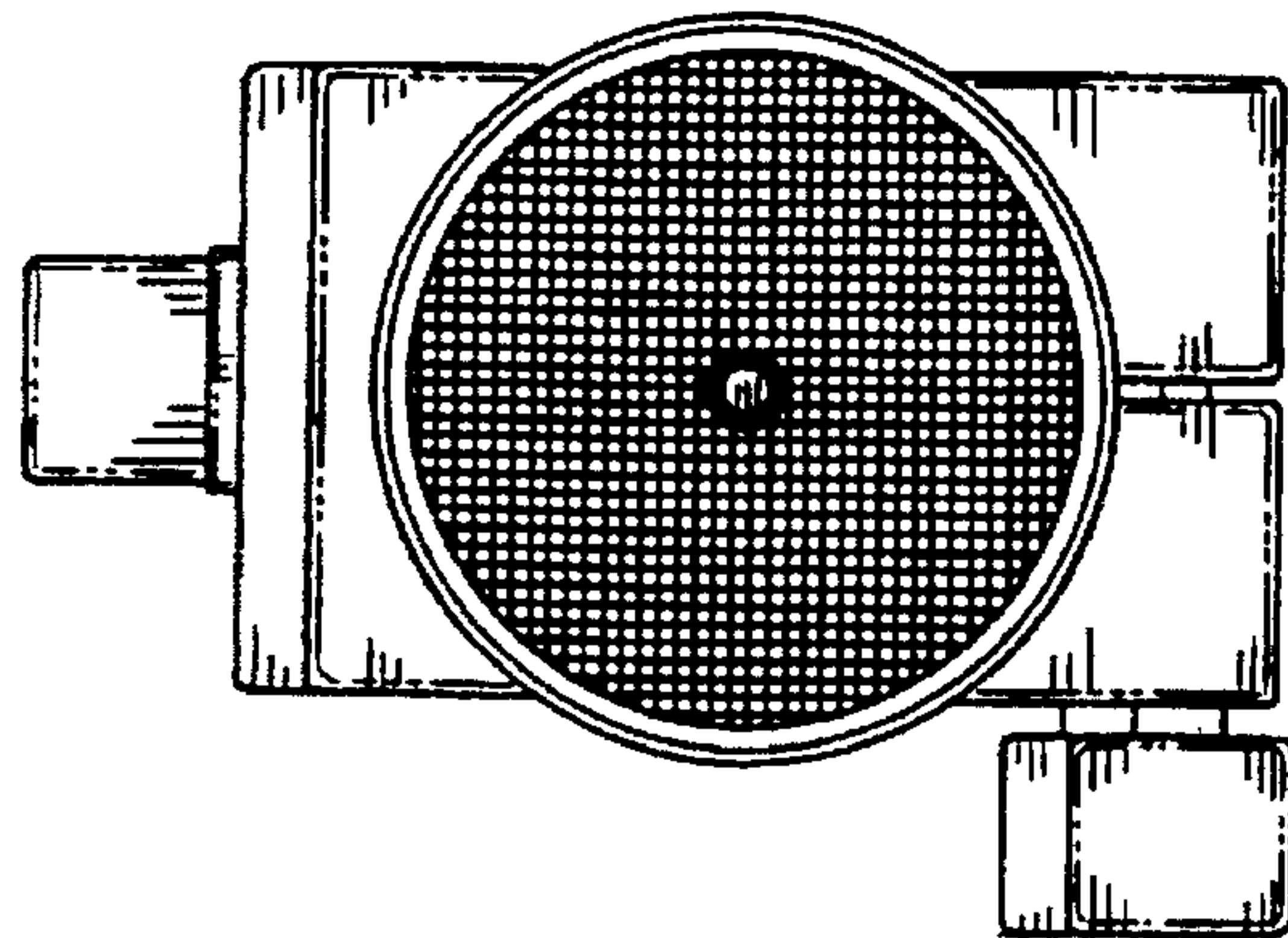


FIG.3

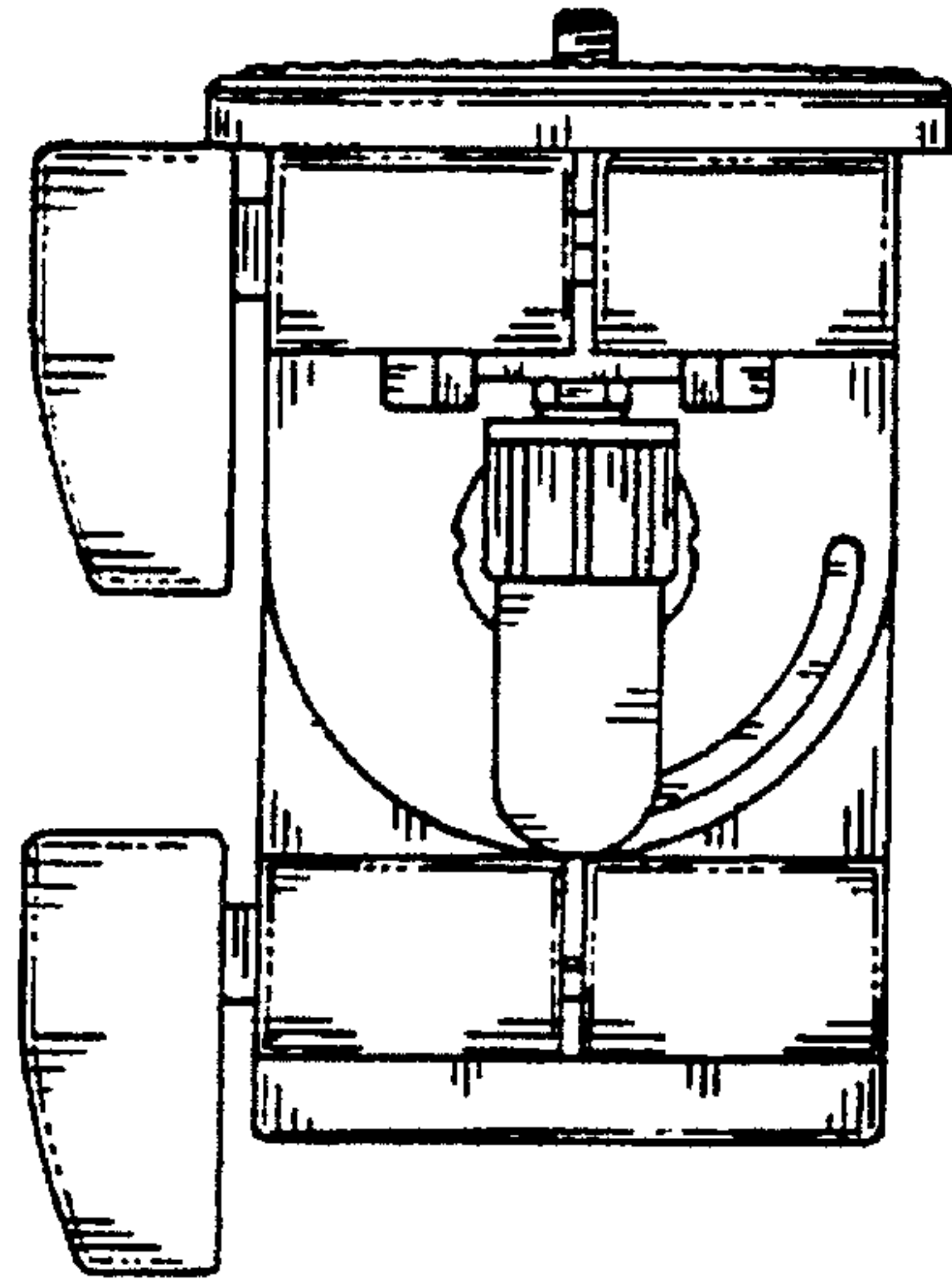


FIG.4

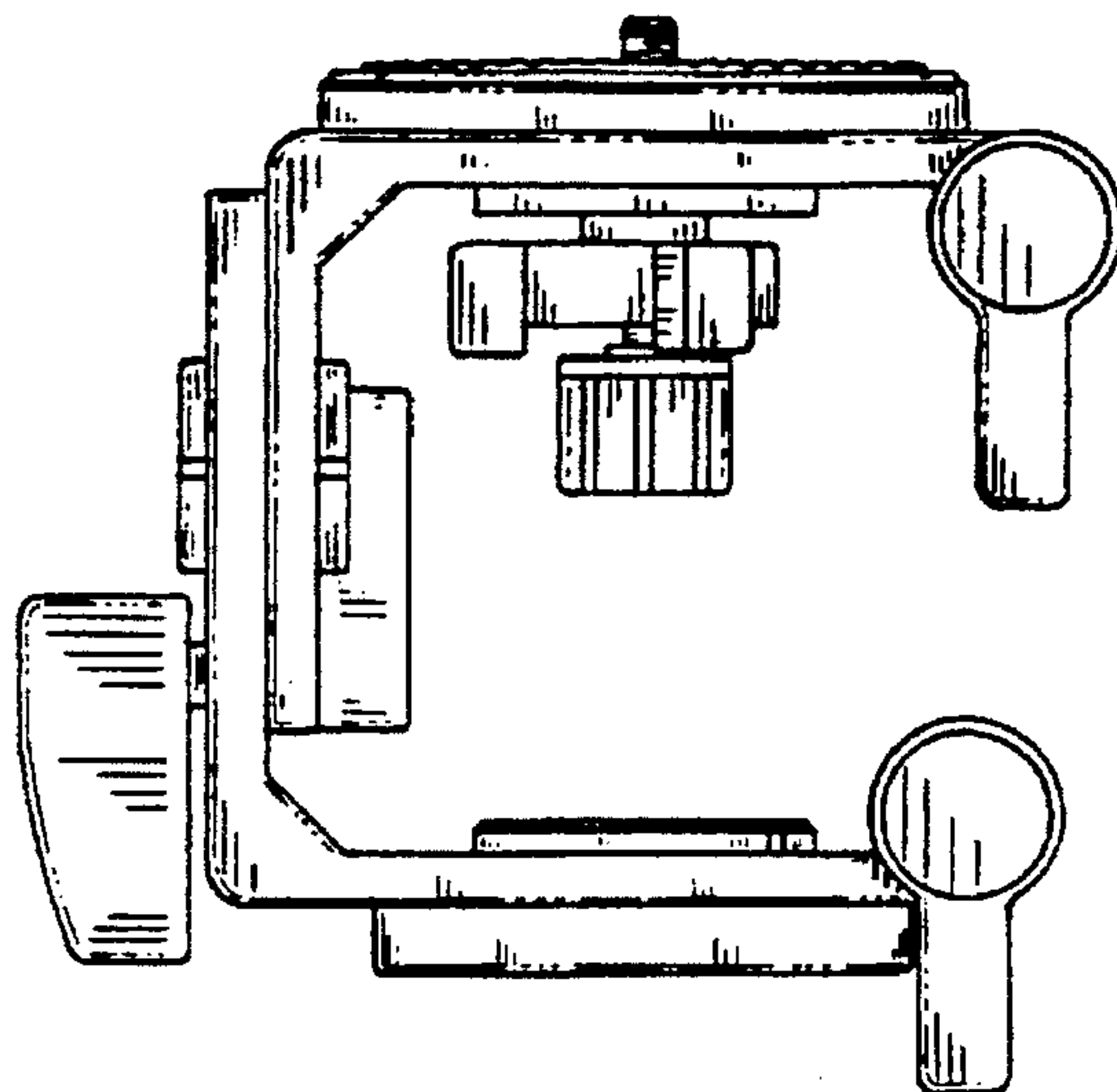


FIG.5

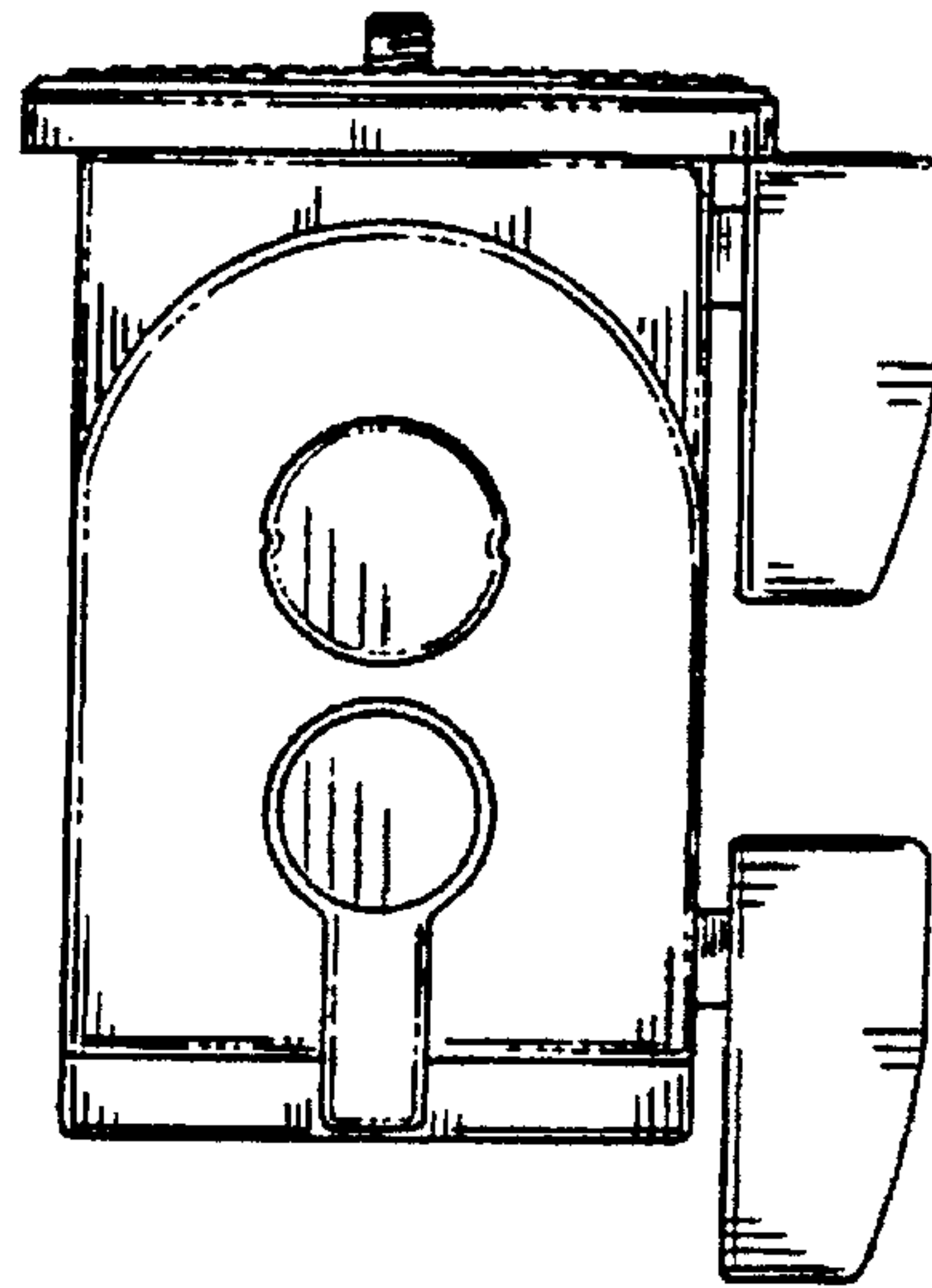


FIG.6

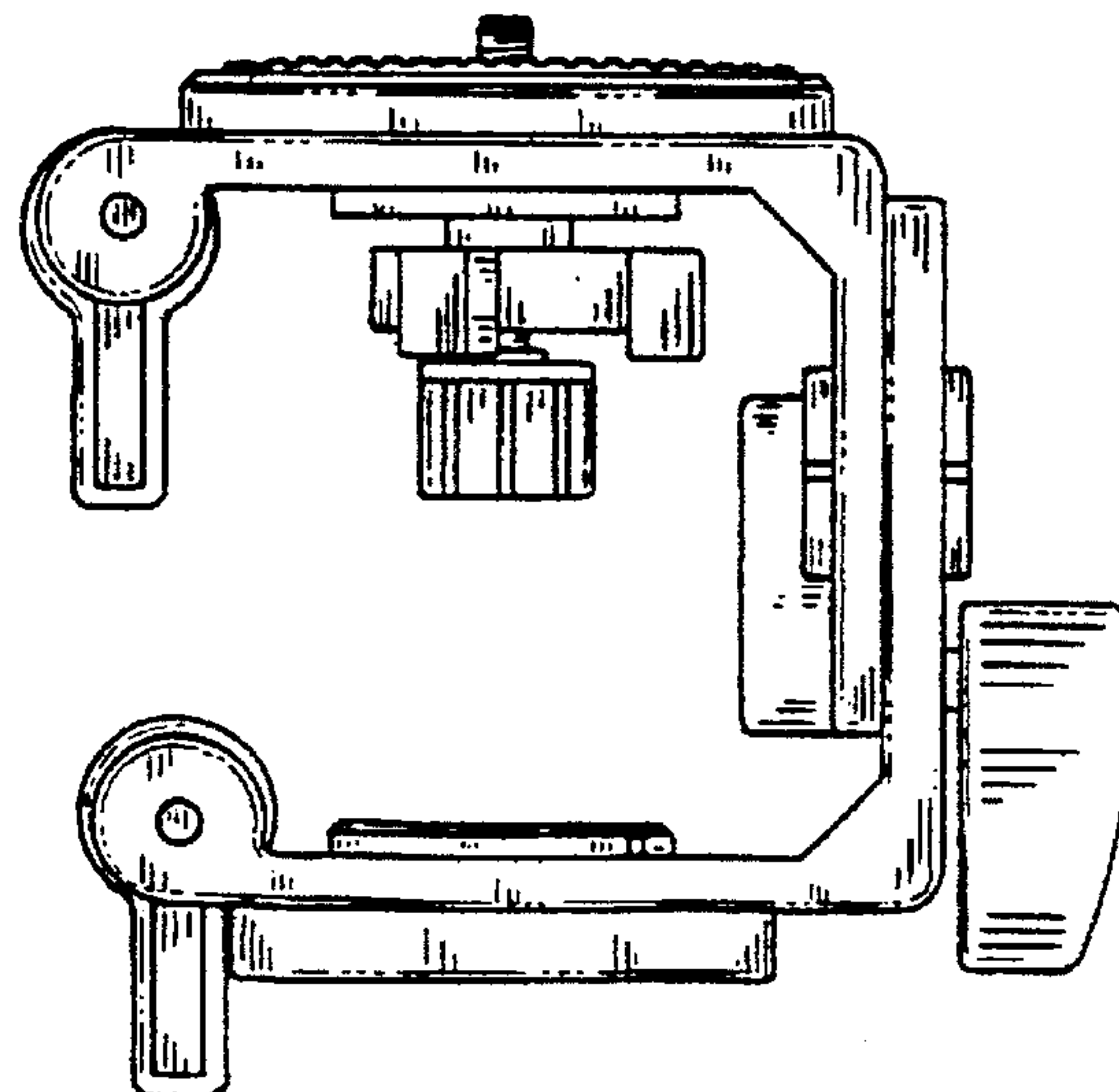


FIG.7

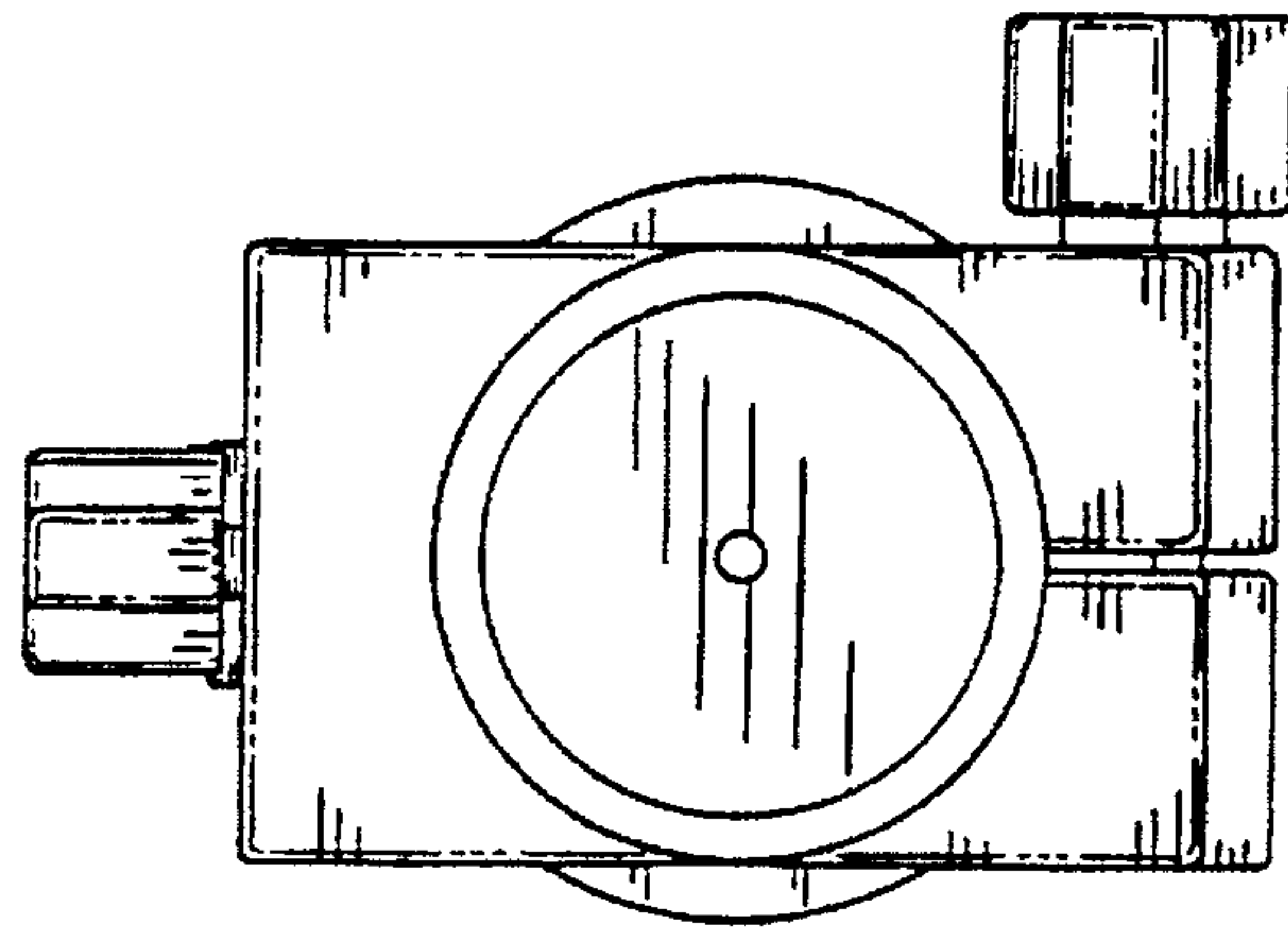


FIG.8

