



US00D382287S

United States Patent [19]
Palmer

[11] **Patent Number: Des. 382,287**
[45] **Date of Patent: **Aug. 12, 1997**

[54] **MOUNTING PLATE ASSEMBLY FOR CONNECTING A NIGHT VISION DEVICE TO A VIDEO CAMCORDER**

[75] **Inventor: Gary L. Palmer, Vinton, Va.**
[73] **Assignee: ITT Defense, Inc., McLean, Va.**
[**] **Term: 14 Years**

[21] **Appl. No.: 49,124**
[22] **Filed: Jan. 18, 1996**

[51] **LOC (6) Cl. 16-05**
[52] **U.S. Cl. D16/242; D16/237**
[58] **Field of Search D16/237, 242, D16/243; 224/265, 908; 248/187; 352/242, 243; 354/81, 82, 293, 295; H04N 5/225**

[56] **References Cited**

U.S. PATENT DOCUMENTS

| | | | |
|------------|---------|-------------------------|---------|
| D. 214,703 | 7/1969 | Kiven | D16/242 |
| D. 308,389 | 6/1990 | Horn et al. | D16/242 |
| D. 340,940 | 11/1993 | Ellenberger et al. | D16/242 |
| 5,119,203 | 6/1992 | Hosaka et al. | 354/82 |
| 5,197,702 | 3/1993 | Sasaki | 354/293 |
| 5,322,251 | 6/1994 | Schumer et al. | 248/187 |
| 5,444,507 | 8/1995 | Palmer | 354/82 |

FOREIGN PATENT DOCUMENTS

5-284403 10/1993 Japan H04N 5/225

Primary Examiner—Philip S. Hyder
Assistant Examiner—Adir Aronovich
Attorney, Agent, or Firm—Plevy & Associates

[57] **CLAIM**

The ornamental design for a mounting plate assembly for connecting a night vision device to a video camcorder, as shown and described.

DESCRIPTION

FIG. 1 is a front view of a mounting plate assembly for connecting a night vision device to a video camcorder showing my new design;
FIG. 2 is a rear elevational view thereof;
FIG. 3 is a top plan view thereof;
FIG. 4 is a bottom plan view thereof;
FIG. 5 is a left side view thereof, the right side view being a mirror image thereof;
FIG. 6 is a left side elevational view, the broken line showing of a camcorder is for illustrative purpose only and forms no part of the claimed design;
FIG. 7 is a top, front perspective view thereof; and,
FIG. 8 is an exploded perspective view thereof.

1 Claim, 5 Drawing Sheets

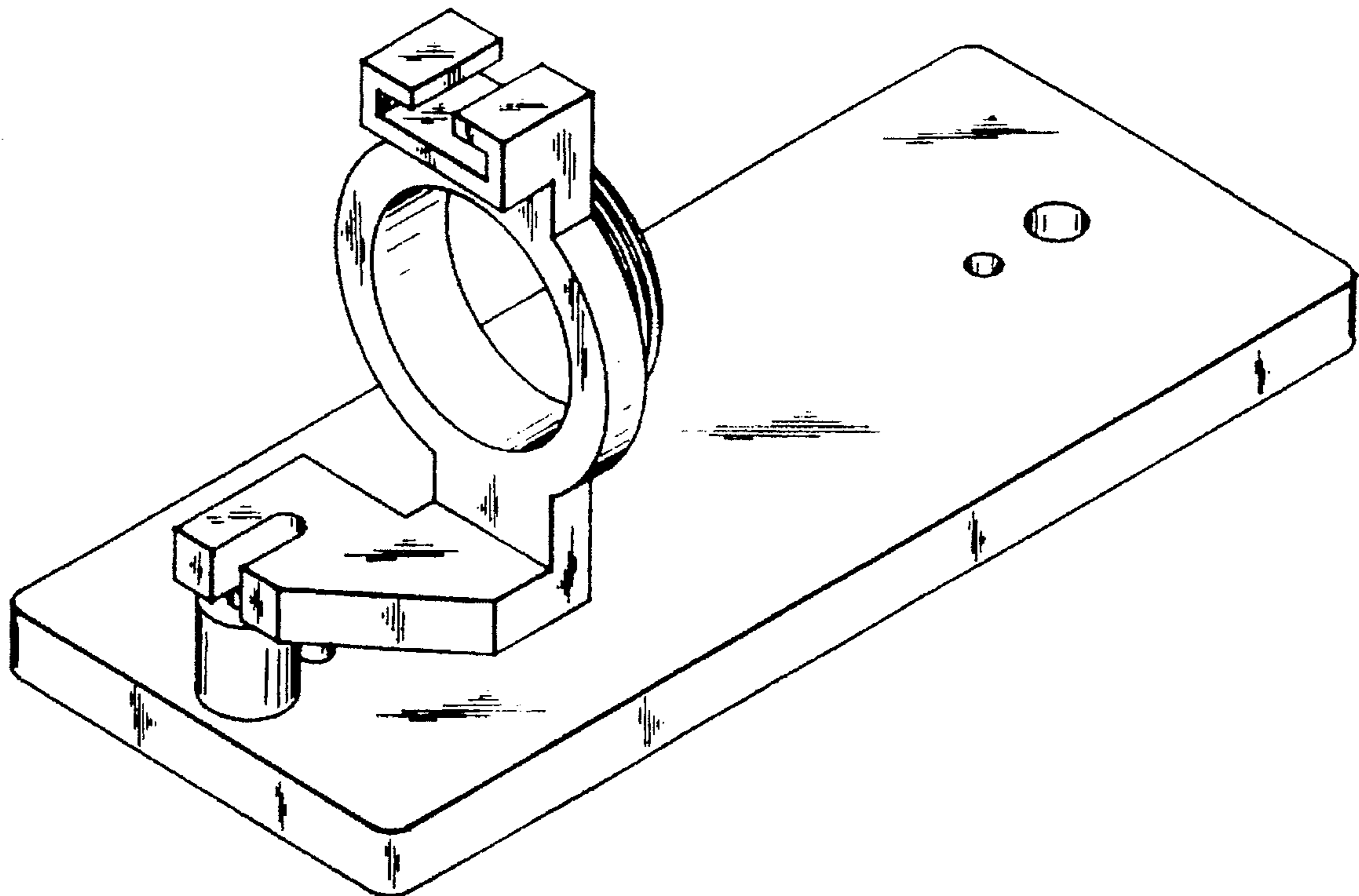


FIG. 1

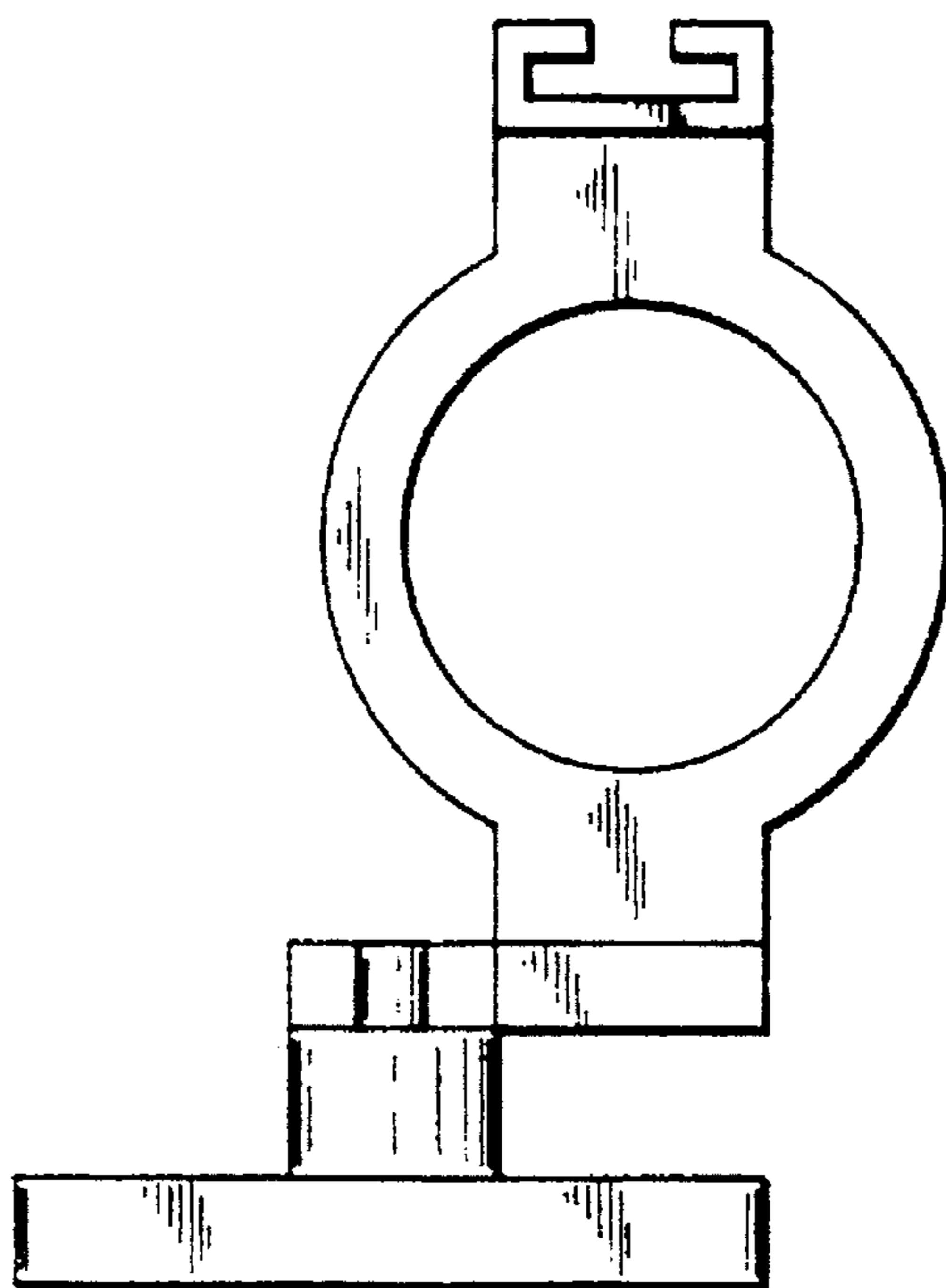


FIG. 2

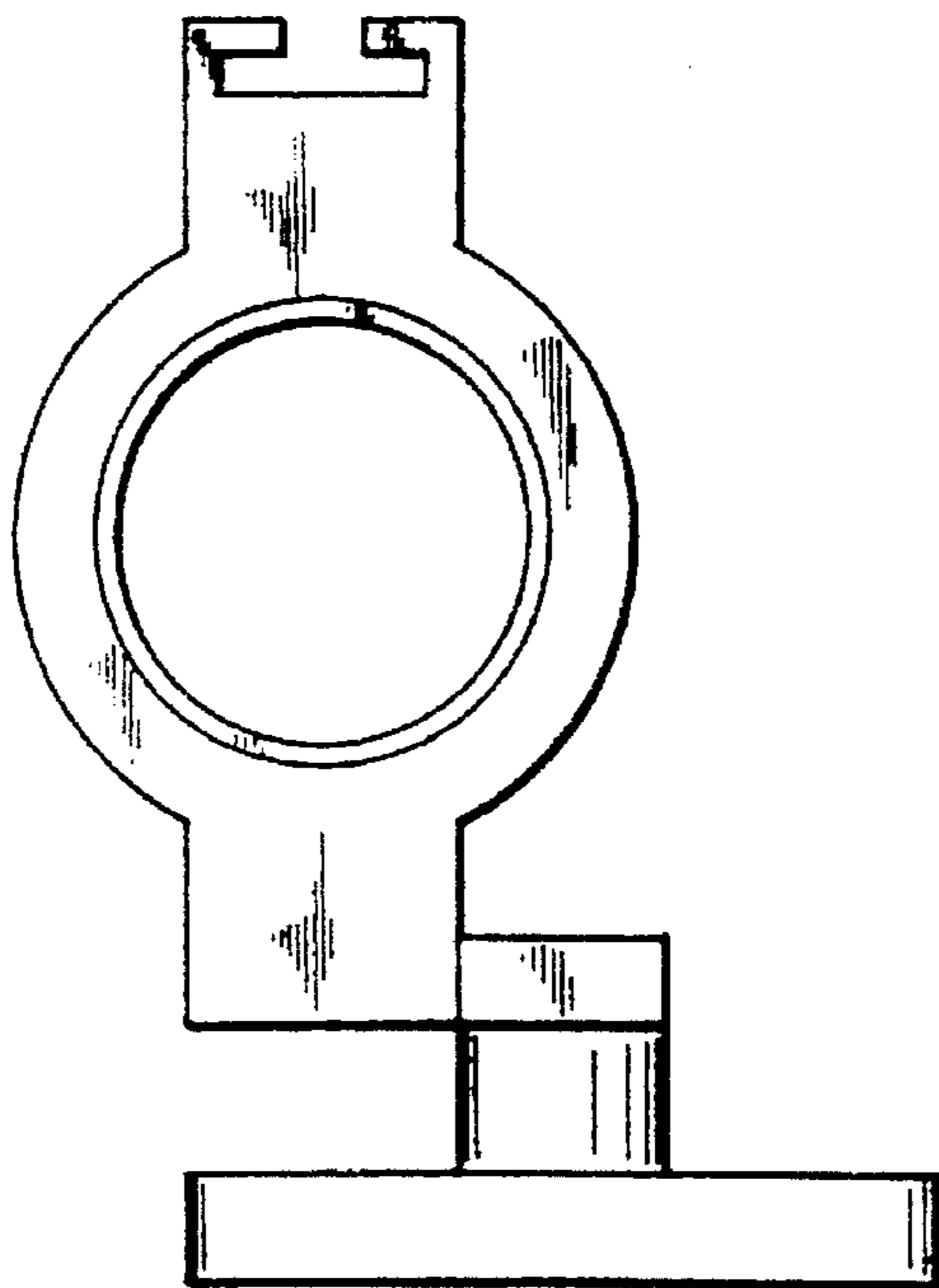


FIG. 3

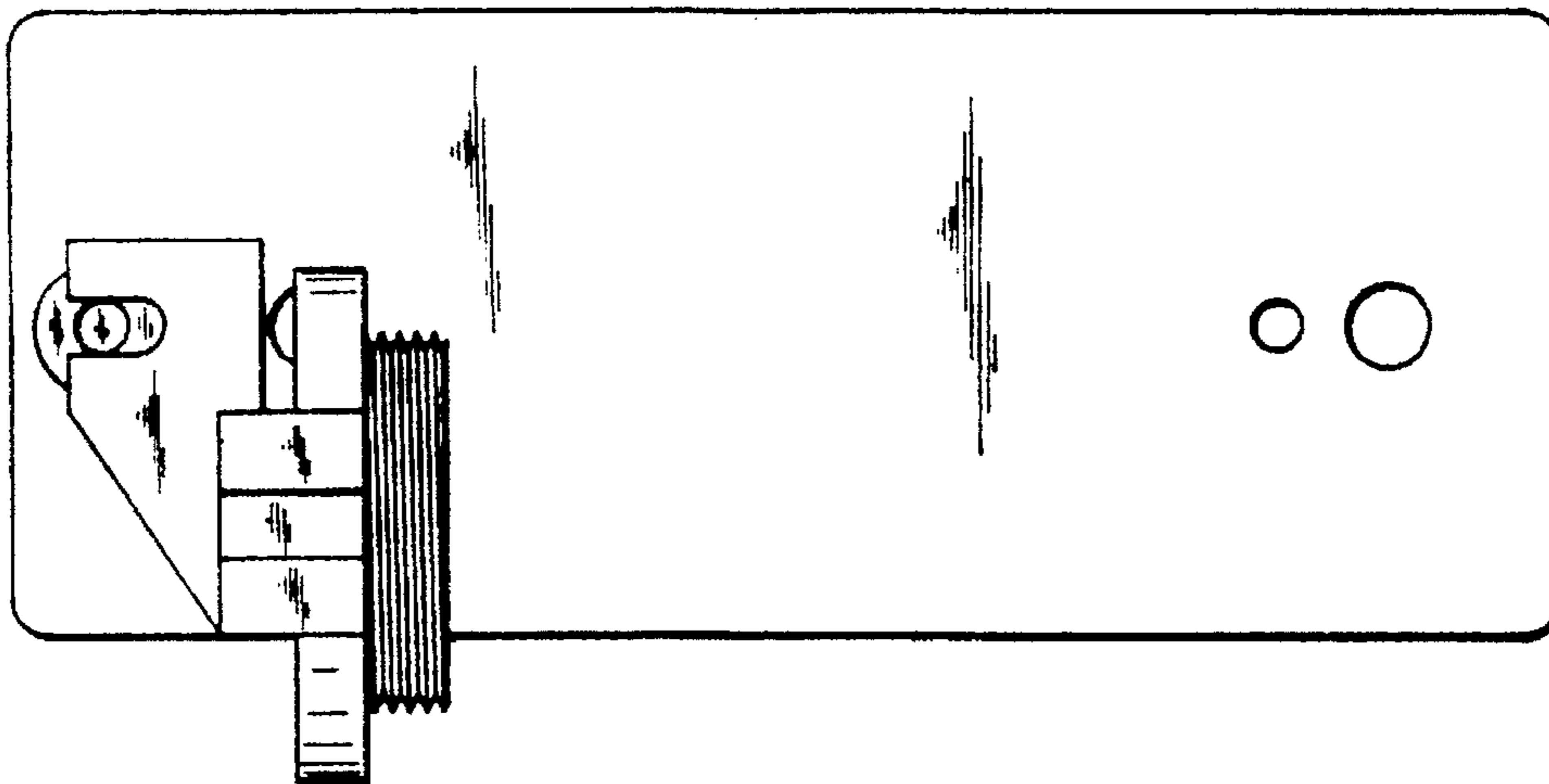


FIG. 4

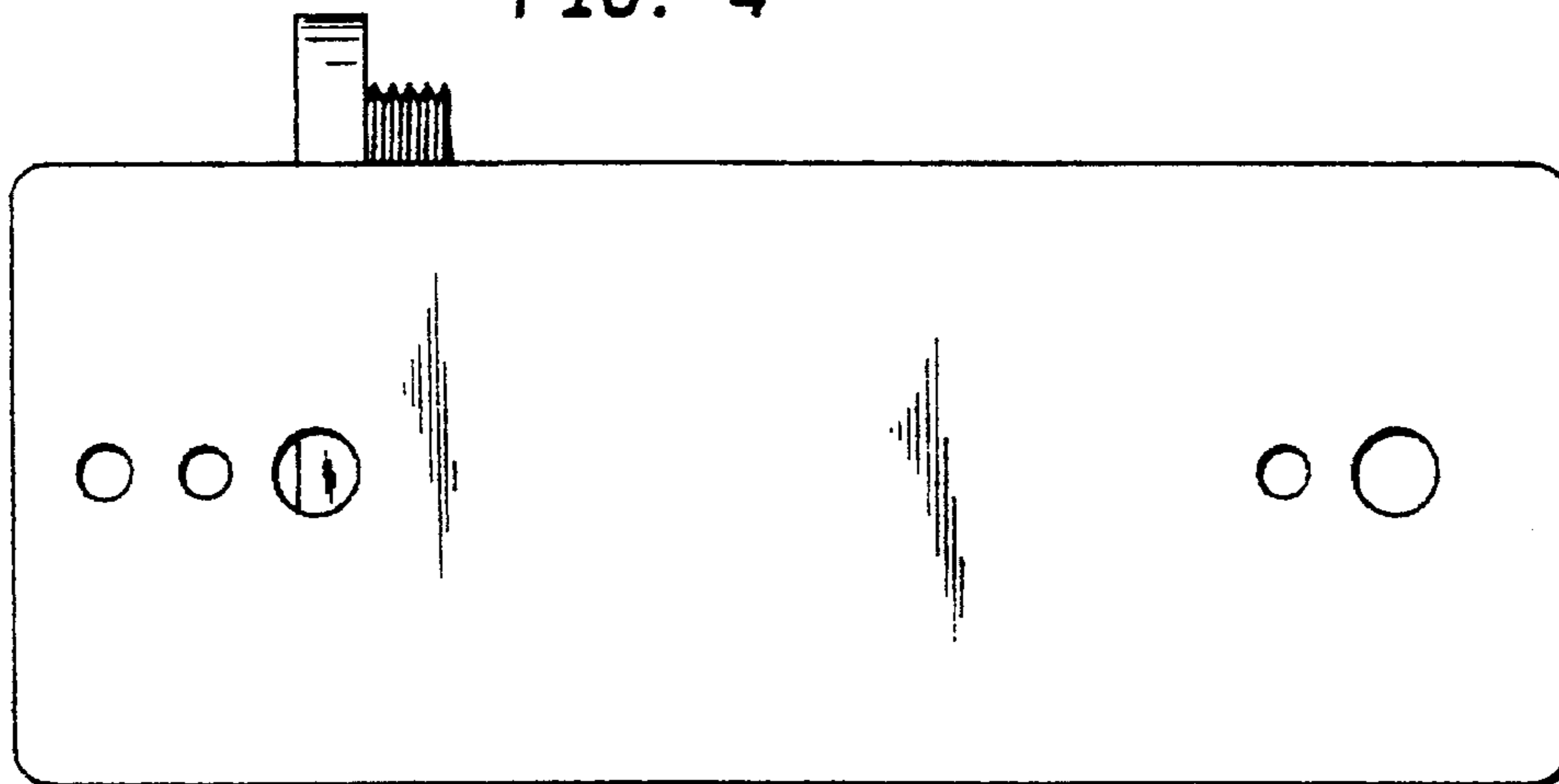
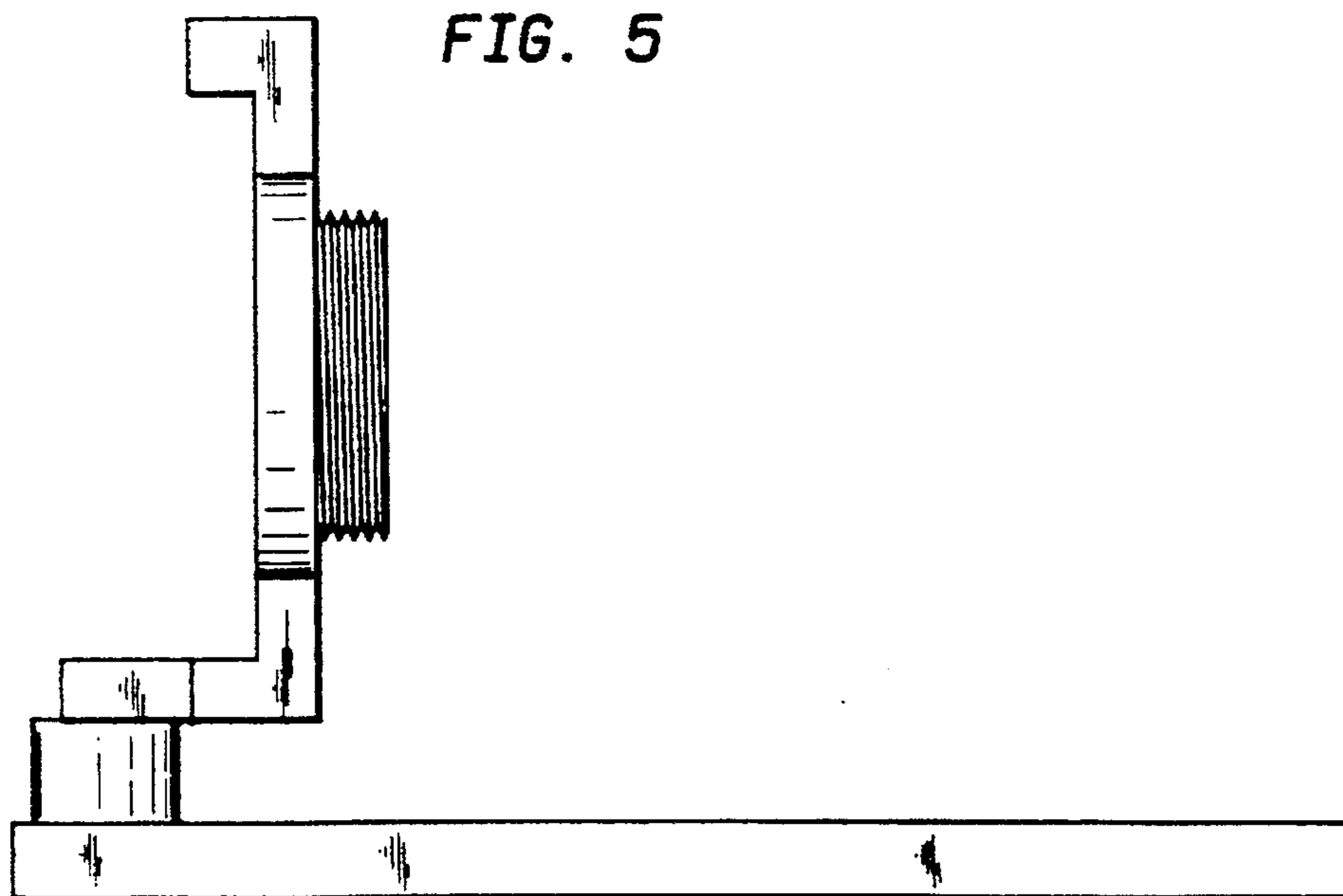


FIG. 5



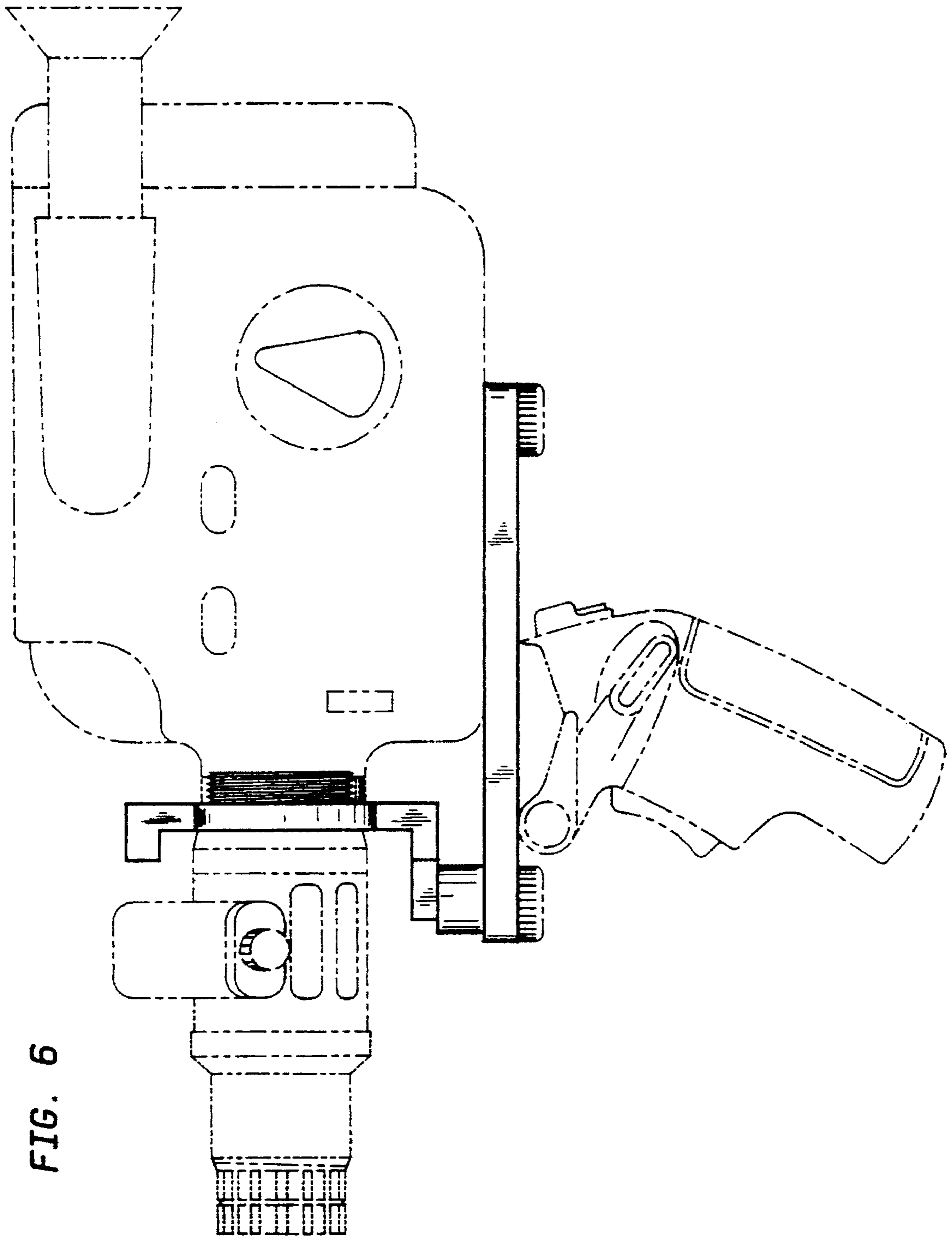


FIG. 6

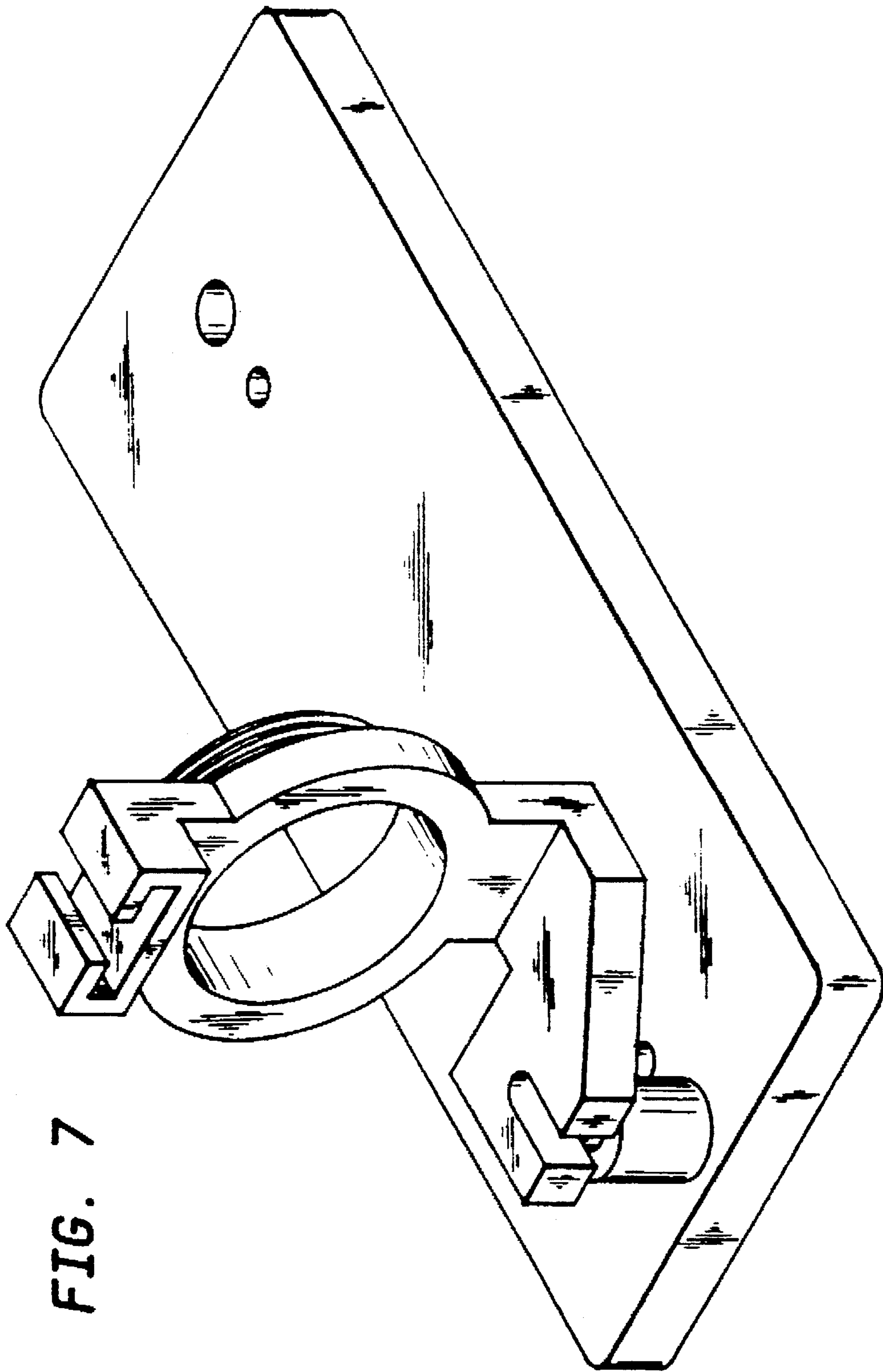


FIG. 7

FIG. 8

