



US00D382285S

United States Patent [19] Kung

[11] Patent Number: Des. 382,285

[45] Date of Patent: **Aug. 12, 1997

[54] BINOCULARS WITH LAMP

5,510,933 4/1996 Bullers, Sr. 359/409 X

[76] Inventor: **Su-Min Kung**, 8F, No. 276-2, Sec. 1,
Tai-Tung Rd., Hsichih, Taiwan

Primary Examiner—Doris V. Coles
Attorney, Agent, or Firm—Natard & Michalos

[**] Term: 14 Years

[57] CLAIM

[21] Appl. No.: 52,337

The ornamental design for binoculars with lamp, as shown and described.

[22] Filed: Mar. 27, 1996

DESCRIPTION

[51] LOC (6) Cl. 16-06

[52] U.S. Cl. D16/133

[58] Field of Search D16/133; 359/407-422,
359/508, 554, 555, 556, 579, 809

FIG. 1 is a perspective view of binoculars with lamp showing my new design;

FIG. 2 is a front elevational view thereof;

FIG. 3 is a rear elevational view thereof;

FIG. 4 is a left side elevational view thereof;

FIG. 5 is a right side elevational view thereof;

FIG. 6 is a top view thereof;

FIG. 7 is a bottom view thereof; and,

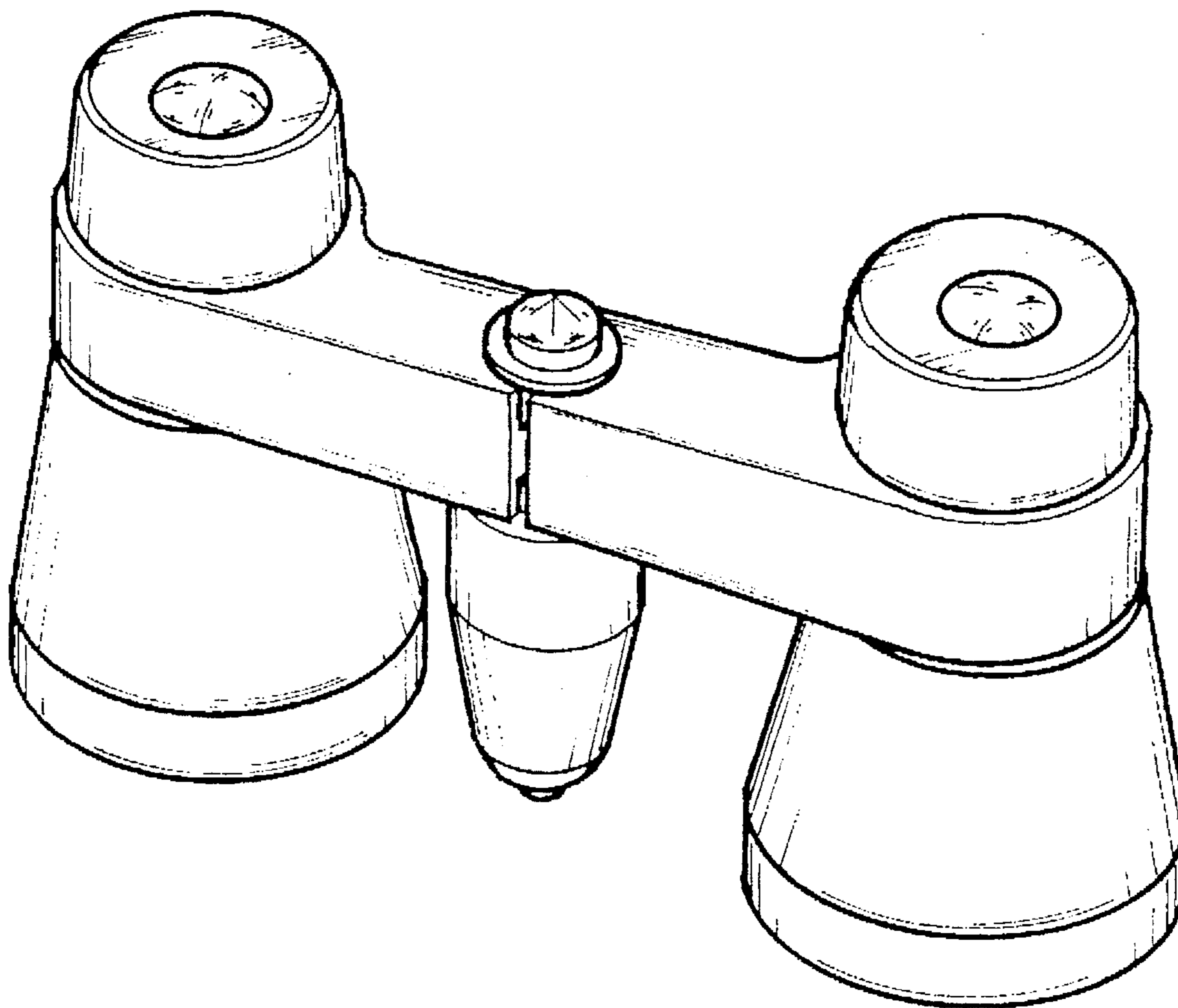
FIG. 8 is a perspective view of binoculars with lamp.

[56] References Cited

U.S. PATENT DOCUMENTS

D. 65,567	9/1924	Hahn	D16/133
D. 126,480	4/1941	MacCowan	D16/133
D. 208,587	9/1967	Herold	D16/133
4,171,865	10/1979	Kamakura	359/414

1 Claim, 7 Drawing Sheets



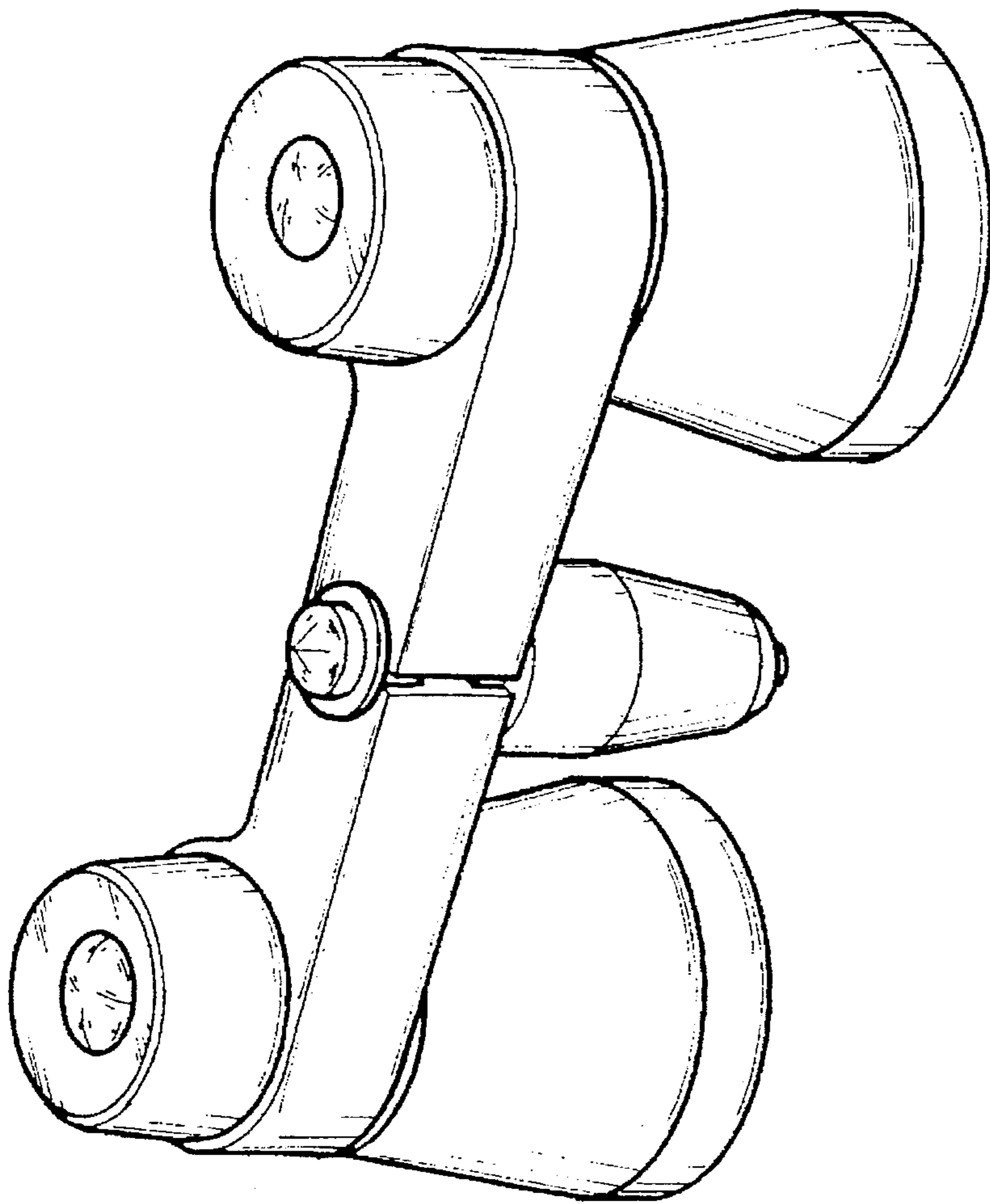


FIG. 1

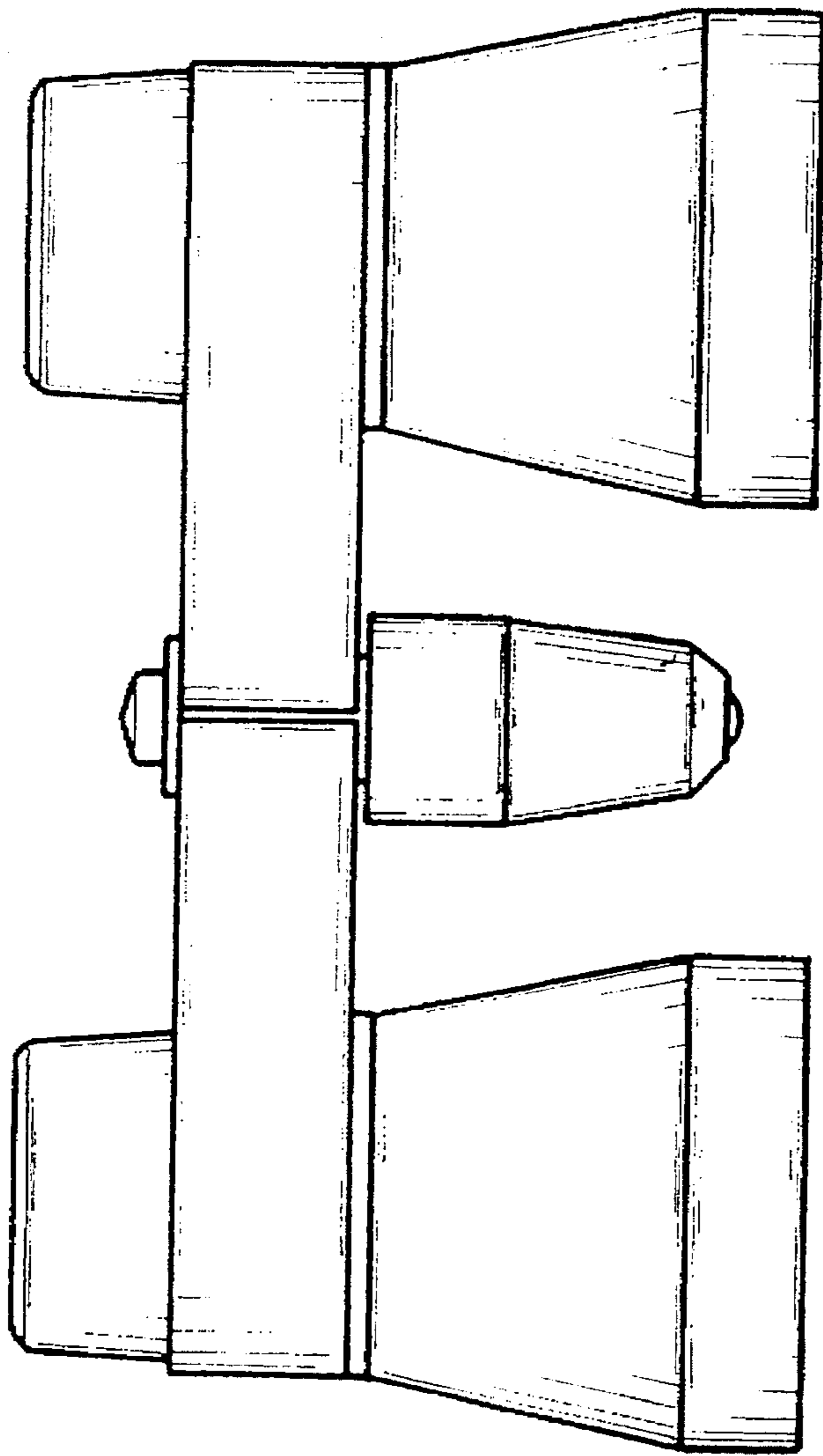


FIG. 2

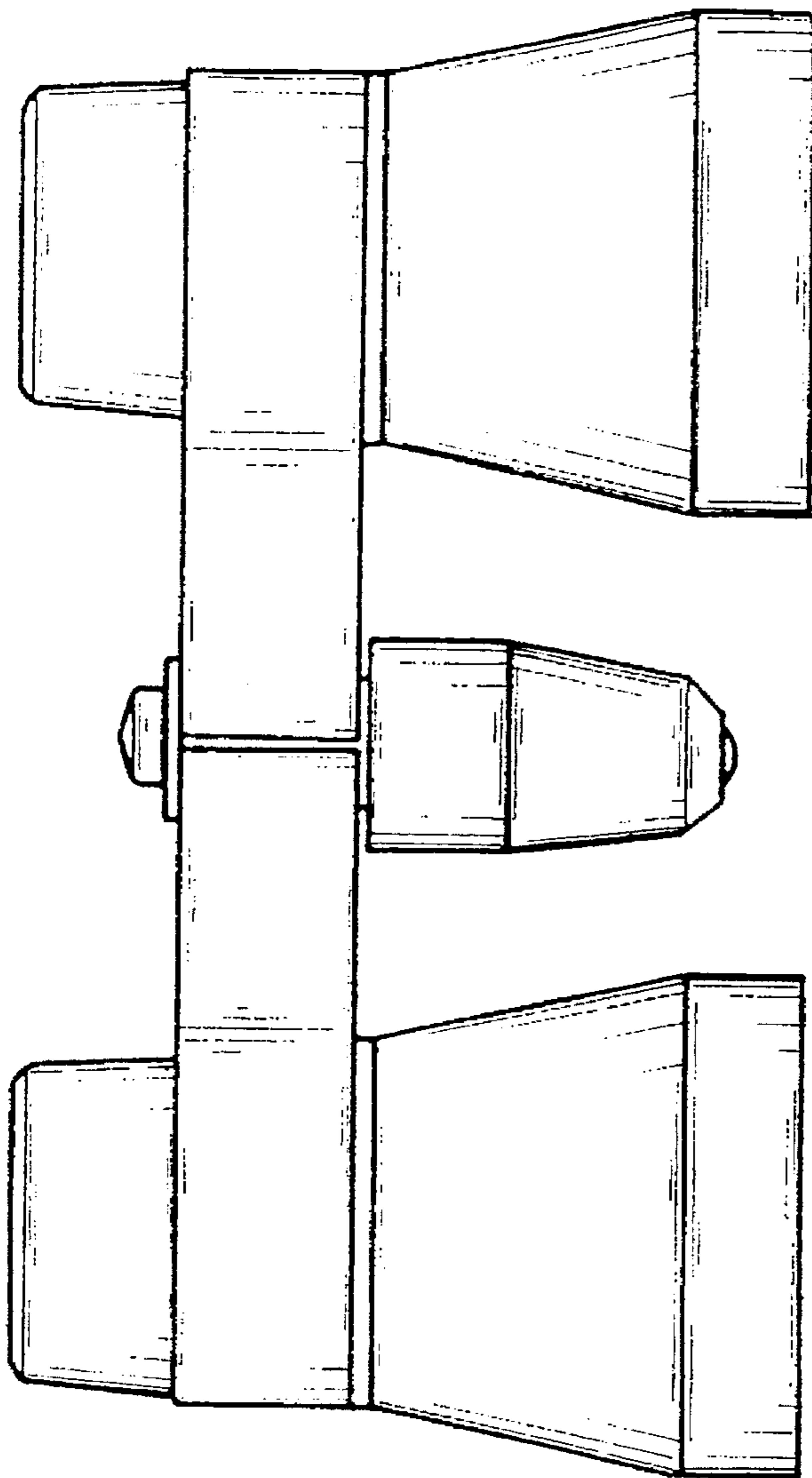


FIG. 3

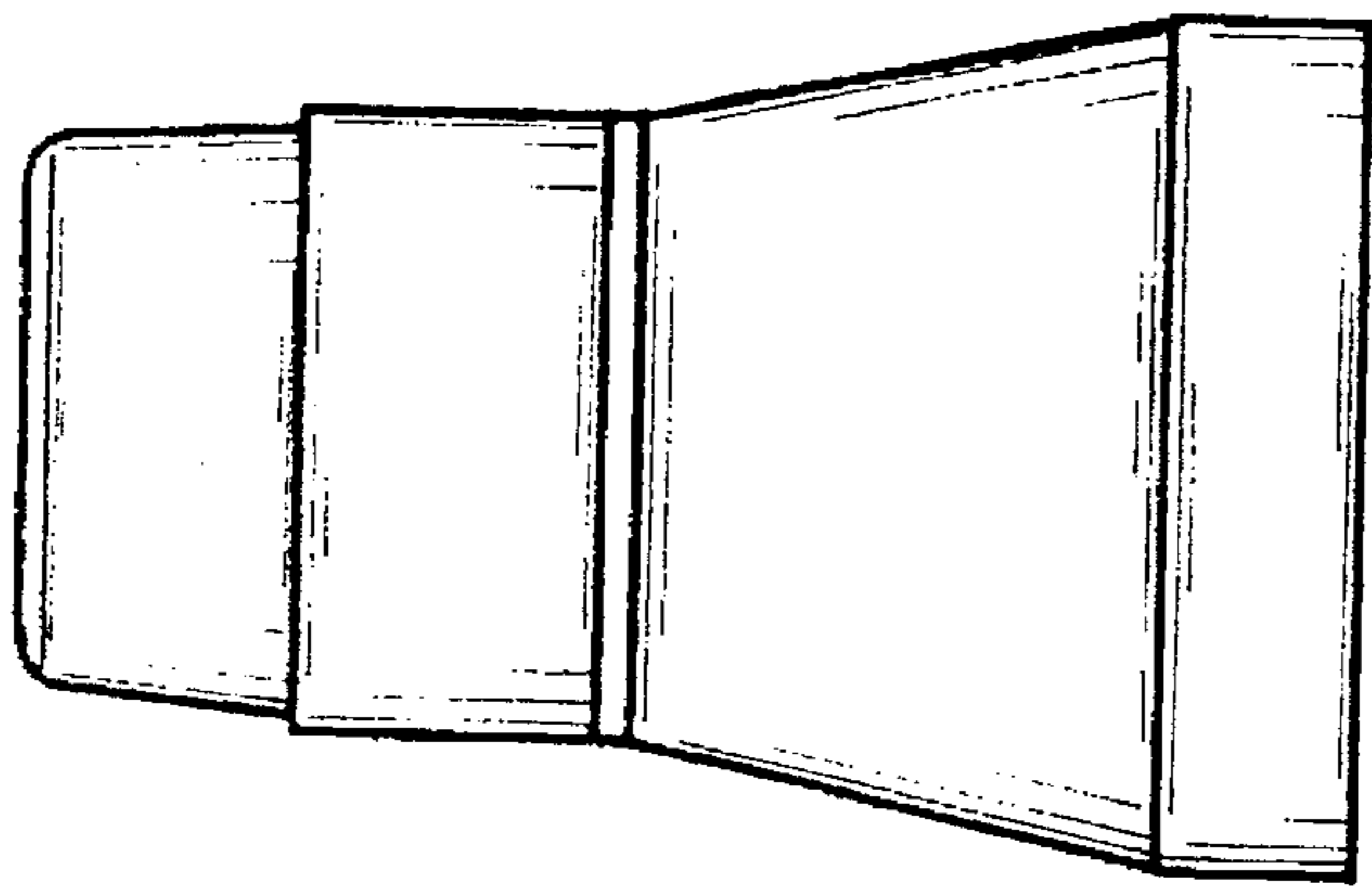


FIG. 4

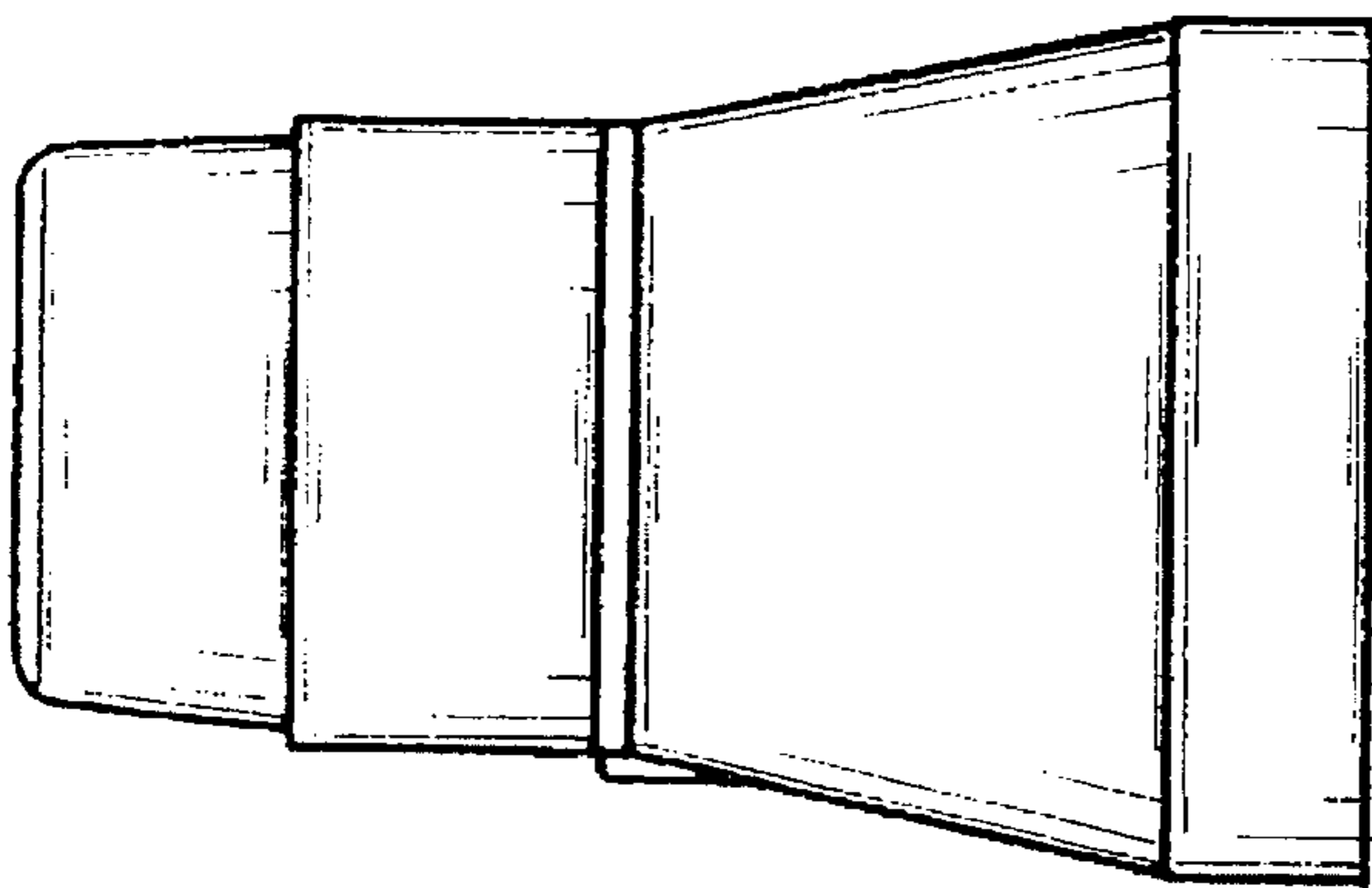


FIG. 5

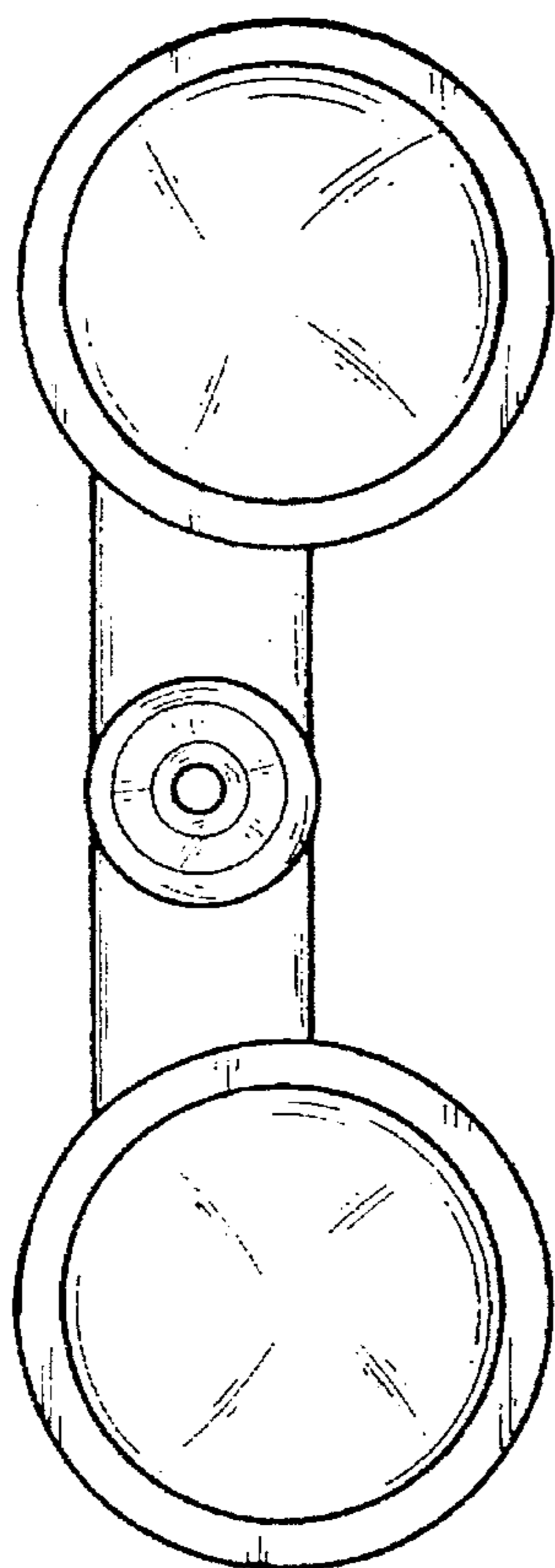


FIG. 7

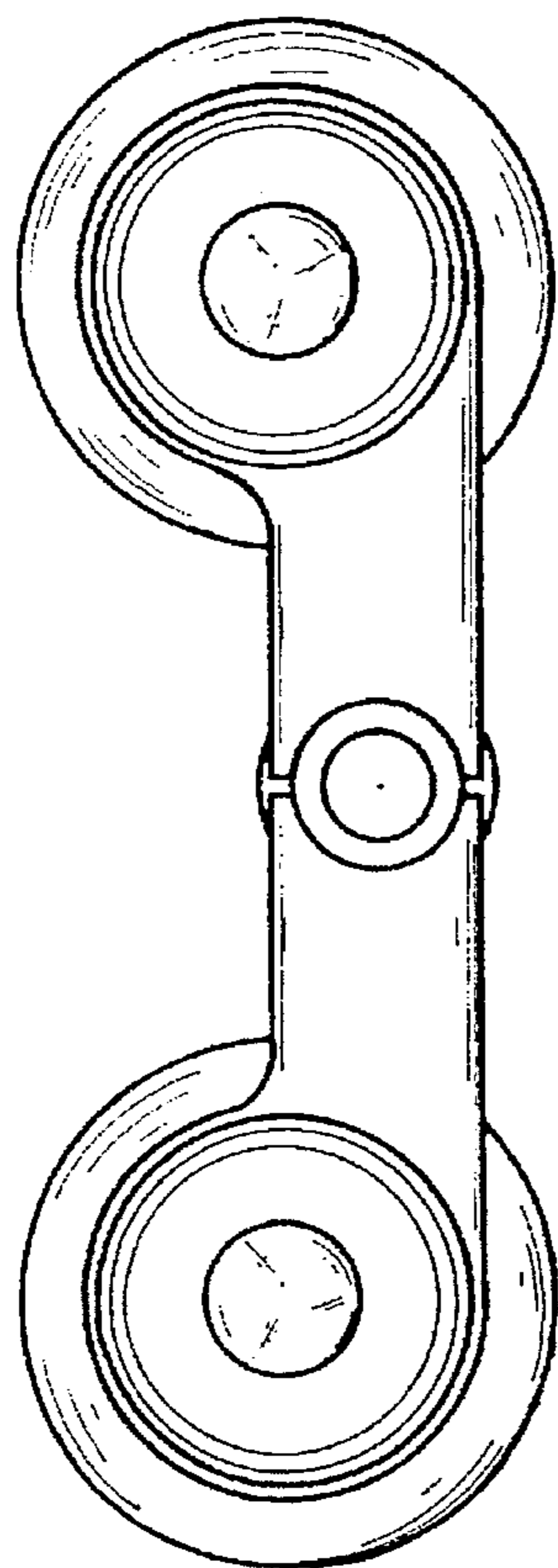


FIG. 6

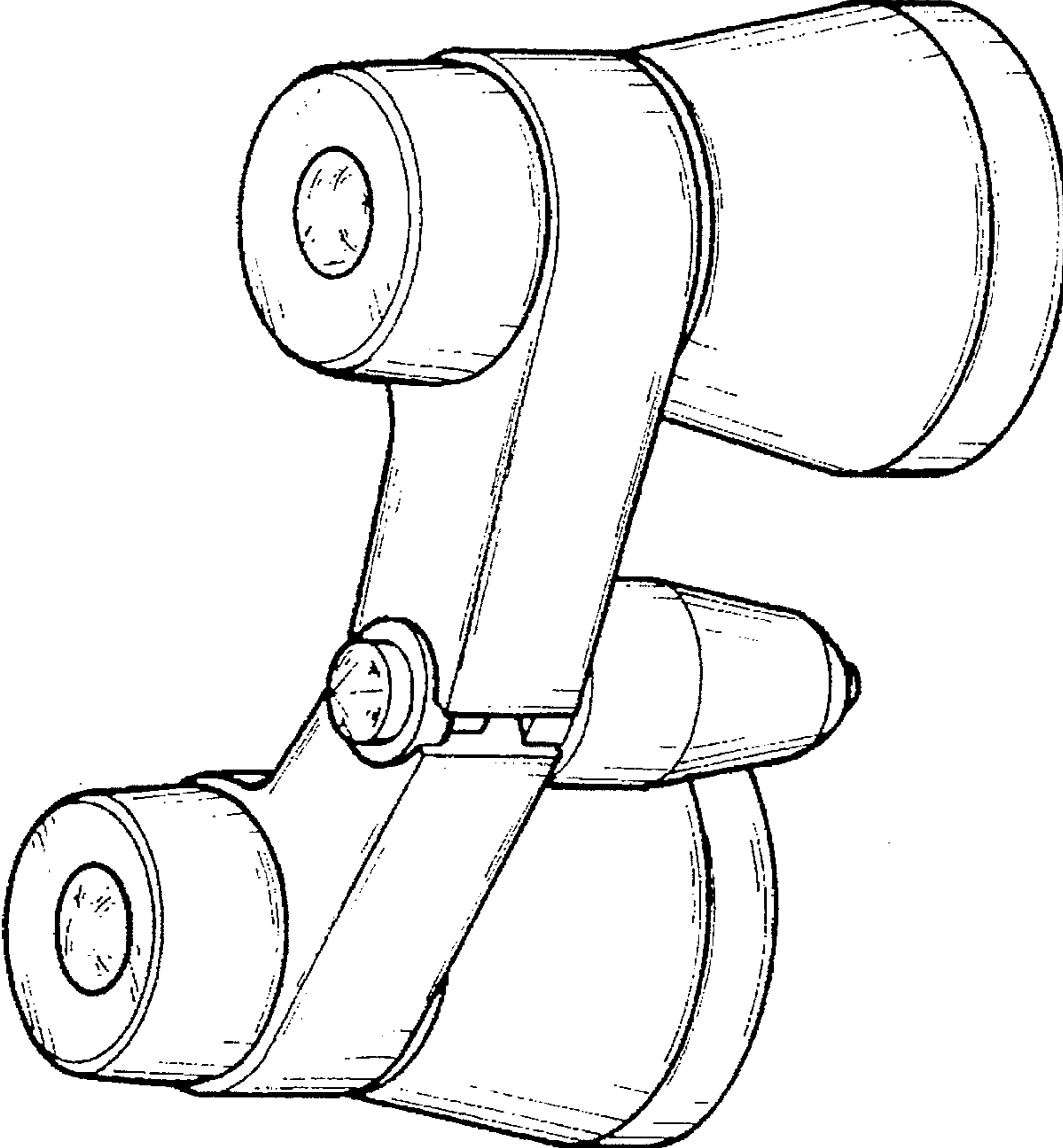


FIG. 8