



US00D382283S

United States Patent [19]

[11] Patent Number: **Des. 382,283**

Benson

[45] Date of Patent: ****Aug. 12, 1997**

[54] **REDUCED PROFILE CAM HELIX FOR A TORQUE RESPONSIVE ACTUATION DEVICE**

5,520,272 5/1996 Ewer et al. 192/93 A X
5,538,120 7/1996 Berardicuncti 192/54.52

[76] Inventor: **Steven R. Benson**, 5919 S. 350 West,
P.O. Box 57547, Murray, Utah 84157

Primary Examiner—Antoine Duval Davis
Attorney, Agent, or Firm—M. Reid Russell

[**] Term: **14 Years**

[57] **CLAIM**

[21] Appl. No.: **46,966**

The ornamental design for a reduced profile cam helix for a torque responsive actuation device, as shown and described.

[22] Filed: **Nov. 22, 1995**

DESCRIPTION

[51] **LOC (6) Cl.** **15-99**

FIG. 1 is a elevation perspective view of a profile cam helix for a torque responsive actuation device showing my new design;

[52] **U.S. Cl.** **D15/148**

FIG. 2 is a front elevation view thereof;

[58] **Field of Search** D15/5, 148, 199;
192/54.52, 93 A; 474/8, 10, 17, 19, 21

FIG. 3 is a rear elevation view thereof;

FIG. 4 is a right side elevation view thereof;

[56] **References Cited**

U.S. PATENT DOCUMENTS

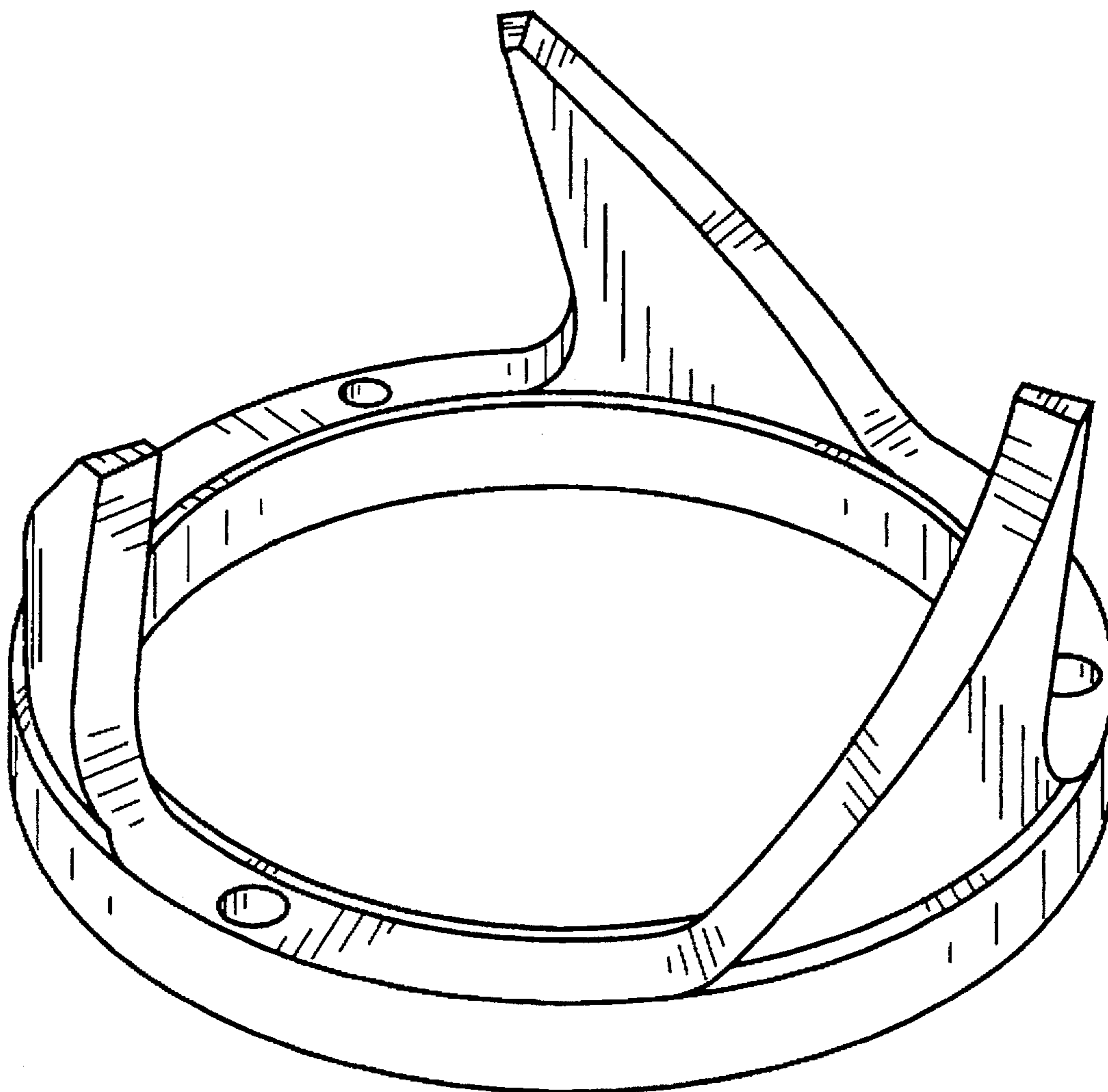
4,674,347 6/1987 Nishida et al. 192/93 A X
4,934,503 6/1990 Bacher et al. 192/93 A
5,403,240 4/1995 Smith et al. 474/19 X

FIG. 5 is a left side elevation view thereof;

FIG. 6 is a top plan view thereof; and,

FIG. 7 is a bottom plan view thereof.

1 Claim, 3 Drawing Sheets



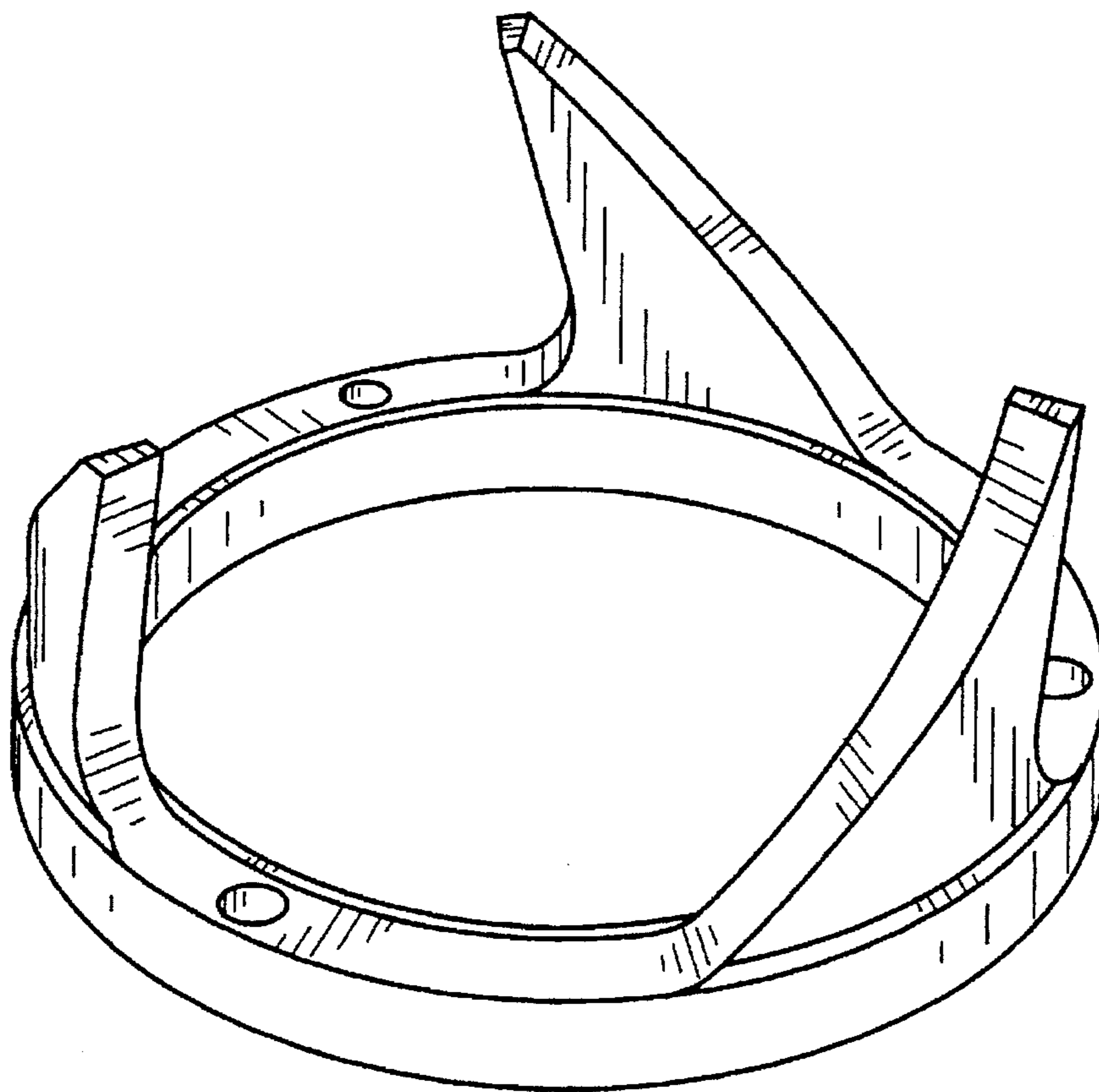


Fig. 1

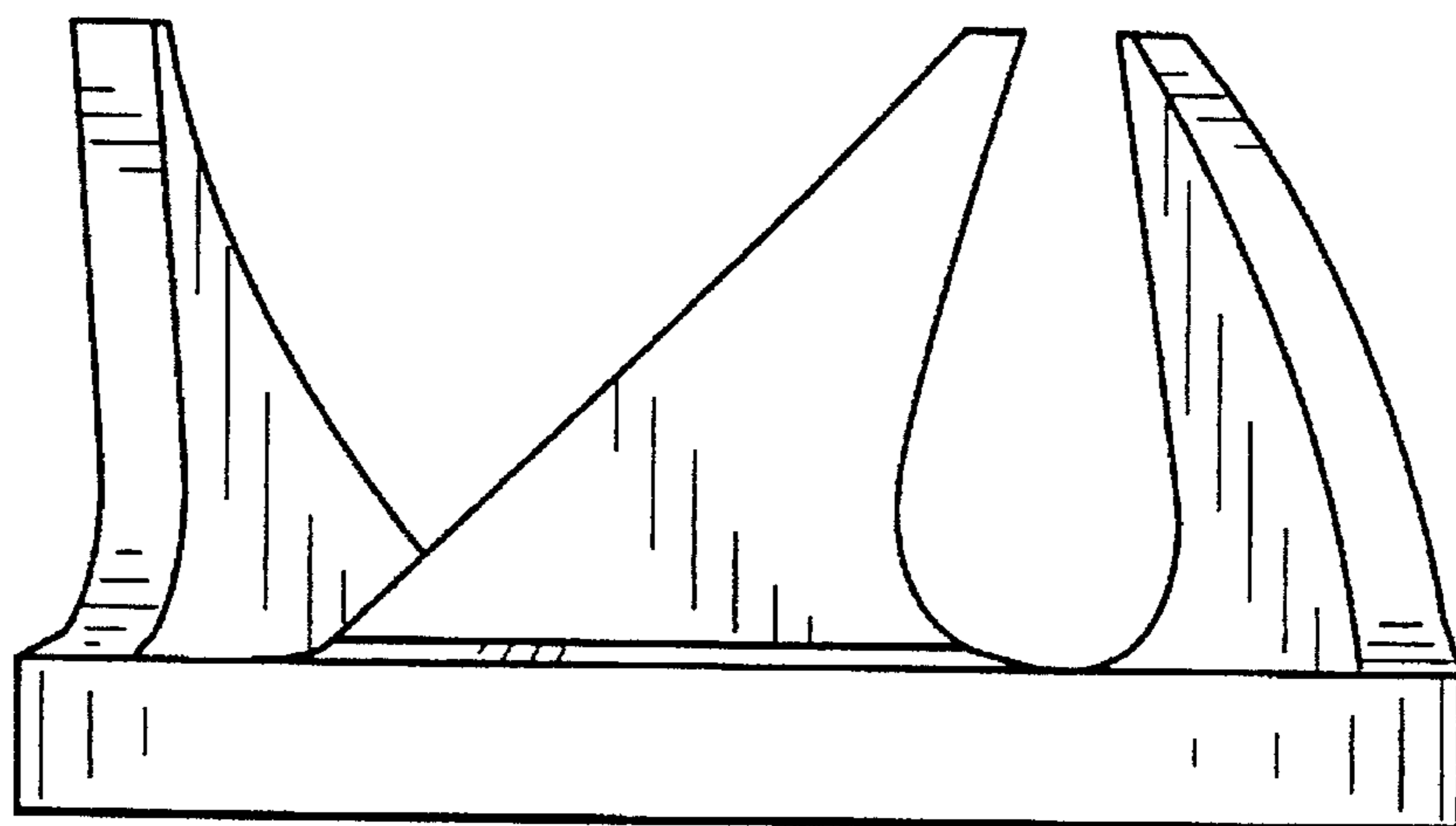


Fig. 2

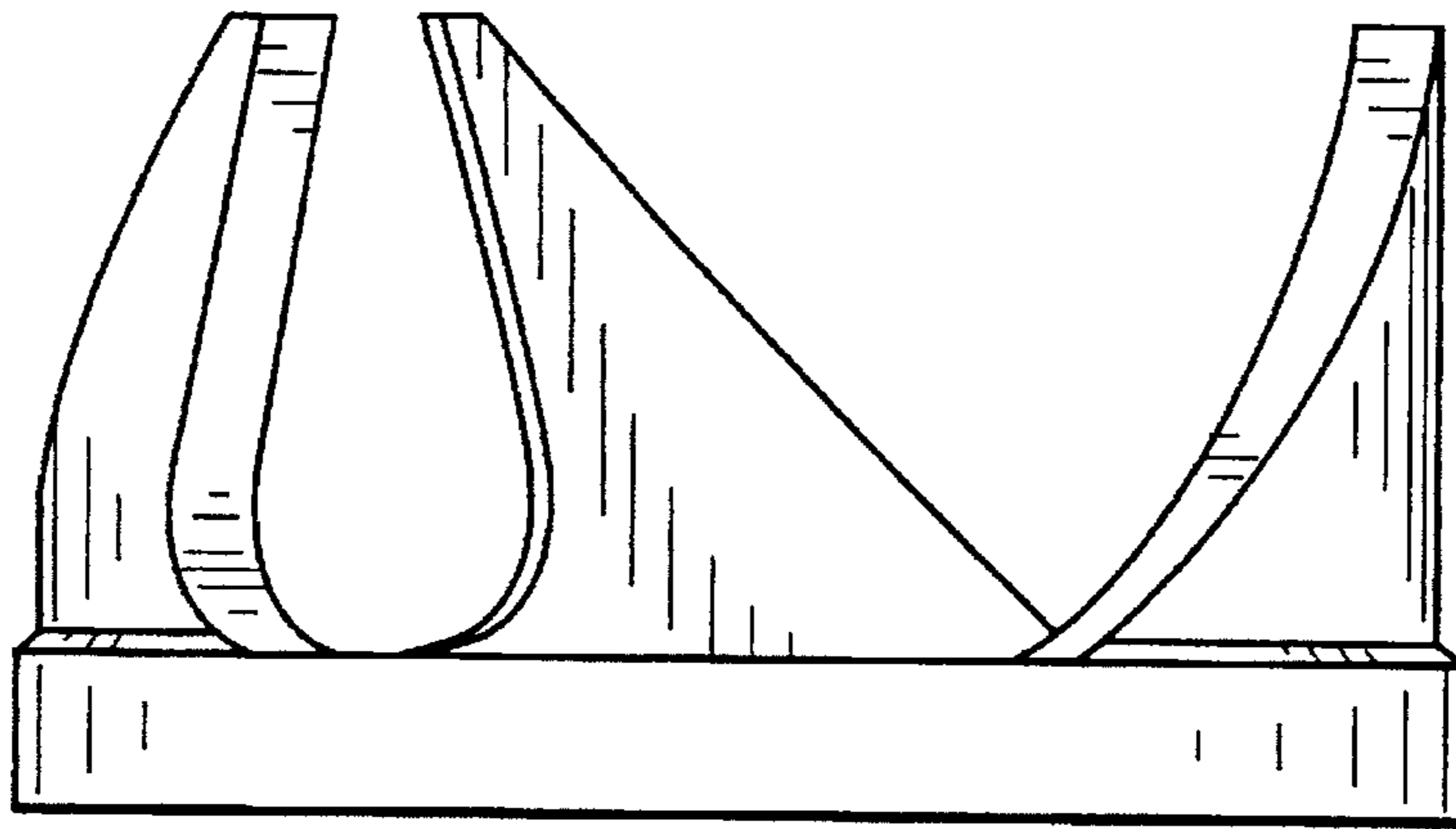


Fig. 3

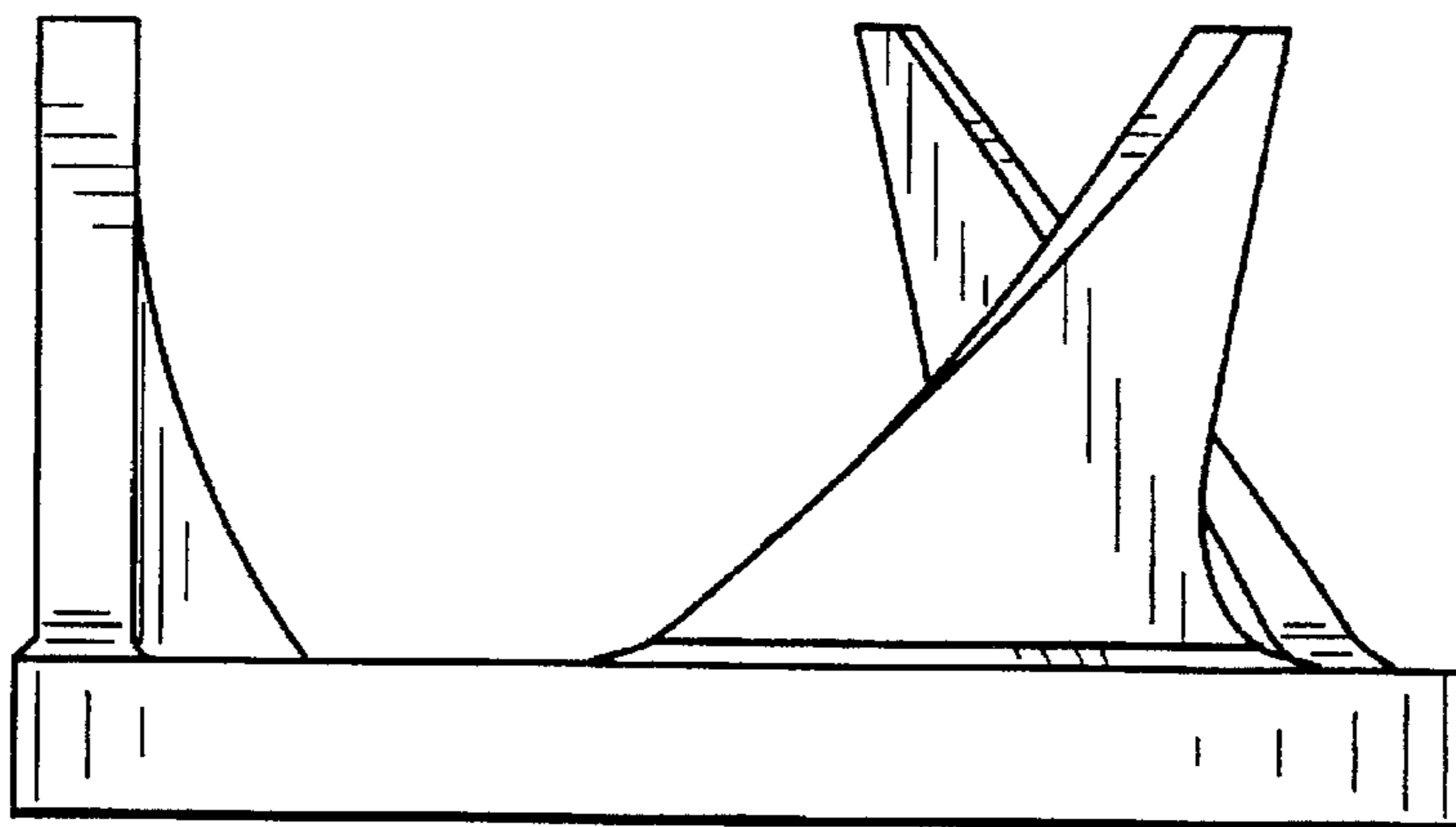


Fig. 4

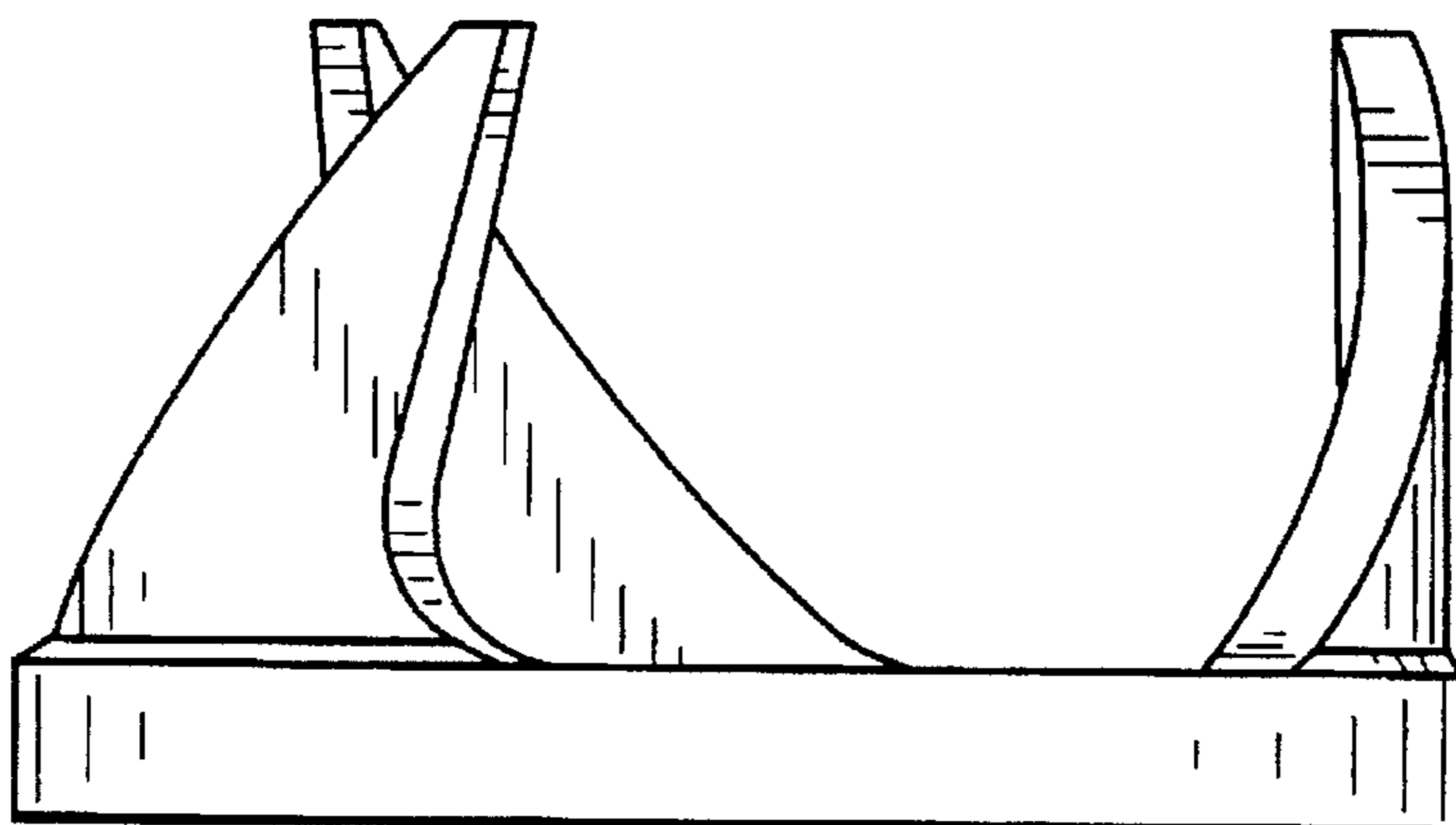


Fig. 5

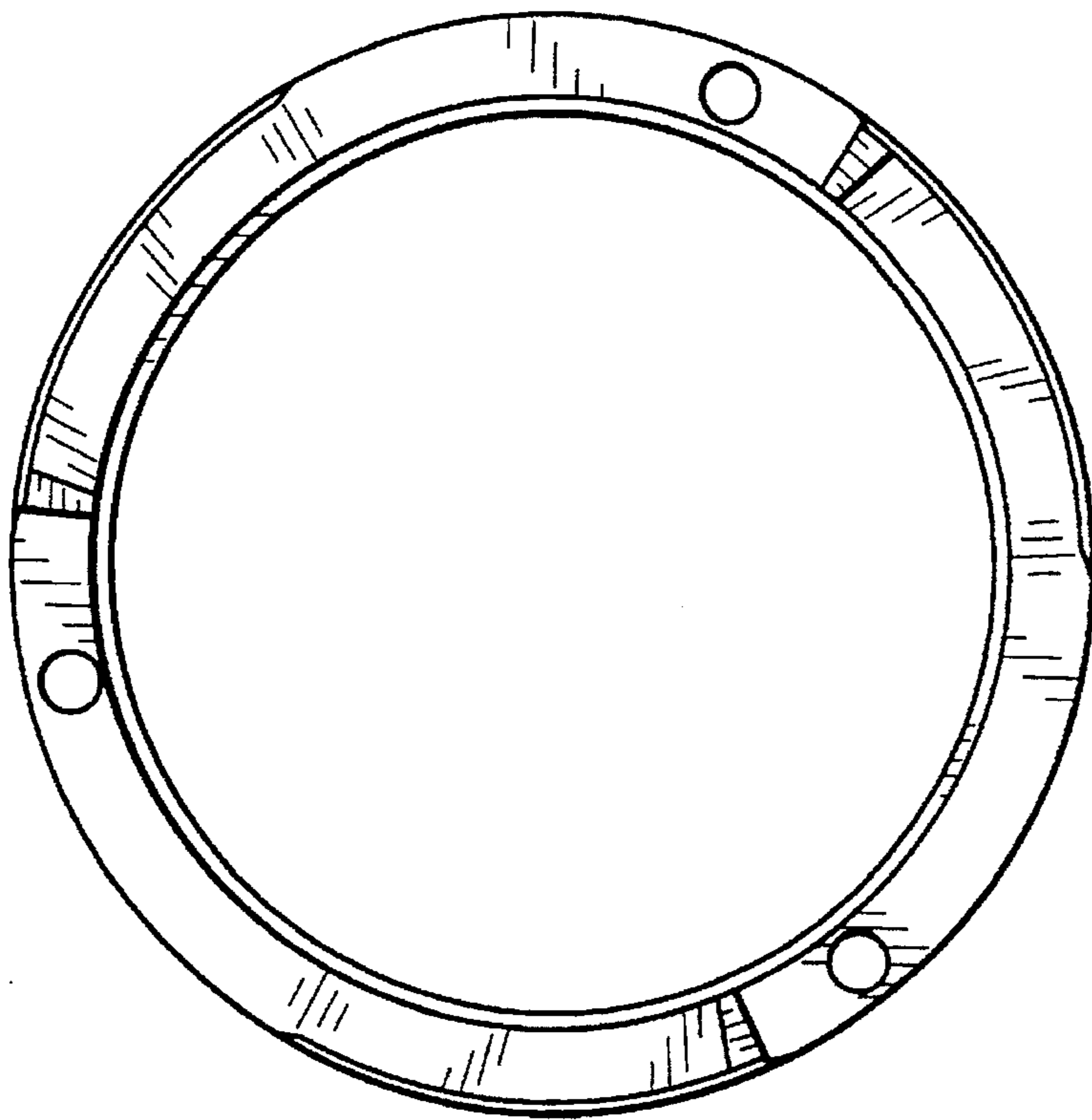


Fig. 6

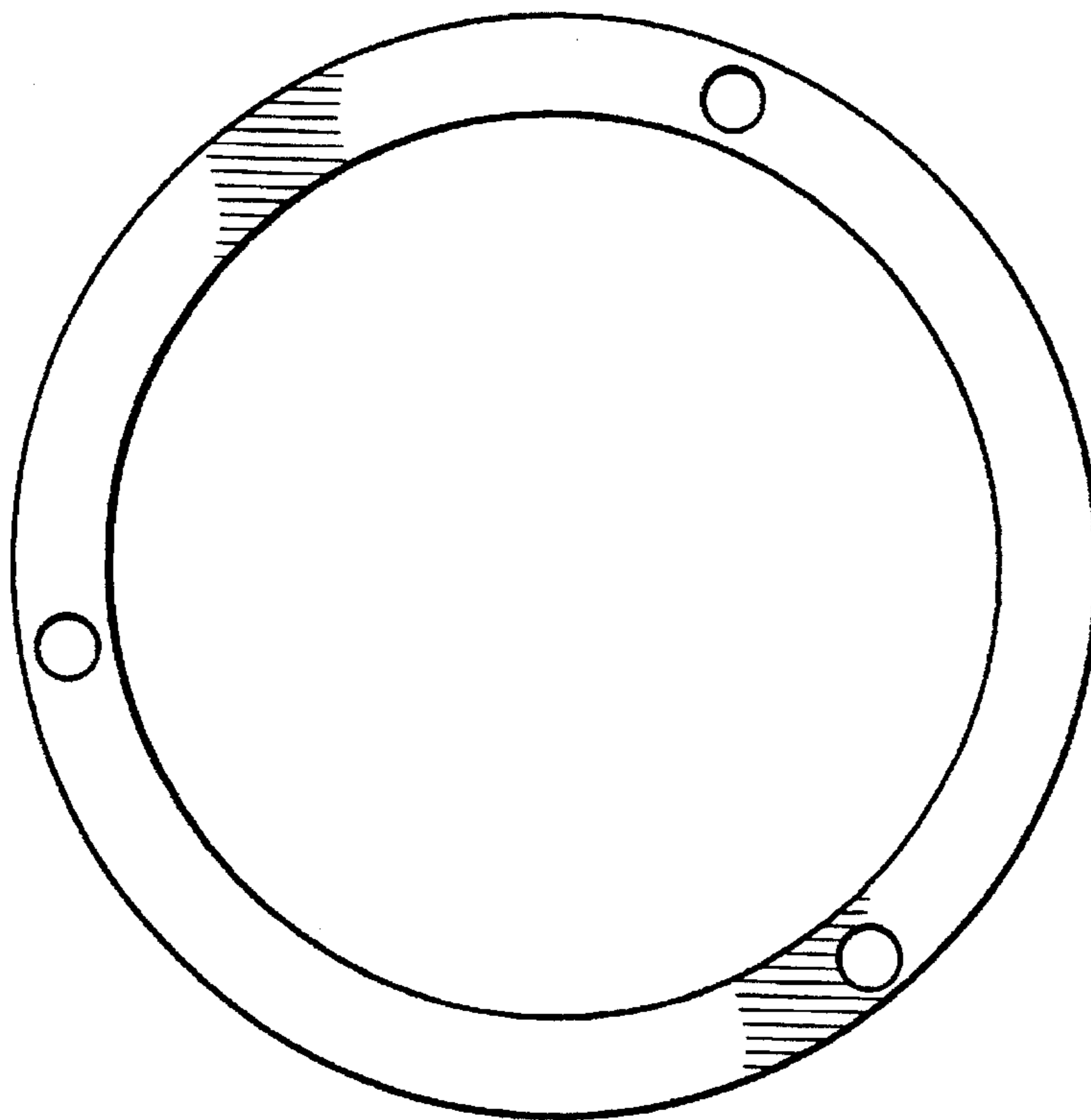


Fig. 7