



US00D382282S

# United States Patent [19]

[11] Patent Number: Des. 382,282

Micouleau

[45] Date of Patent: \*\*Aug. 12, 1997

[54] ENCLOSURE FOR PORTABLE TUBE-BENDING MACHINE

Primary Examiner—Antoine Duval Davis  
Attorney, Agent, or Firm—Kalish & Gilster

[75] Inventor: Marie Françoise Micouleau, Beautiran, France

[57] CLAIM

The ornamental design for an enclosure for a portable tube-bending machine, as shown and described.

[73] Assignee: Grover Machine Co., St. Louis, Mo.

[\*\*] Term: 14 Years

DESCRIPTION

[21] Appl. No.: 45,778

FIG. 1 is a perspective view from the front left side of an enclosure for a portable tube-bending machine;

[22] Filed: Oct. 30, 1995

FIG. 2 is a perspective view from the rear right side;

[51] LOC (6) Cl. .... 15-09

FIG. 3 is a front elevational view;

[52] U.S. Cl. .... D15/122

FIG. 4 is a rear elevational view;

[58] Field of Search ..... D15/122, 123;  
72/217, 218, 219

FIG. 5 is a side elevation view taken from the lefthand side of FIG. 3;

[56] References Cited

FIG. 6 is a side elevation view taken from the righthand side of FIG. 3;

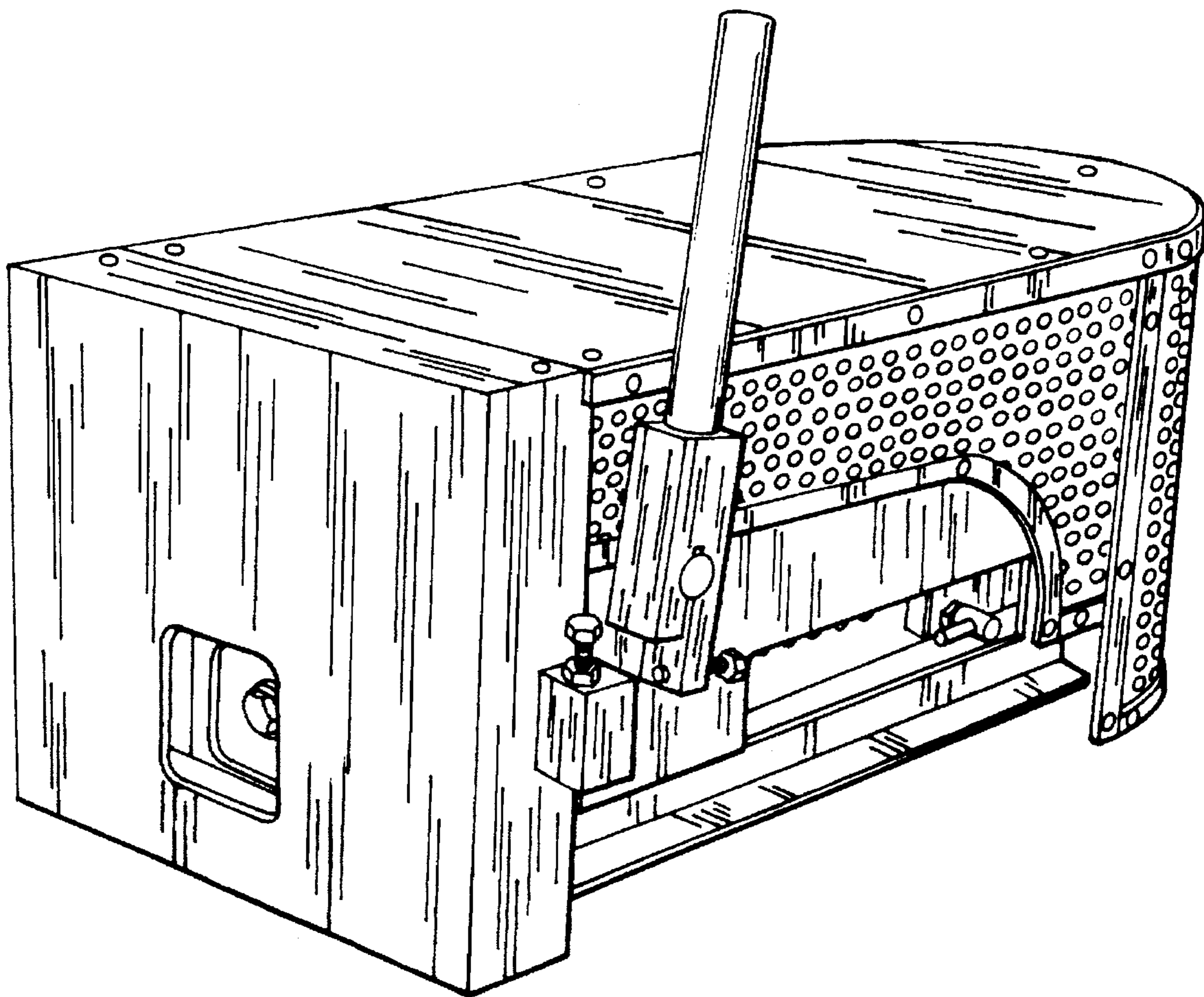
U.S. PATENT DOCUMENTS

FIG. 7 is a top plan view; and,

FIG. 8 is a bottom plan view.

D. 347,231 5/1994 Bradshaw ..... D15/122  
5,203,192 4/1993 Kimura ..... 72/217

1 Claim, 4 Drawing Sheets



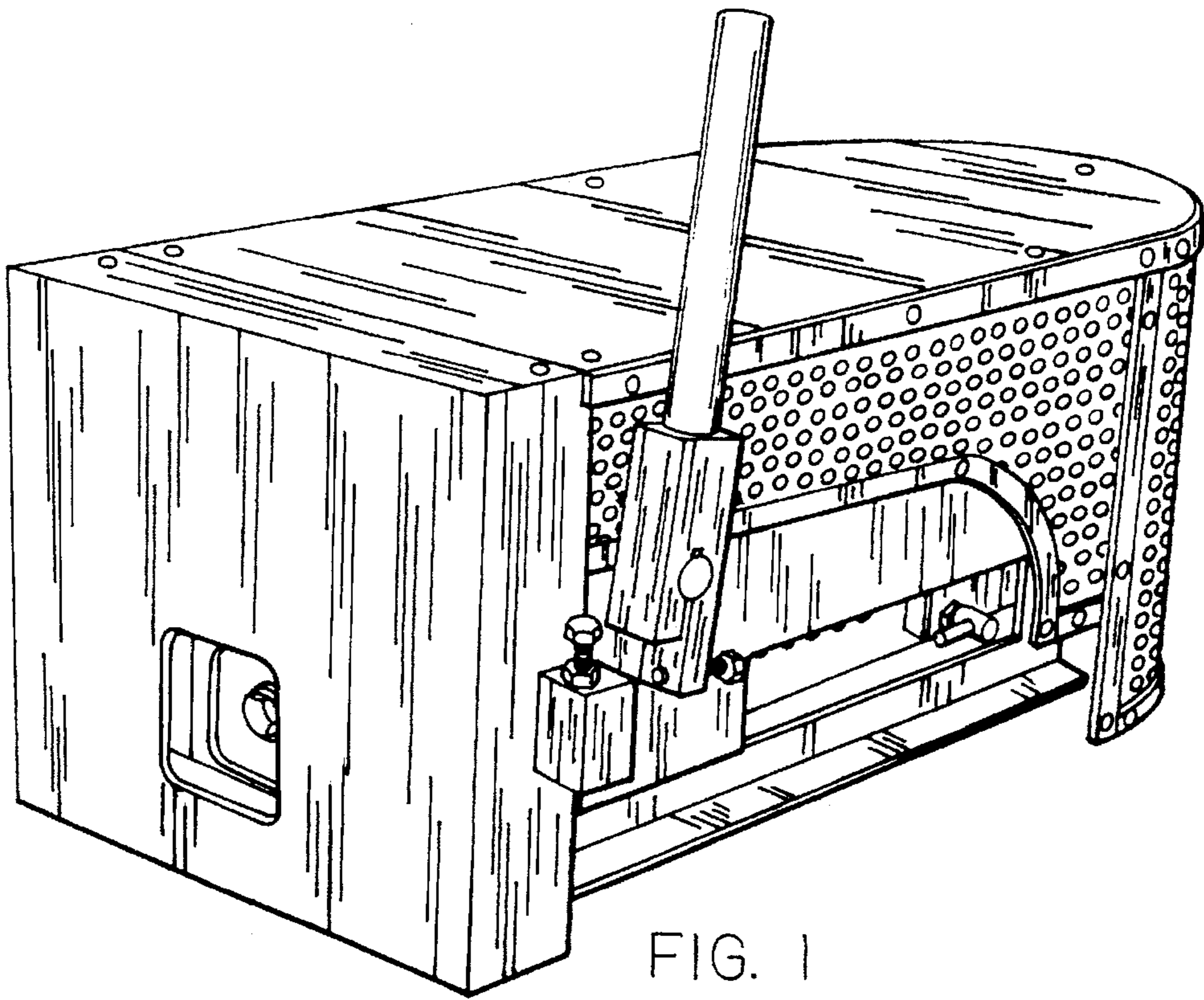


FIG. 1

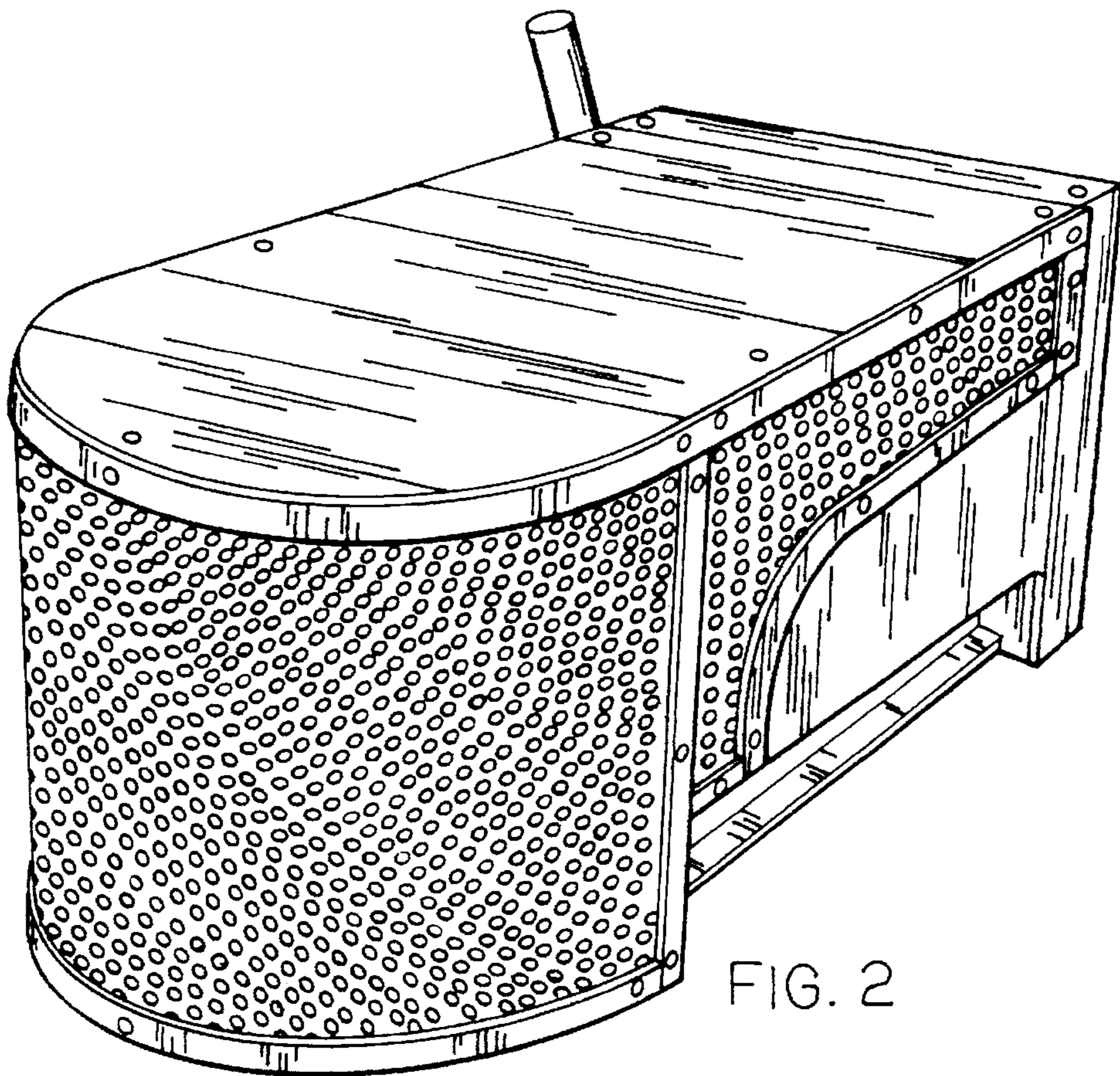


FIG. 2

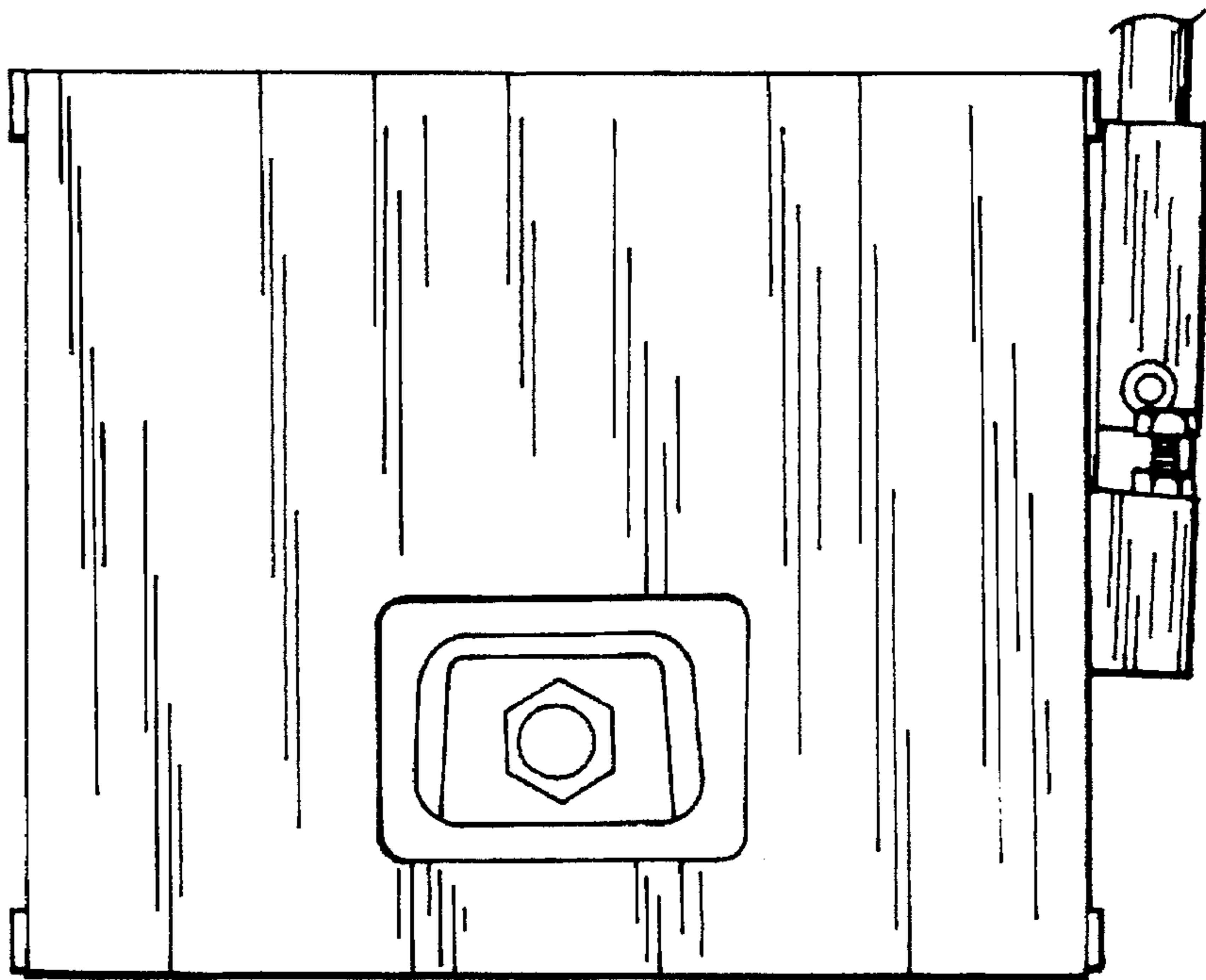


FIG. 3

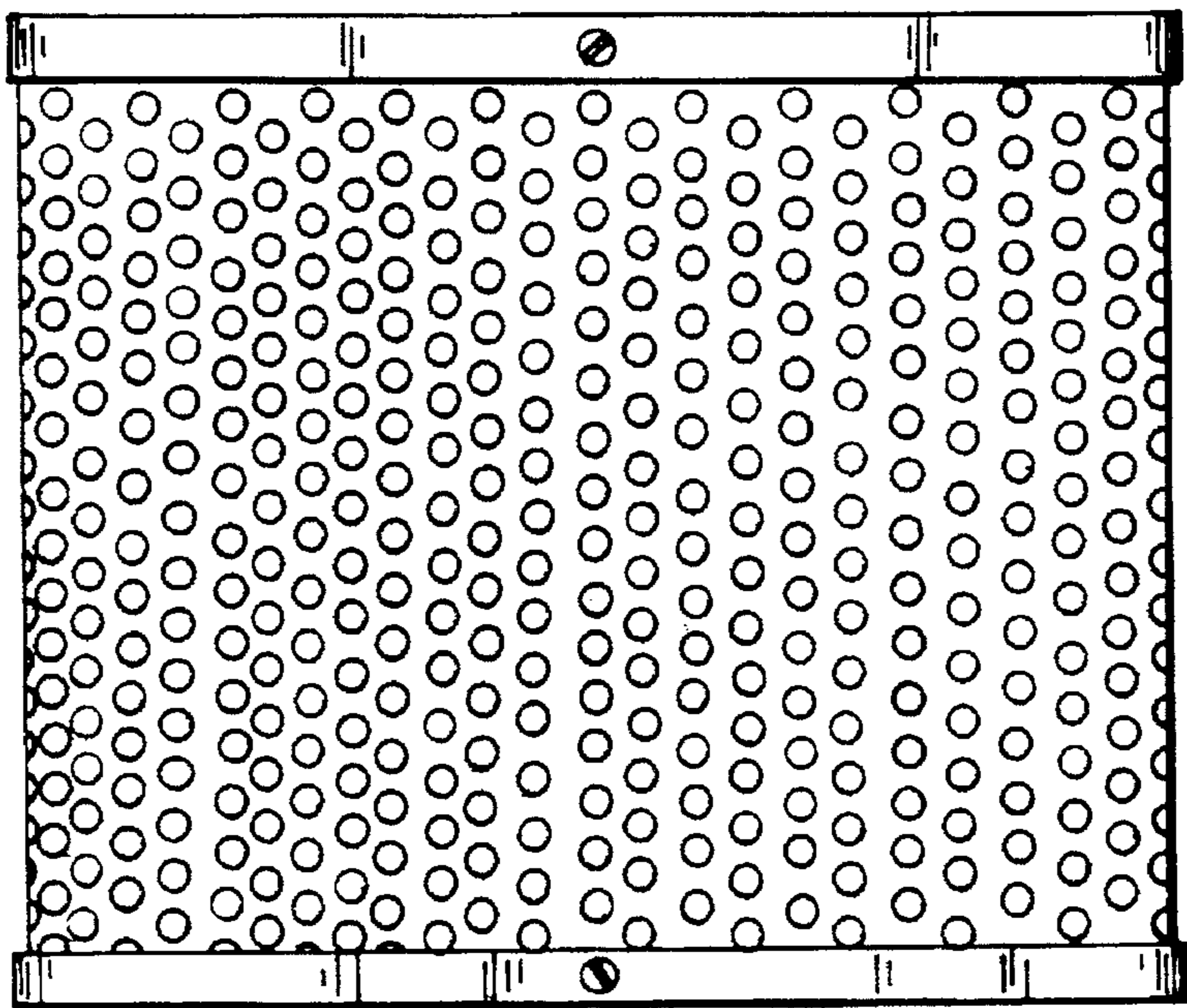


FIG. 4

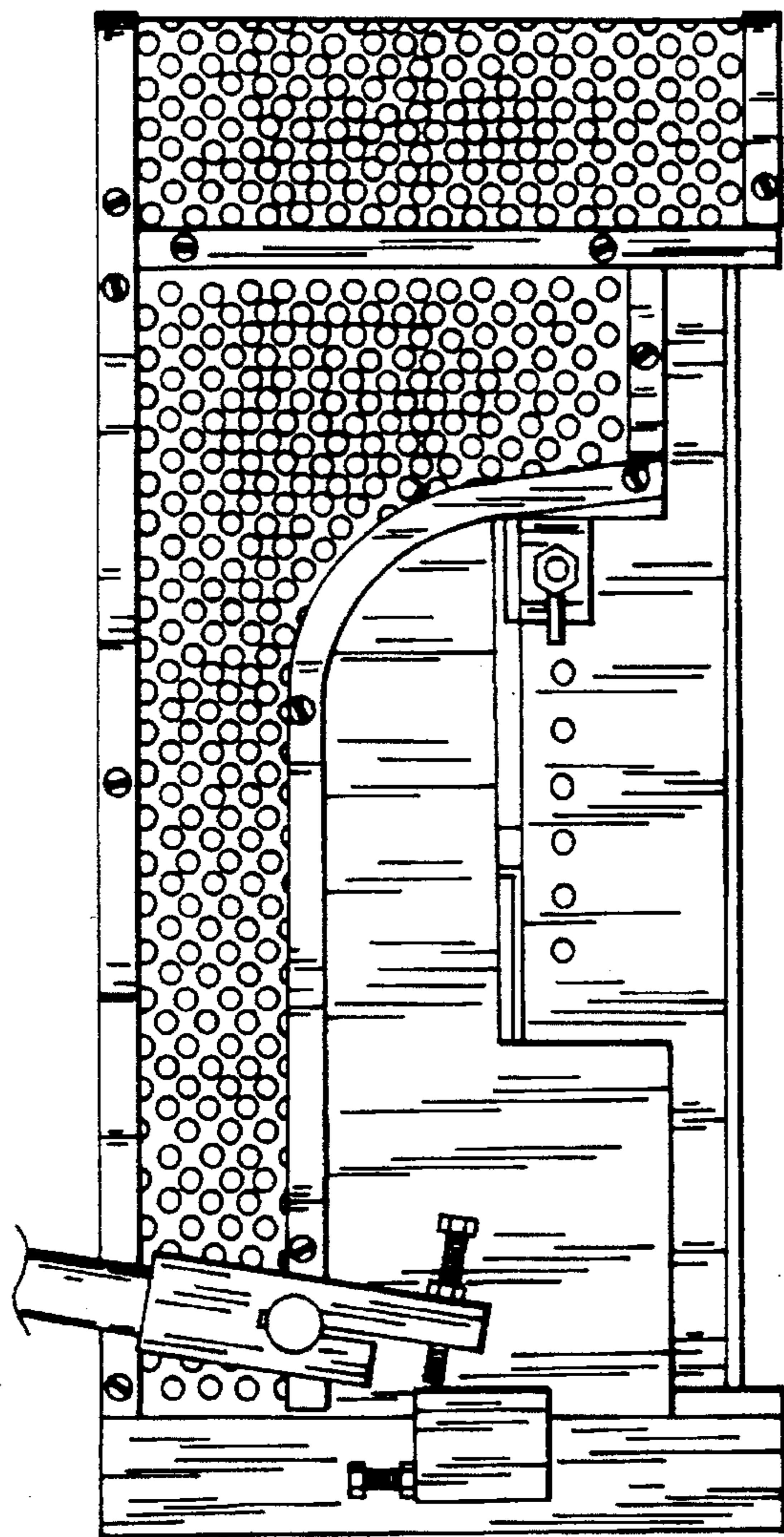


FIG. 5

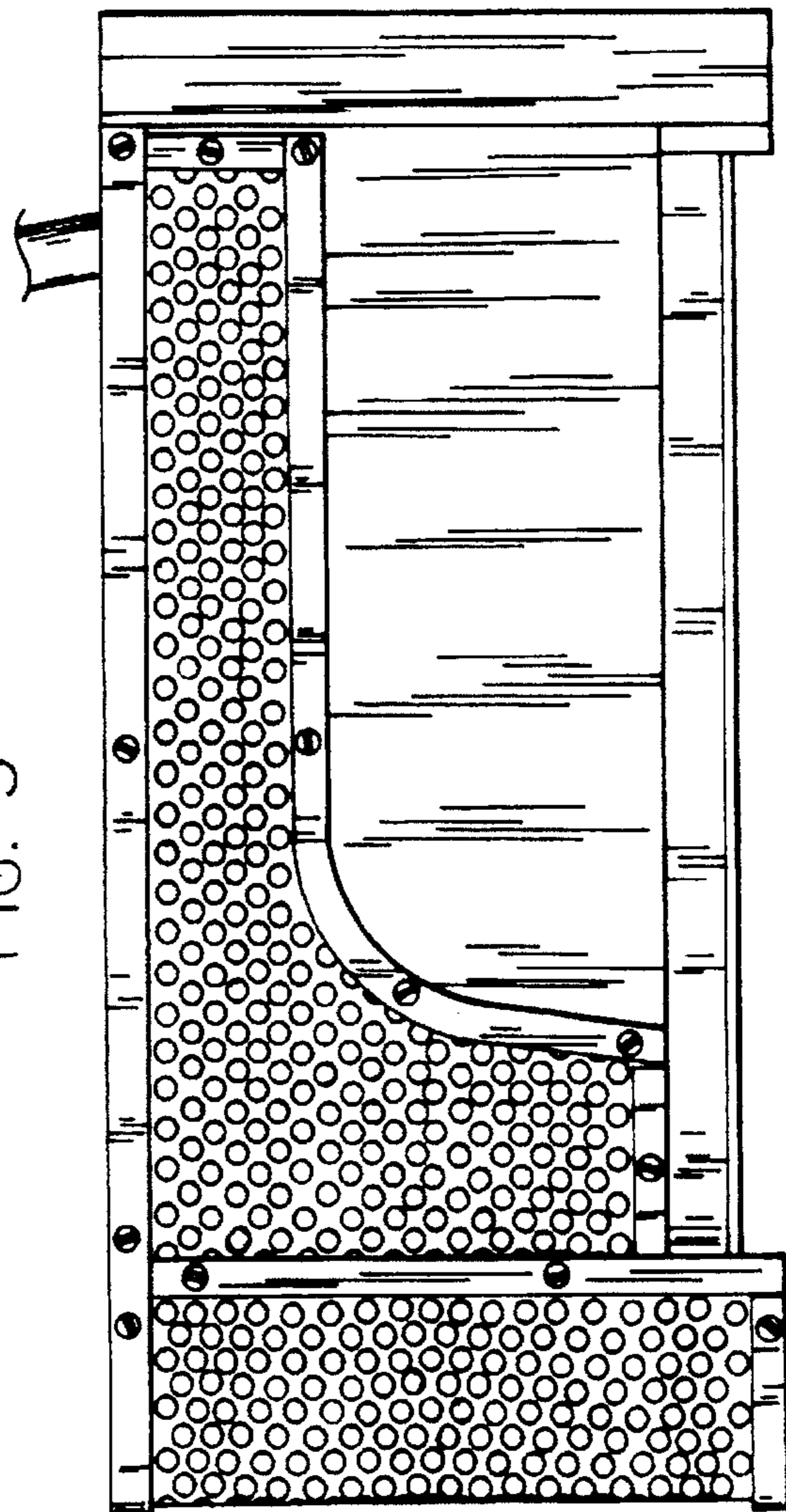


FIG. 6

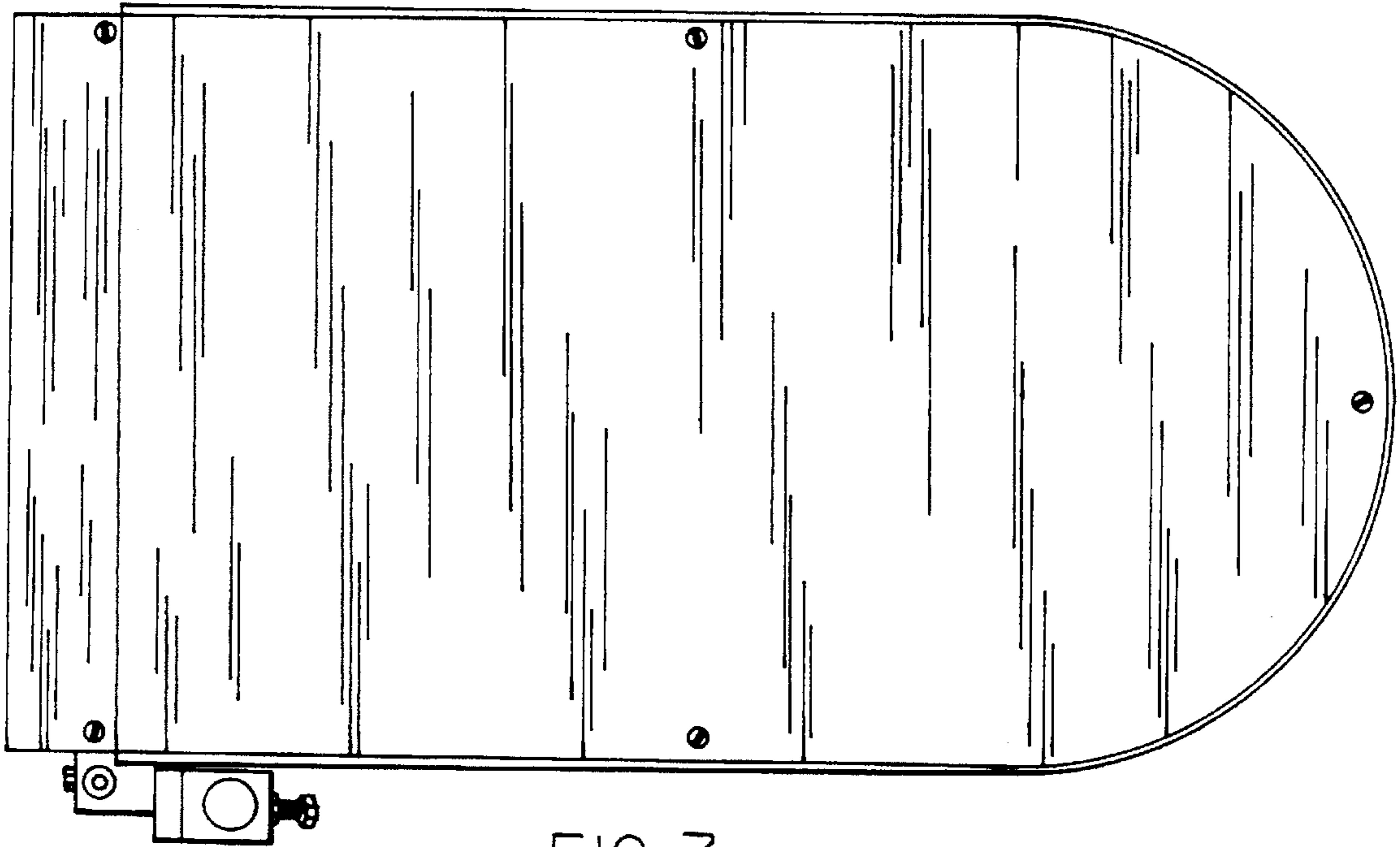


FIG. 7

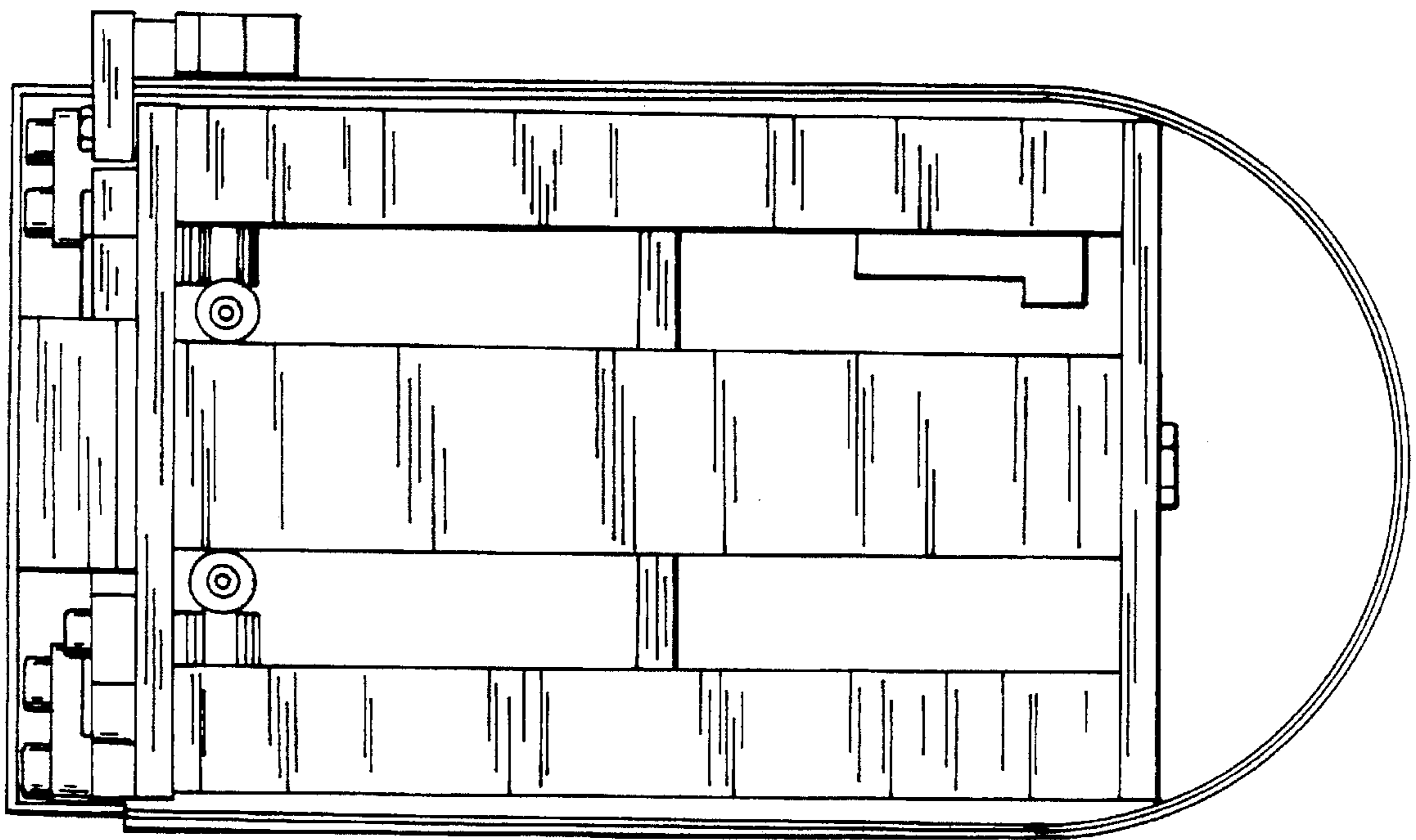


FIG. 8