



US00D382281S

# United States Patent [19]

[11] Patent Number: **Des. 382,281**

Takada et al.

[45] Date of Patent: **\*\*Aug. 12, 1997**

[54] SEWING MACHINE

2,762,324	9/1956	Hess	.....	112/258	X
4,718,364	1/1988	Kessler	.....	112/259	X
5,388,540	2/1995	Satoma	.....	112/261	

[75] Inventors: **Sanae Takada; Yujiro Motomizu**, both of Chofu, Japan

### OTHER PUBLICATIONS

[73] Assignee: **Juki Corporation**, Tokyo, Japan

Vogue Patterns, Sep. 1984, p. 96, Overlocker sewing machine.

[\*\*] Term: **14 Years**

*Primary Examiner*—Terry A. Wallace  
*Attorney, Agent, or Firm*—Morgan & Finnegan, LLP

[21] Appl. No.: **48,058**

[22] Filed: **Dec. 19, 1995**

### [57] CLAIM

### [30] Foreign Application Priority Data

The ornamental design for a sewing machine, as shown and described.

Jun. 30, 1995 [JP] Japan ..... 7-18948

### DESCRIPTION

[51] LOC (6) Cl. .... **15-06**

[52] U.S. Cl. .... **D15/69**

[58] Field of Search ..... D15/66-72; 112/217.1-217.4,  
112/258-262.1

FIG. 1 is a perspective view of a sewing machine showing our new design;

FIG. 2 is a top view thereof;

FIG. 3 is a front view thereof;

FIG. 4 is a right side view thereof;

FIG. 5 is a rear view thereof;

FIG. 6 is a left side view thereof; and,

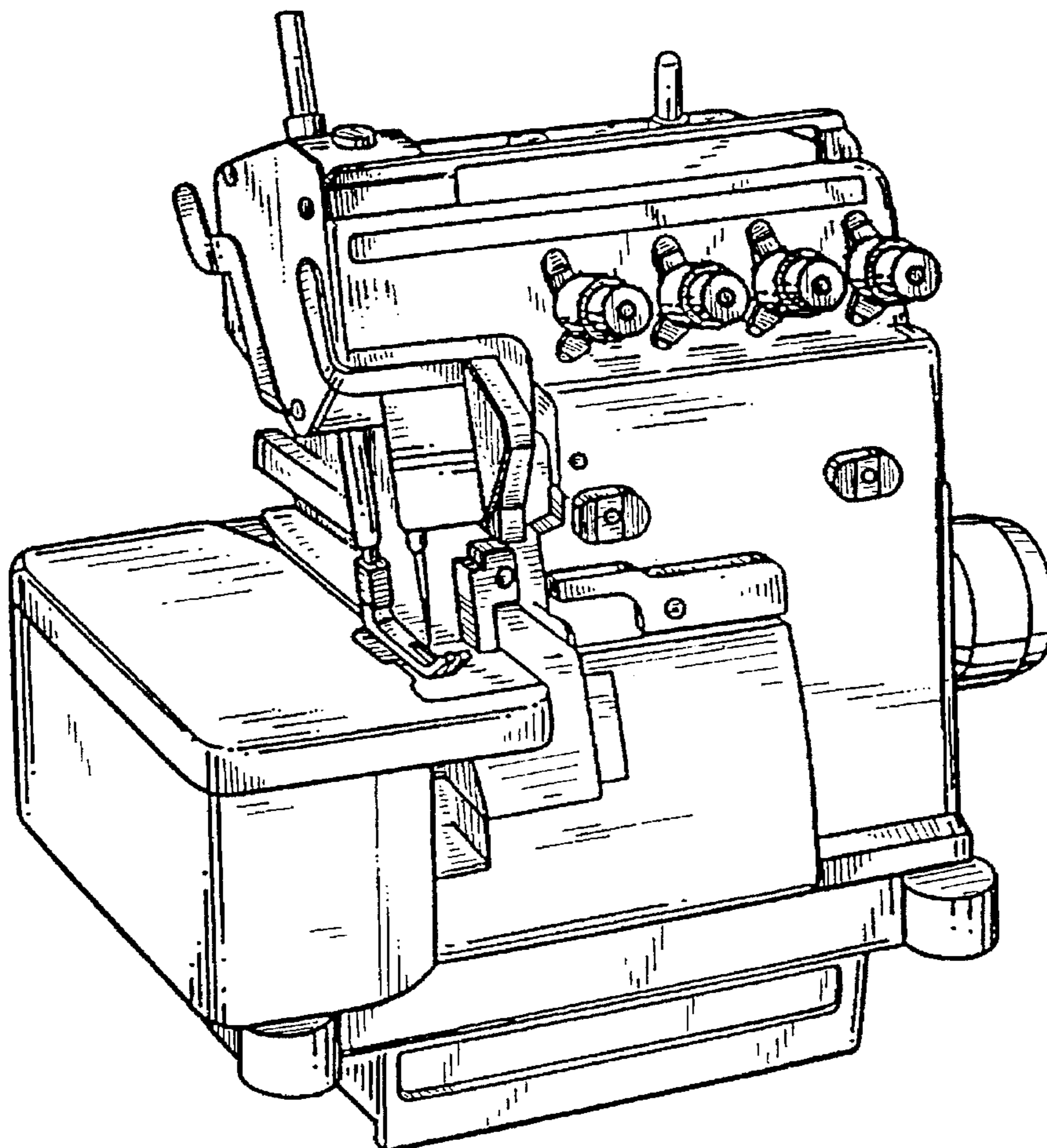
FIG. 7 is a bottom view thereof.

### [56] References Cited

#### U.S. PATENT DOCUMENTS

D. 278,823	5/1985	Yoneda	.....	D15/69
D. 292,928	11/1987	Lo	.....	D15/69
D. 321,694	11/1991	Uchida	.....	D15/69

**1 Claim, 3 Drawing Sheets**



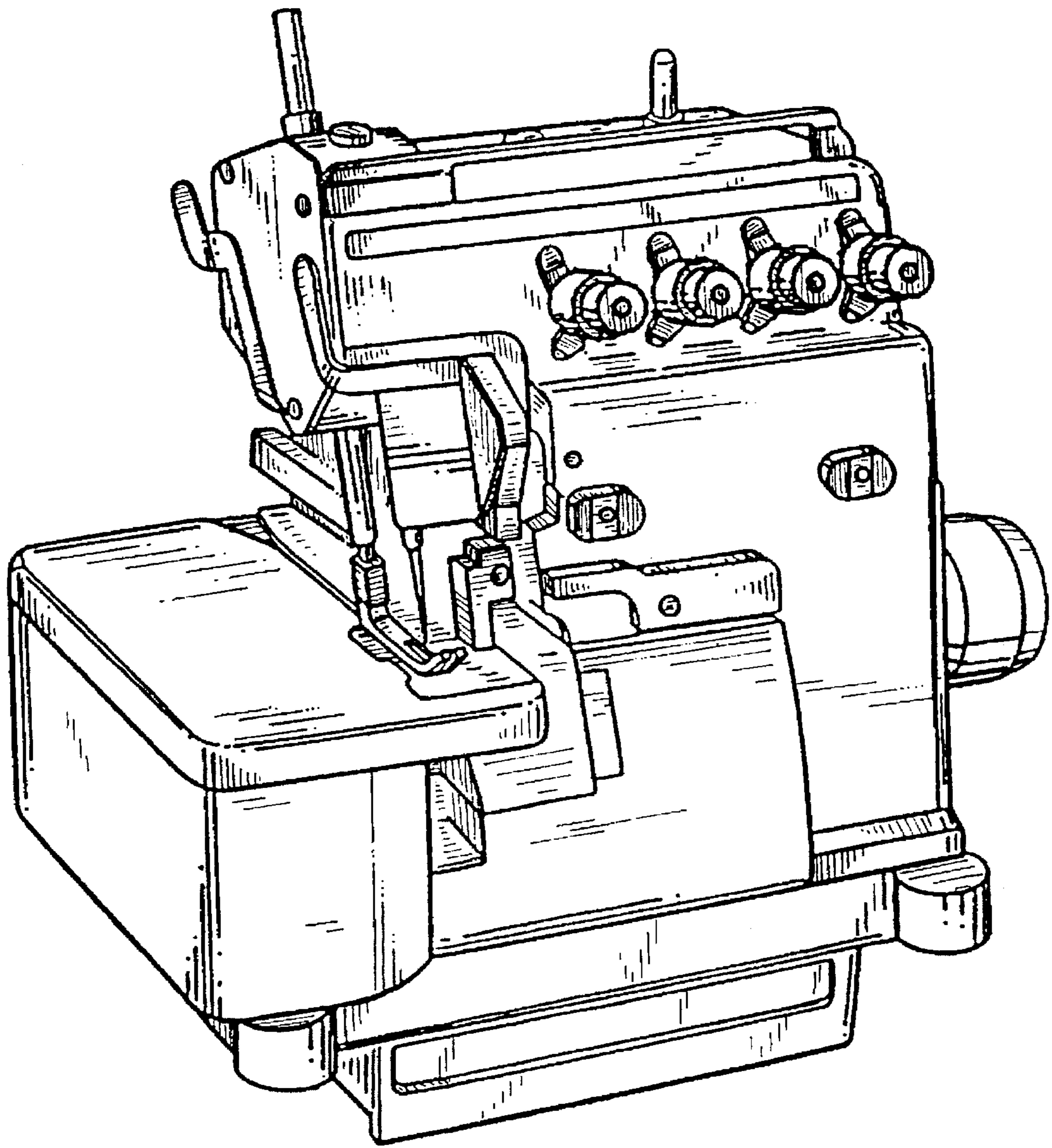


FIG. 1

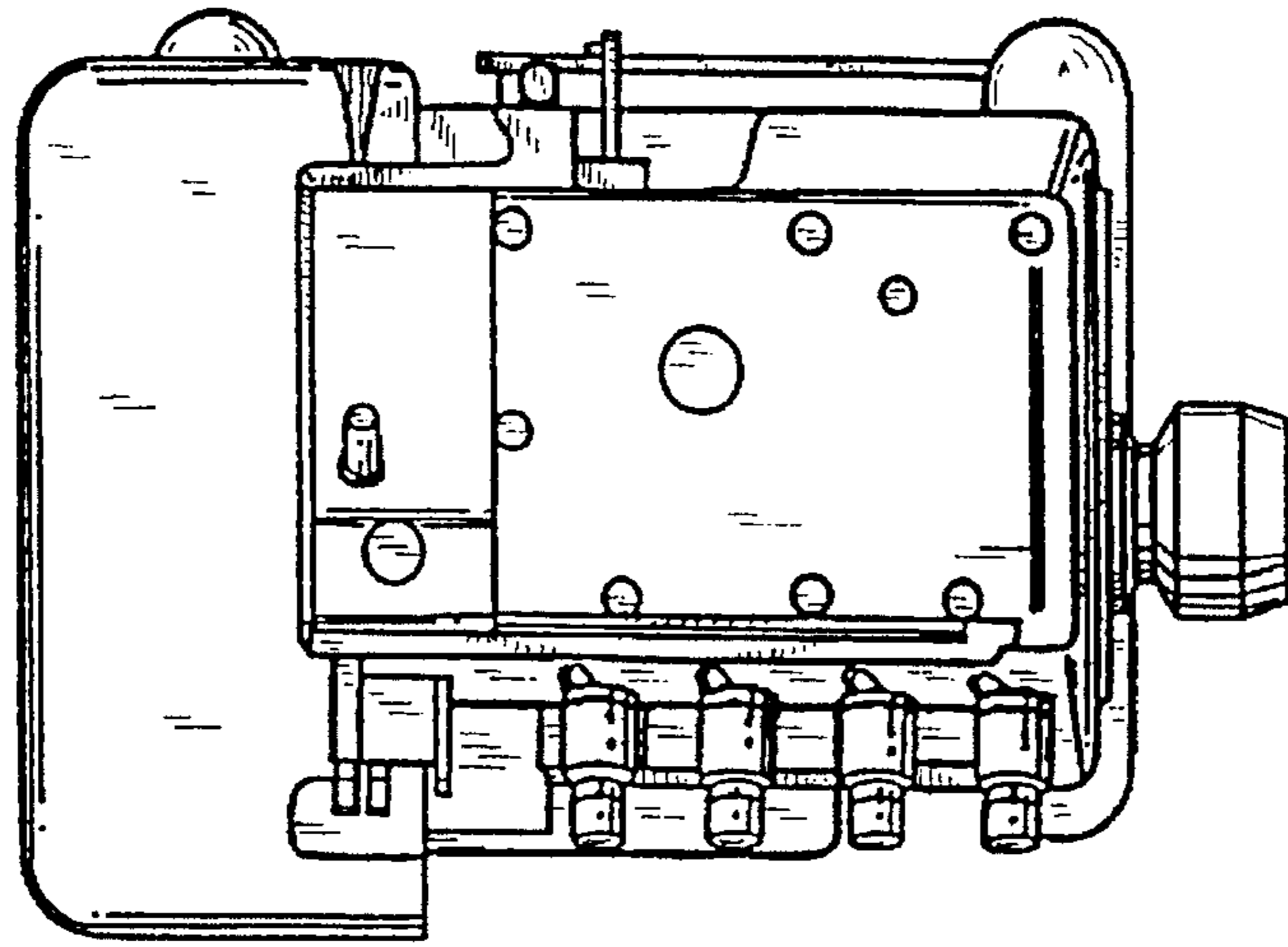


FIG. 2

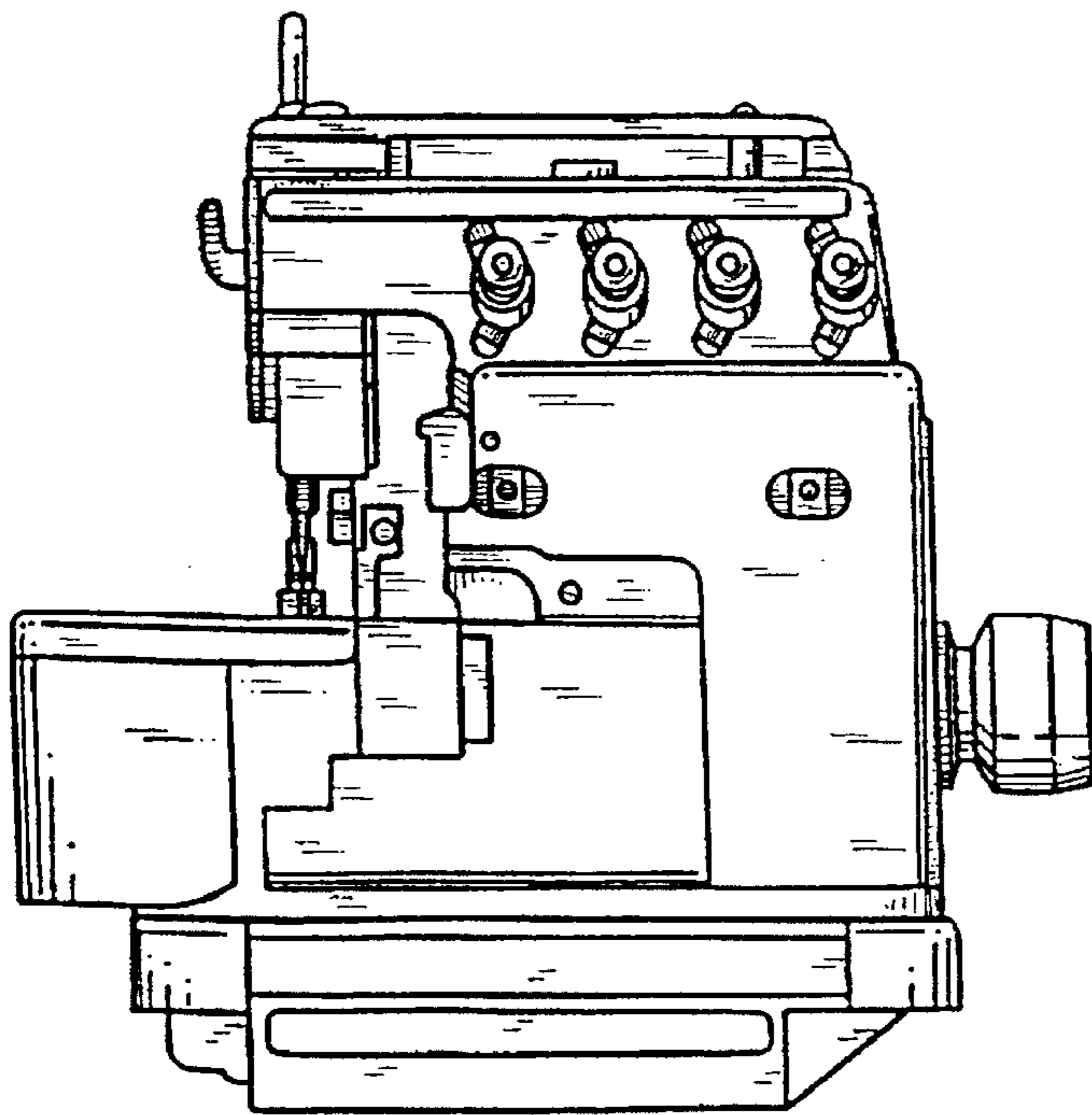


FIG. 3

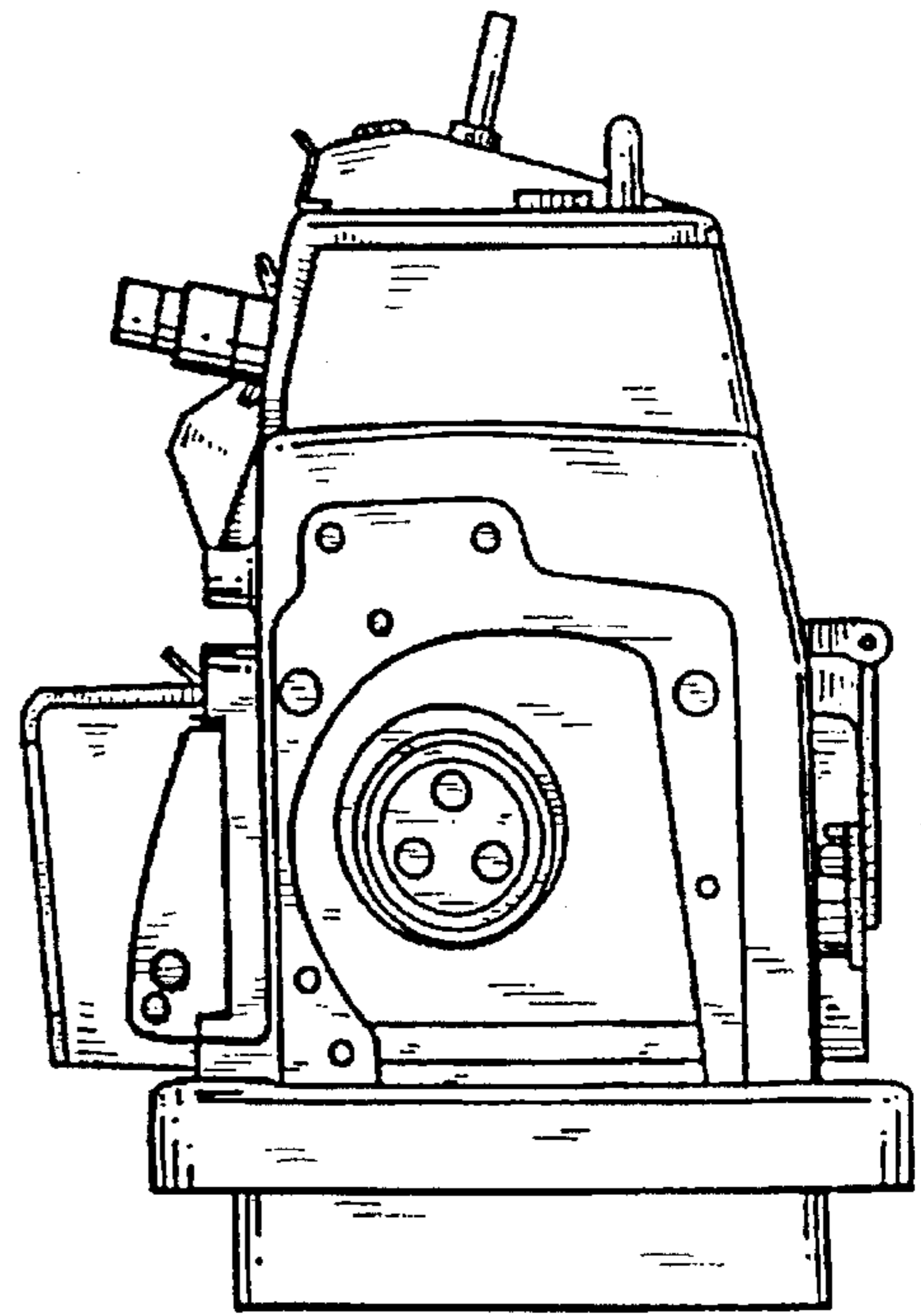


FIG. 4

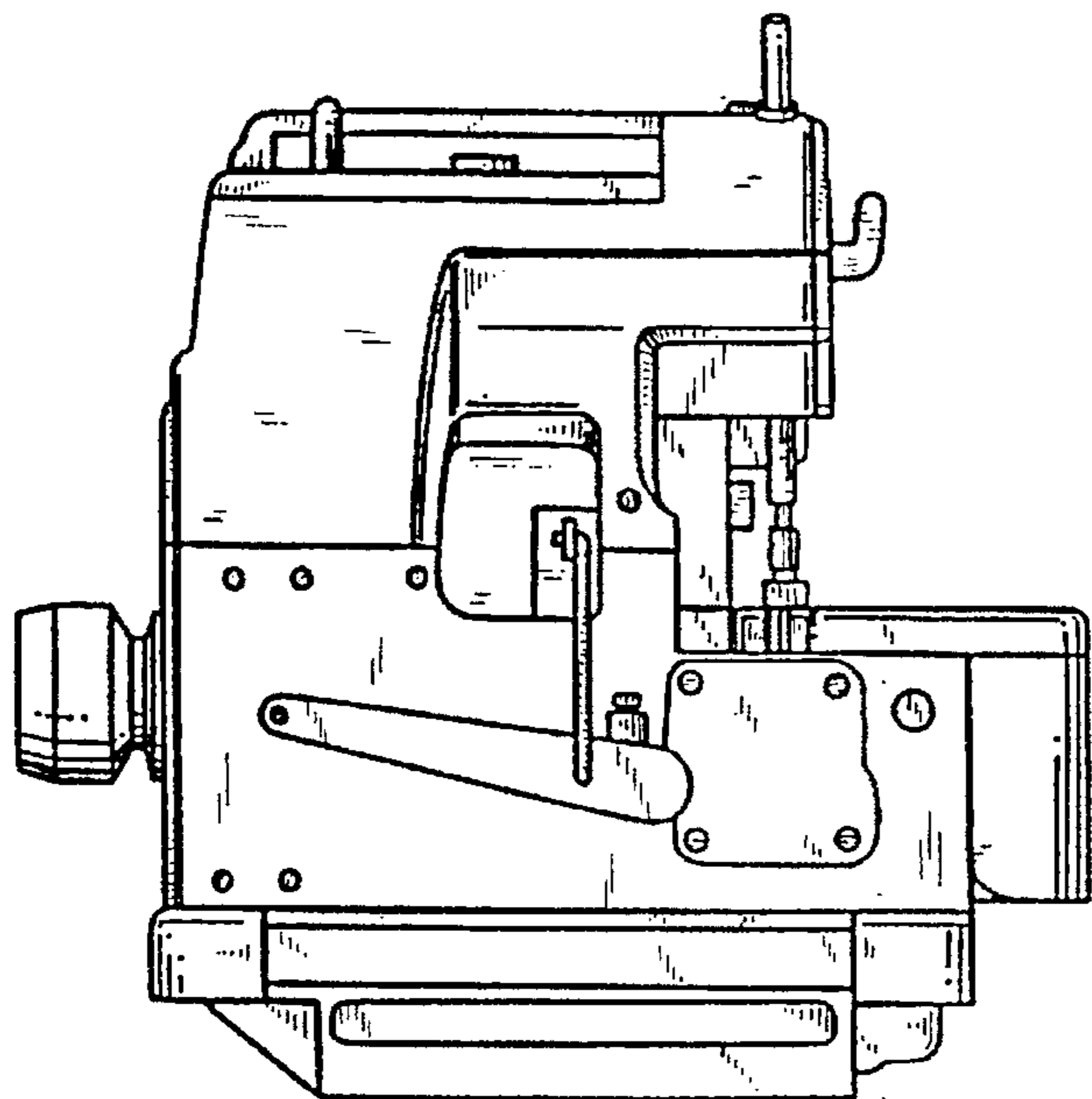


FIG. 5

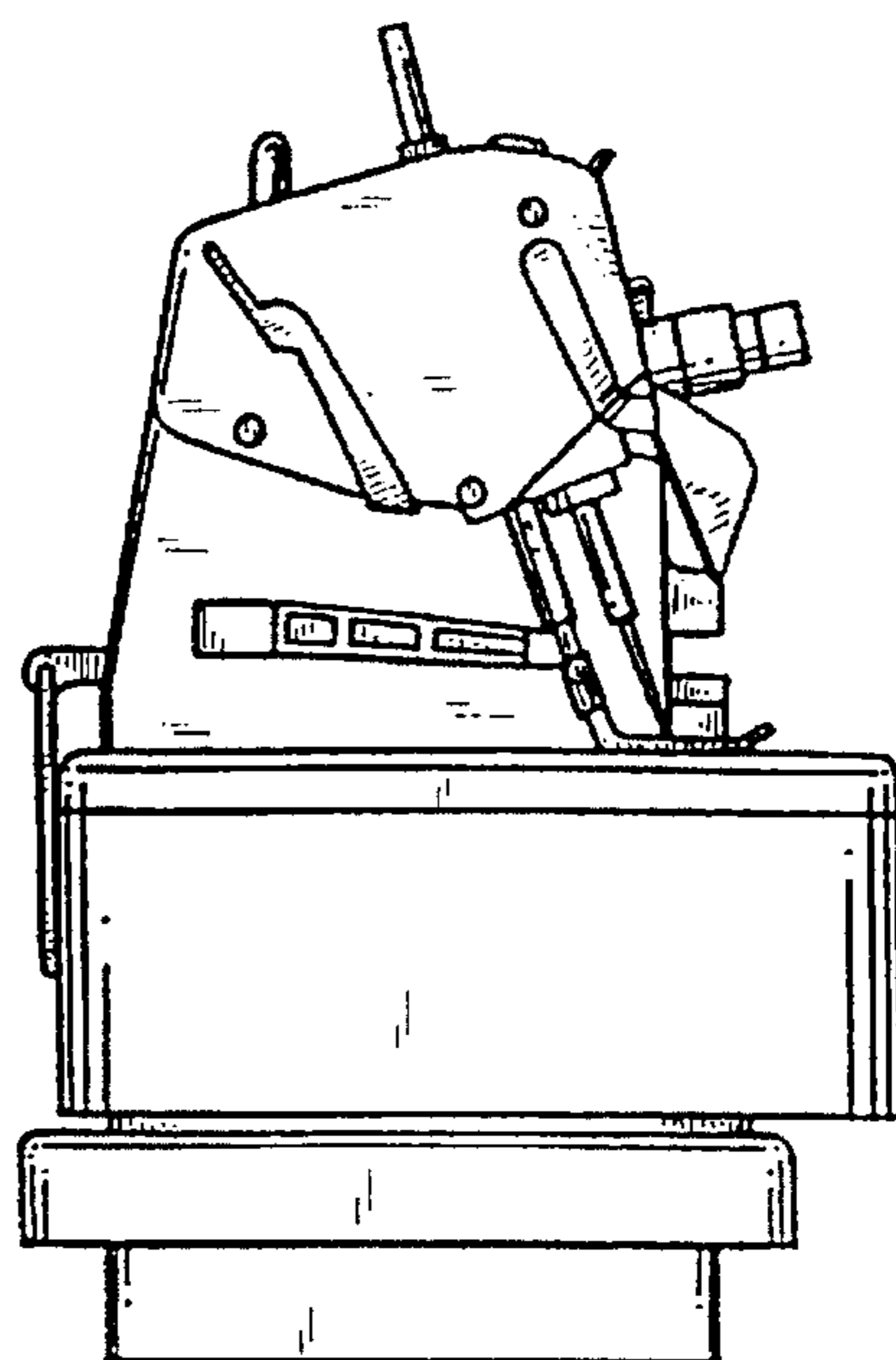


FIG. 6

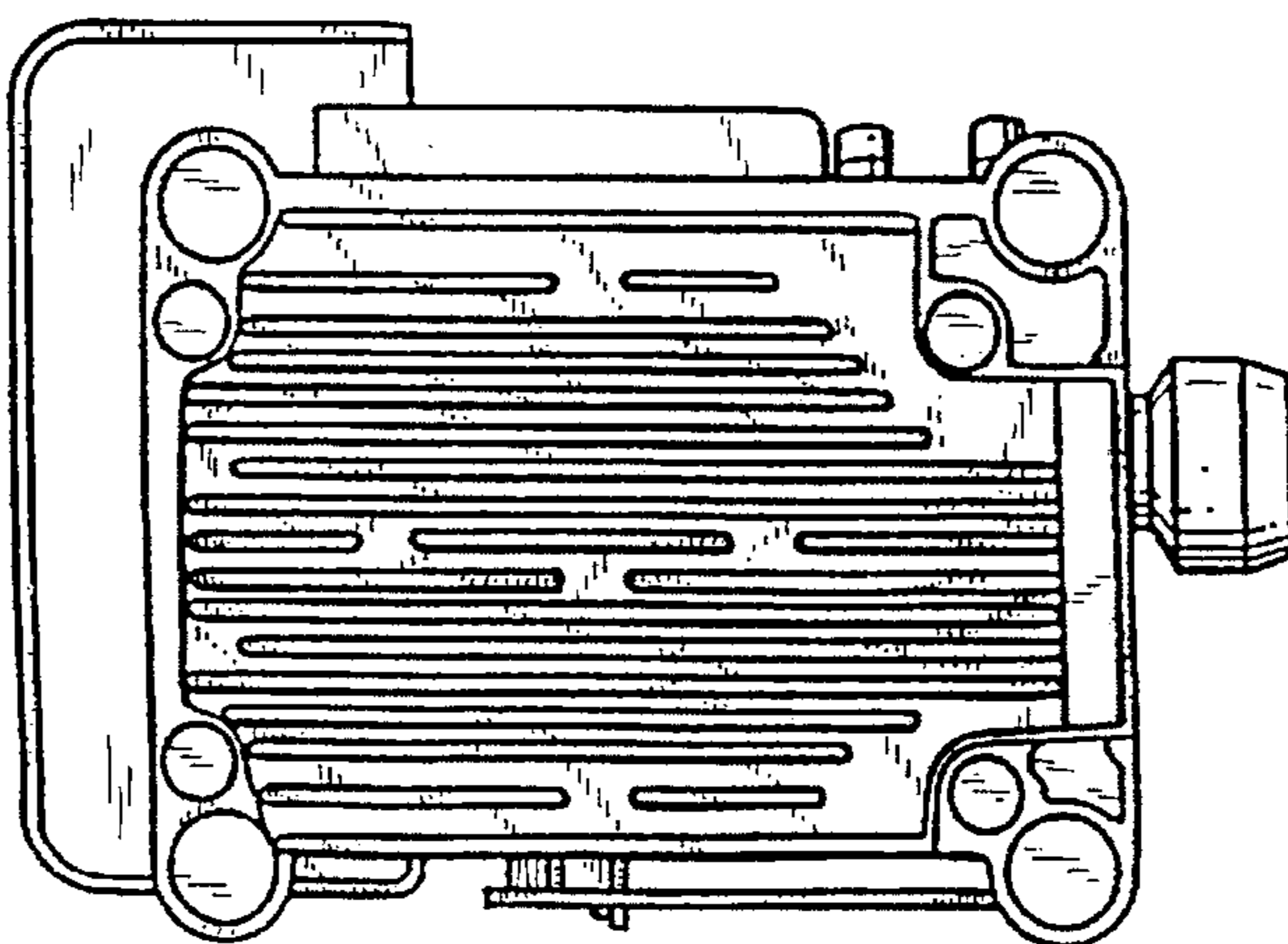


FIG. 7