



US00D382279S

United States Patent [19]

[11] Patent Number: **Des. 382,279**

Goebert et al.

[45] Date of Patent: ****Aug. 12, 1997**

[54] OUTER SURFACE OF A GRILL

[75] Inventors: **Barry Joseph Goebert**, Beaver Dam, Wis.; **Daniel Robert Nickles**, Hewitt; **William Edward Crookes**, Waldwick, both of N.J.

[73] Assignee: **Deere & Company**, Moline, Ill.

[**] Term: **14 Years**

[21] Appl. No.: **41,544**

[22] Filed: **Jul. 17, 1995**

[51] LOC (6) Cl. **15-03**

[52] U.S. Cl. **D15/31; D15/17**

[58] Field of Search **D15/10, 14-17, D15/22, 26, 28, 31; D12/163-165; 56/128, 134, 17.4-17.5, 202, 255, 294, 320.1, 320.2; 180/89.1, 89.12, 900**

[56] References Cited

U.S. PATENT DOCUMENTS

D. 287,711	1/1987	Stevens	D12/163
D. 311,543	10/1990	Hardzinski et al.	D15/17
D. 352,723	11/1994	De Braal et al.	D12/163
D. 354,756	1/1995	Hinklin	D15/15
D. 365,578	12/1995	Westimayer et al.	D12/163
4,969,533	11/1990	Holm et al.	180/273
5,193,636	3/1993	Holm	180/68.1

OTHER PUBLICATIONS

MTD Products Inc., brochure entitled "Lawn Flite '84 Lawn Tractor", 1 page, dated 1983, published in the U.S.A.

Yamaha, Yamaha Outdoor Power Division, "Yamaha YT3600", 2 pages, dated 1989, published in the U.S.A.

Palmor Products, brochure entitled "Trac Vac Residential Lawn Care Equipment", 6 pages, dated 1987, published in the U.S.A.

Ingersoll Equipment Co., Inc., brochure entitled "Ingersoll Idriv Yard Tractors", 8 pages, dated 1987, published in the U.S.A.

Gravely International, brochure entitled "Gravely Riding Tractors", 12 pages, dated Jul. 1994, published in the U.S.A.

Primary Examiner—Sandra L. Morris

[57] CLAIM

The ornamental design for an outer surface of a grill, as shown and described.

DESCRIPTION

FIG. 1 is an elevated right front perspective view of the outer surface of a grill, showing our new design; FIG. 2 is a front view of our new design; FIG. 3 is a right side view thereof; and, FIG. 4 is is left side view thereof.

1 Claim, 4 Drawing Sheets

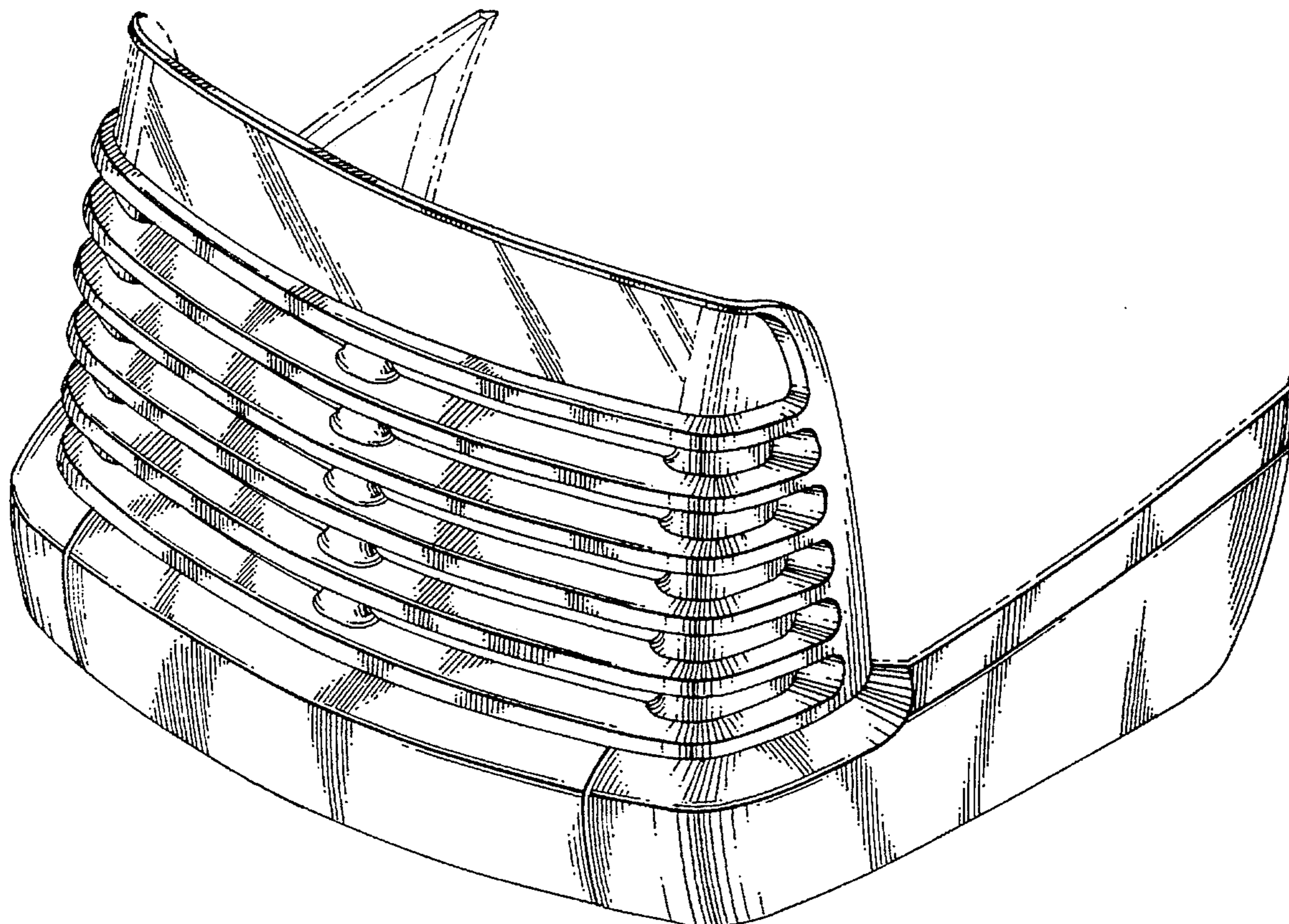


Fig. 1

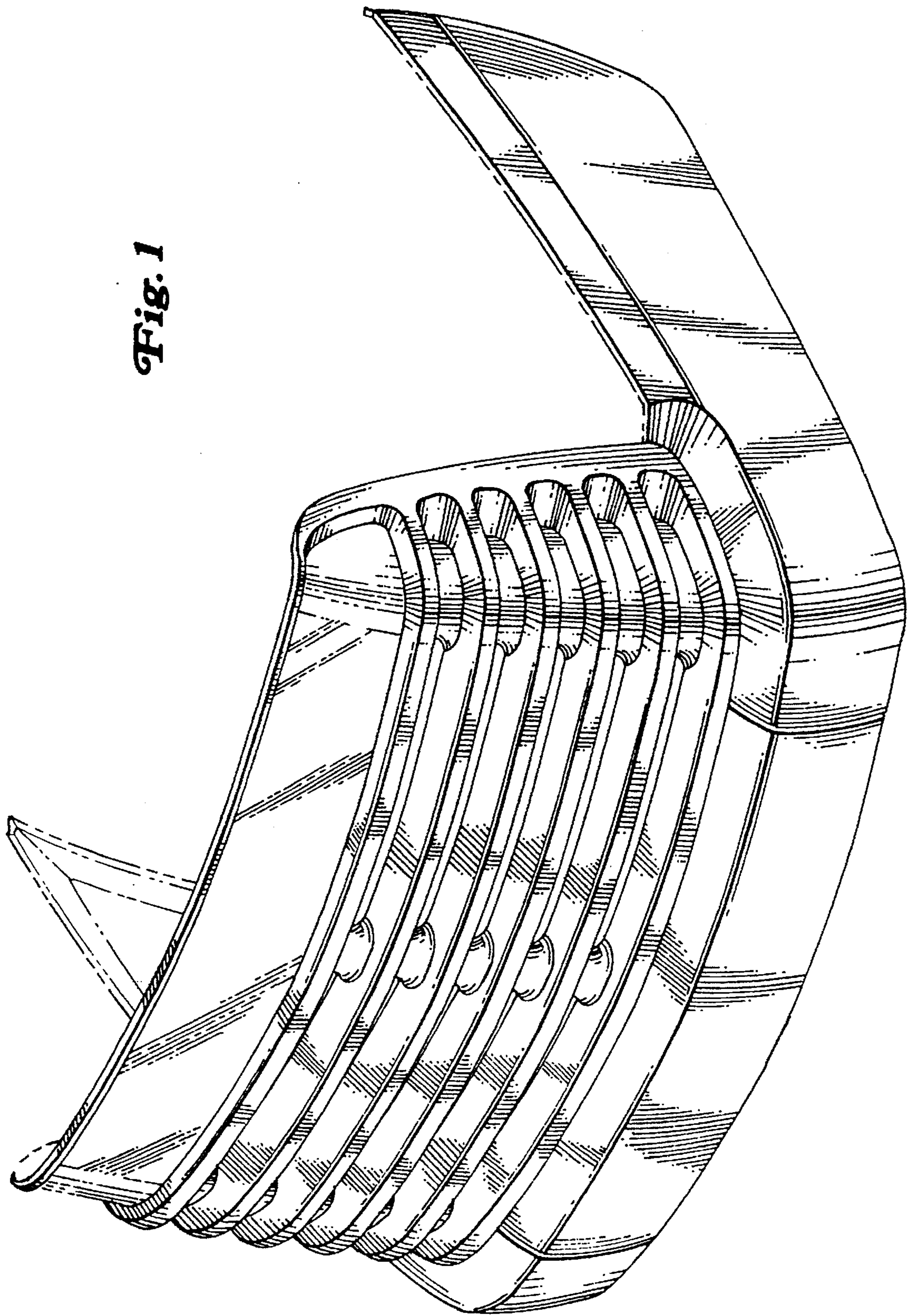


Fig. 2

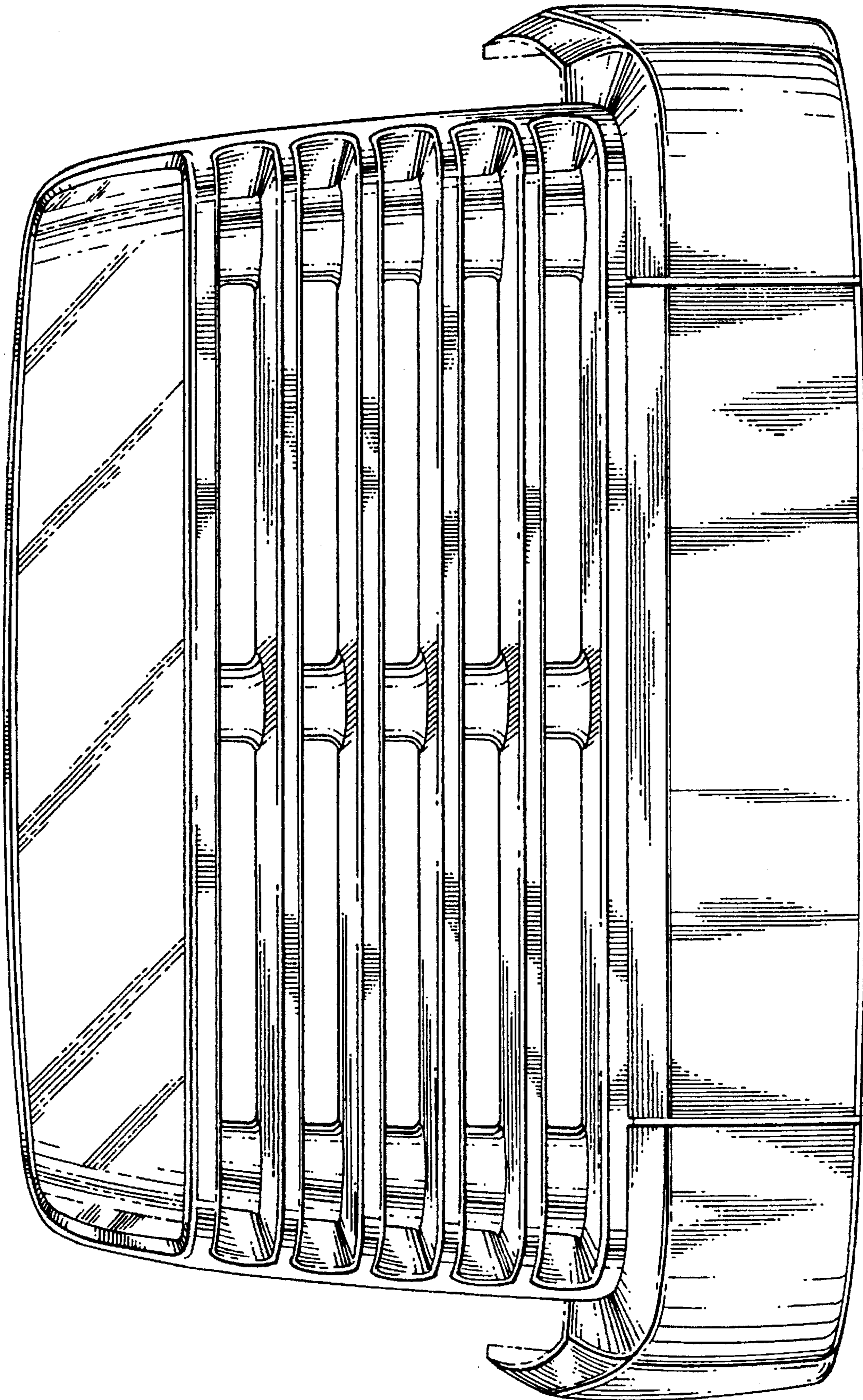
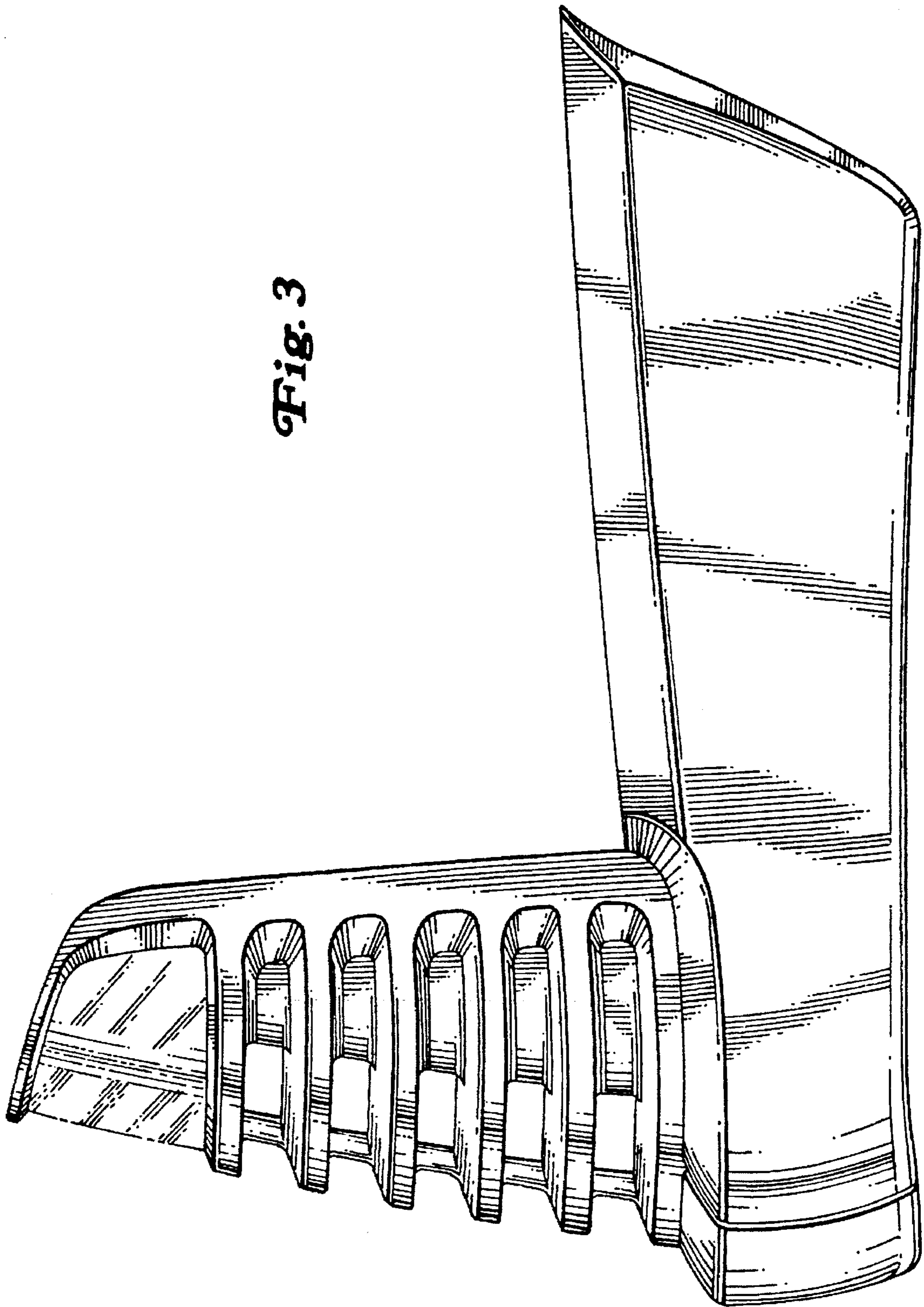


Fig. 3



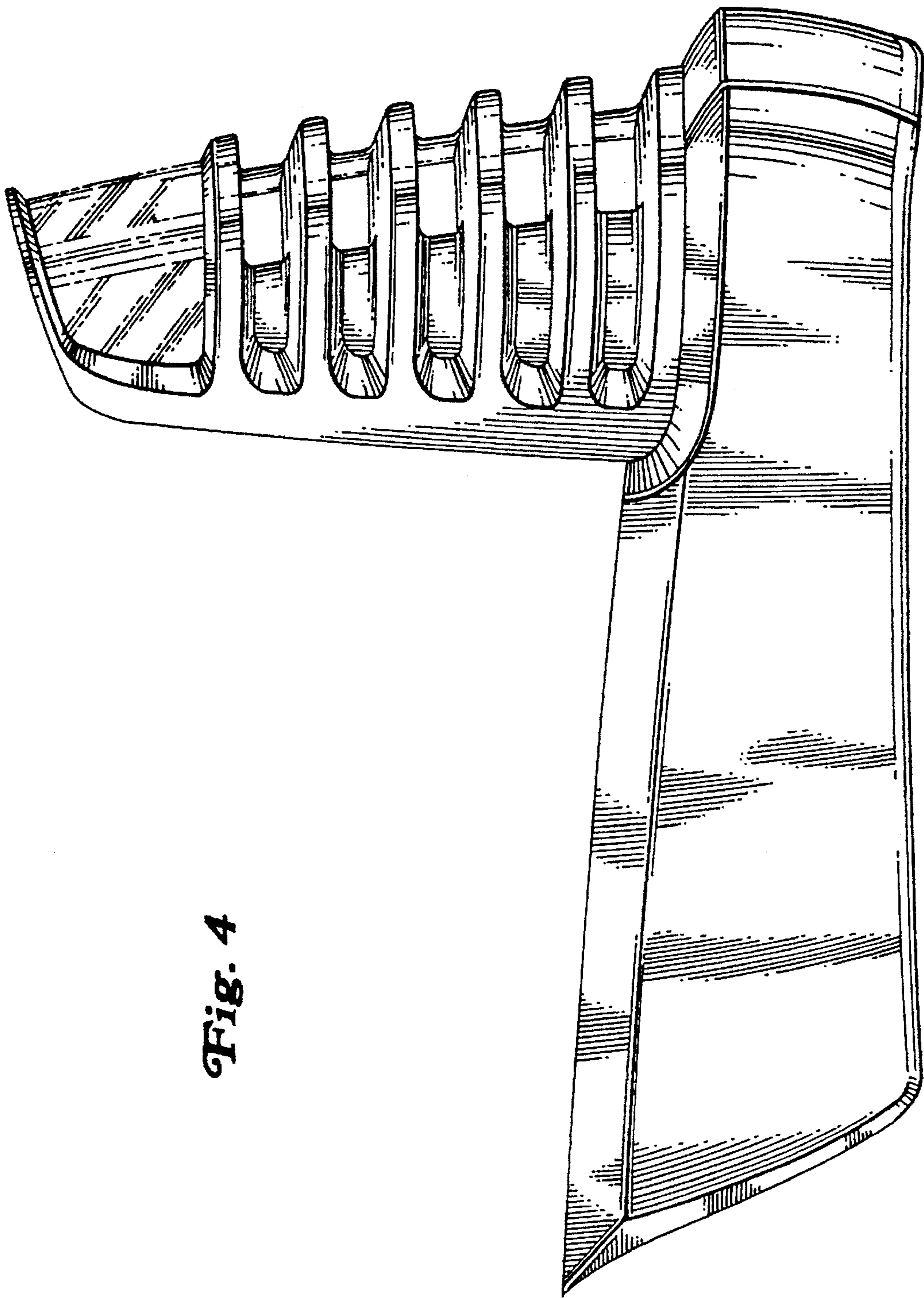


Fig. 4