



US00D382277S

# United States Patent [19]

[11] Patent Number: **Des. 382,277**

Feitel et al.

[45] Date of Patent: **\*\*Aug. 12, 1997**

## [54] DOUBLE DIAPHRAGM PUMP

D. 294,947 3/1988 Wilden ..... D15/7  
D. 331,412 12/1992 Wilden ..... D15/7

[75] Inventors: **Ann C. Feitel**, Minneapolis; **Joel T. Fisher**, St. Paul, both of Minn.

*Primary Examiner*—Ralf Seifert  
*Attorney, Agent, or Firm*—Douglas B. Farrow

[73] Assignee: **Graco Inc.**, Minneapolis, Minn.

### [57] CLAIM

[\*\*] Term: **14 Years**

The ornamental design for the double diaphragm pump, as shown and described.

[21] Appl. No.: **50,196**

### DESCRIPTION

[22] Filed: **Feb. 12, 1996**

FIG. 1 is a front elevation view of the double diaphragm pump;

[51] LOC (6) Cl. .... **15-02**

[52] U.S. Cl. .... **D15/7**

[58] Field of Search ..... D15/7-9.2; 417/393-397, 417/454, 3; 92/128, 98 R; 418/76

FIG. 2 is a rear elevation view thereof;

FIG. 3 is a left side elevation view thereof and is a mirror image of the right side;

FIG. 4 is a top plan view thereof;

FIG. 5 is a bottom plan view thereof; and,

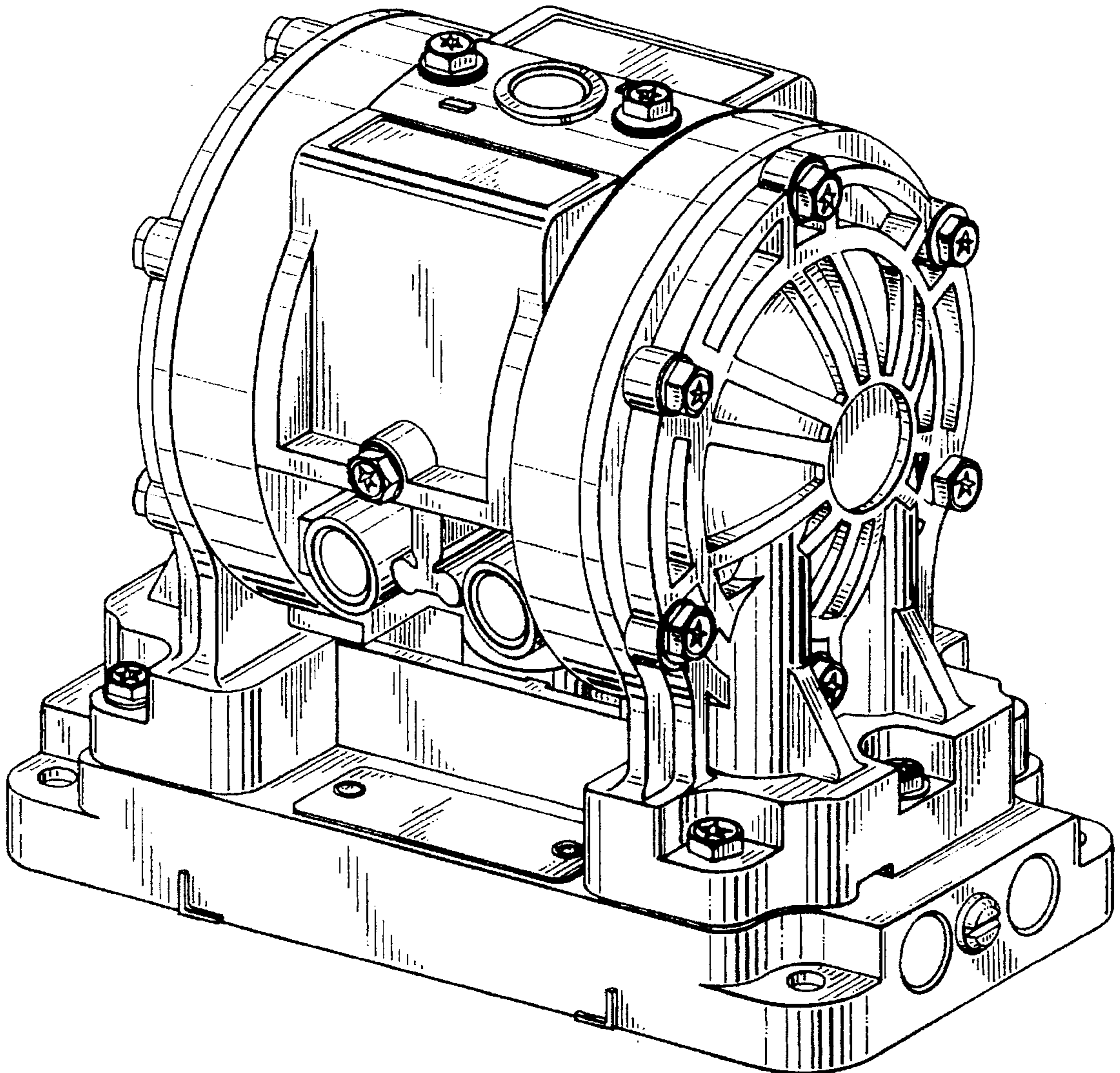
FIG. 6 is a front perspective view thereof.

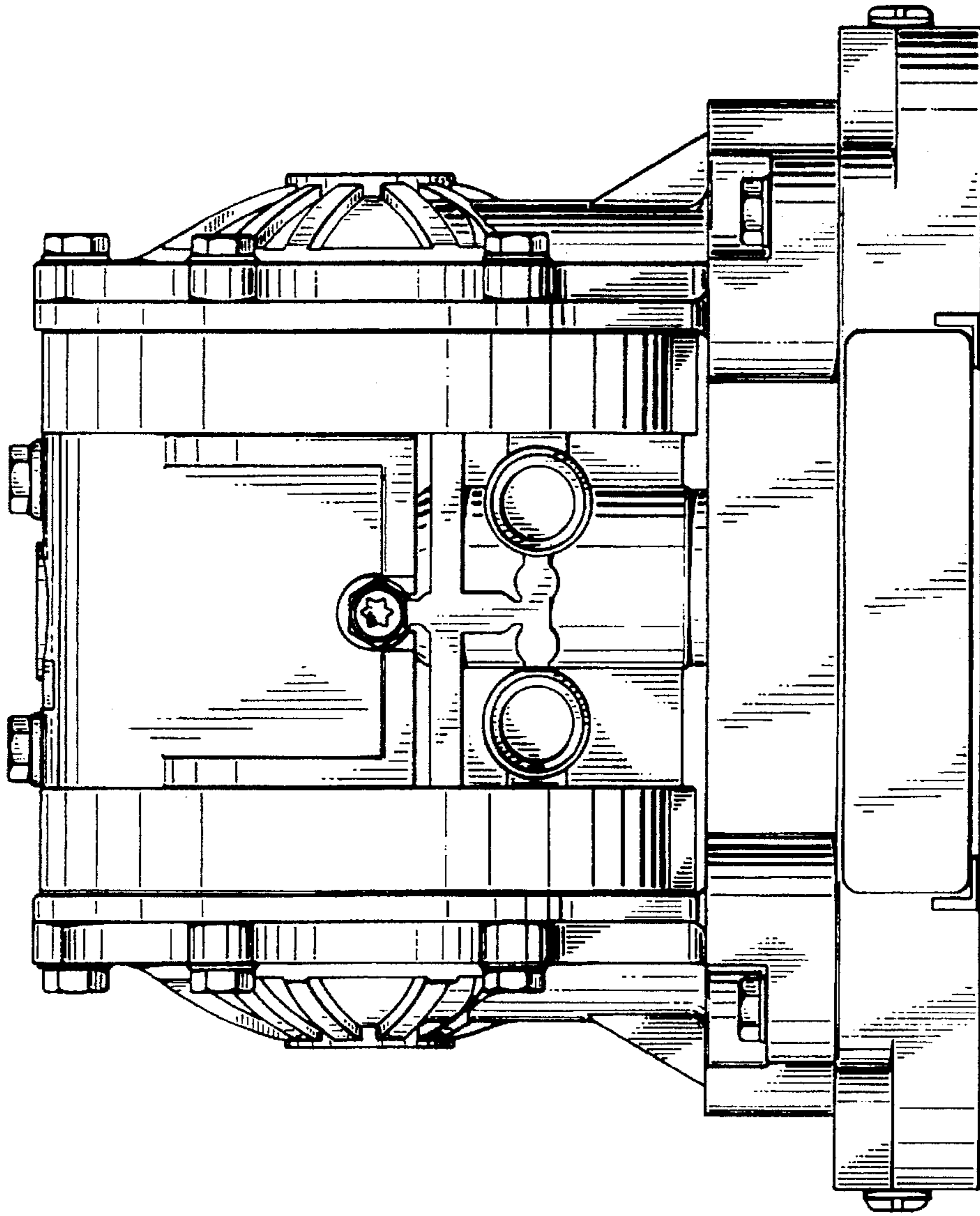
### [56] References Cited

#### U.S. PATENT DOCUMENTS

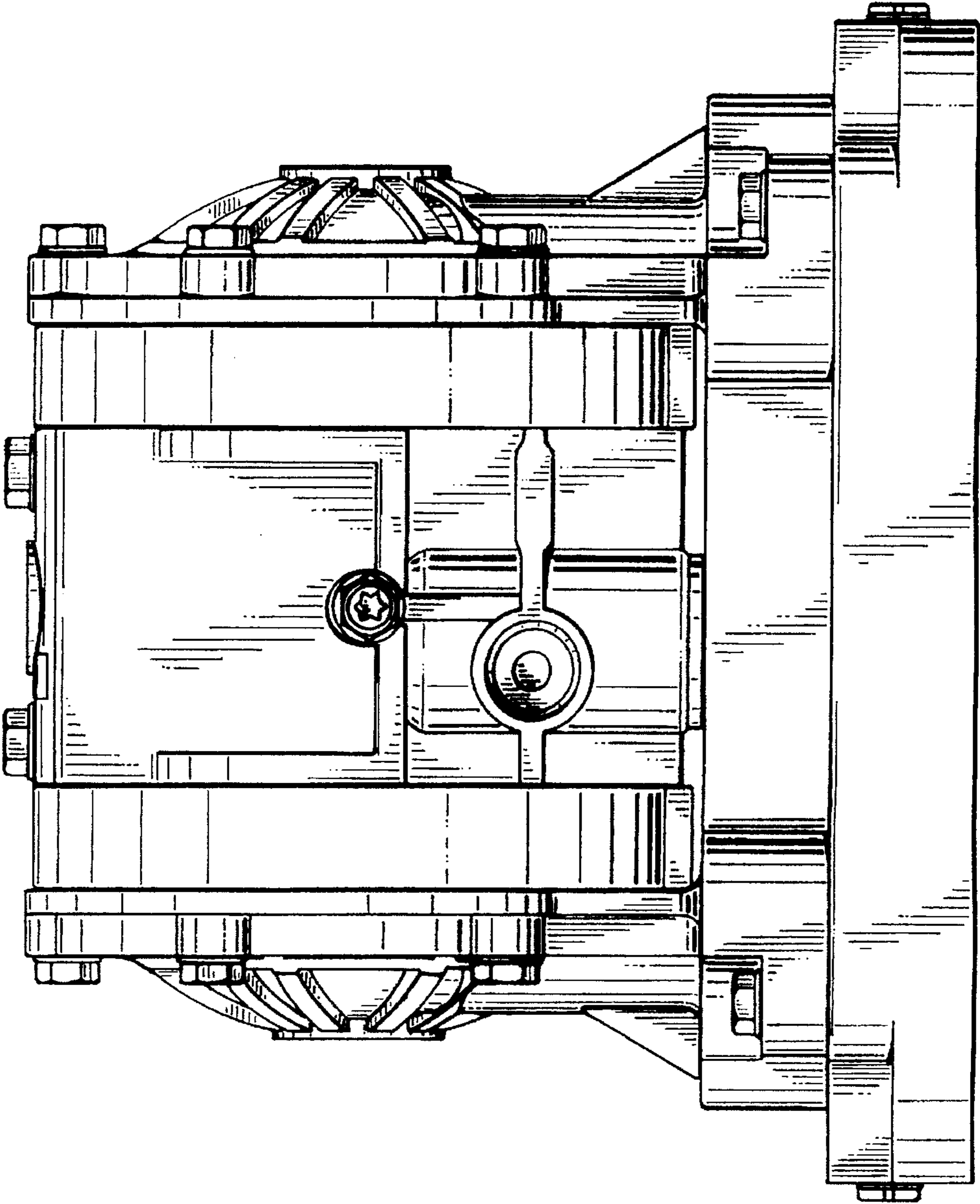
D. 275,858 10/1984 Wilden ..... D15/7

**1 Claim, 4 Drawing Sheets**

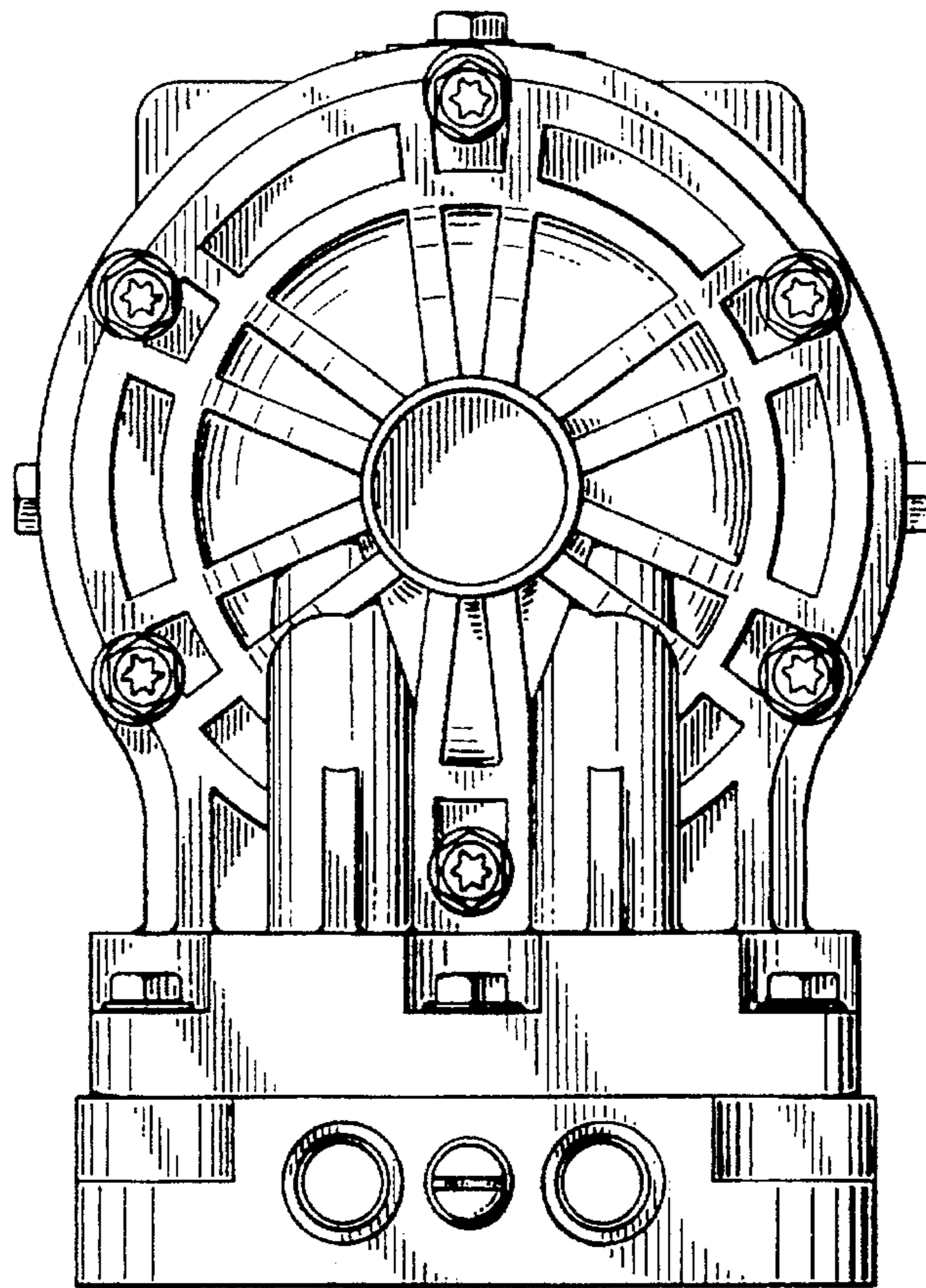




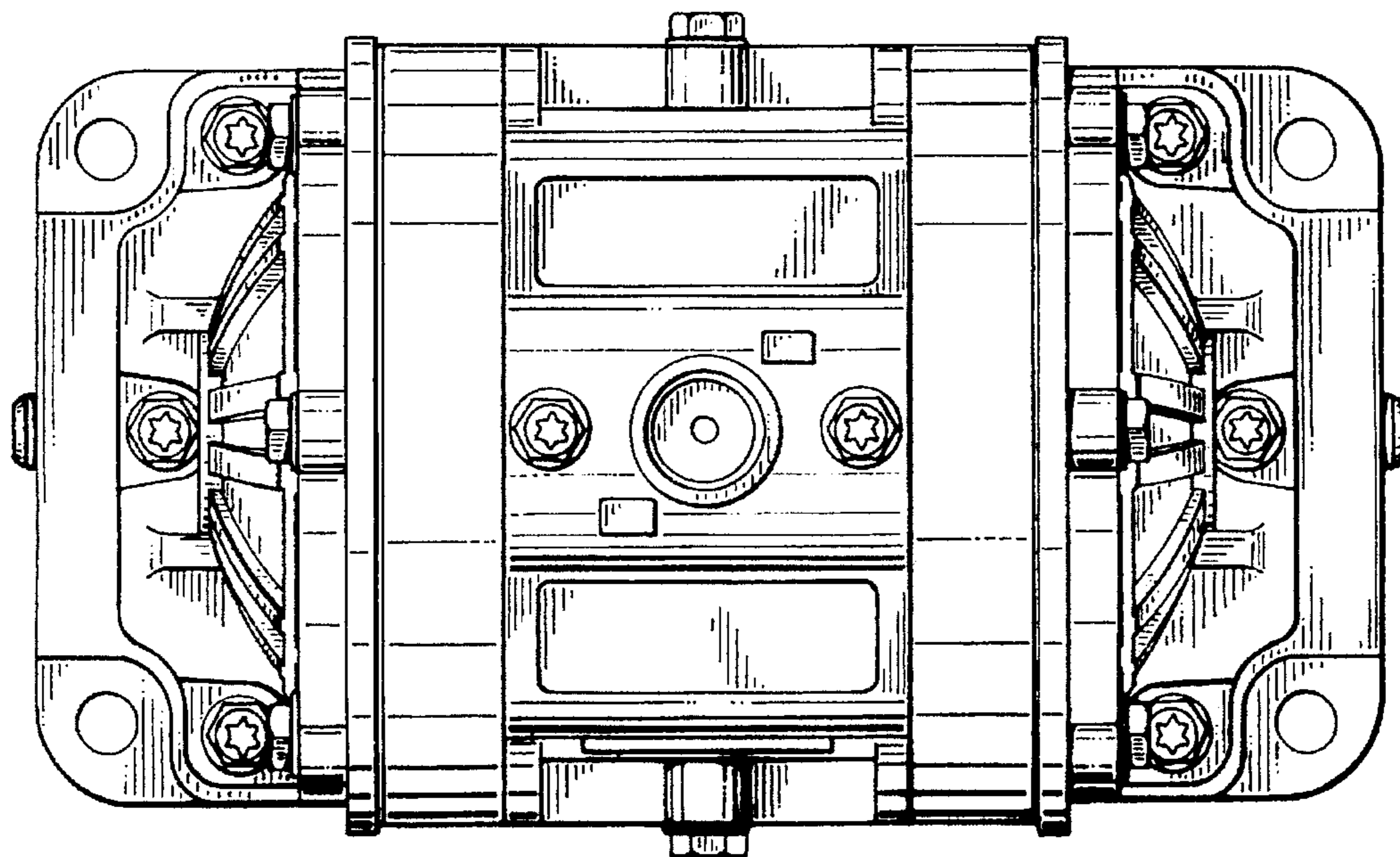
*Fig. 1*



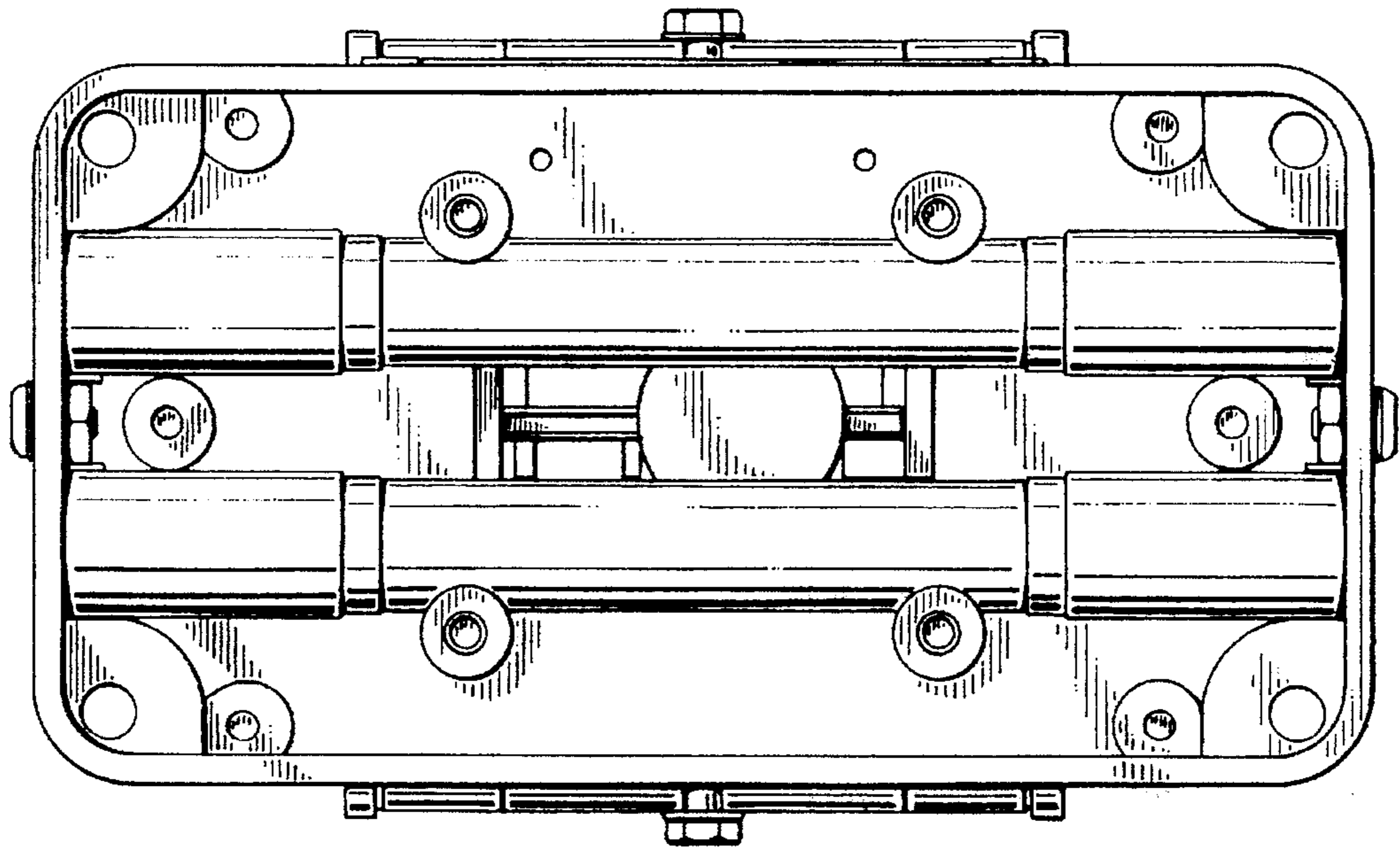
*Fig. 2*



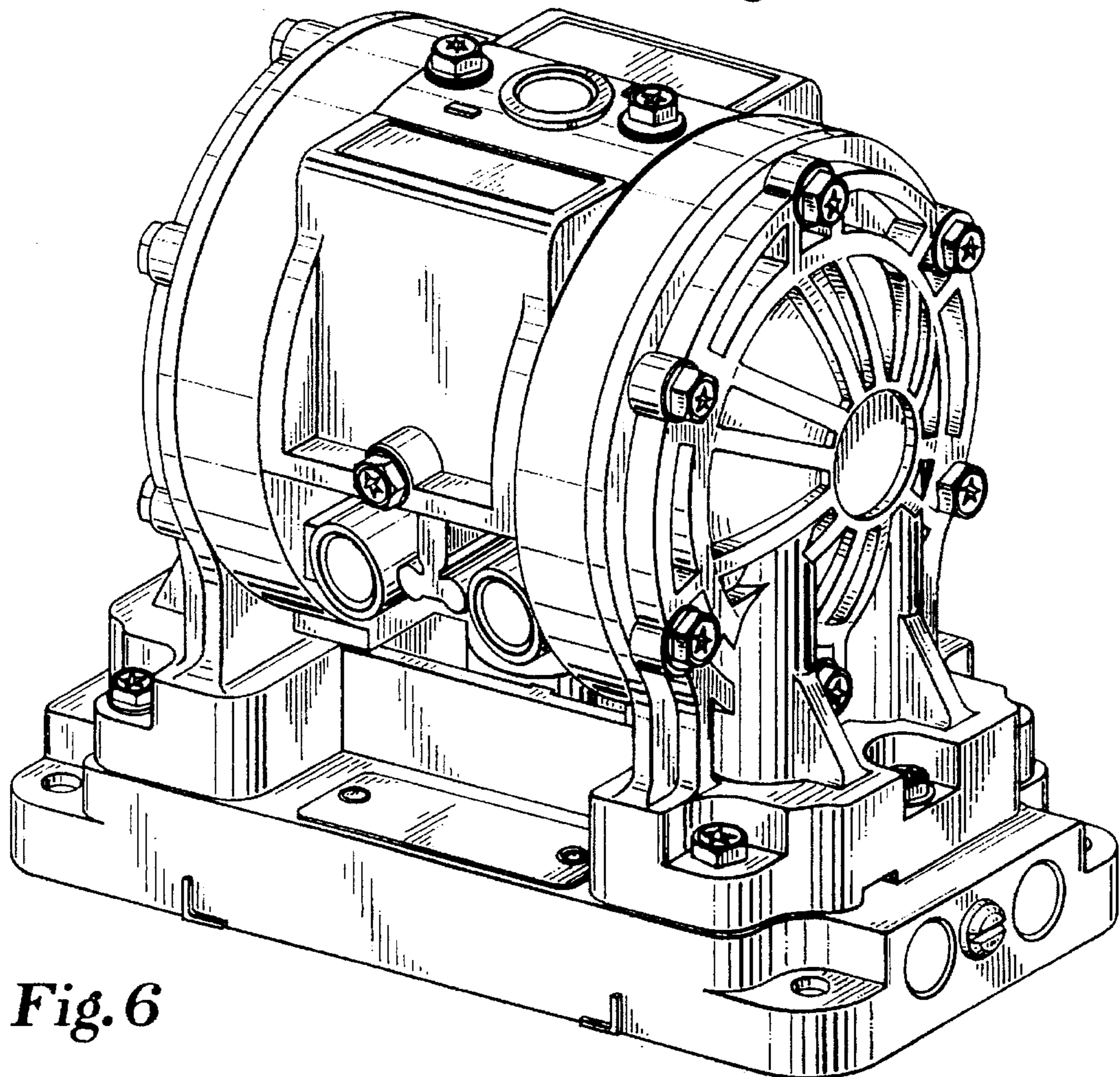
*Fig. 3*



*Fig. 4*



*Fig. 5*



*Fig. 6*