



US00D382273S

# United States Patent [19]

Fraser

[11] Patent Number: Des. 382,273

[45] Date of Patent: \*\*Aug. 12, 1997

[54] ACOUSTIC TELEPHONE

[76] Inventor: James P. Fraser, 37188 Moravian, Clinton Township, Mich. 48036

[\*\*] Term: 14 Years

[21] Appl. No.: 51,381

[22] Filed: Mar. 8, 1996

[51] LOC (6) Cl. .... 14-03

[52] U.S. Cl. .... D14/248; D21/111

[58] Field of Search ..... D14/137, 138, D14/140, 142, 147-151, 240, 248; 379/419, 420, 428, 440, 433-436; D21/111

[56] **References Cited**

**U.S. PATENT DOCUMENTS**

- D. 85,679 12/1931 Weeber et al. .... D14/147
- D. 276,609 12/1984 Schwartz ..... 379/434 X
- D. 279,673 7/1985 Rivette et al. .... D14/147

Primary Examiner—Jeffrey Asch

Attorney, Agent, or Firm—Katz & Cotton, LLP

[57] **CLAIM**

The ornamental design for acoustic telephone, as shown and described.

**DESCRIPTION**

FIG. 1 is a perspective view of the acoustic telephone showing my design substantially extended;

FIG. 2 is a perspective view of the acoustic telephone showing my design substantially compressed;

FIG. 3 is a front view of the acoustic telephone design substantially extended;

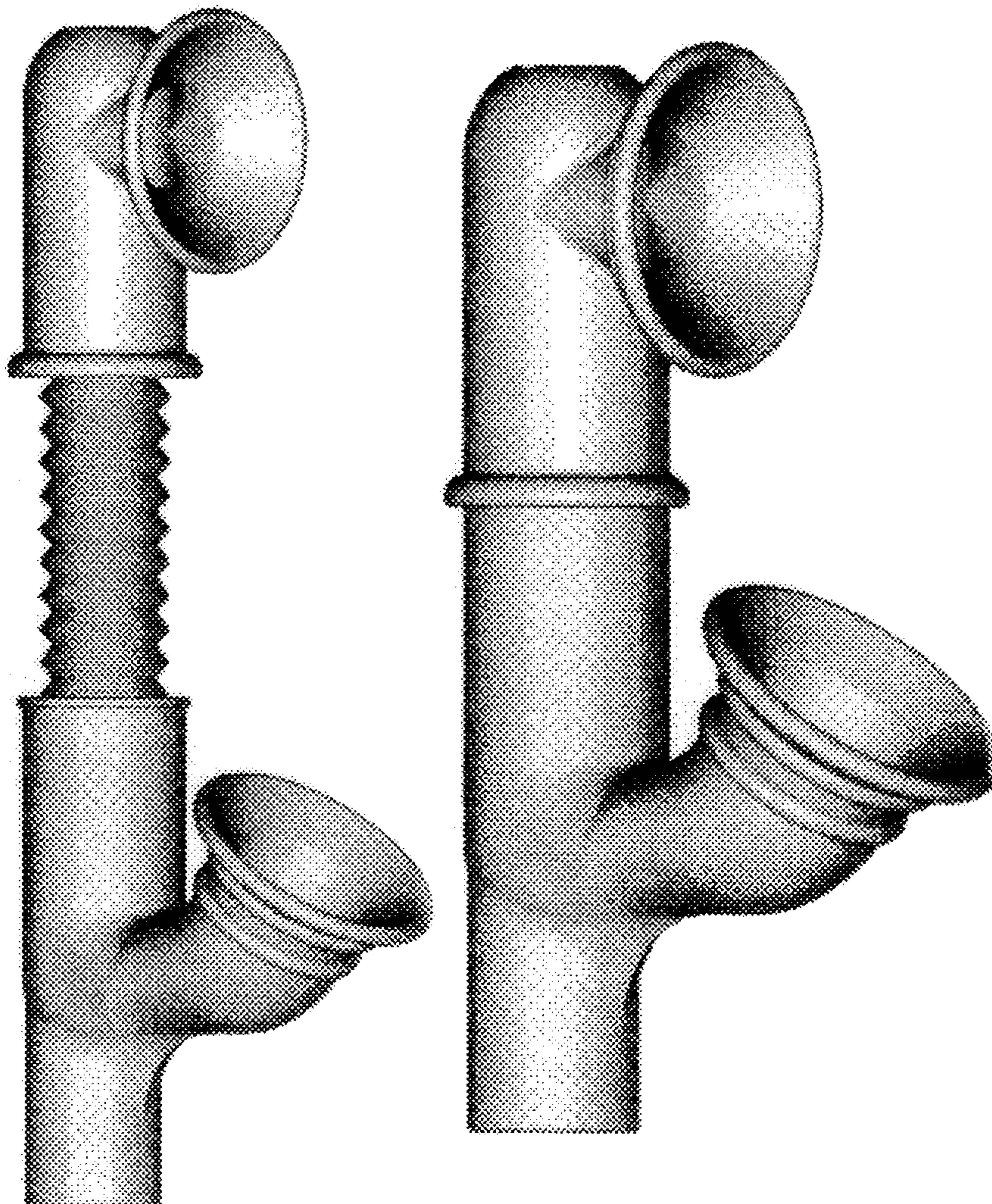
FIG. 4 is a front view of the acoustic telephone design substantially compressed;

FIG. 5 is a side view of the acoustic telephone design substantially extended;

FIG. 6 is a side view of the acoustic telephone design substantially compressed;

FIG. 7 is a top view of the acoustic telephone design; and, FIG. 8 is a bottom view of the acoustic telephone design.

1 Claim, 5 Drawing Sheets



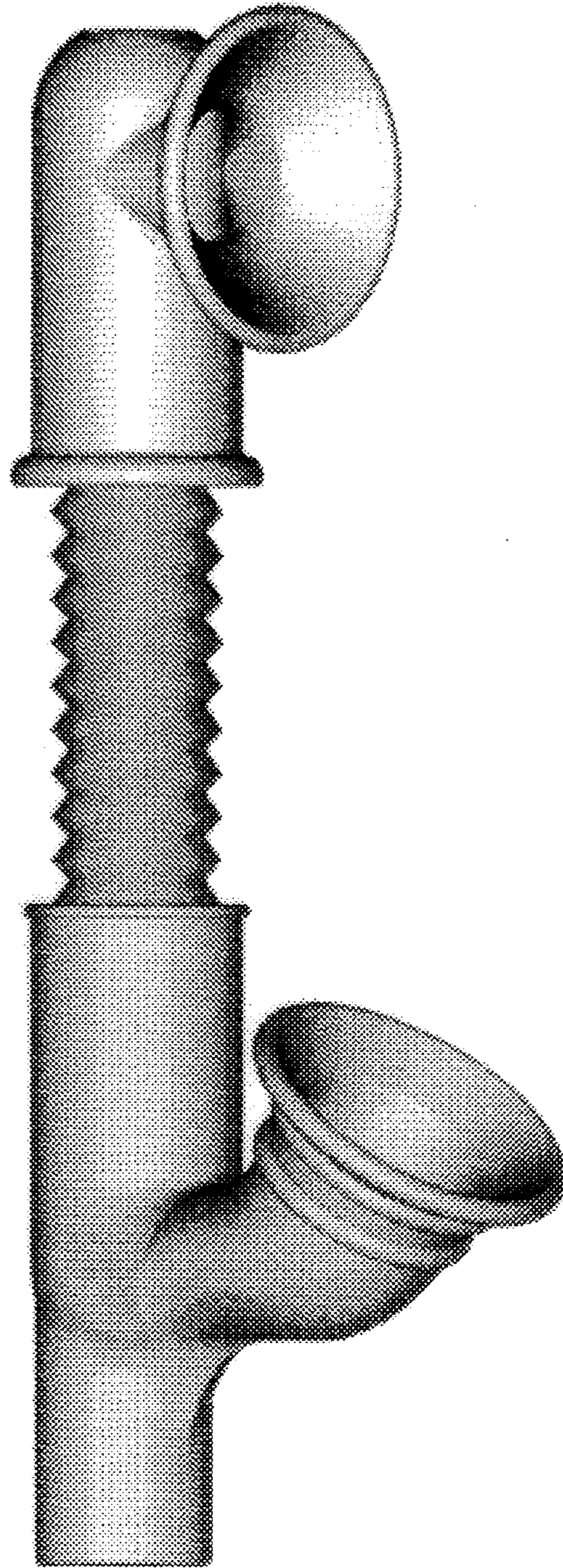


FIGURE 1

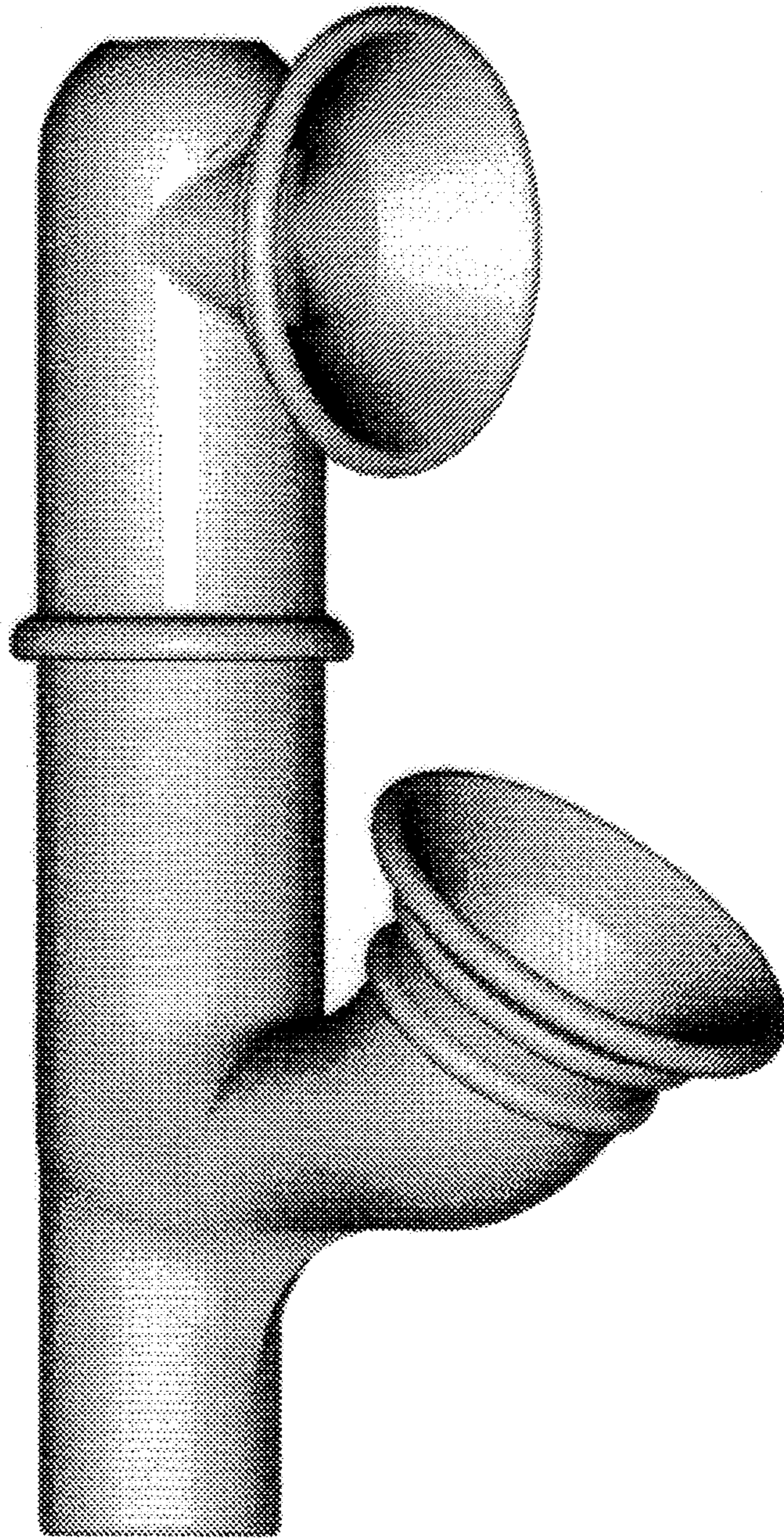


FIGURE 2

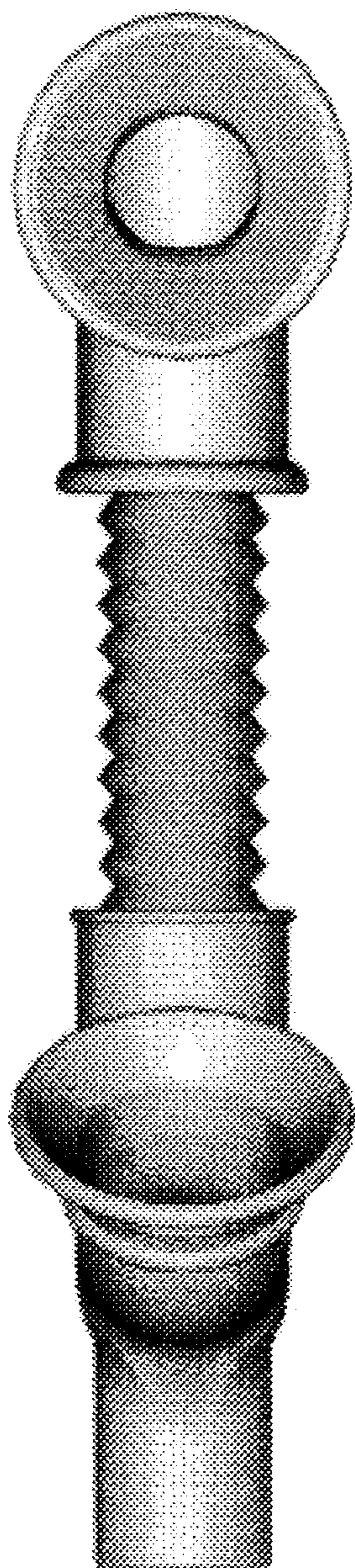


FIGURE 3

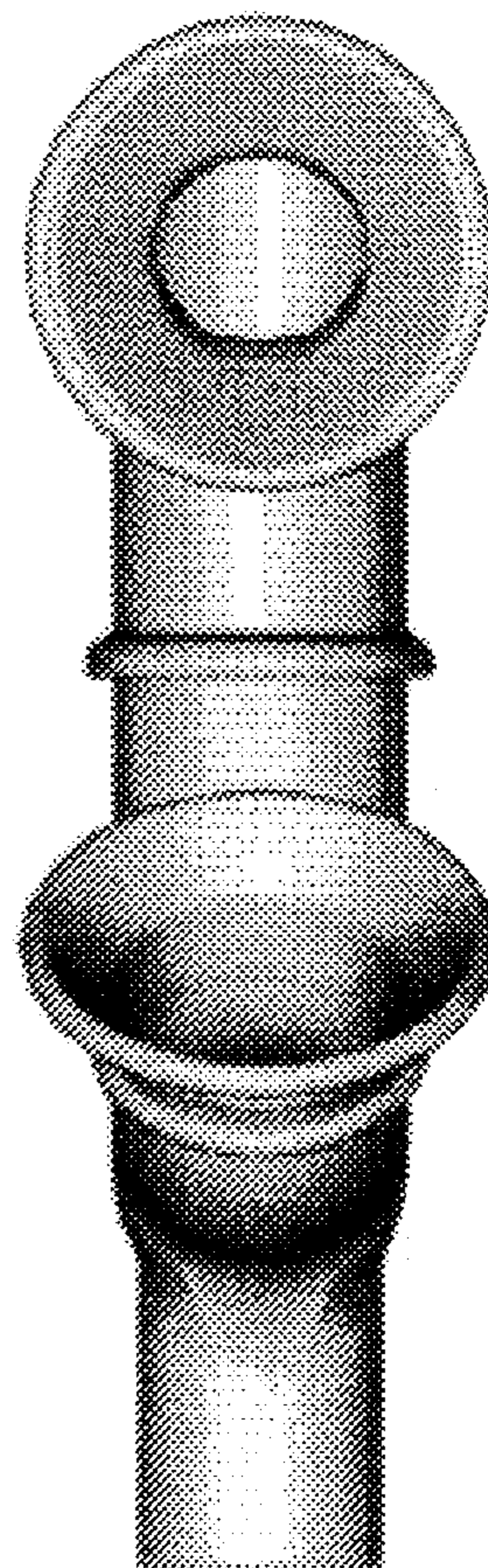


FIGURE 4

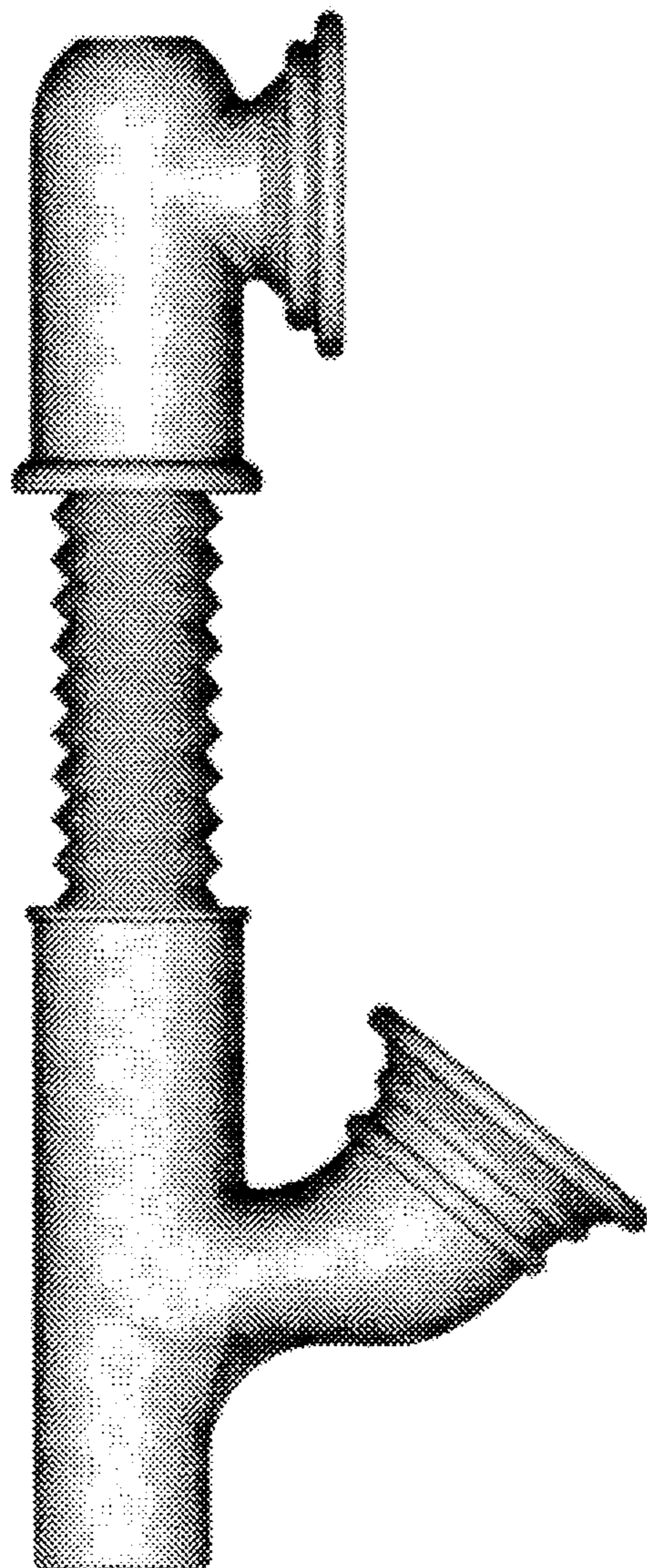


FIGURE 5

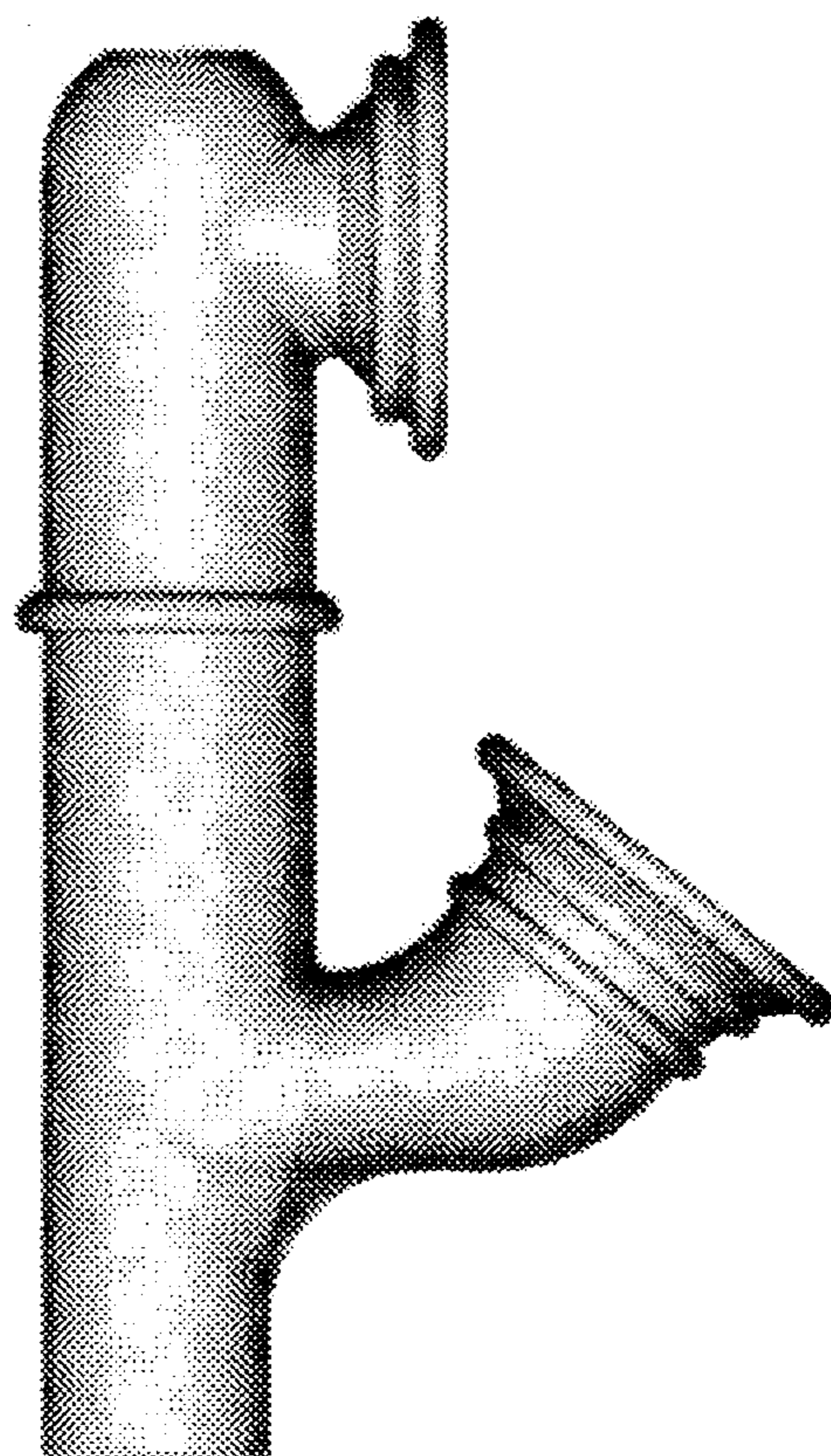


FIGURE 6

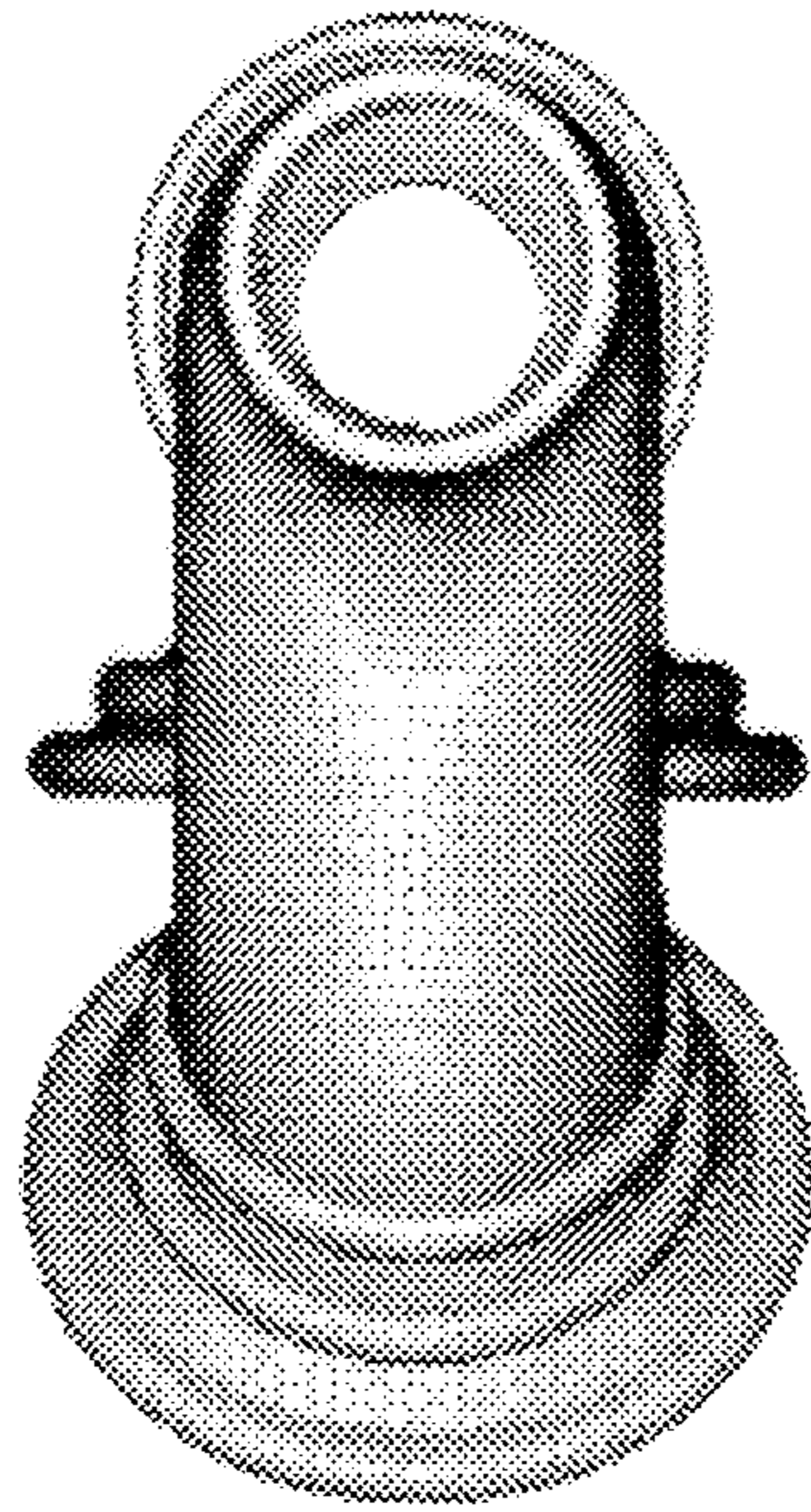


FIGURE 7

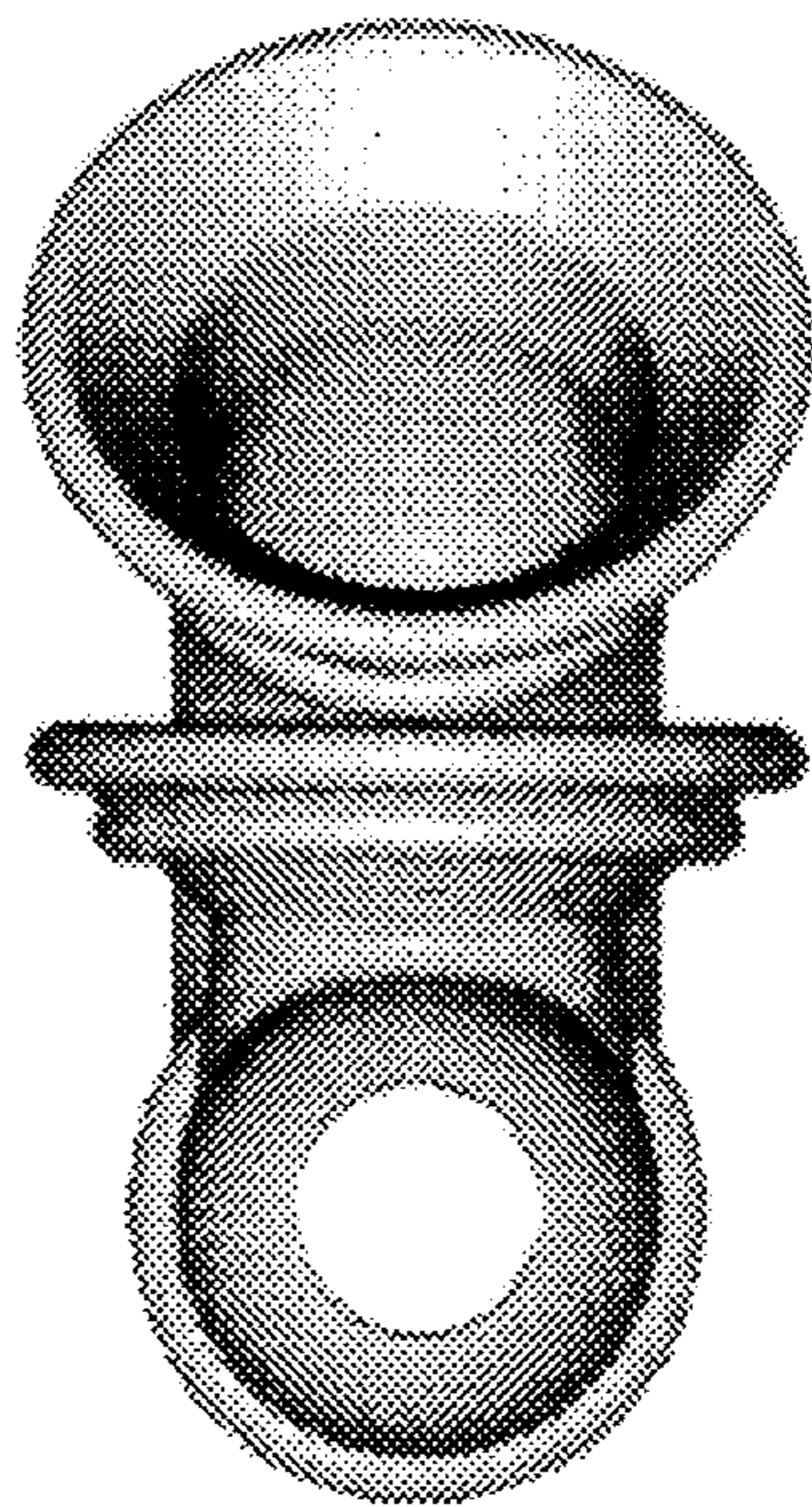


FIGURE 8