



US00D382264S

United States Patent [19]

Sacchetti

[11] Patent Number: **Des. 382,264**

[45] Date of Patent: ****Aug. 12, 1997**

[54] **DUAL TELEPHONE BASE**

[76] Inventor: **Mark J. Sacchetti**, Dinsmore Lodge,
State Highway 36, Dinsmore, Calif.
95526

[**] Term: **14 Years**

[21] Appl. No.: **46,496**

[22] Filed: **Nov. 16, 1995**

[51] LOC (6) Cl. **14-03**

[52] U.S. Cl. **D14/145**

[58] Field of Search D13/107, 108;
D14/140, 142, 145, 149-151, 240, 241,
251, 253; 379/419, 420, 428, 440, 434-436,
454, 455

[56] **References Cited**

U.S. PATENT DOCUMENTS

- D. 231,650 5/1974 Eubank D14/149
- D. 246,651 12/1977 Morrison et al. D14/145
- D. 254,200 2/1980 Janda D14/149

- D. 271,691 12/1983 Bhat et al. D14/149
- D. 307,008 4/1990 Shaanan et al. D14/151
- D. 320,985 10/1991 Danielson et al. D14/142 X
- D. 327,247 6/1992 Higuchi et al. D13/108

Primary Examiner—Jeffrey Asch
Attorney, Agent, or Firm—Allan M. Shapiro

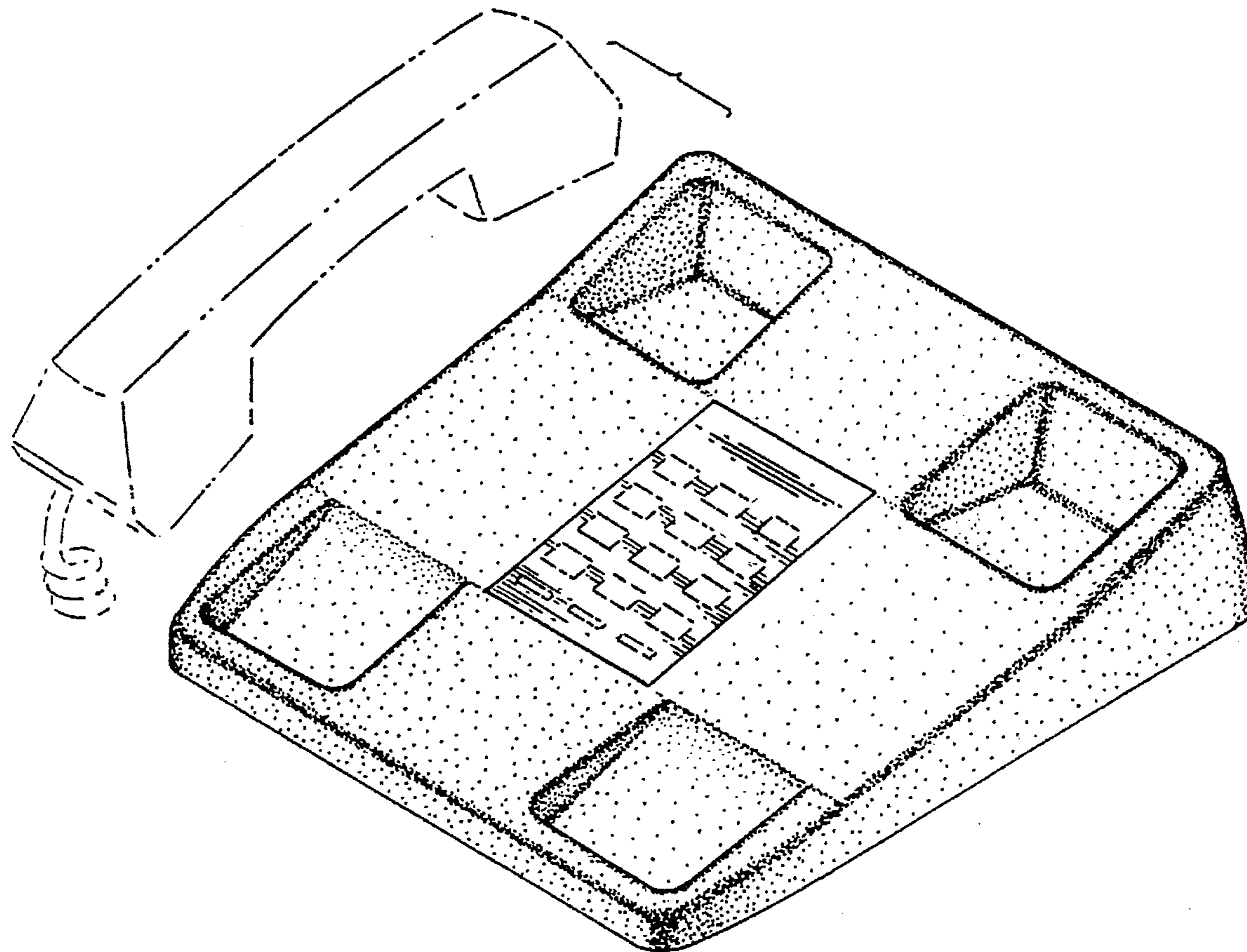
[57] **CLAIM**

The ornamental design for a dual telephone base, as shown and described.

DESCRIPTION

FIG. 1 is a perspective view of a dual telephone base, showing my new design;
FIG. 2 is a top plan view thereof;
FIG. 3 is a rear elevational view thereof; and,
FIG. 4 is an elevational view from the left side thereof.
The bottom surface, not shown, is plain and unornamented. The broken line showing of a telephone handset and keypad in FIG. 1 and of a keypad of FIG. 2 is for illustrative purposes only and forms no part of the claimed design.

1 Claim, 1 Drawing Sheet



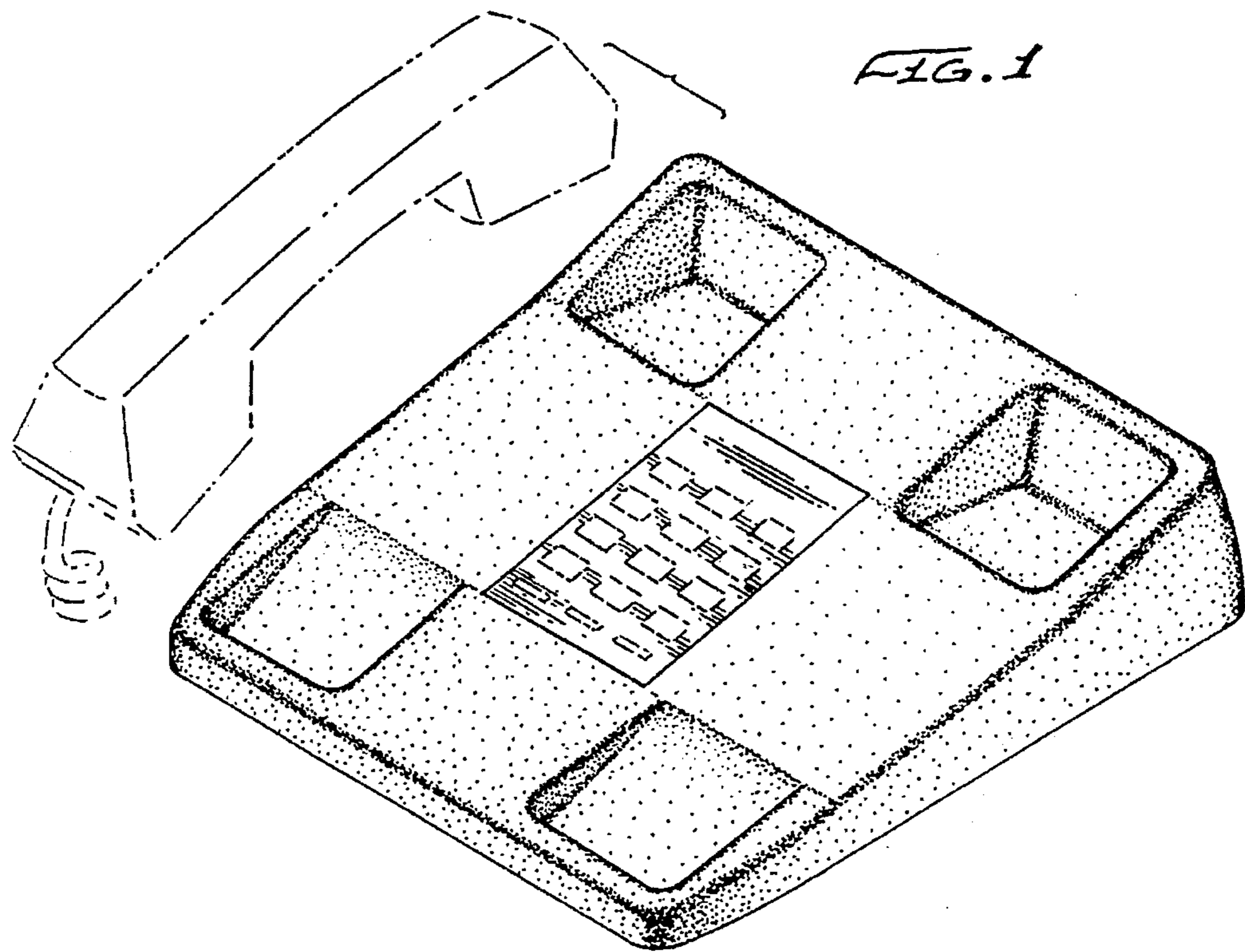


FIG. 2

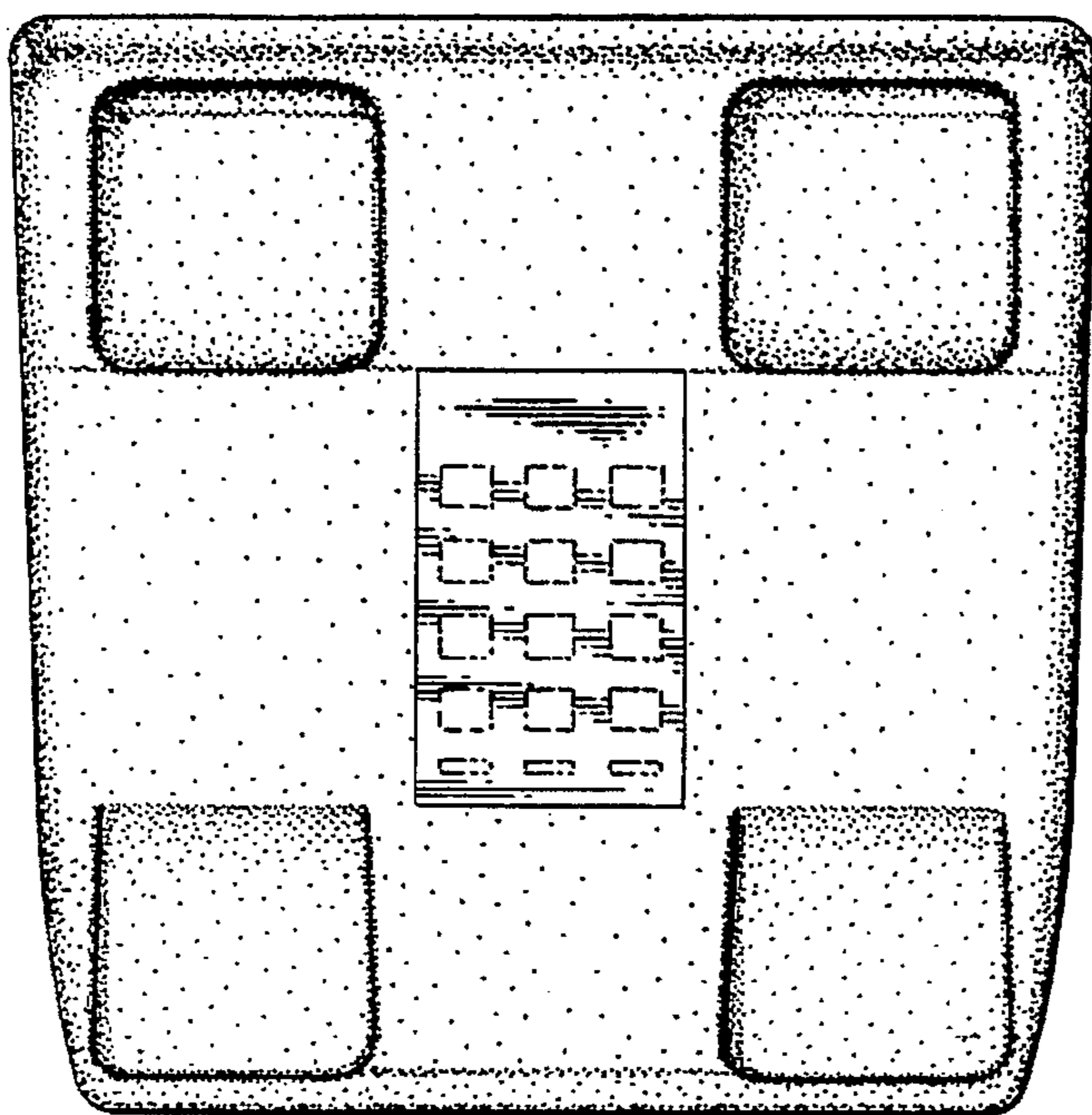


FIG. 3

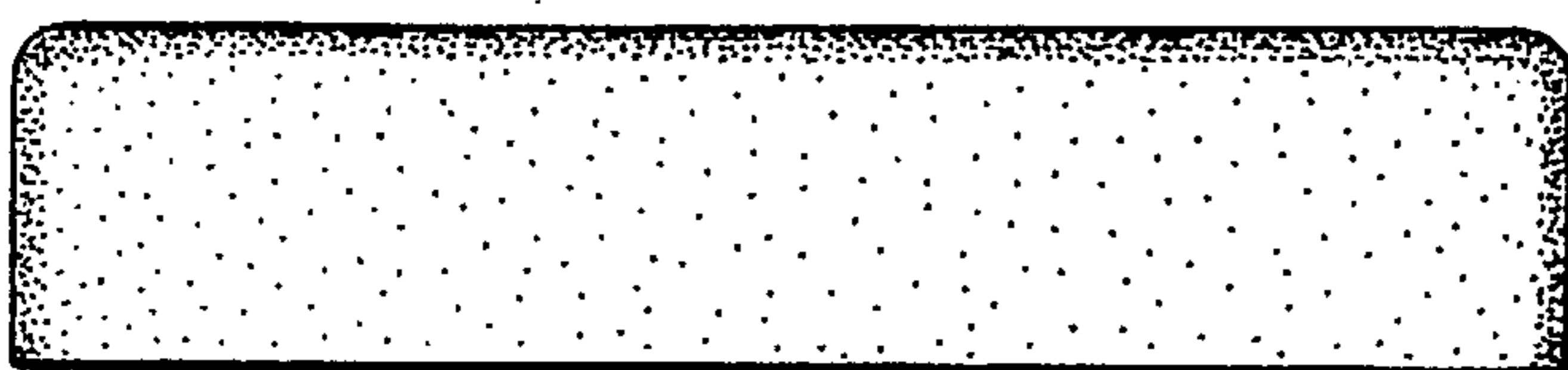


FIG. 4

