



US00D382260S

United States Patent [19] Smith

[11] Patent Number: Des. 382,260

[45] Date of Patent: **Aug. 12, 1997

[54] FLEXIBLE DUST COVER FOR A MONITOR

[76] Inventor: Fredrick C. Smith, P.O. Box 1604,
Bellaire, Tex. 77401-1604

[**] Term: 14 Years

[21] Appl. No.: 49,359

[22] Filed: Jan. 24, 1996

[51] LOC (6) Cl. 14-02

[52] U.S. Cl. D14/114

[58] Field of Search D14/114; D6/595,
D6/610; D3/274; D9/307, 417; 400/713-715;
454/184; 55/385.6; 312/208.3, 208.4; 150/154,
158, 164, 165; 181/200, 201; 206/586

[56] **References Cited**

U.S. PATENT DOCUMENTS

D. 237,755	11/1975	Ray, Jr.	D14/114
D. 293,754	1/1988	Howell	D6/595
1,505,797	8/1924	Olstad	312/208.4
4,226,327	10/1980	Ballard	206/586 X
4,856,436	8/1989	Campbell	150/165 X
4,893,954	1/1990	Kotur	400/714

5,021,638	6/1991	Nopper et al.	235/145 R
5,027,441	7/1991	Wilson	2/240
5,163,870	11/1992	Cooper	55/385.6 X
5,370,468	12/1994	Chern et al.	400/713

Primary Examiner—Freda Nunn
Attorney, Agent, or Firm—Pravel, Hewitt, Kimball & Krieger

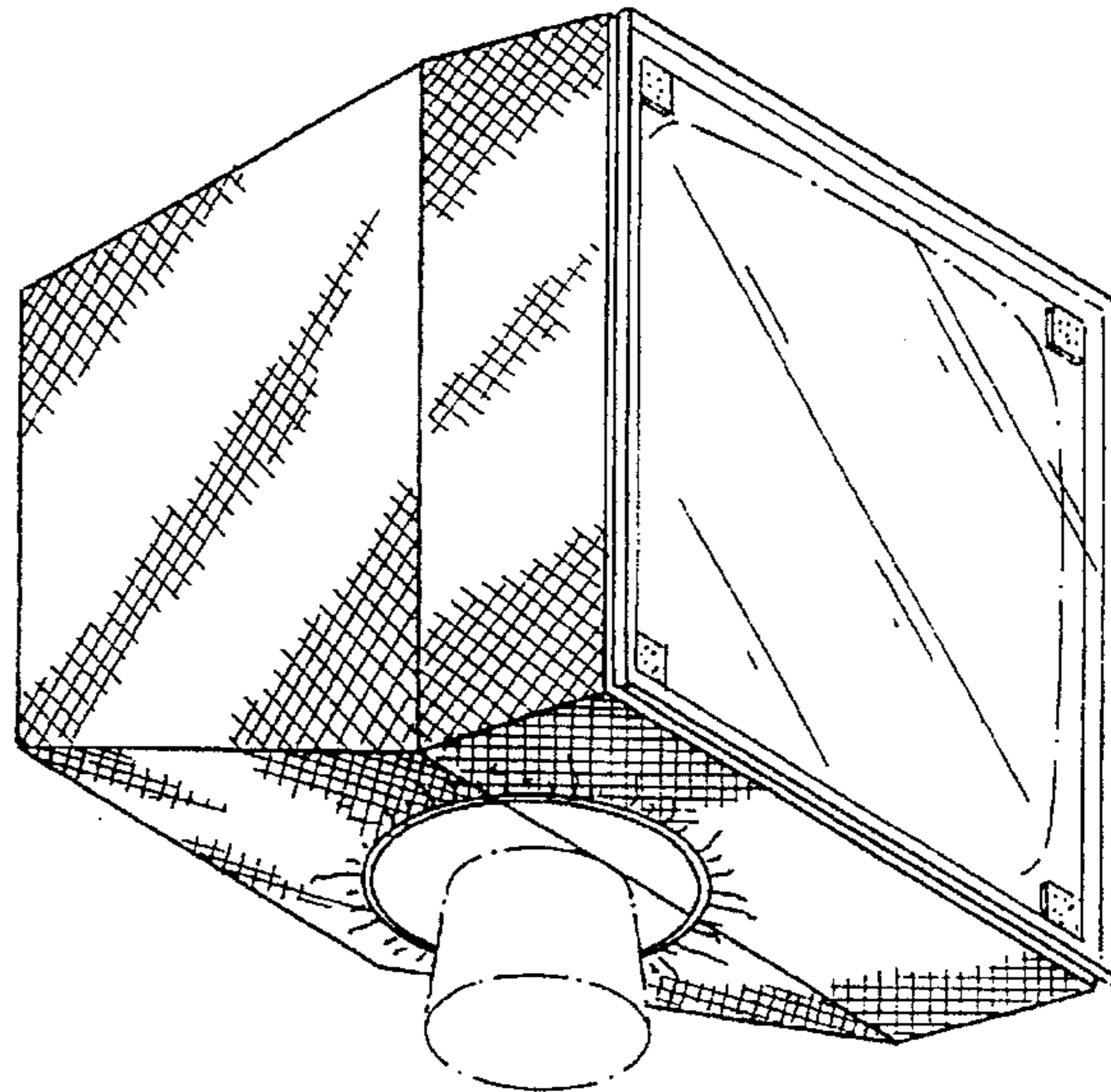
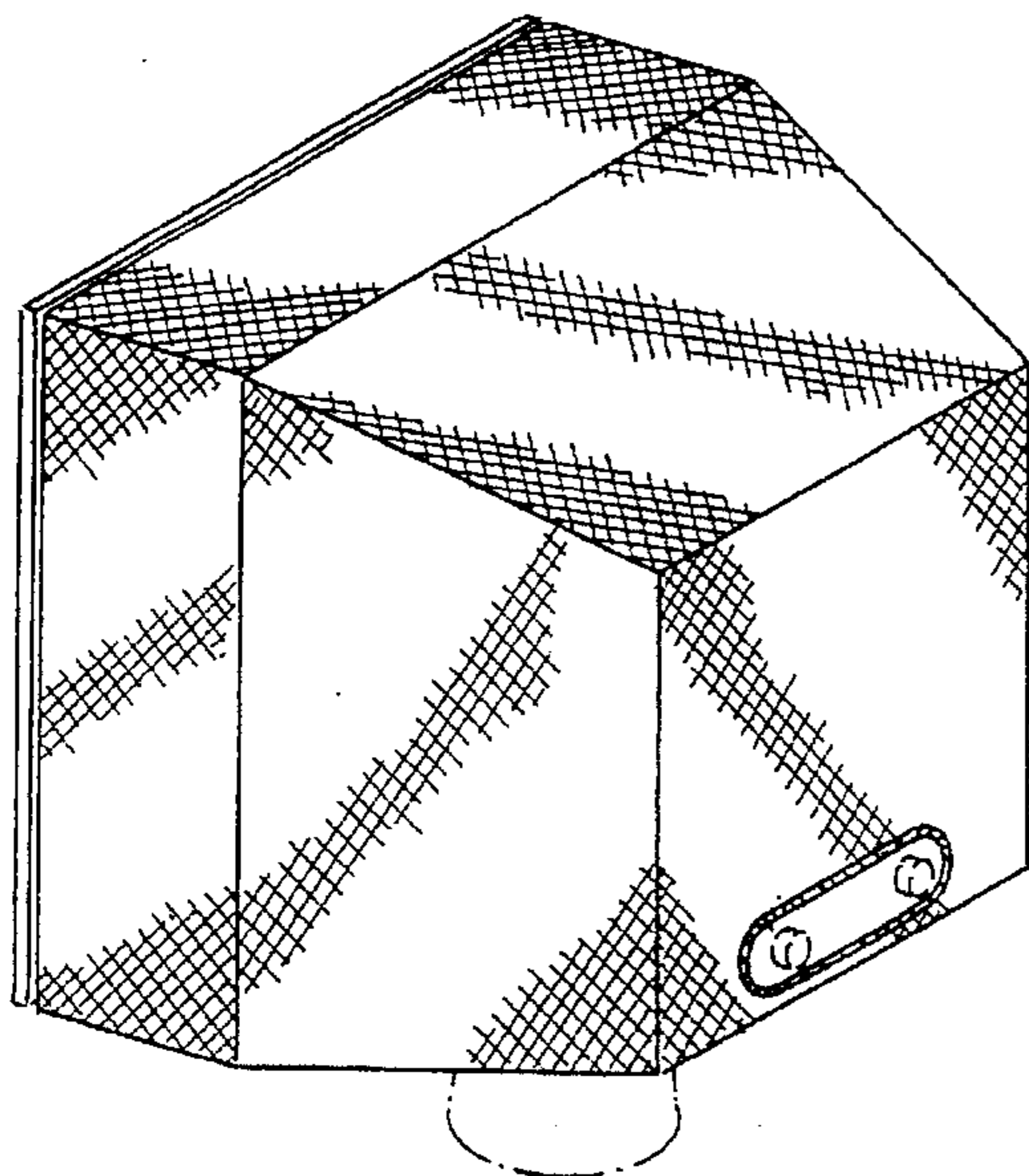
[57] **CLAIM**

The ornamental design for a flexible dust cover for a monitor, as shown and described.

DESCRIPTION

FIG. 1 is a top rear perspective view of a flexible dust cover for a monitor showing my new design;
FIG. 2 is a bottom front perspective view thereof;
FIG. 3 is a right side elevational view of the flexible dust cover of FIG. 1; the left side elevational view being a mirror image thereof; and,
FIG. 4 is a view taken along line 4—4 of FIG. 3.
The broken lines are shown in the views of illustrative purposes only and form no part of the claimed design.

1 Claim, 1 Drawing Sheet



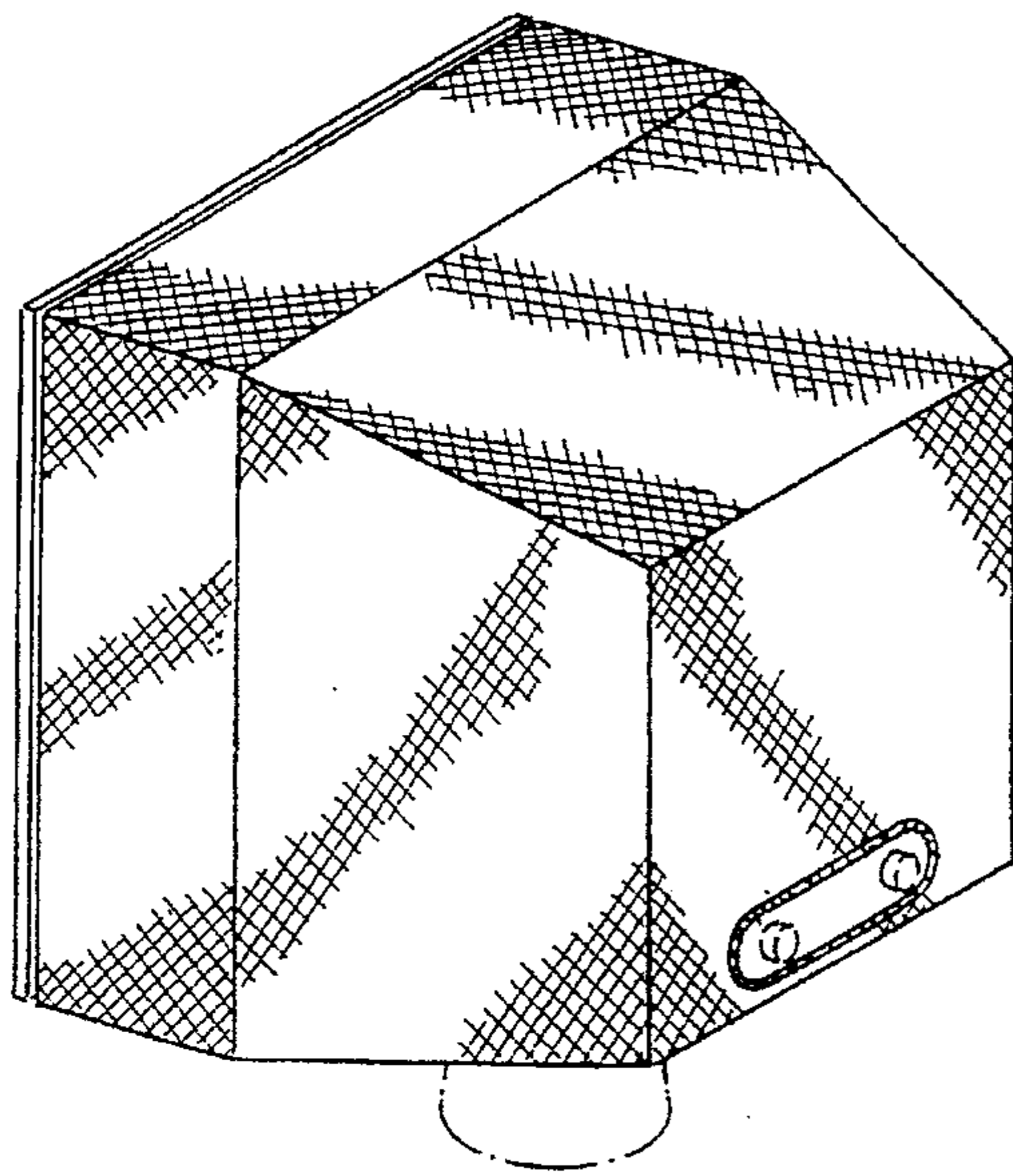


FIG. 1

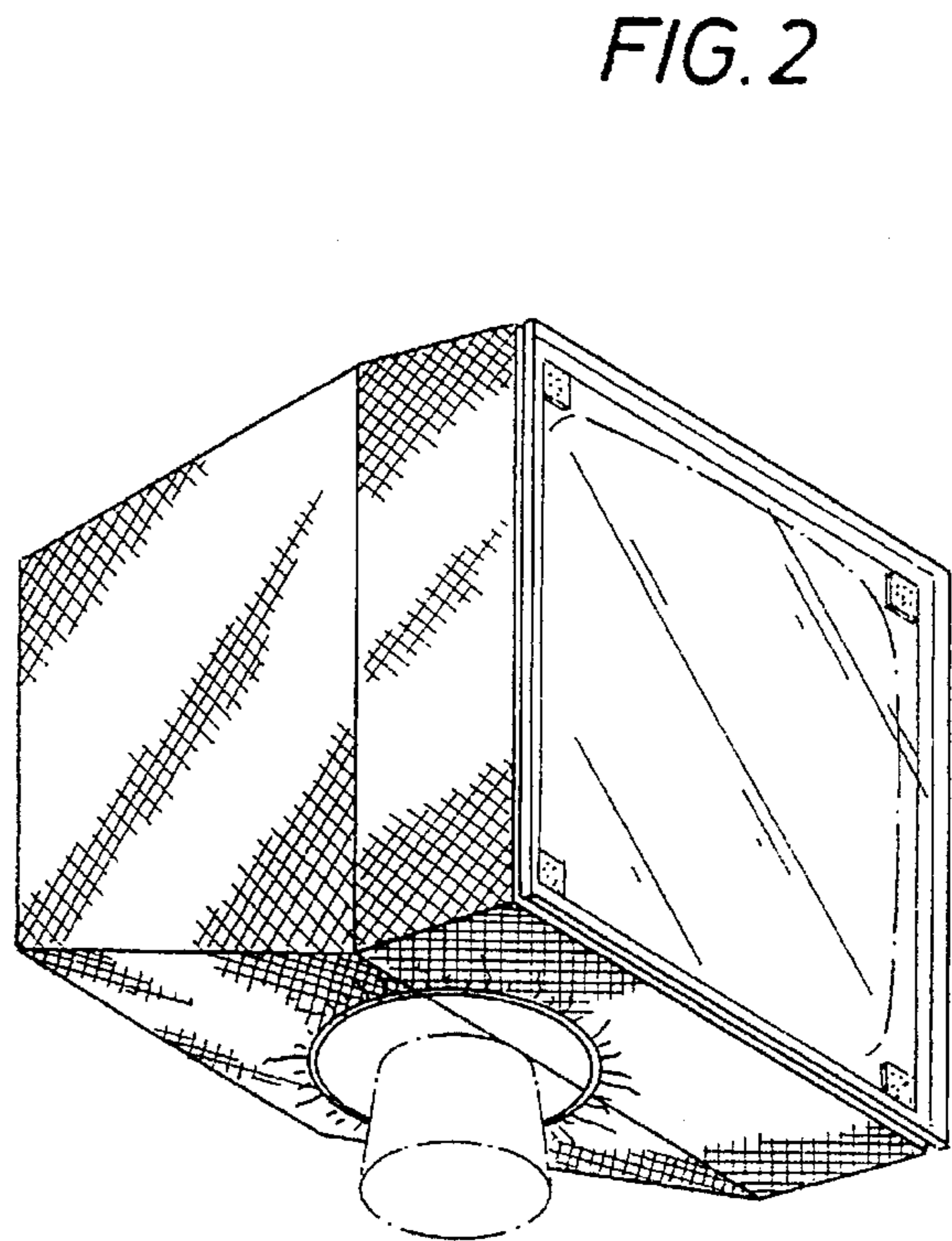


FIG. 2

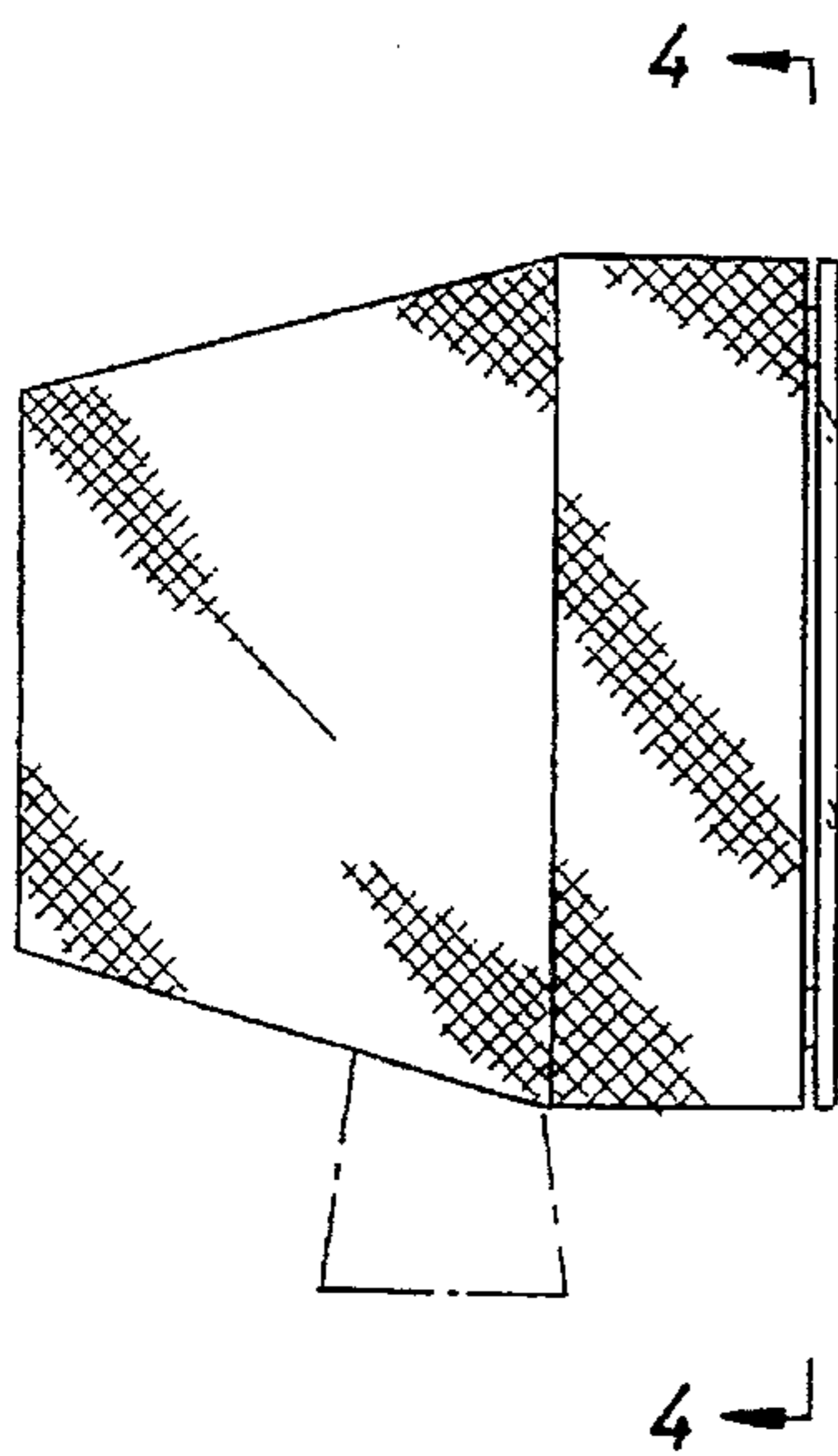


FIG. 3

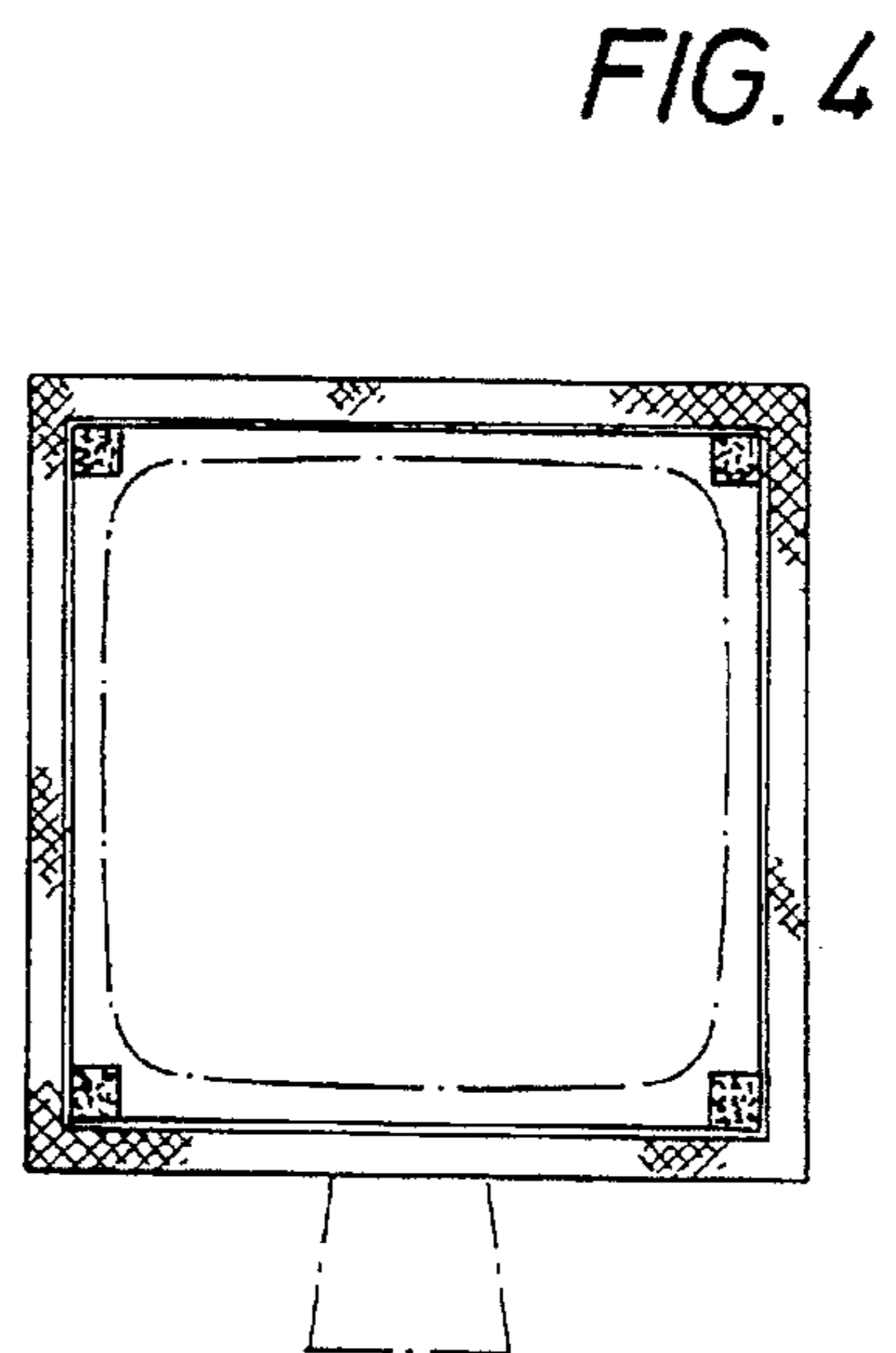


FIG. 4