



US00D382259S

United States Patent [19]

Nagai et al.

[11] Patent Number: Des. 382,259

[45] Date of Patent: **Aug. 12, 1997

[54] VIDEO MONITOR

[75] Inventors: **Muneyuki Nagai; Hirofumi Takemasa; Atsushi Onuma**, all of Osaka, Japan

[73] Assignee: **Matsushita Electric Industrial Co., Ltd.**, Osaka, Japan

[**] Term: **14 Years**

[21] Appl. No.: **52,408**

[22] Filed: **Mar. 29, 1996**

[30] Foreign Application Priority Data

Oct. 4, 1995 [JP] Japan 7-29764

[51] LOC (6) Cl. **14-02**

[52] U.S. Cl. **D14/113; D14/126**

[58] Field of Search D14/100, 113, D14/124-129, 101; 345/104, 133, 156, 168; 248/918-924

[56] References Cited

U.S. PATENT DOCUMENTS

- D. 311,907 11/1990 Yoshihara D14/106
- D. 313,431 1/1991 Jaskiel, Jr. et al. D14/113 X
- D. 350,346 9/1994 Takemasa et al. D14/126
- D. 354,952 1/1995 Rodd D14/113

- D. 356,556 3/1995 Maeno et al. D14/113
- D. 356,557 3/1995 Takemasa et al. D14/113
- D. 358,177 5/1995 Imai et al. D14/113 X
- D. 359,727 6/1995 Wilson D14/100
- D. 363,468 10/1995 Mieki et al. D14/100

OTHER PUBLICATIONS

Dolinar Brothers, Inc. (DBI). Sep. 5, 1991 *Flat Panel Display System*. Fujitsu Catalog, 3 pgs., published prior to Oct., 1995.

Primary Examiner—Freda Nunn
Attorney, Agent, or Firm—Sughrue, Mion, Zinn, Macpeak & Seas

[57] CLAIM

The ornamental design for a video monitor, as shown and described.

DESCRIPTION

FIG. 1 is a perspective view of the front, top and one side of a video monitor showing our new design; FIG. 2 is a side elevational view of said one side, the opposite side being a mirror image thereof; FIG. 3 is a top plan view thereof; FIG. 4 is a bottom plan view thereof; FIG. 5 is a front elevational view thereof; and, FIG. 6 is a rear elevational view thereof.

1 Claim, 2 Drawing Sheets

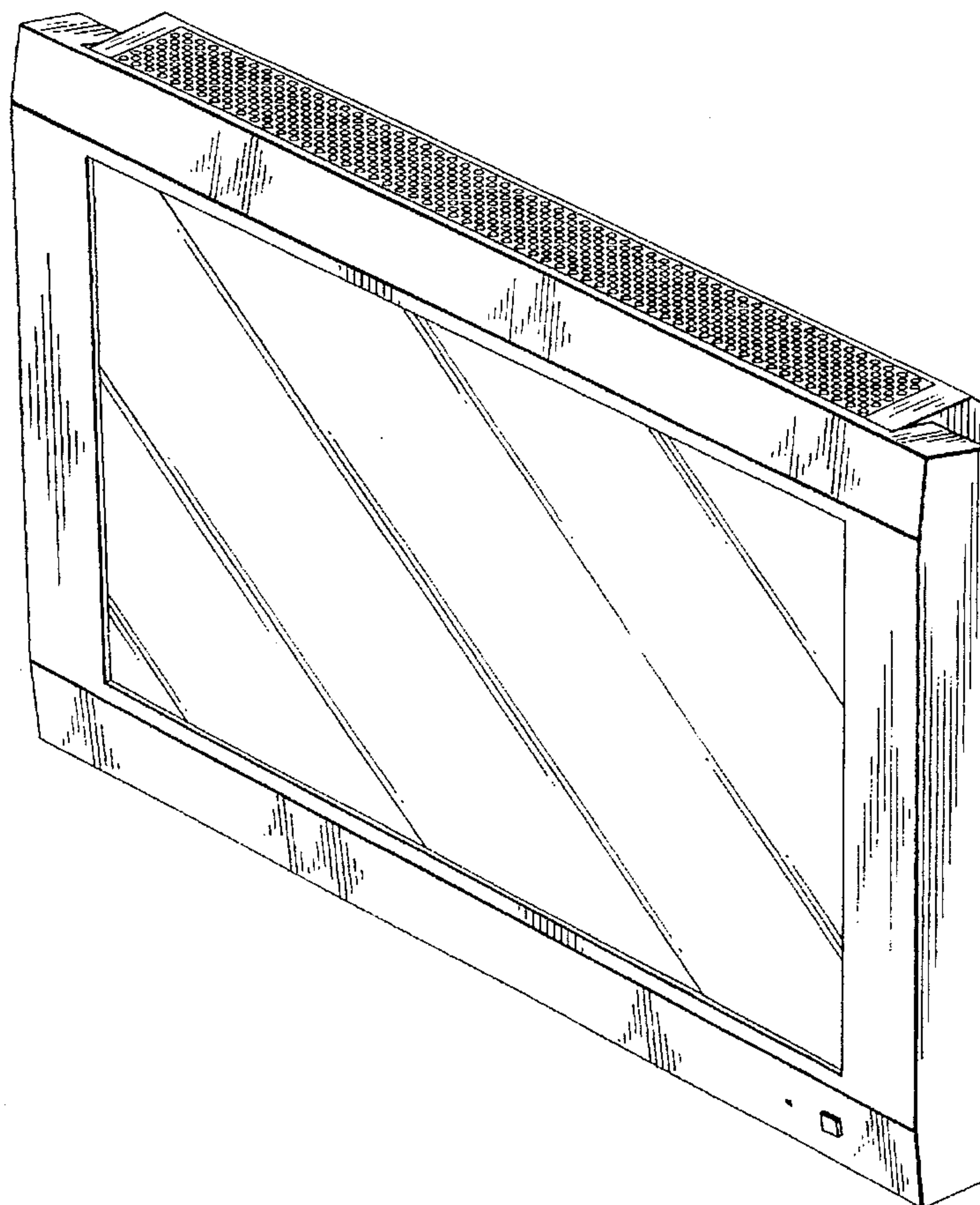


FIG. 1

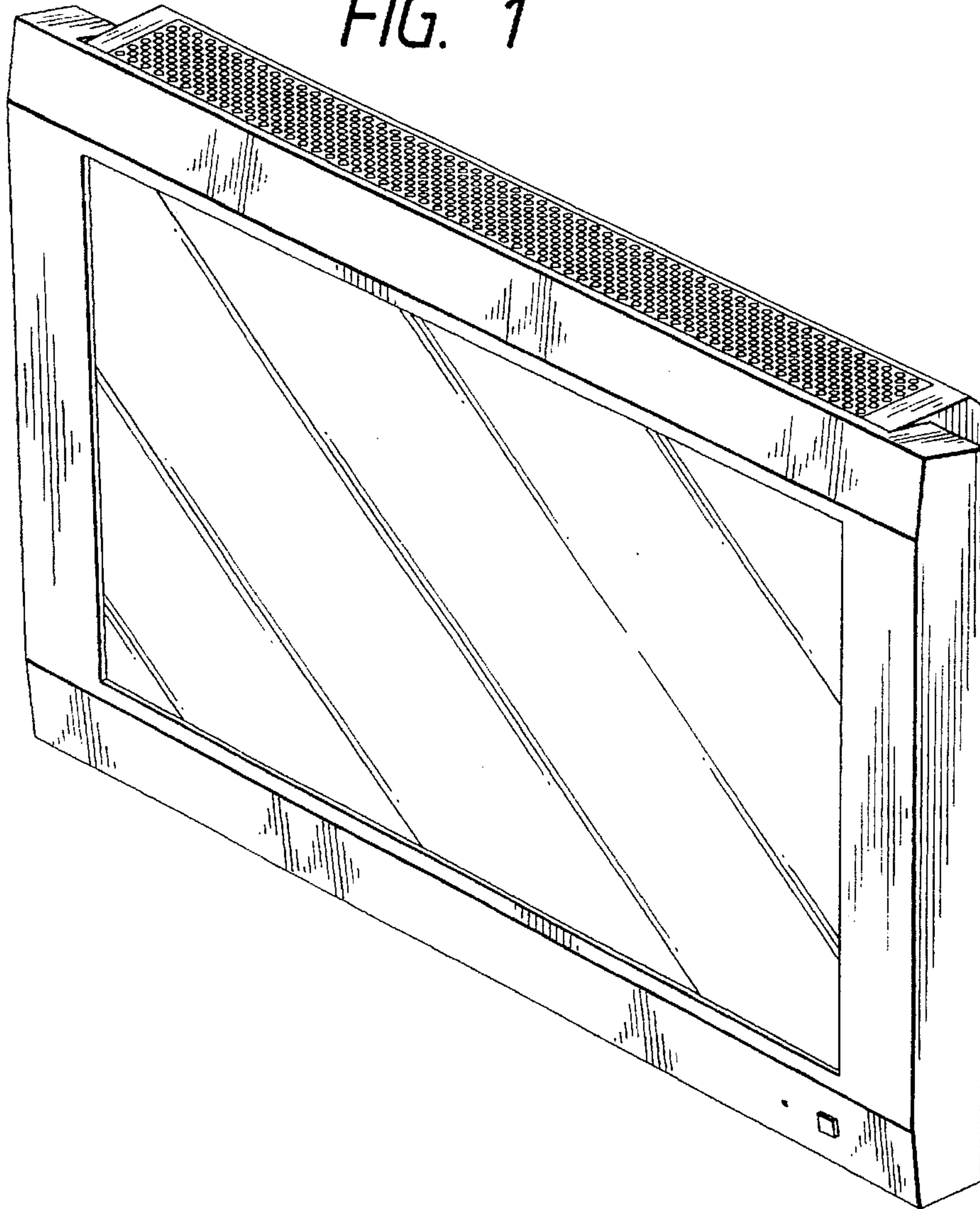


FIG. 2

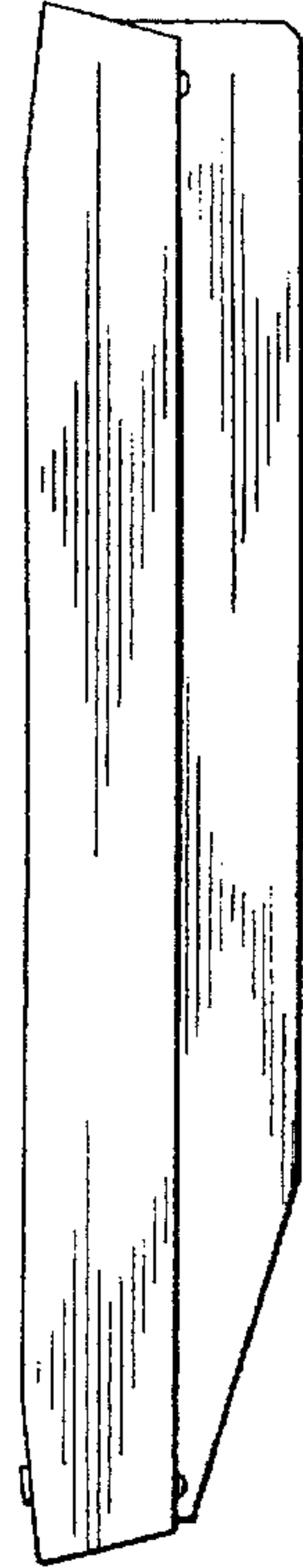


FIG. 3

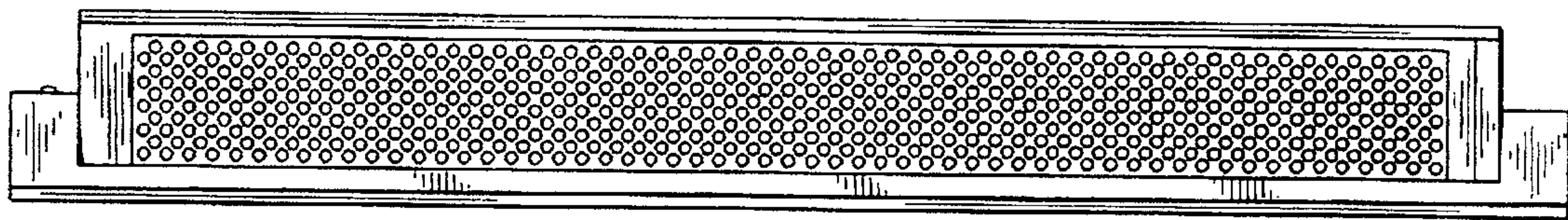


FIG. 4

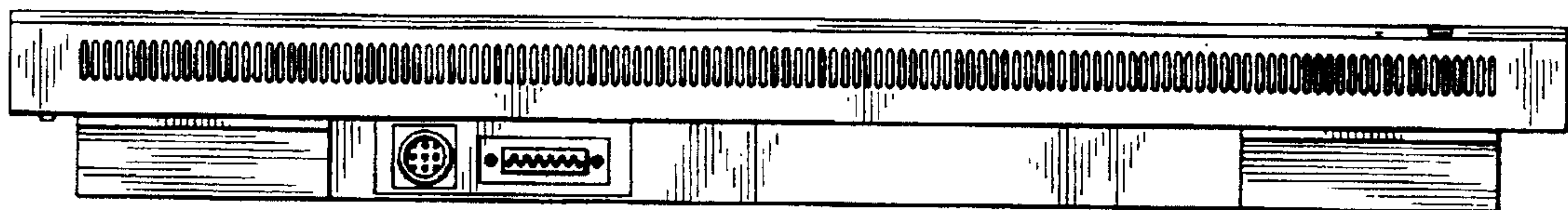


FIG. 5

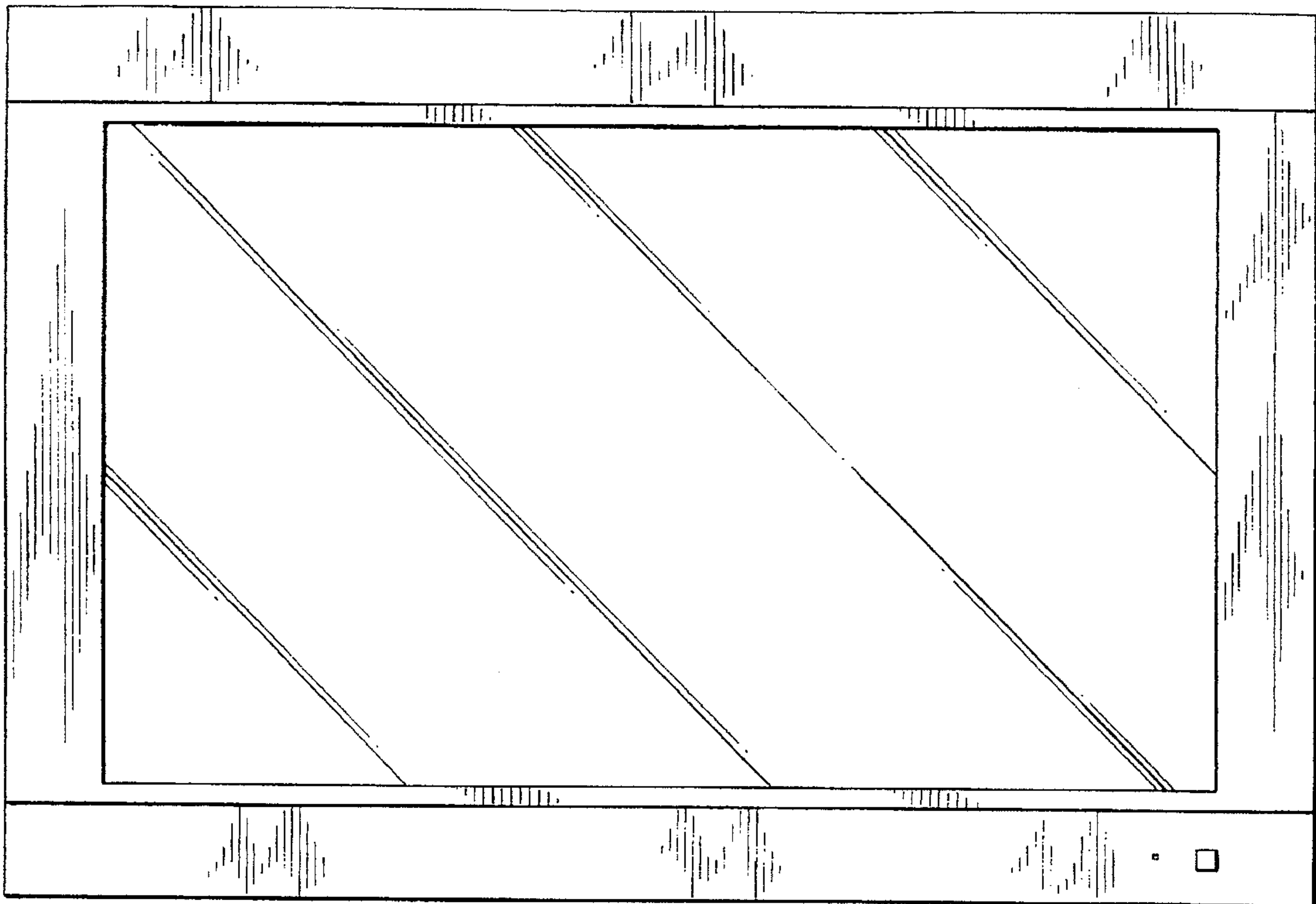


FIG. 6

