



US00D382258S

# United States Patent [19] Oates

[11] Patent Number: **Des. 382,258**

[45] Date of Patent: **\*\*\*Aug. 12, 1997**

[54] **VISUAL DISPLAY UNIT**

[75] Inventor: **Markus Oates**, Farnham, United Kingdom

[73] Assignee: **International Business Machines Corporation**, Armonk, N.Y.

[\*] Notice: The portion of the term of this patent subsequent to Nov. 26, 2010, has been disclaimed.

[\*\*] Term: **14 Years**

[21] Appl. No.: **46,883**

[22] Filed: **Nov. 20, 1995**

[30] **Foreign Application Priority Data**

May 19, 1995 [GB] United Kingdom ..... 2047609

[51] LOC (6) Cl. .... **14-02**

[52] U.S. Cl. .... **D14/113**

[58] Field of Search ..... D14/100, 106, D14/113, 101, 124-127; 345/104, 133, 156, 168, 173, 87, 901-905; 248/917-924

[56] **References Cited**

**U.S. PATENT DOCUMENTS**

D. 340,922 11/1993 Barbera ..... D14/113

D. 368,078 3/1996 Back ..... D14/113

*Primary Examiner*—Freda S. Nunn

*Attorney, Agent, or Firm*—George E. Grosser

[57] **CLAIM**

The ornamental design for a visual display unit, as shown and described.

**DESCRIPTION**

FIG. 1 is a front, top, right side perspective view of a visual display unit according to the invention;  
FIG. 2 is a rear, top, right side perspective view thereof;  
FIG. 3 is a front elevational view thereof;  
FIG. 4 is a rear elevational view thereof;  
FIG. 5 is a left side elevational view thereof;  
FIG. 6 is a right side elevational view thereof;  
FIG. 7 is a top plan view thereof; and,  
FIG. 8 is a bottom plan view thereof.

**1 Claim, 8 Drawing Sheets**

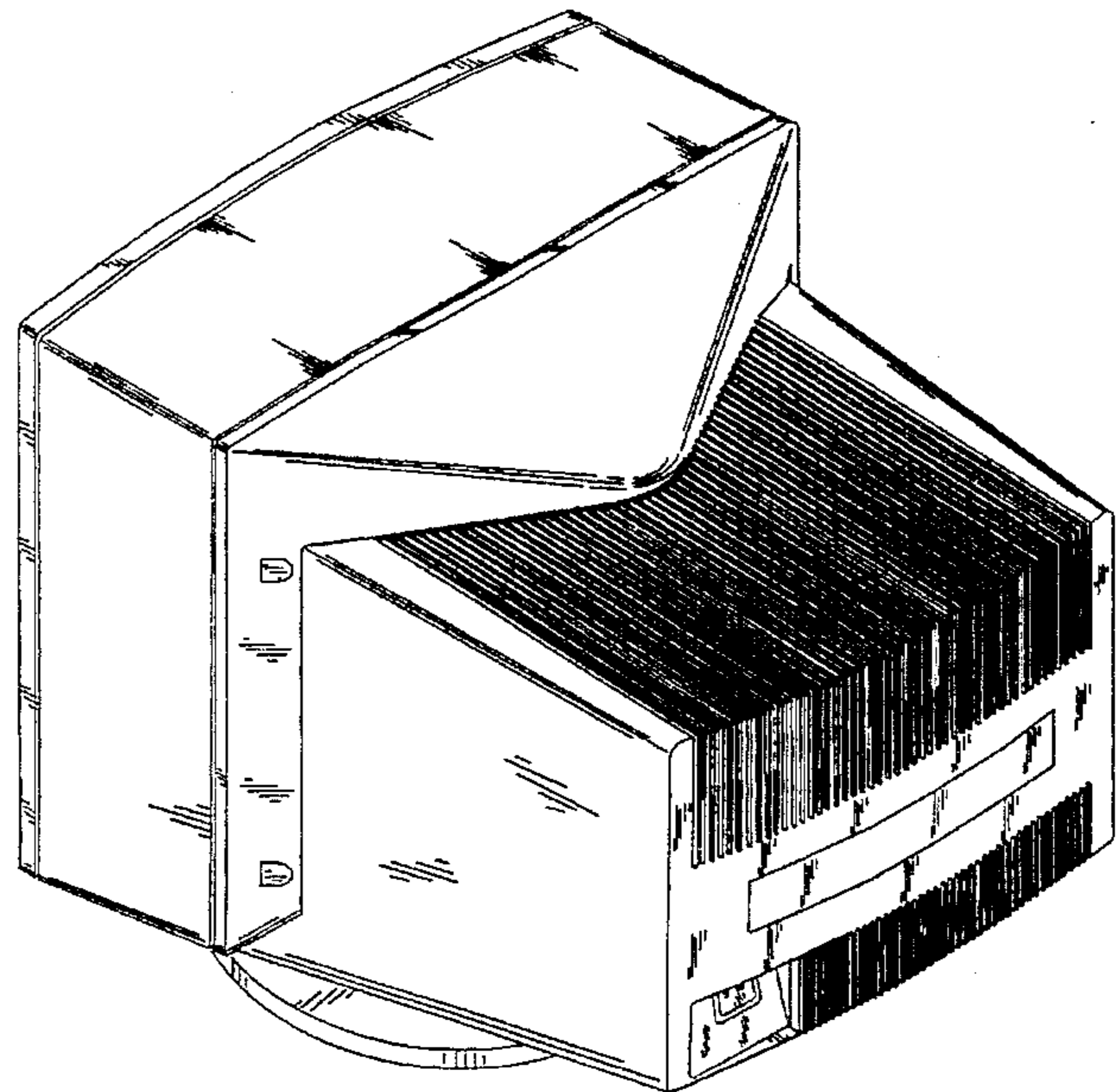
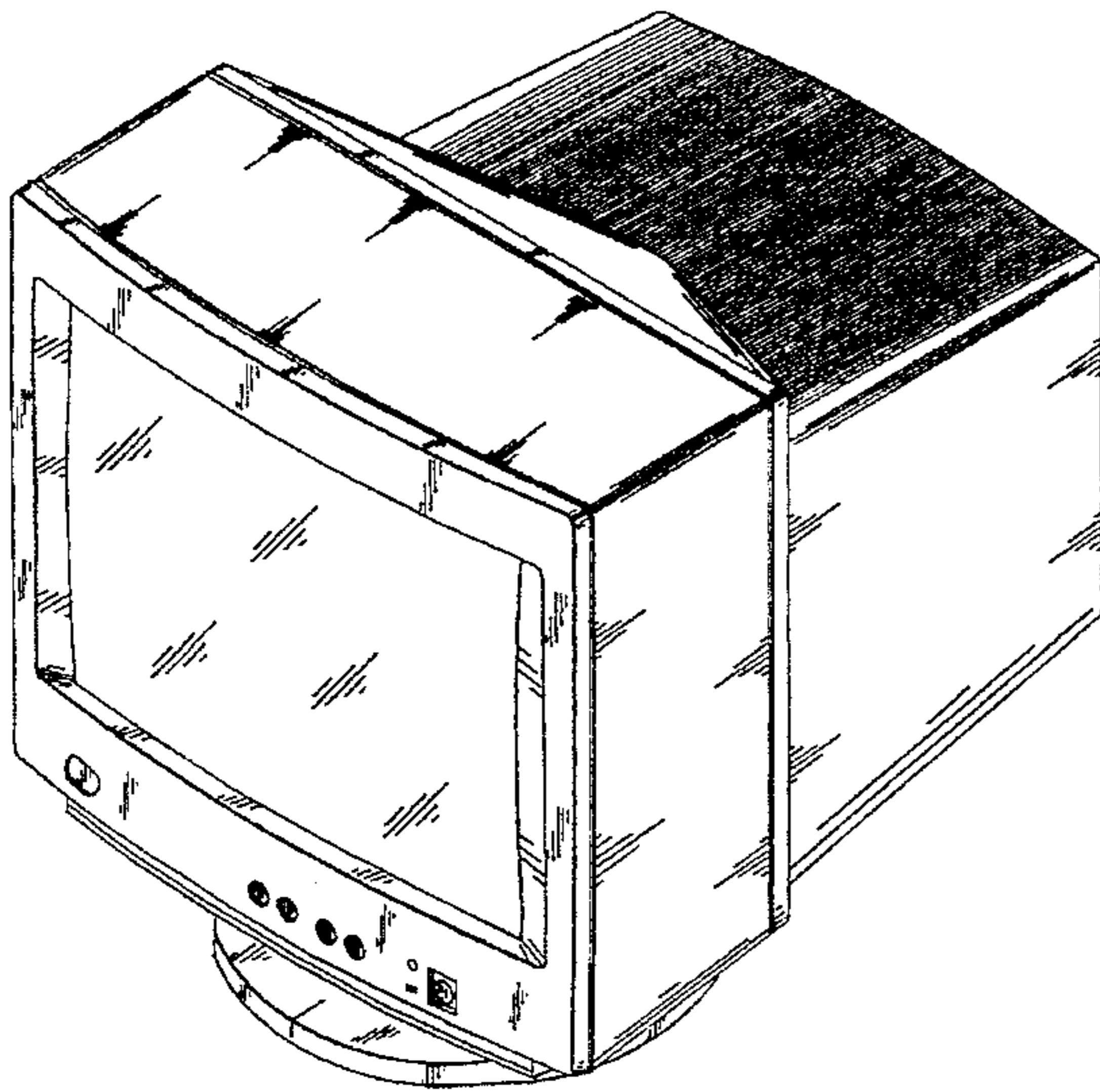


FIG. 1

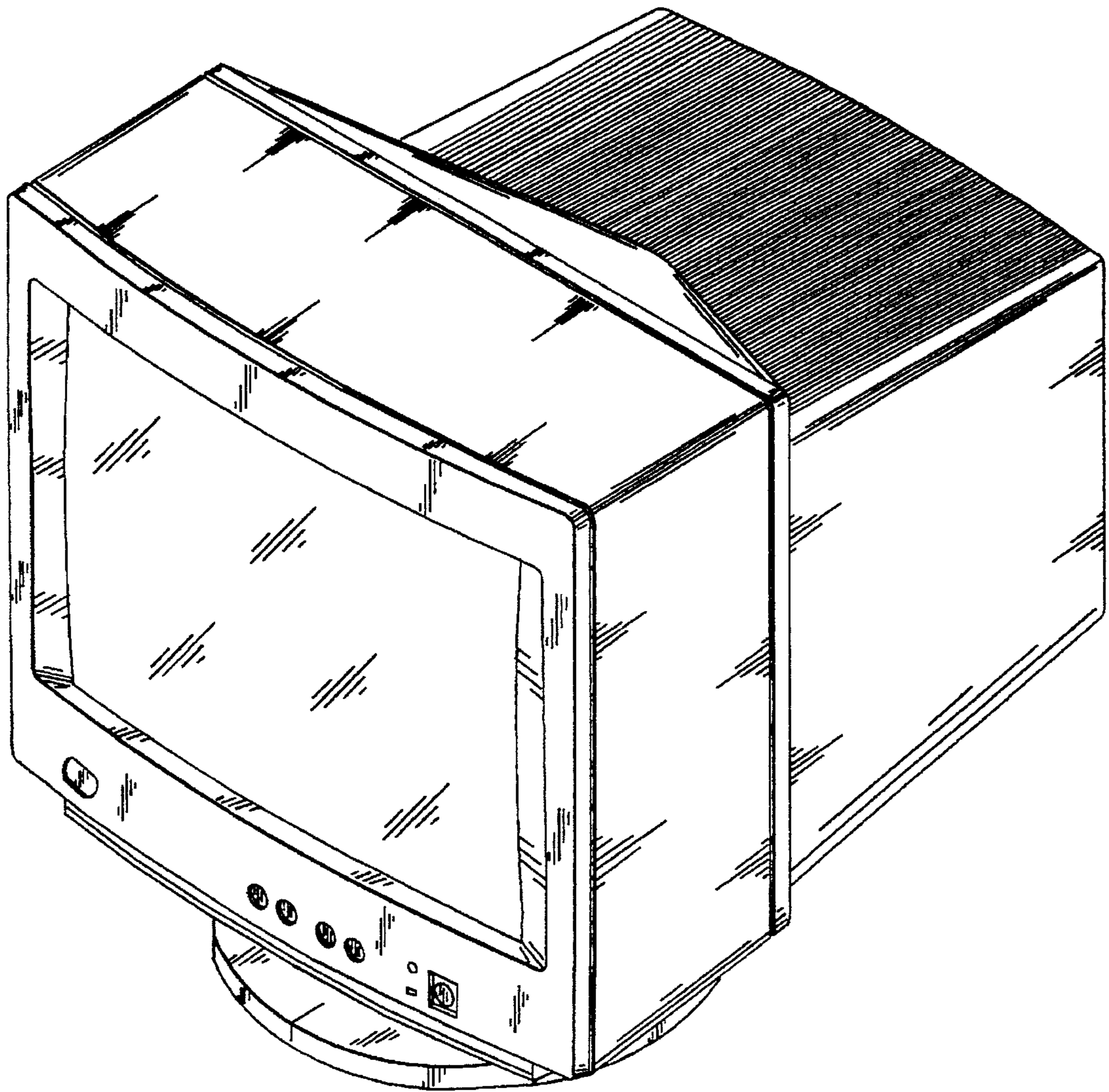


FIG. 2

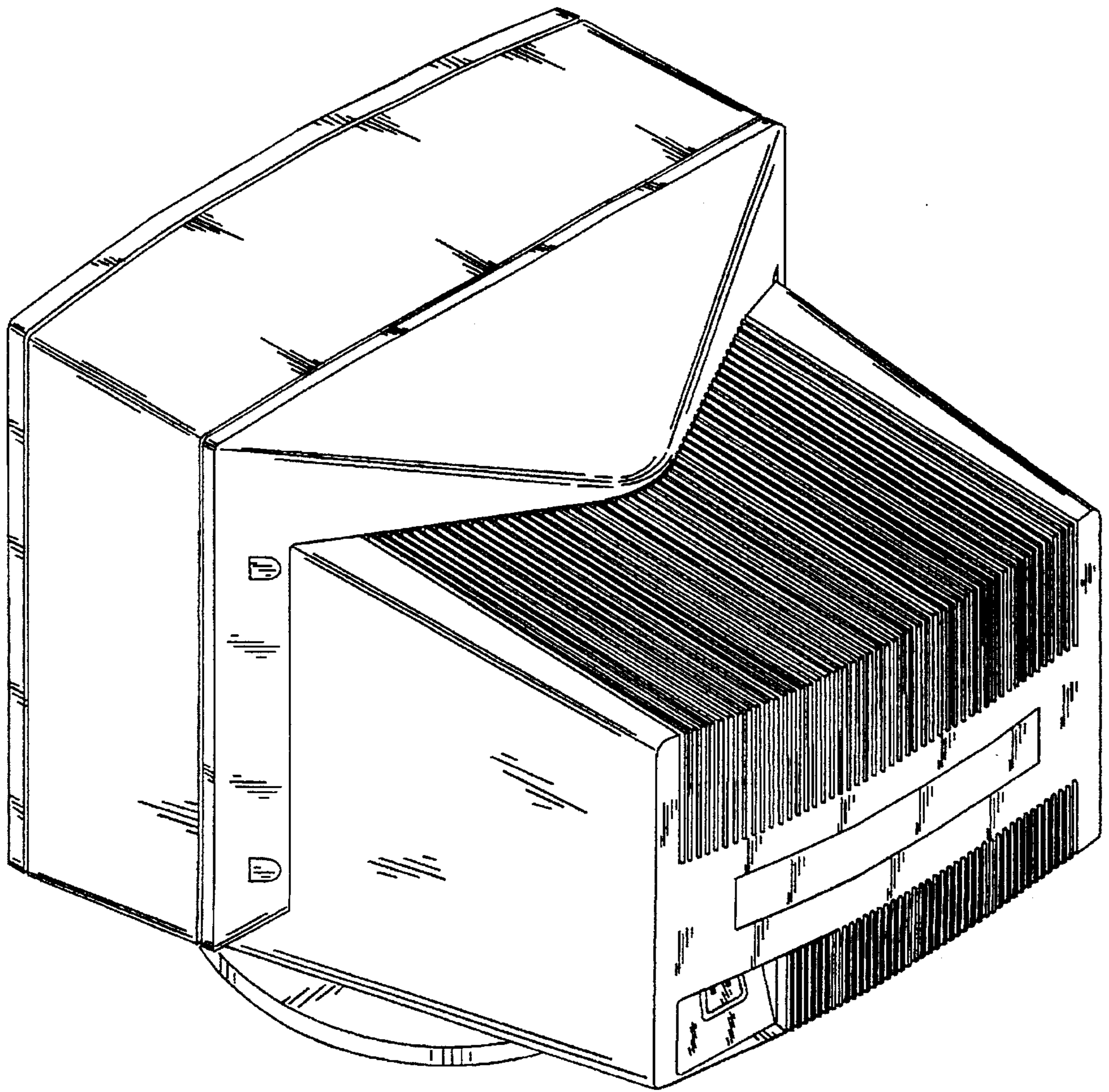


FIG. 3

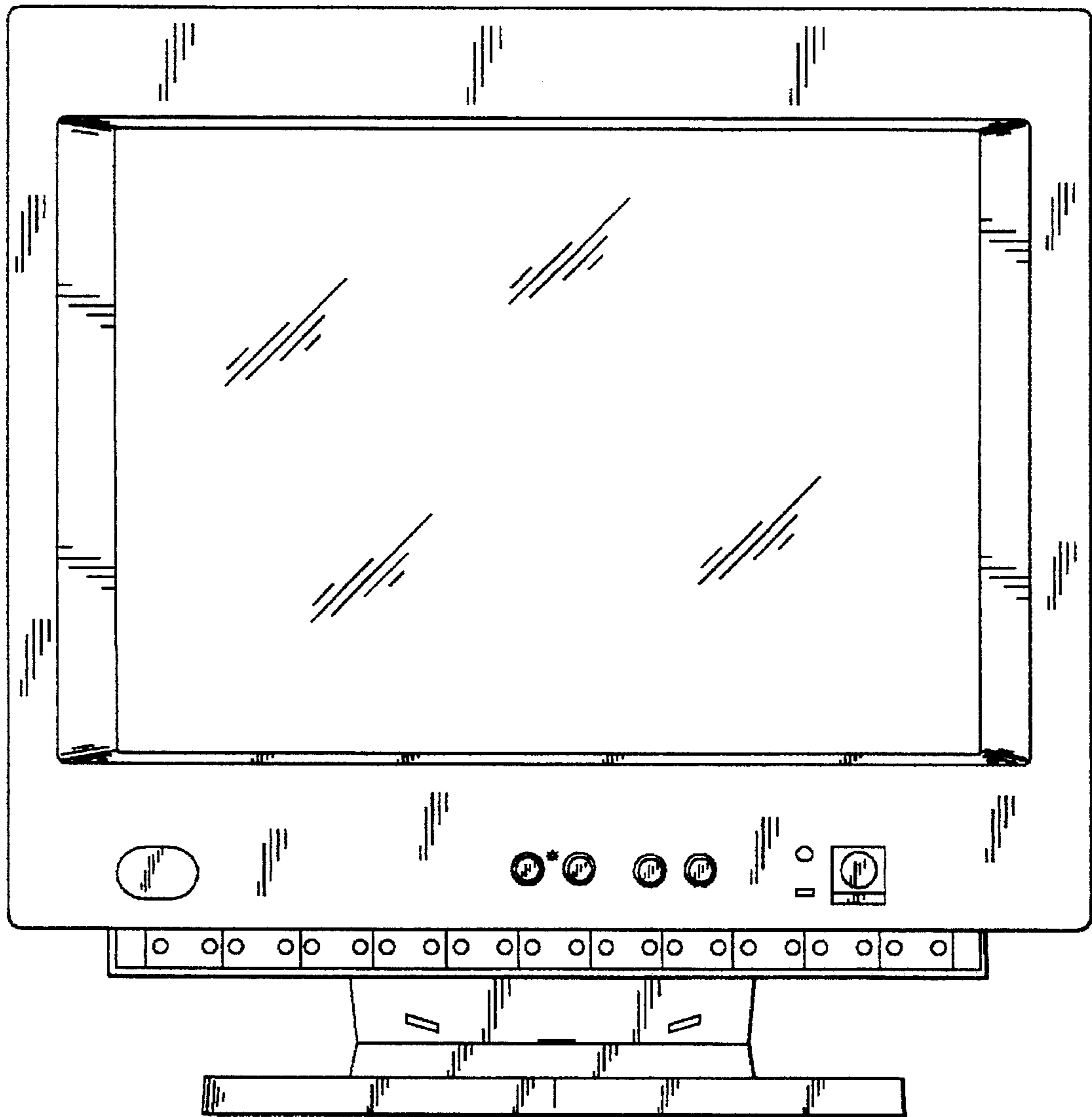


FIG. 4

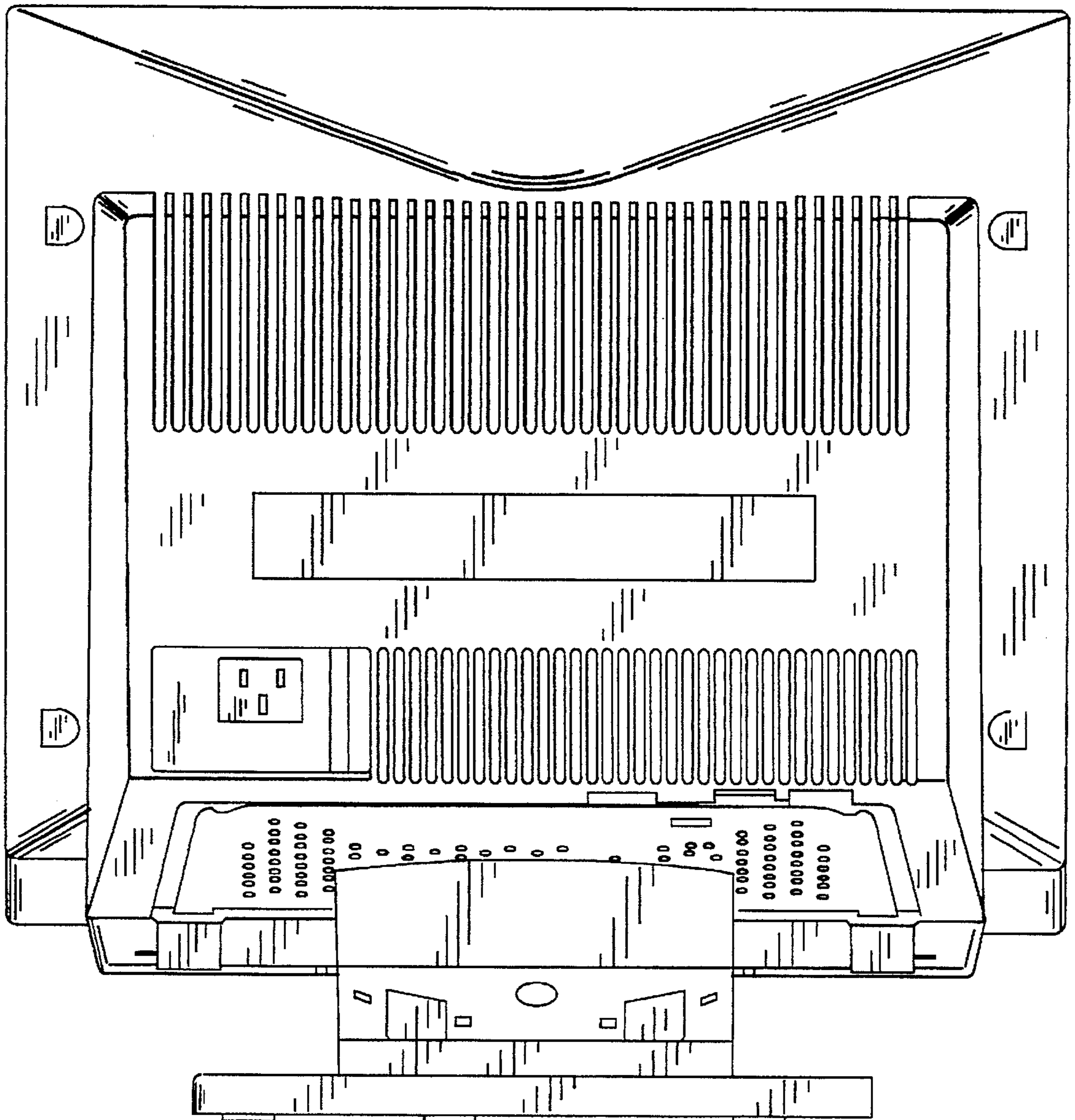


FIG. 5

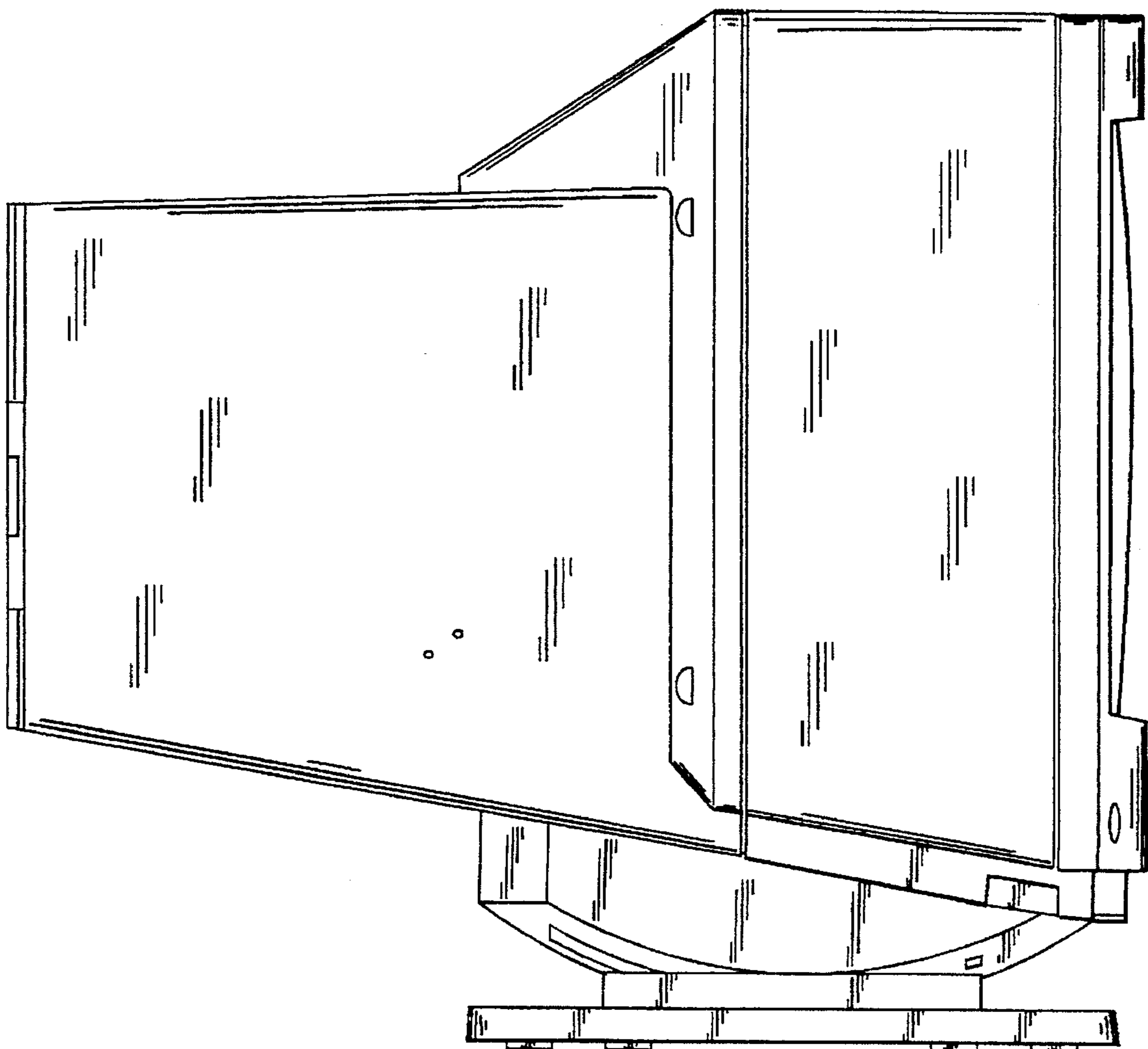


FIG. 6

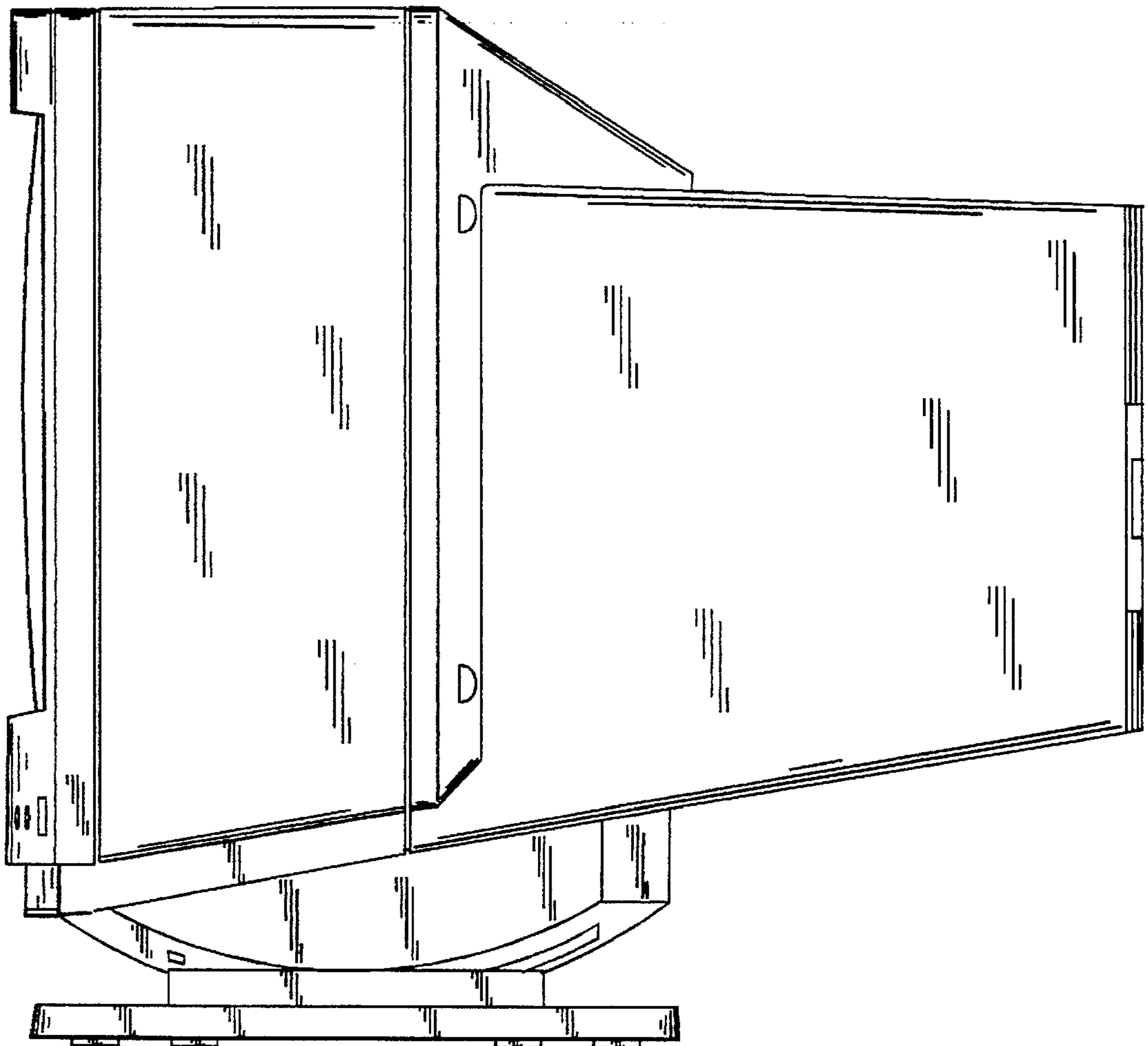


FIG. 7

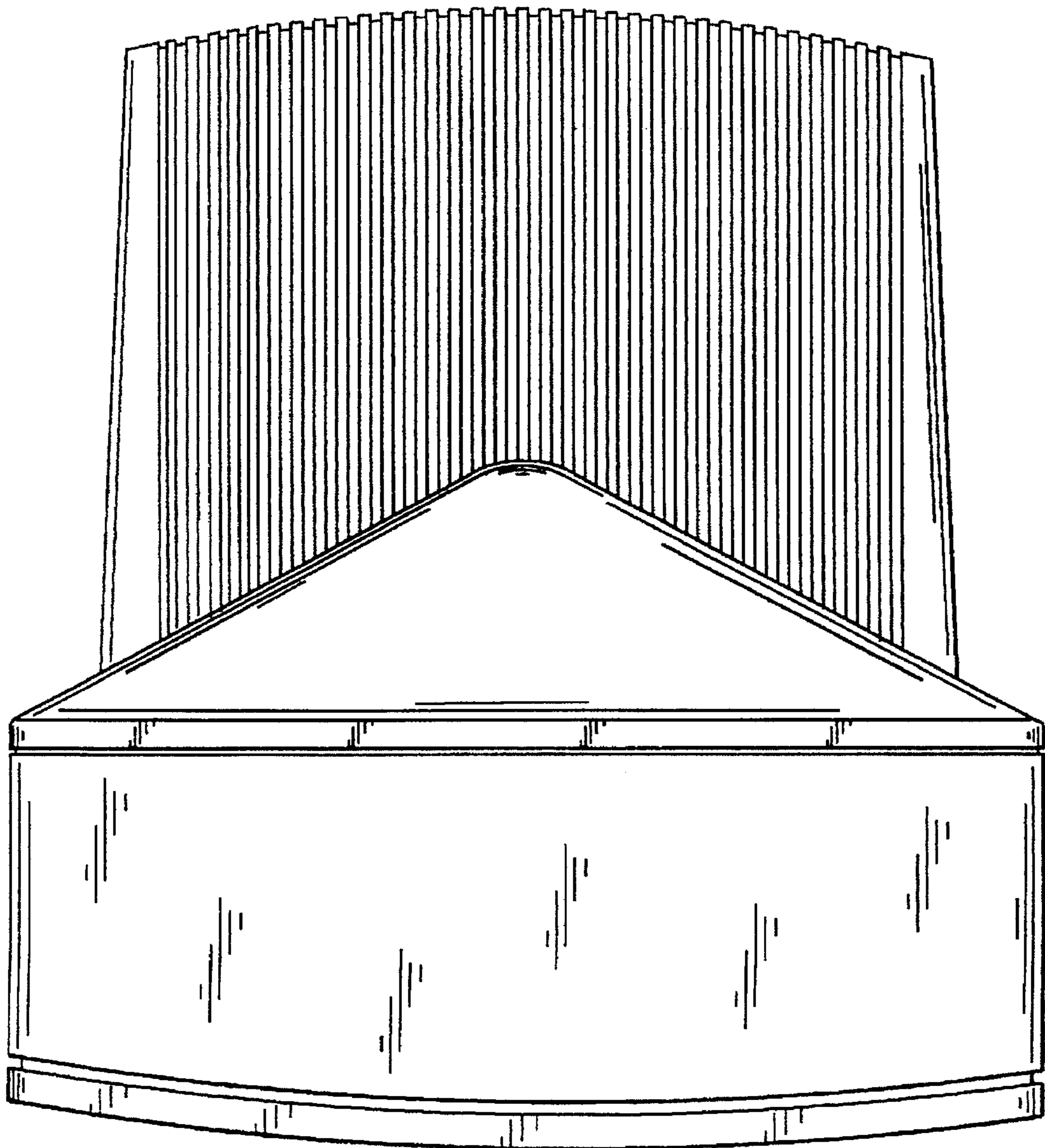




FIG. 8

