



US00D382257S

United States Patent [19]

Yamazaki

[11] Patent Number: **Des. 382,257**

[45] Date of Patent: ****Aug. 12, 1997**

[54] **OPTICAL DRIVE UNIT**

[75] Inventor: **Kazuhiko Yamazaki**, Hiratsuka, Japan

[73] Assignee: **International Business Machines Corporation**, Armonk, N.Y.

[**] Term: **14 Years**

[21] Appl. No.: **50,765**

[22] Filed: **Feb. 26, 1996**

[30] **Foreign Application Priority Data**

Sep. 29, 1995 [JP] Japan 7-29330

[51] **LOC (6) Cl.** **14-02**

[52] **U.S. Cl.** **D14/109**

[58] **Field of Search** D14/100, 107, D14/108, 109; D13/162, 184, 199; D6/432, 436, 445, 448; 312/208.1; 360/97.01, 97.04, 99.06, 98.01; 361/694, 696

[56] **References Cited**

U.S. PATENT DOCUMENTS

D. 372,022 7/1996 Sawada et al. D14/109

4,481,552	11/1984	Dona et al.	360/97
4,974,103	11/1990	Ifikar et al.	360/97.01
5,053,903	10/1991	Harney et al.	360/99.06
5,175,657	12/1992	Ifikar et al.	360/98.01
5,235,481	8/1993	Kamo et al.	360/97.01
5,282,099	1/1994	Kawagoe et al.	360/97.01

Primary Examiner—Freda Nunn
Attorney, Agent, or Firm—D. A. Shifrin

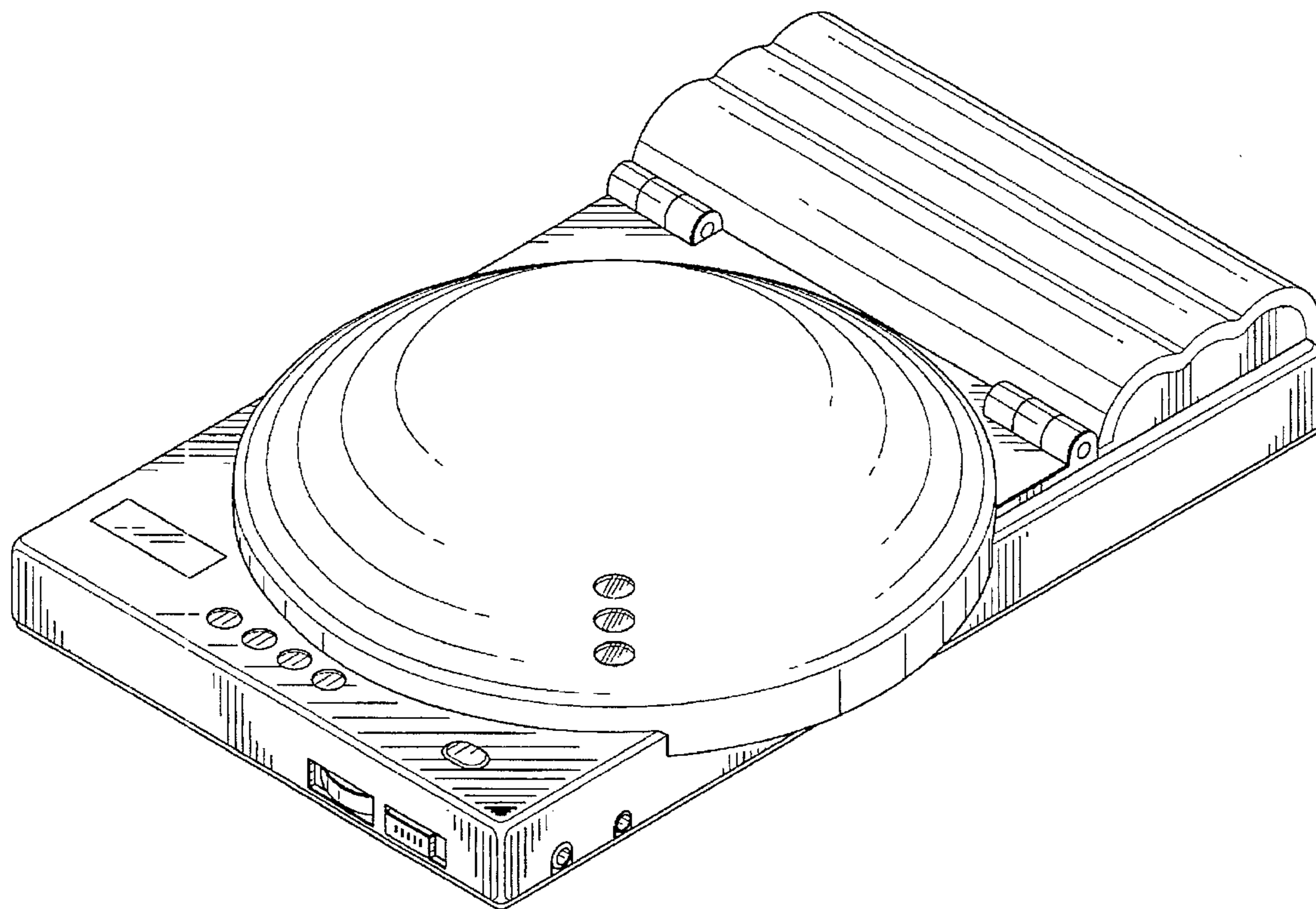
[57] **CLAIM**

The ornamental design for an optical drive unit, as shown.

DESCRIPTION

FIG. 1 is a top front and right side perspective view of the optical drive unit, showing our new design;
FIG. 2 is a front elevational view thereof;
FIG. 3 is a rear elevational view thereof;
FIG. 4 is a top plan view thereof;
FIG. 5 is a bottom plan view thereof;
FIG. 6 is a right side elevational view thereof; and,
FIG. 7 is a left side elevational view thereof.

1 Claim, 4 Drawing Sheets



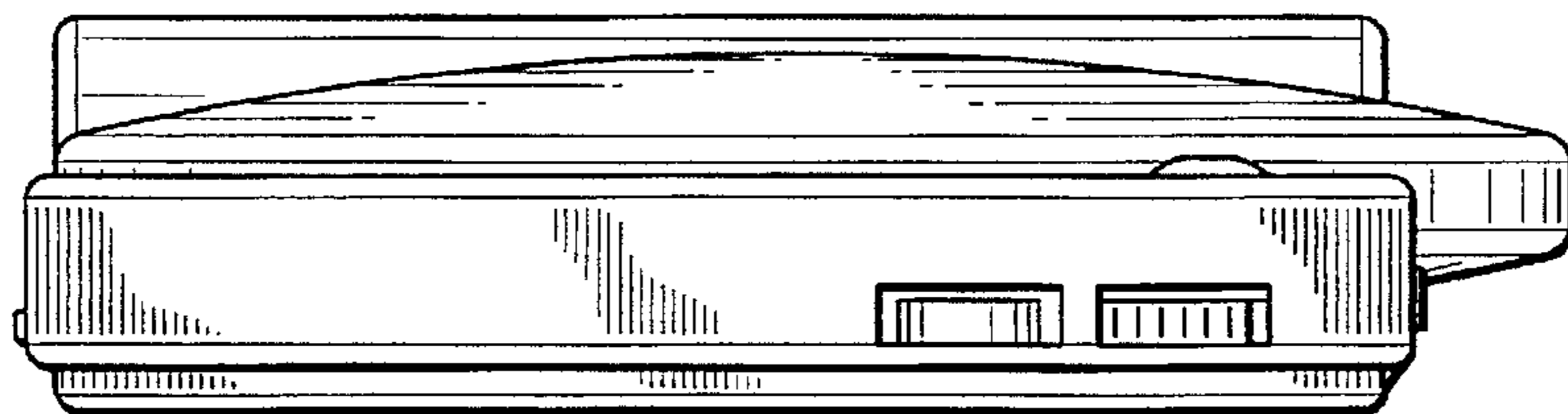
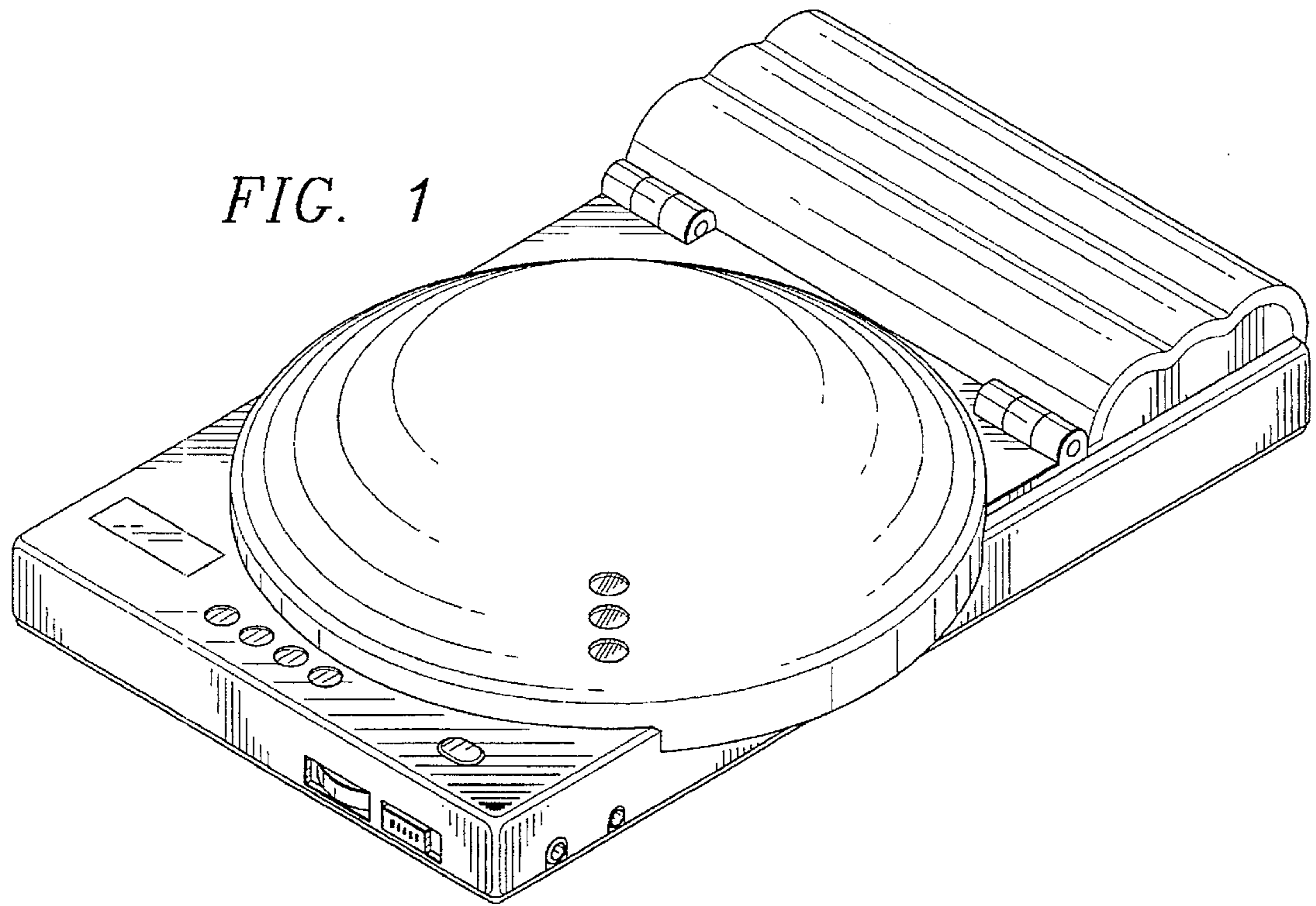


FIG. 2

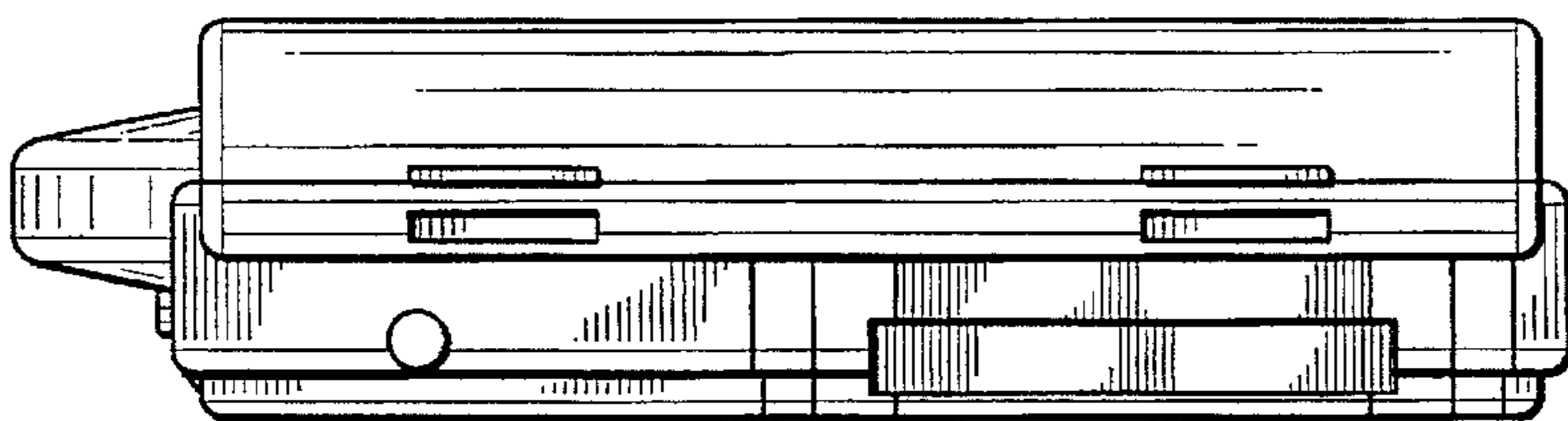


FIG. 3

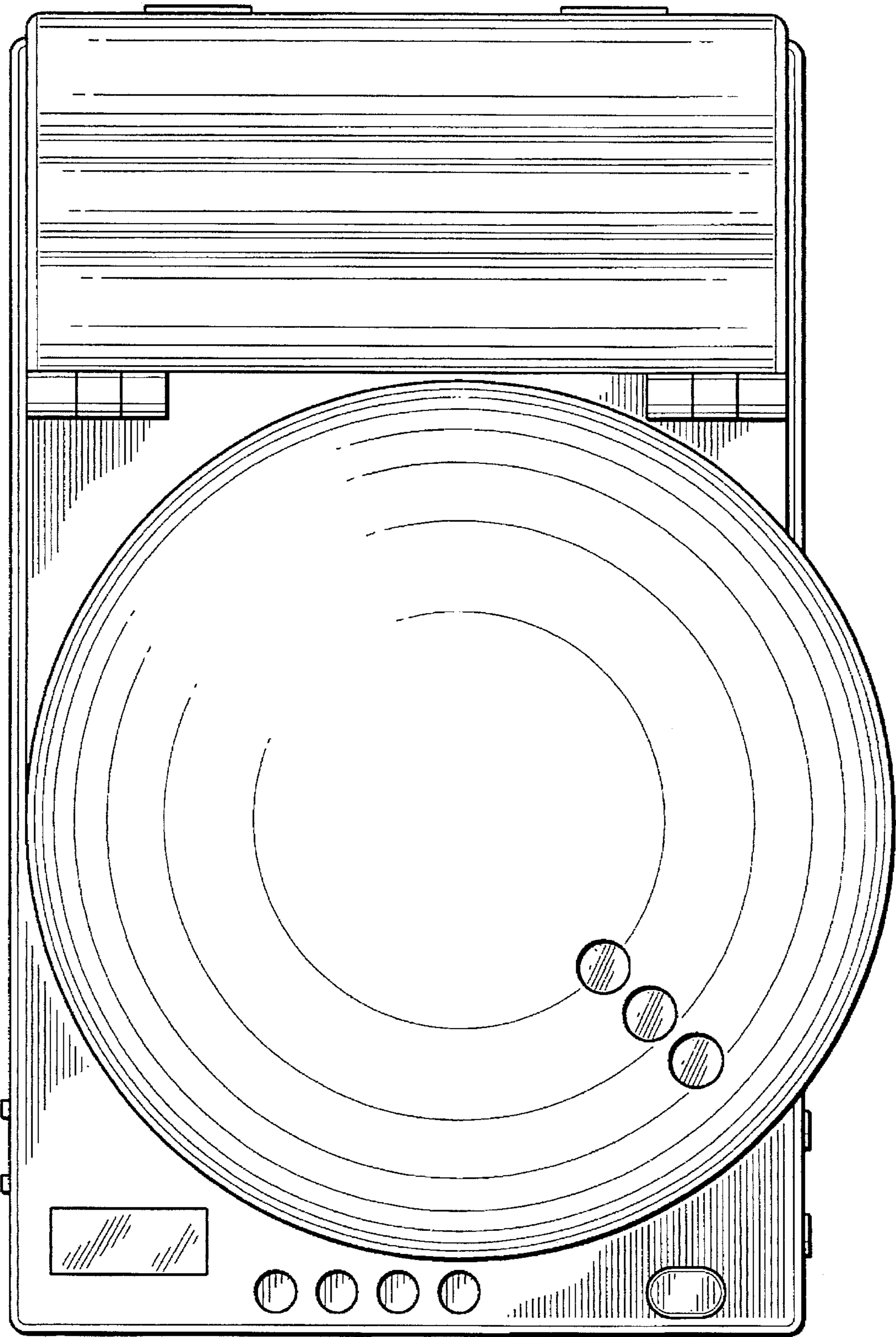


FIG. 4

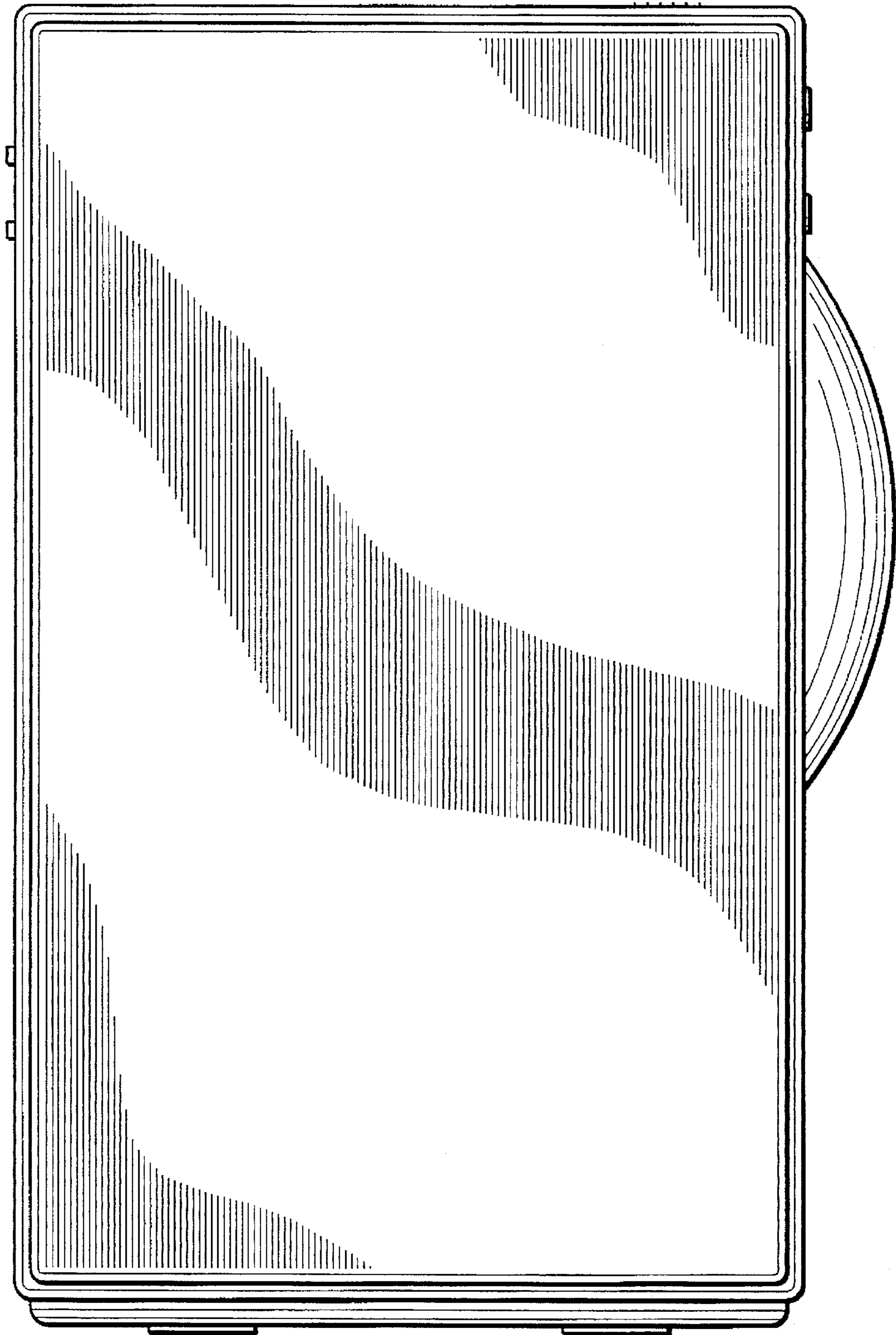


FIG. 5

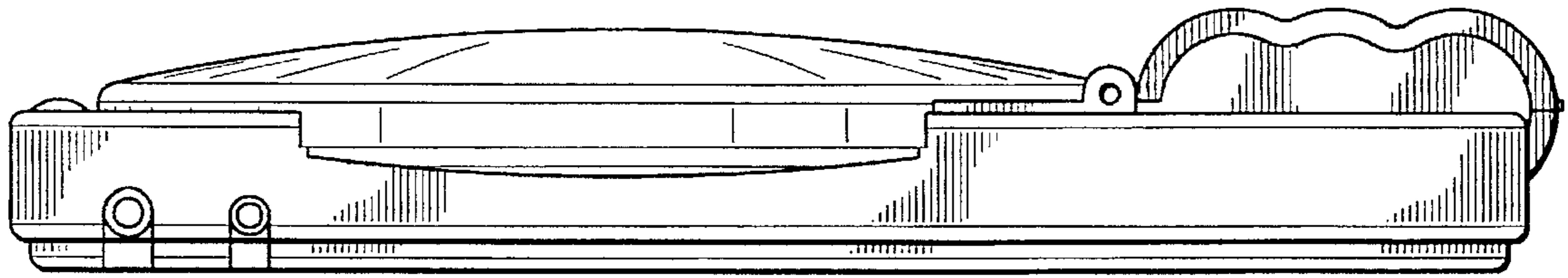


FIG. 6

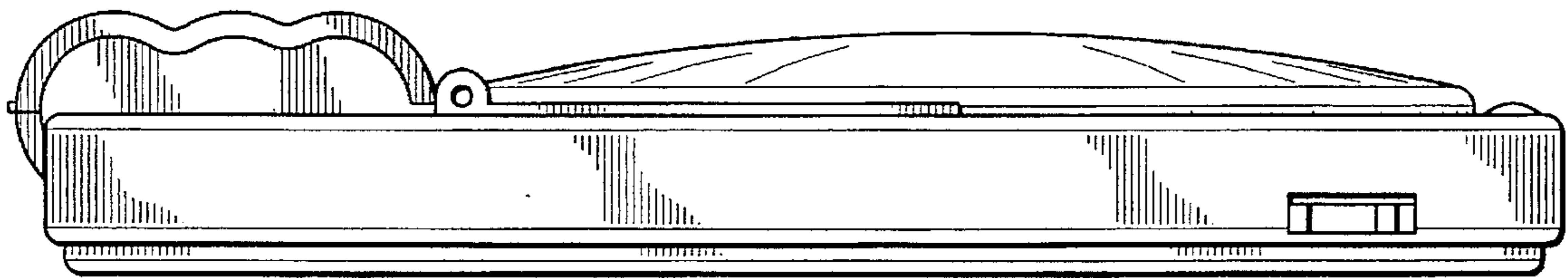


FIG. 7