



US00D382256S

United States Patent [19] Lin

[11] Patent Number: **Des. 382,256**

[45] Date of Patent: ****Aug. 12, 1997**

[54] **SCANNER**

[75] Inventor: **Art Lin, Hsien, Taiwan**

[73] Assignee: **Silitek Corporation, Taipei, Taiwan**

[**] Term: **14 Years**

[21] Appl. No.: **52,976**

[22] Filed: **Apr. 12, 1996**

[51] LOC (6) Cl. **14-02**

[52] U.S. Cl. **D14/107; D18/50**

[58] **Field of Search** D14/100, 105,
D14/107; D18/36, 37, 39, 50, 54, 55; D16/223,
232; 250/556, 563; 382/312, 313, 318,
319, 321, 322, 325; 283/70, 74, 75; 235/379,
380, 382, 454, 462, 470; 355/64, 65, 75,
231, 233; 358/408, 472, 474, 497

[56] **References Cited**

U.S. PATENT DOCUMENTS

D. 349,922 8/1994 Tashiro D18/50

D. 352,731 11/1994 Sugimoto D18/50

D. 372,467 8/1996 Lee D14/107

D. 373,595 9/1996 Askren et al. D18/50

Primary Examiner—Freda Nunn

Attorney, Agent, or Firm—Morton J. Rosenberg; David I. Klein

[57] **CLAIM**

The ornamental design for scanner, as shown and described.

DESCRIPTION

FIG. 1 is the perspective view of a scanner showing my new design;

FIG. 2 is the front elevational view thereof;

FIG. 3 is the rear elevational view thereof;

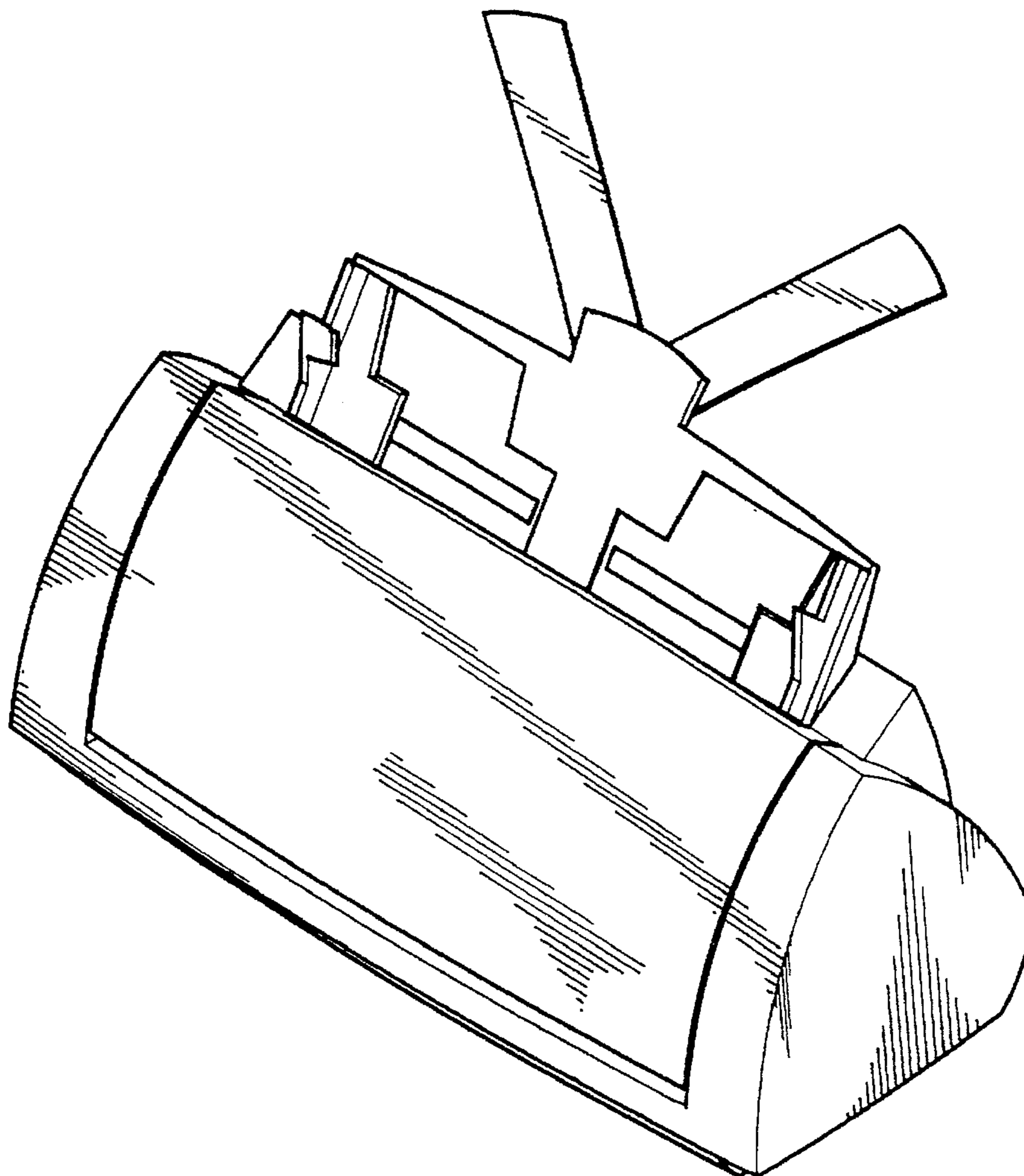
FIG. 4 is the left side elevational view thereof;

FIG. 5 is the right side elevational view thereof;

FIG. 6 is the top plan view thereof; and,

FIG. 7 is the bottom plan view thereof.

1 Claim, 4 Drawing Sheets



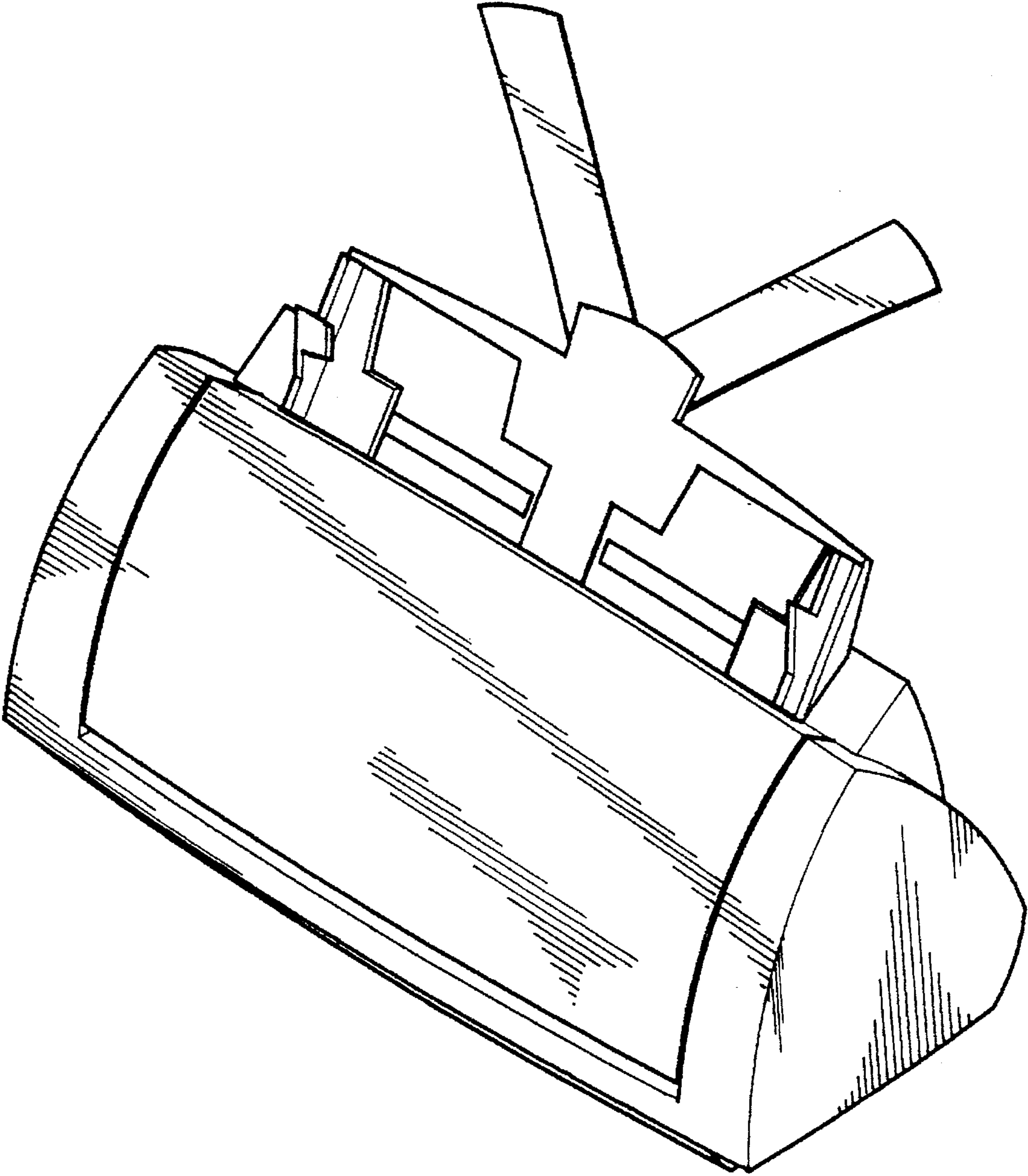


FIG. 1

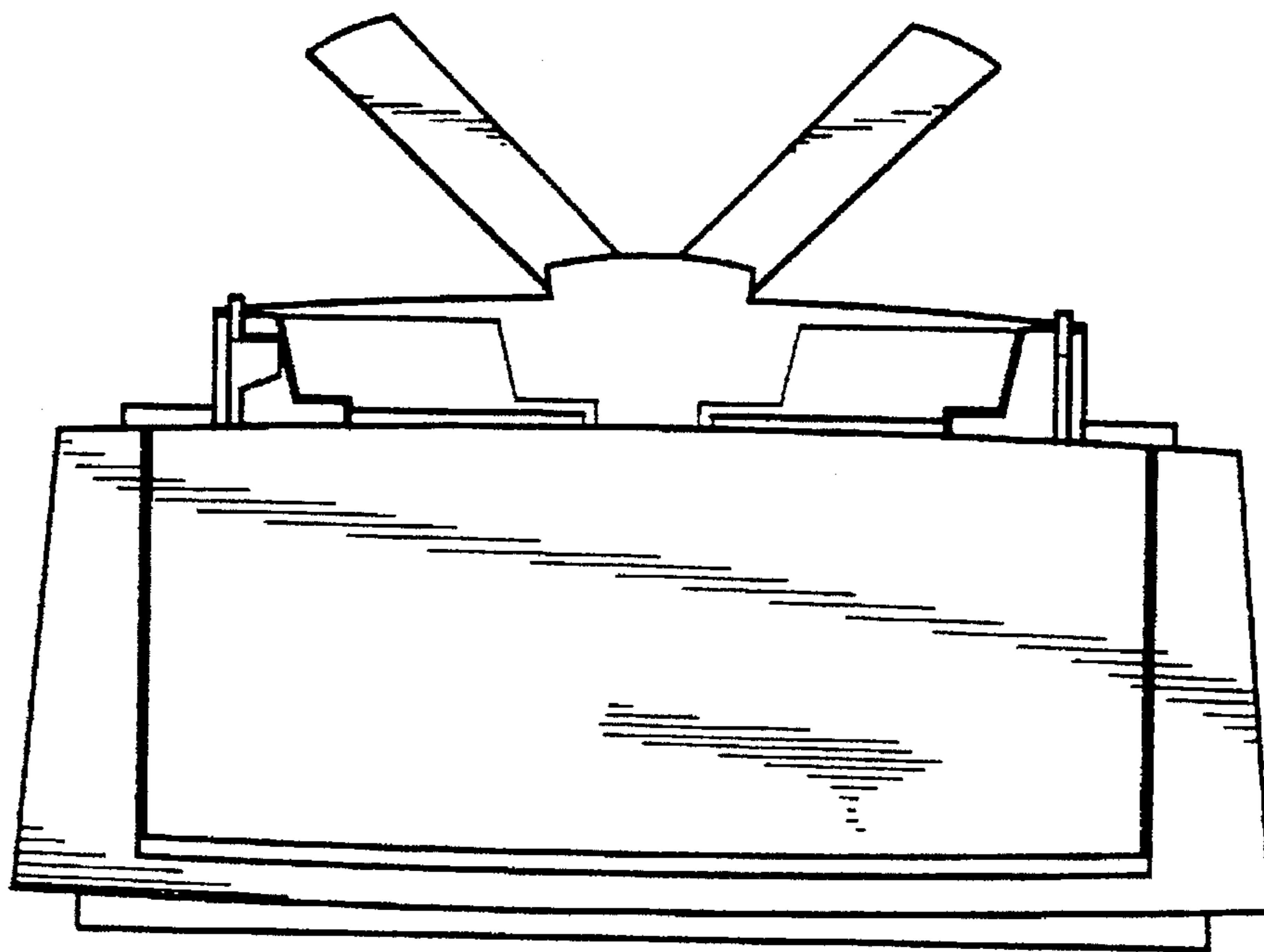


FIG. 2

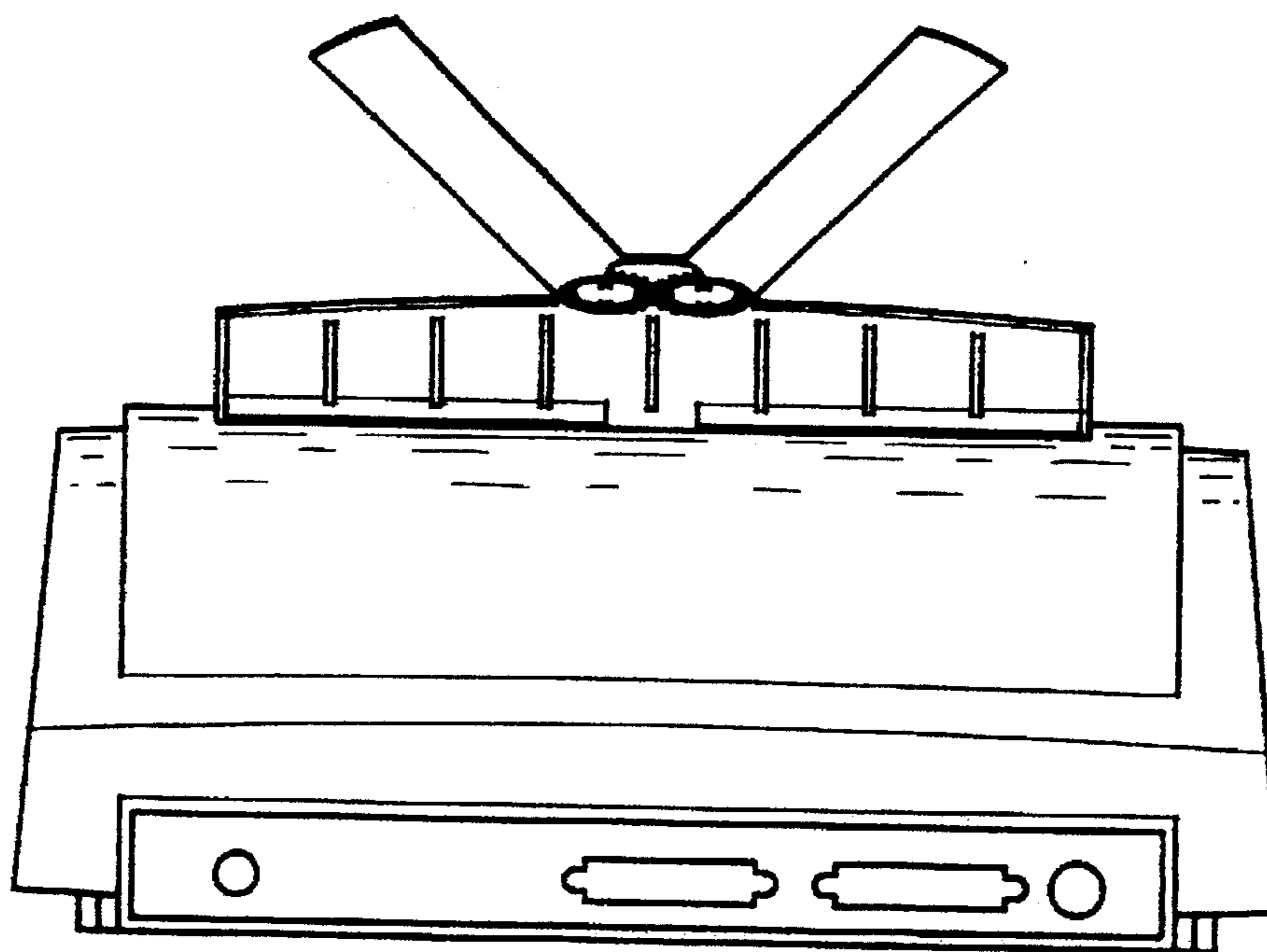


FIG. 3

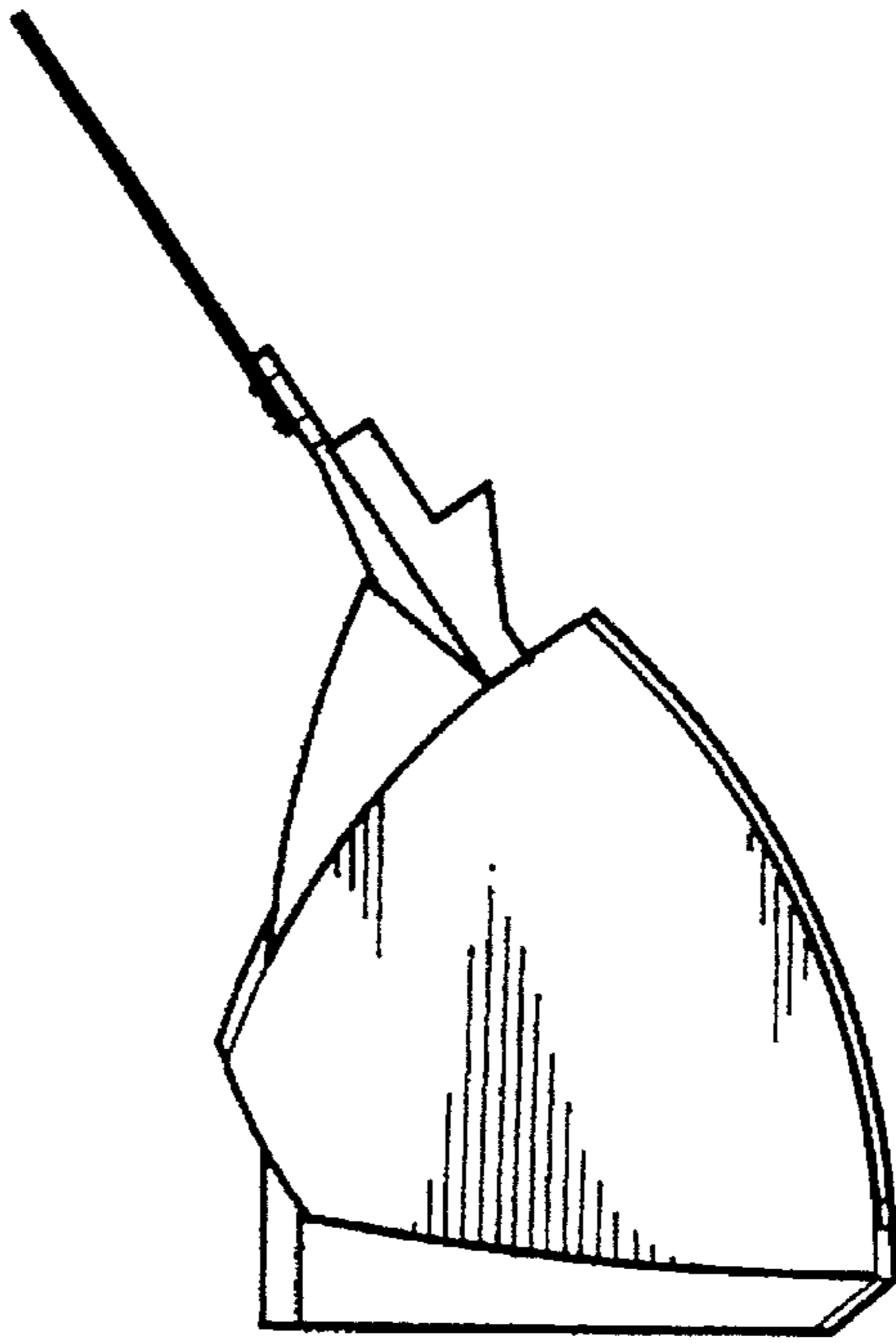


FIG. 4

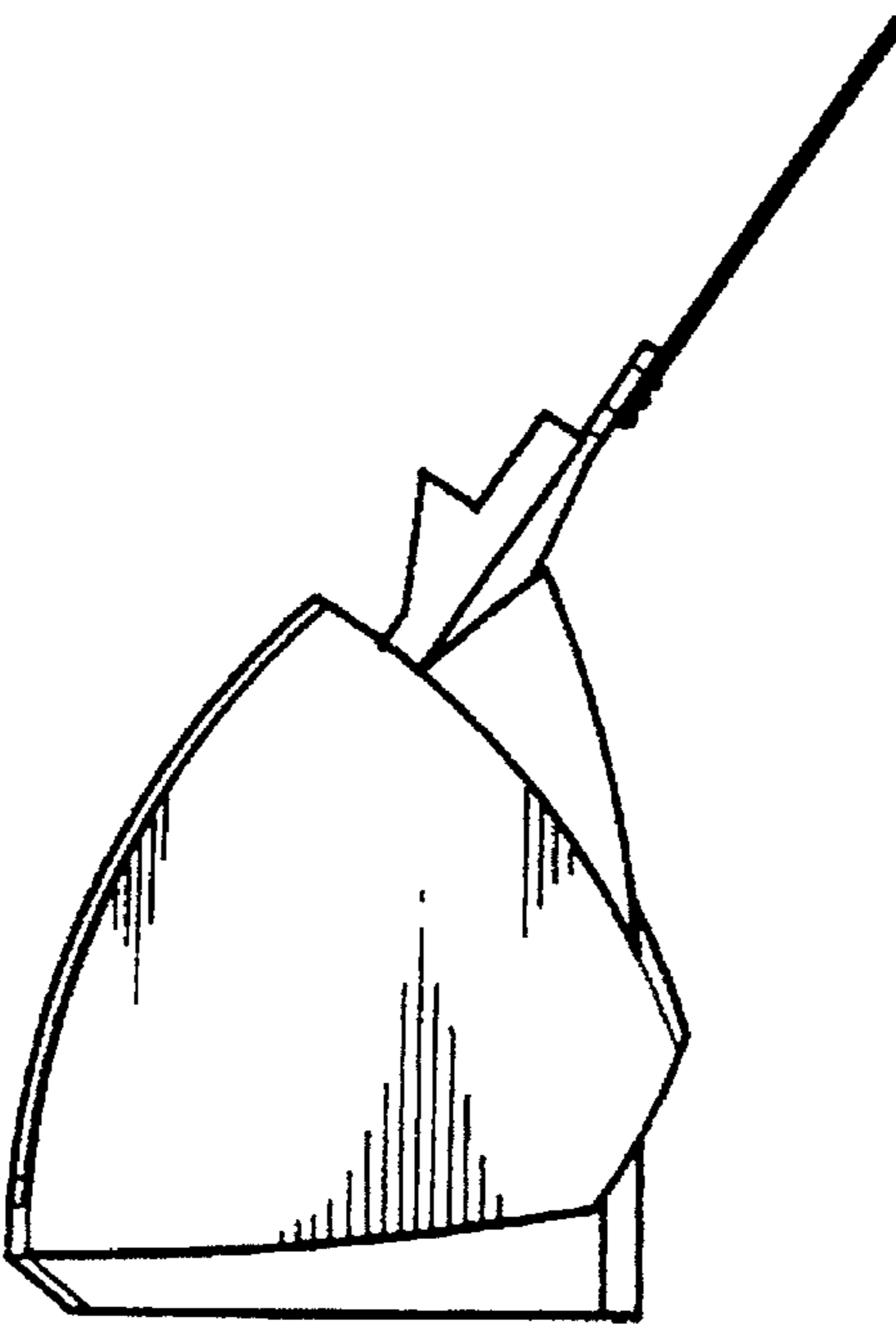


FIG. 5

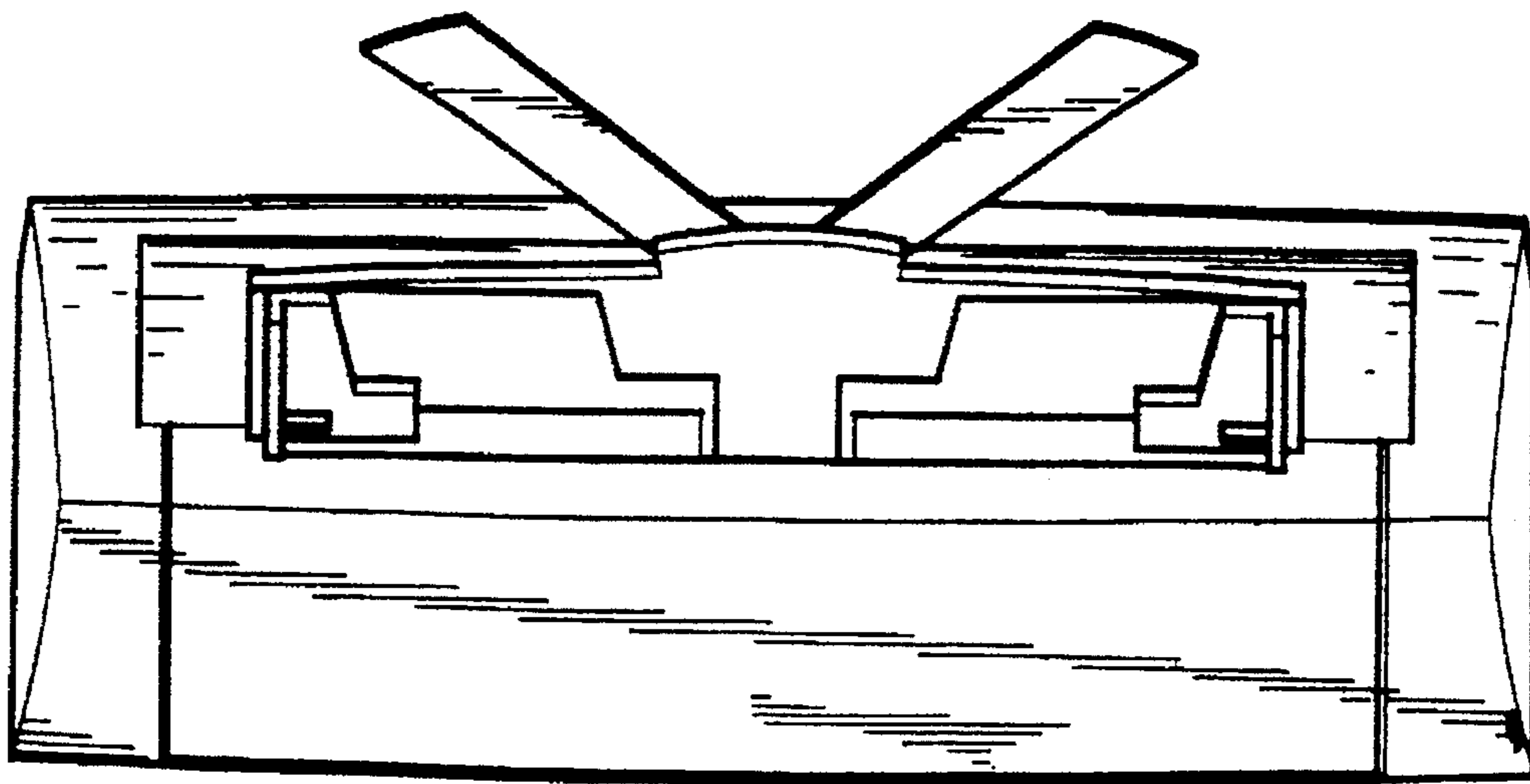


FIG. 6

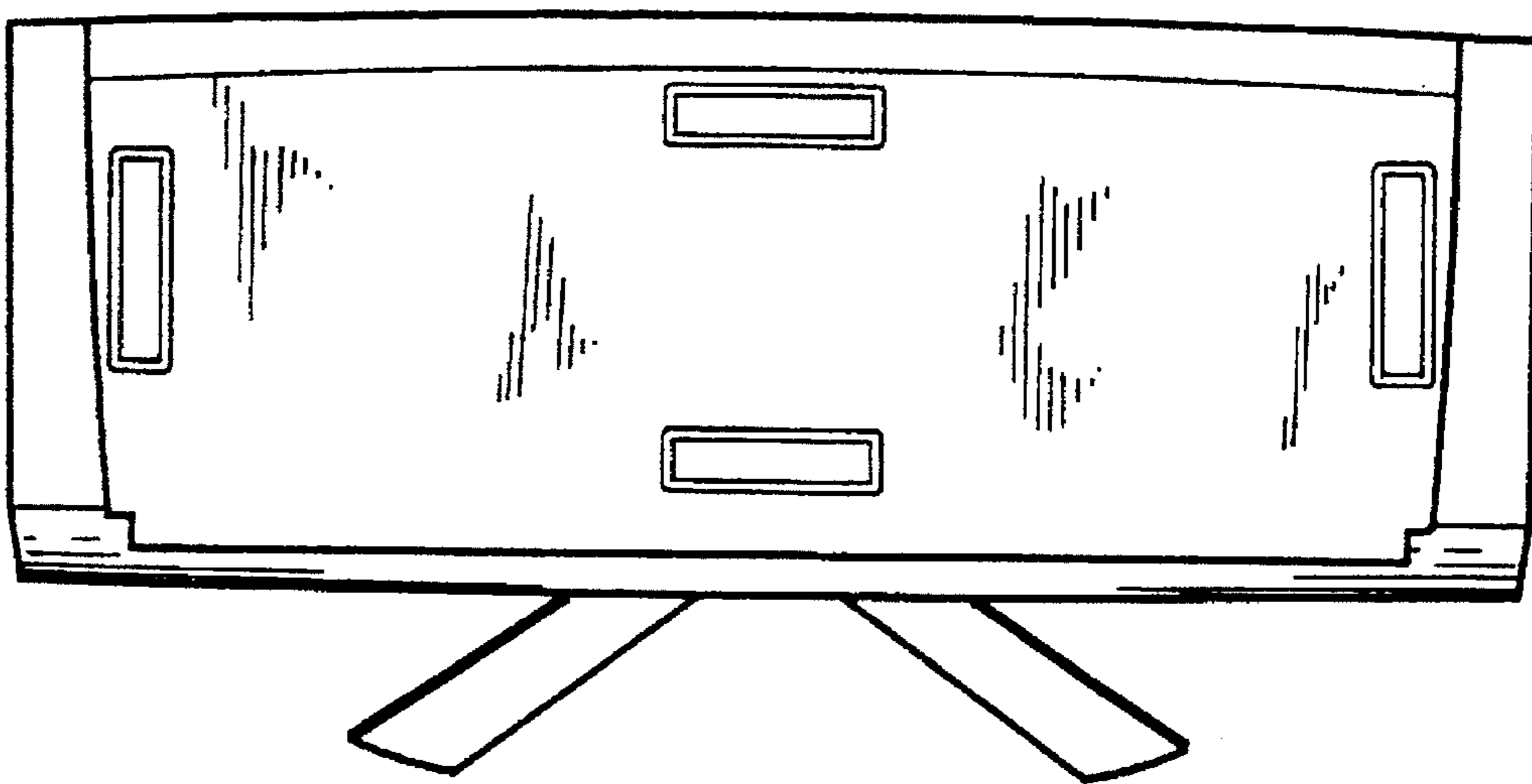


FIG. 7