



US00D382252S

United States Patent [19] Christin

[11] Patent Number: **Des. 382,252**
[45] Date of Patent: ****Aug. 12, 1997**

[54] **COMBINED RECORDING,
TELECOMMUNICATION AND DATA
PROCESSING EQUIPMENT**

D. 306,287 2/1990 Kuba D14/113

[76] Inventor: **Yves Christin**, 34 Avenue du Général
Leclerc, 94444 Santeny, France

Primary Examiner—Freda Nunn
Attorney, Agent, or Firm—Greenblum & Bernstein P.L.C.

[**] Term: **14 Years**

[57] **CLAIM**

[21] Appl. No.: **38,651**

The ornamental design for a combined recording telecommunication and data processing equipment, as shown and described.

[22] Filed: **May 11, 1995**

DESCRIPTION

[30] **Foreign Application Priority Data**

Feb. 23, 1995 [XH] Hague Agreement 000590

FIG. 1 is a right side perspective view of the combined recording, telecommunication and data processing equipment according to the present invention;

[51] LOC (6) Cl. **14-02**

FIG. 2 is a front elevational view thereof;

[52] U.S. Cl. **D14/100**

FIG. 3 is a rear elevational view thereof;

[58] Field of Search D14/100, 101,
D14/106, 113, 124-129; 345/104, 133,
156, 168, 173, 87, 901-905; 358/249, 254,
255; 248/917-924

FIG. 4 is a left side elevational view thereof;

FIG. 5 is a right side elevational view thereof;

FIG. 6 is a top plan view thereof; and,

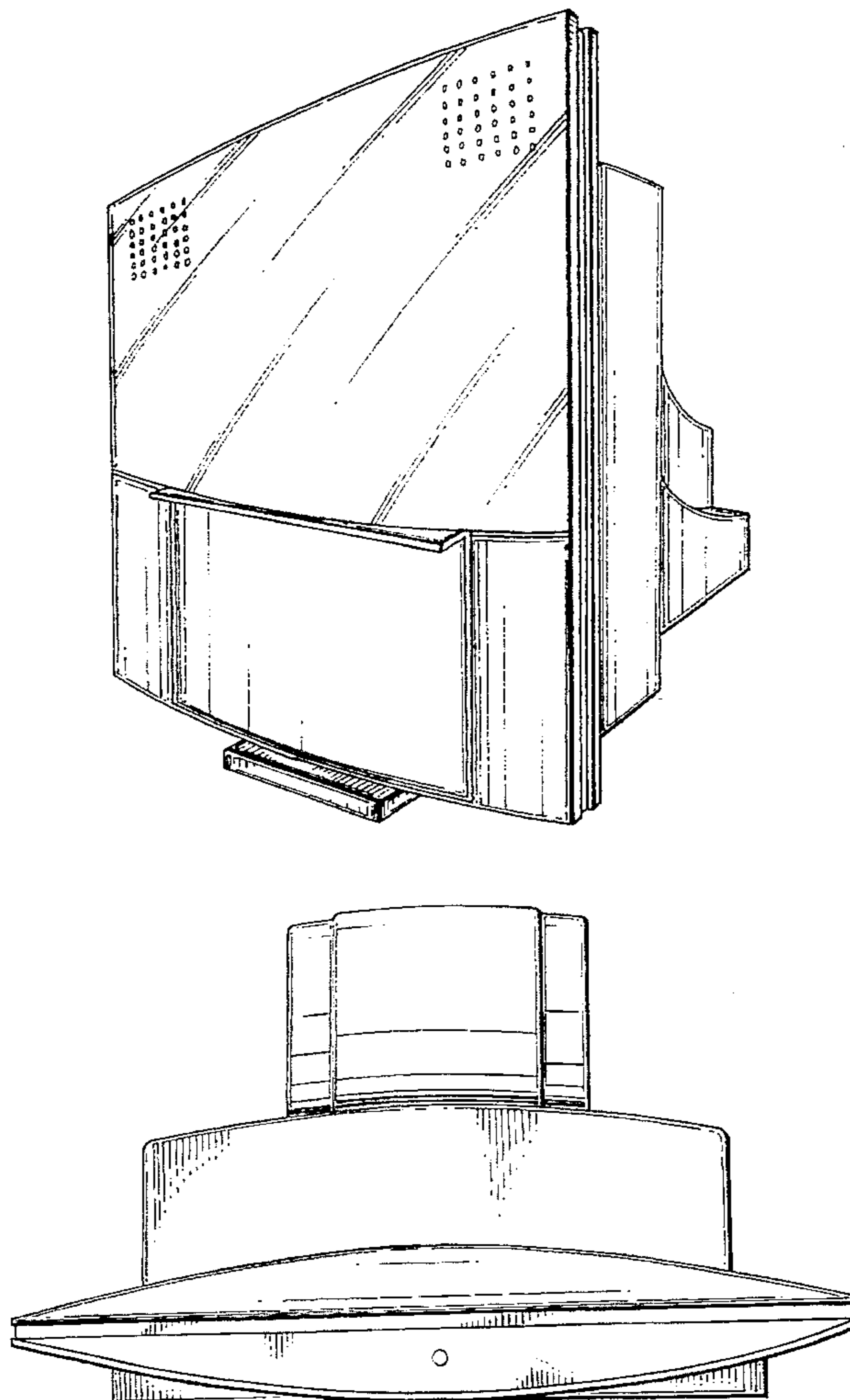
FIG. 7 is a bottom plan view thereof.

[56] **References Cited**

U.S. PATENT DOCUMENTS

D. 303,793 10/1989 Kuba D14/113

1 Claim, 5 Drawing Sheets



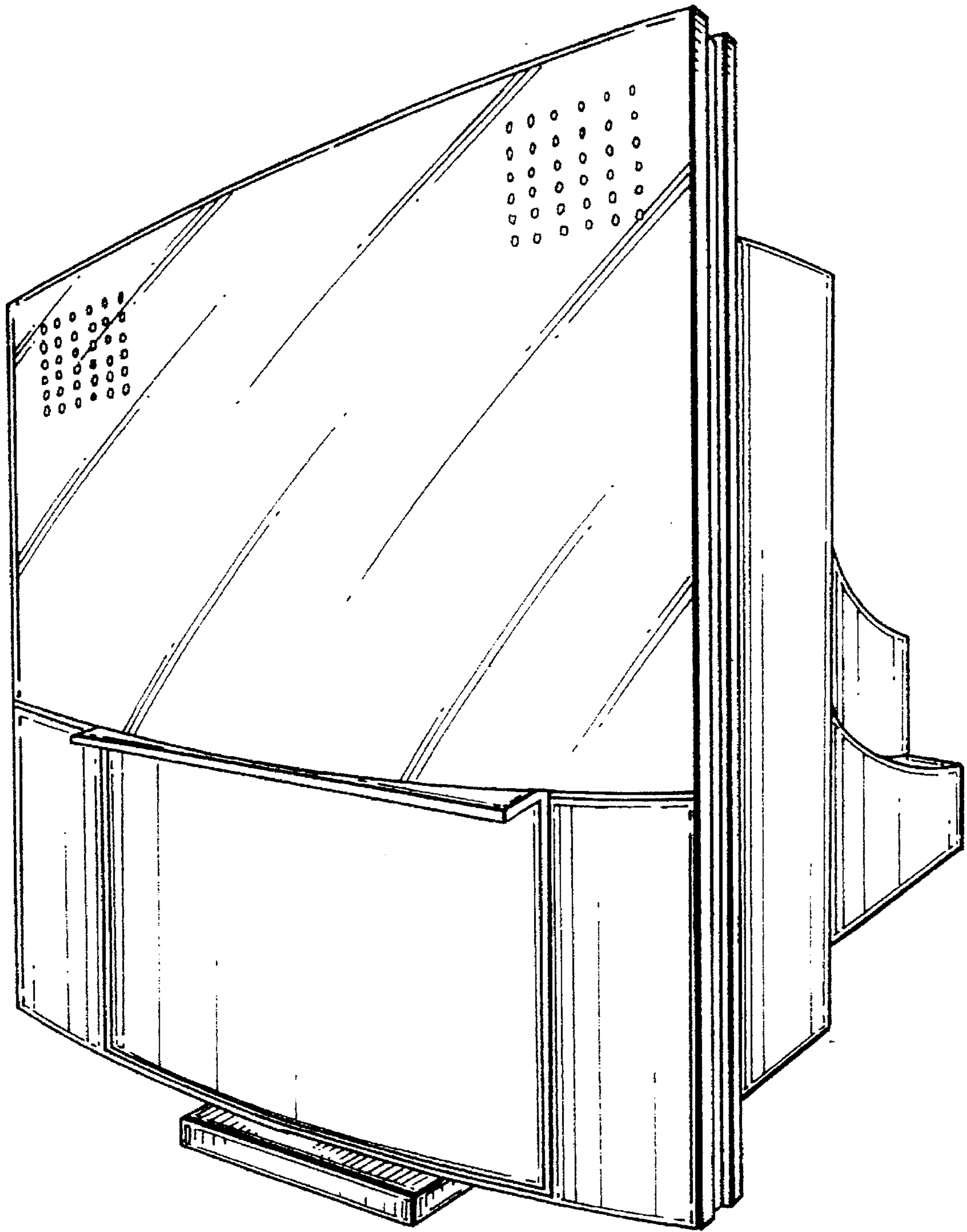


FIG - 1

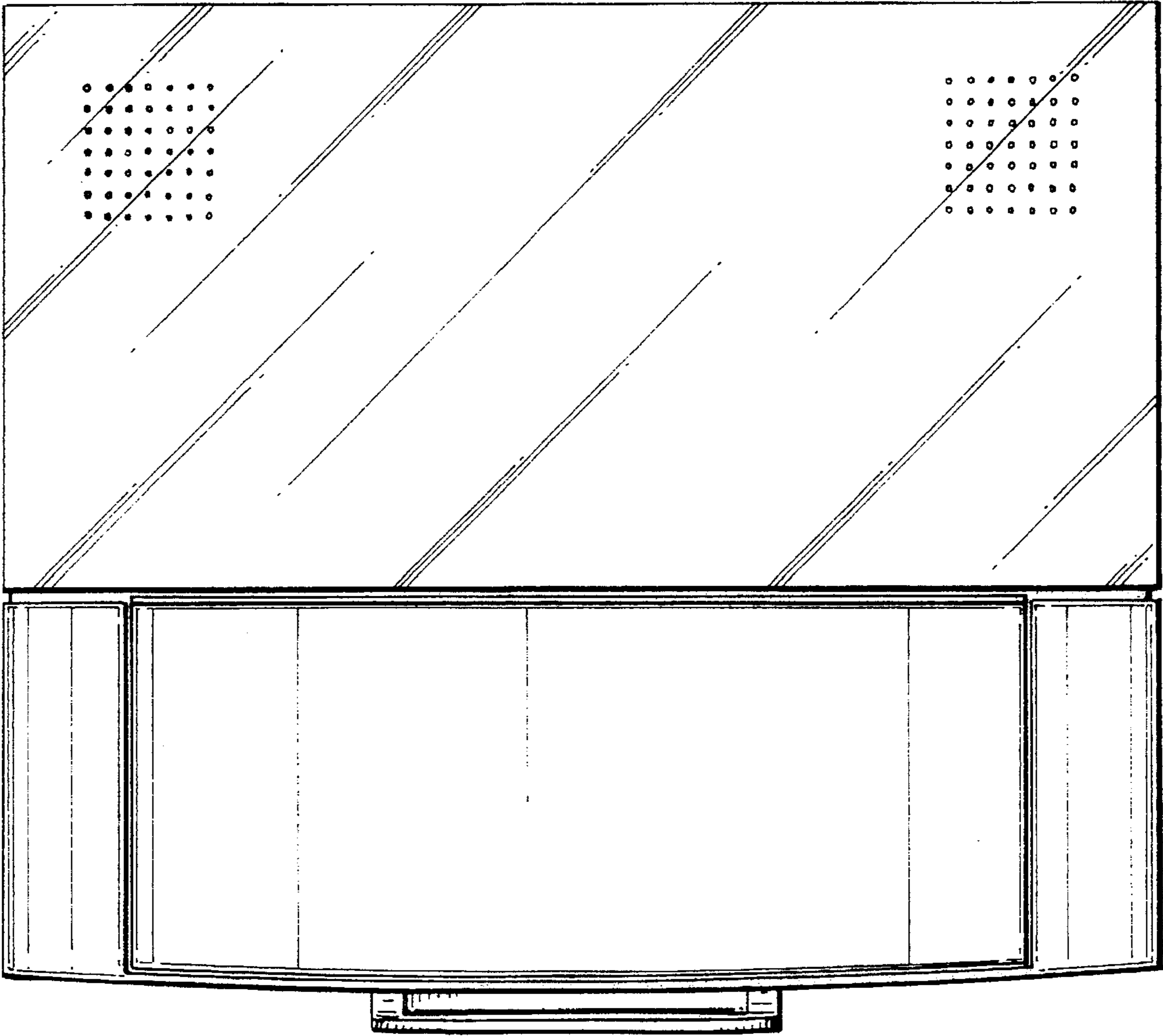


FIG - 2

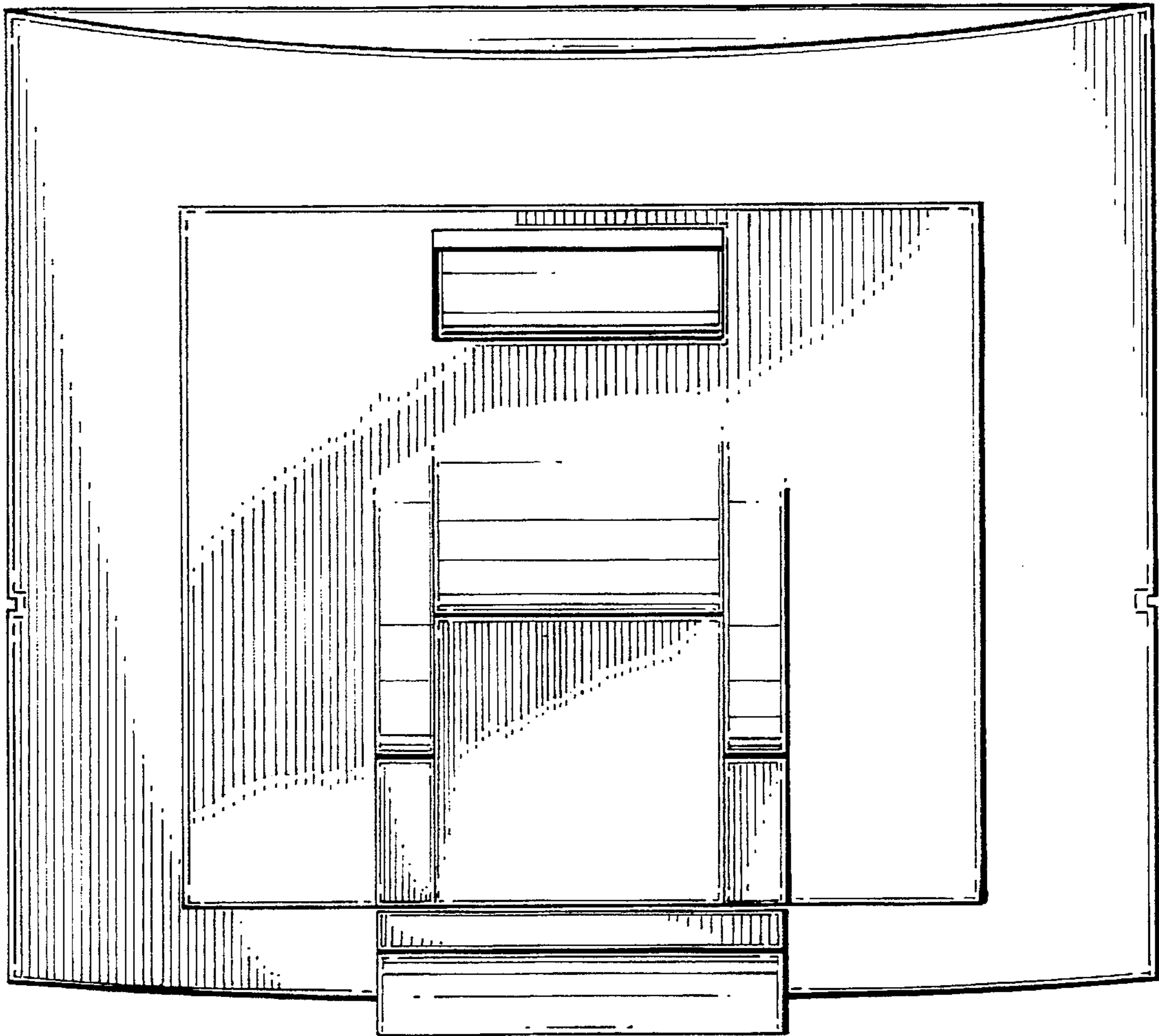


FIG - 3

