



US00D382249S

United States Patent [19]

Rak et al.

[11] Patent Number: Des. 382,249

[45] Date of Patent: **Aug. 12, 1997

[54] TOP, FRONT, REAR, AND SIDES OF A BATTERY CHARGER

[75] Inventors: Roman Peter Rak, Delta, Canada; Teffy R. Chamoun, Bloomingdale, Ill.

[73] Assignee: Motorola, Inc., Schaumburg, Ill.

[**] Term: 14 Years

[21] Appl. No.: 38,038

[22] Filed: Apr. 26, 1995

[51] LOC (6) Cl. 13-02

[52] U.S. Cl. D13/107

[58] Field of Search D13/107, 108; 320/2, 3, 4, 15

[56] References Cited

U.S. PATENT DOCUMENTS

- D. 296,685 7/1988 Arita D13/107
- D. 331,220 11/1992 Tsuchiya D13/107
- 4,746,851 5/1988 Otto et al. 320/2

FOREIGN PATENT DOCUMENTS

724985 2/1988 Japan D13/107

OTHER PUBLICATIONS

Battery chargers from *Hong Kong Enterprise*, Oct. 1993. Eveready battery charger FCC2 on Eveready literature ©1988.

Primary Examiner—Joel Sincavage
Attorney, Agent, or Firm—Donna Rogers Maddox

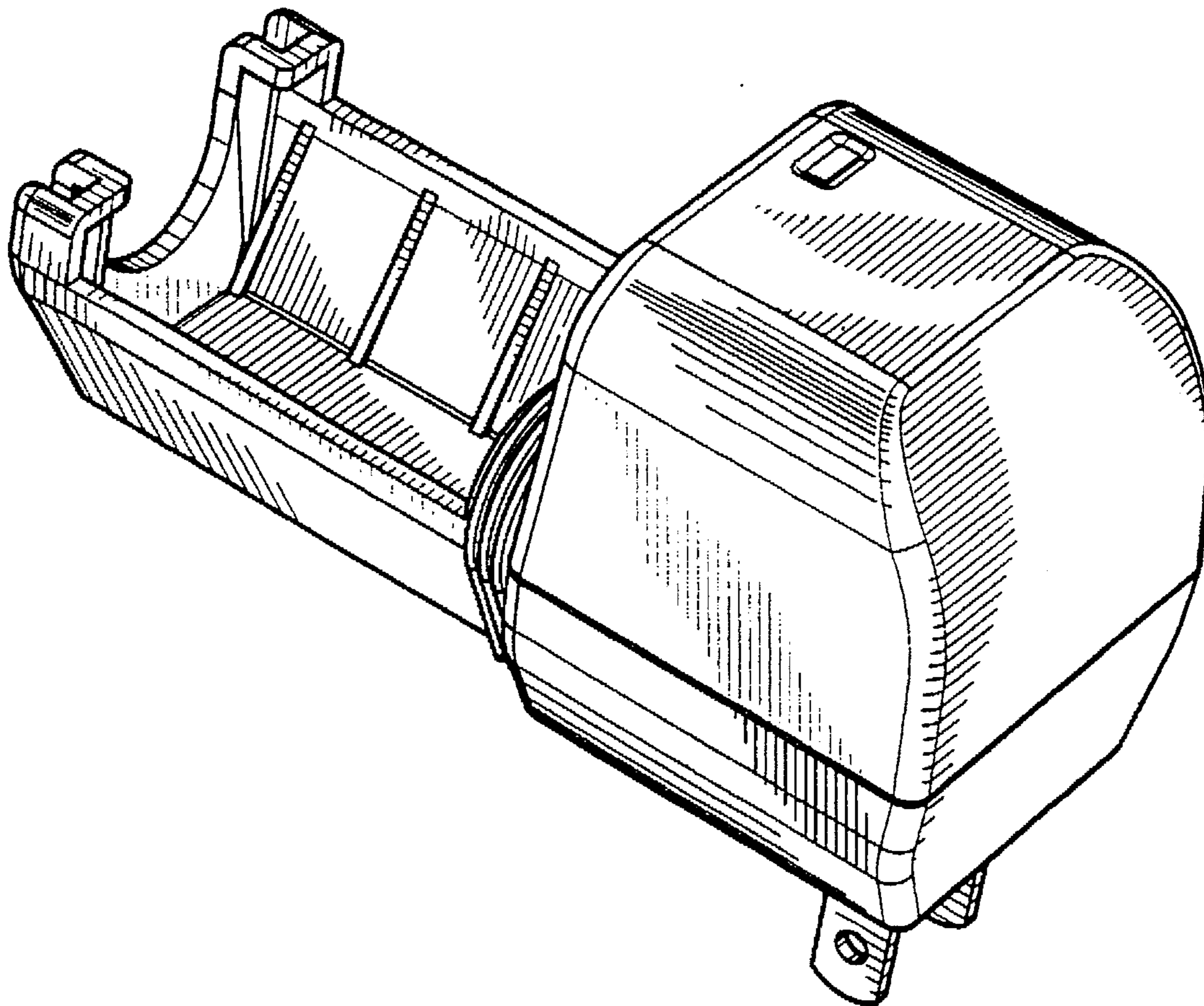
[57] CLAIM

The ornamental design for a top, front, rear and sides of a "battery charger", as shown and described.

DESCRIPTION

FIG. 1 is a top, front, and left side perspective view of the top, front, rear and sides of a battery charger showing our new design in which the top, inner, left surface has the same appearance as the top inner right surface; FIG. 2 is a right side elevational view thereof; and, FIG. 3 is a rear side elevational view thereof.

1 Claim, 1 Drawing Sheet



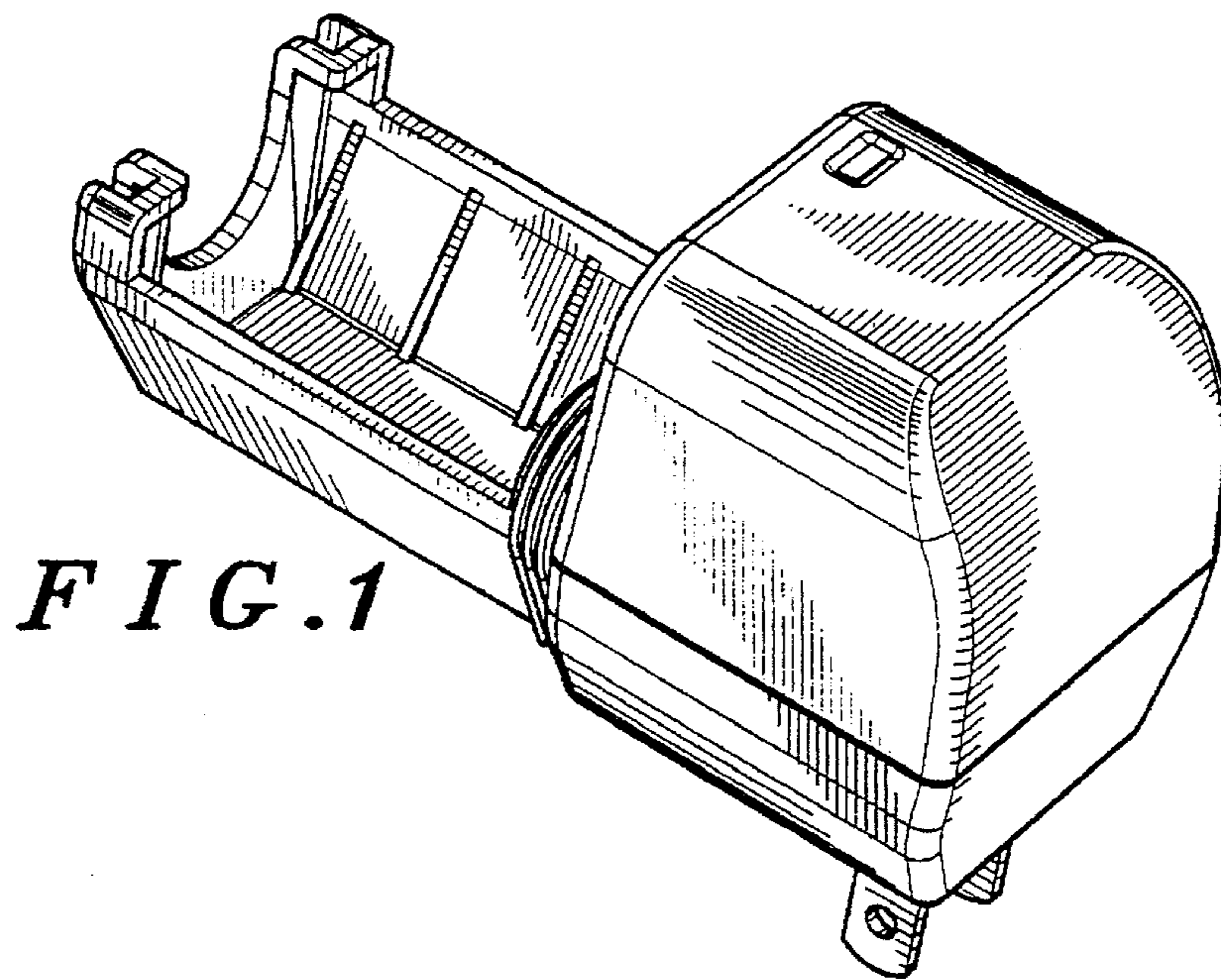


FIG. 1

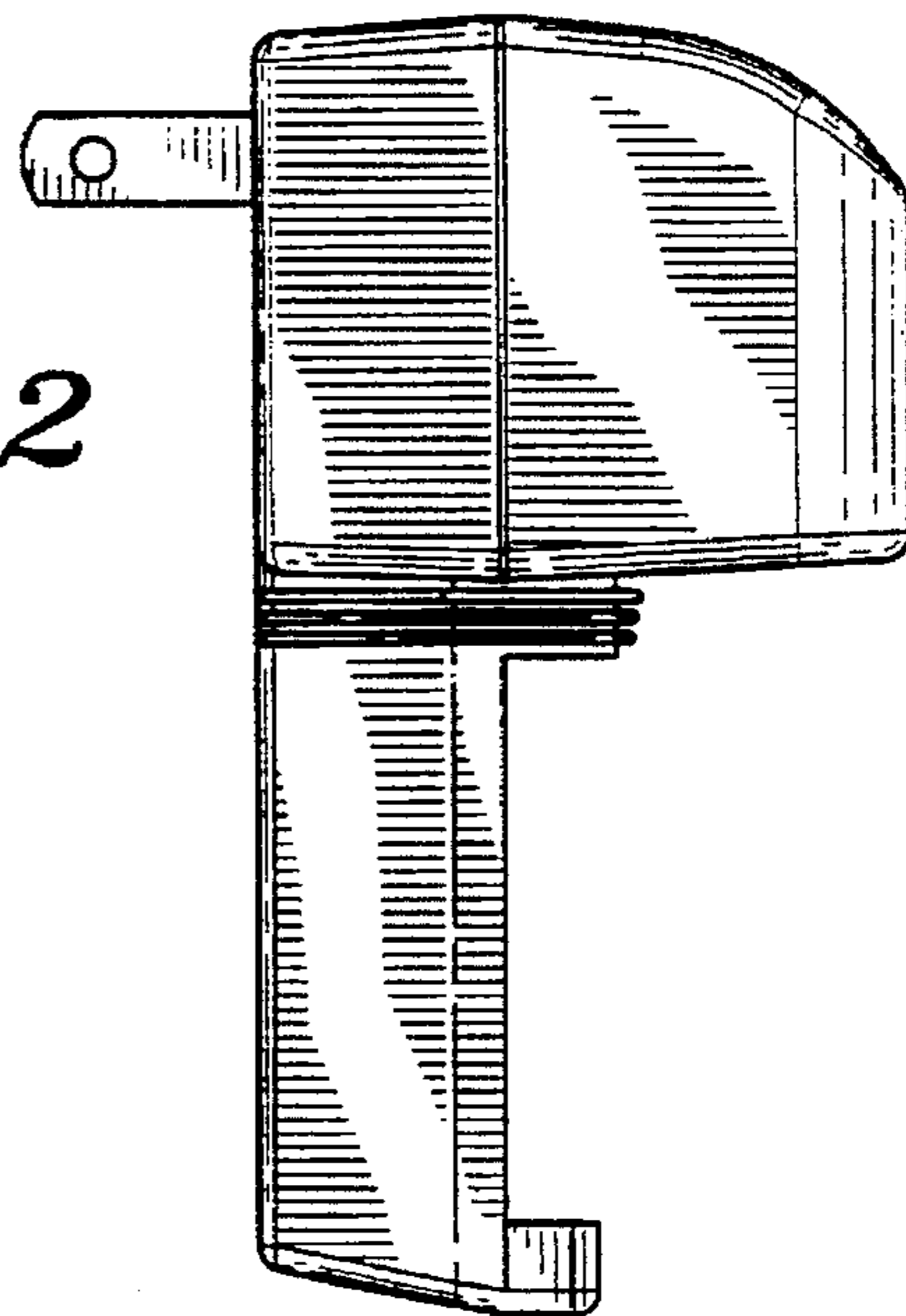


FIG. 2

FIG. 3

