



US00D382248S

# United States Patent [19]

[11] Patent Number: **Des. 382,248**

Long

[45] Date of Patent: **\*\*Aug. 12, 1997**

[54] **CAMPING TENT FOR VEHICLE BED**

5,186,513 2/1993 Strothers ..... 296/100  
5,353,826 10/1994 Davis, Sr. .... 135/88.13

[76] Inventor: **Gregory F. Long**, 5106 Service Center Dr., San Antonio, Tex. 78218

*Primary Examiner*—Melody N. Brown  
*Attorney, Agent, or Firm*—Harris, Tucker & Hardin, P.C.

[\*\*] Term: **14 Years**

## [57] CLAIM

[21] Appl. No.: **48,382**

The ornamental design for a camping tent for vehicle bed, as shown and described.

[22] Filed: **Dec. 27, 1995**

## DESCRIPTION

[51] LOC (6) Cl. .... **12-16**

[52] U.S. Cl. .... **D12/403**

[58] Field of Search ..... D12/403, 401;  
296/164, 159, 100, 104, 105; 135/88, 88.09,  
88.13

FIG. 1 is top, front and side perspective view of a camping tent for vehicle bed showing ny new design, the broken lines are shown for illustrative purposes only and form no part of the claimed design;

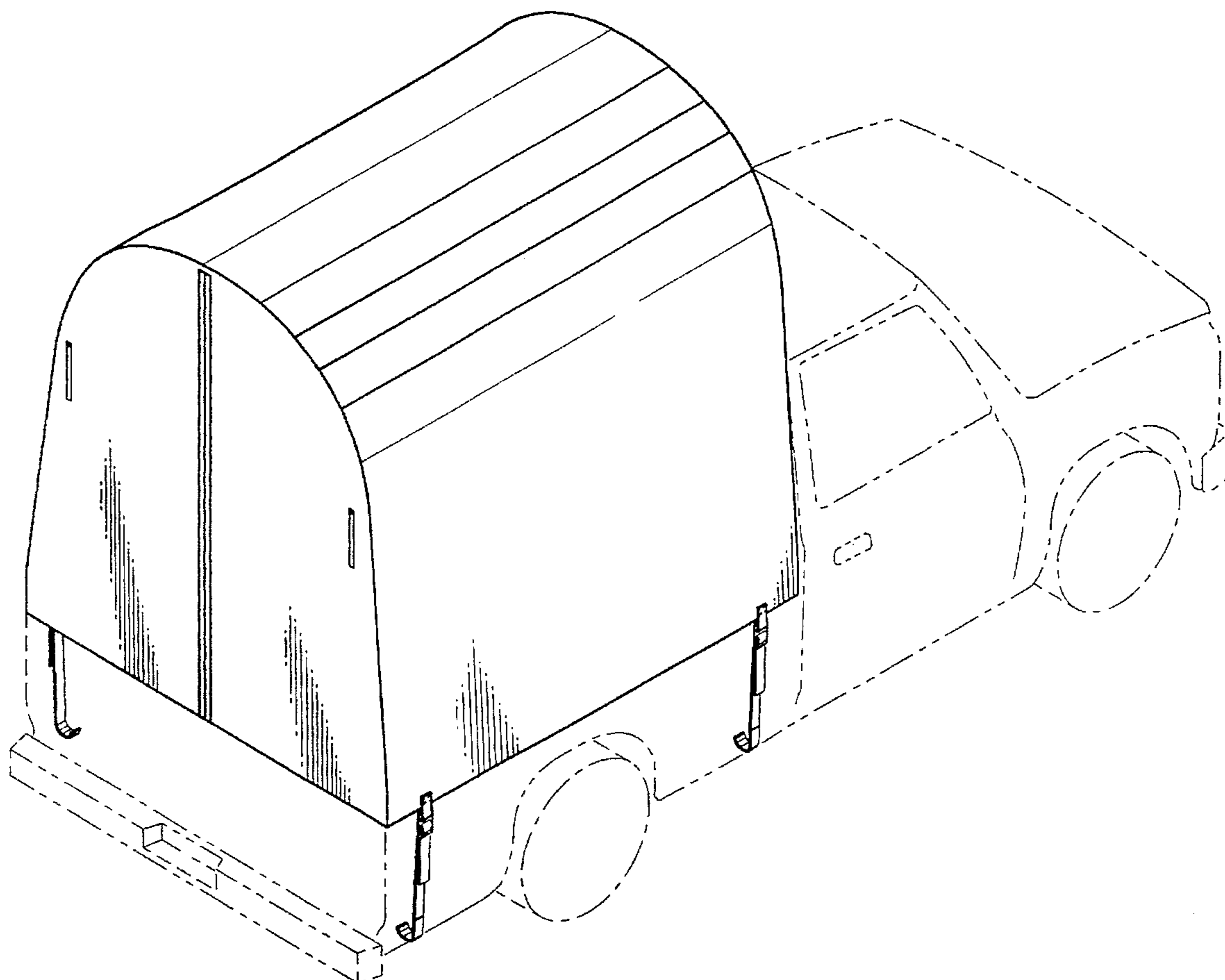
FIG. 2 is a side view of the camping tent for vehicle bed; FIG. 3 is a front view of the camping tent for vehicle bed; FIG. 4 is a back view of the camping tent for vehicle bed; FIG. 5 is a top view of the camping tent for vehicle bed; and, FIG. 6 is a bottom view of the camping tent for vehicle bed.

## [56] References Cited

### U.S. PATENT DOCUMENTS

D. 153,858	5/1949	Cosner	.....	D12/403
D. 337,919	8/1993	Napieraj	.....	D12/403
D. 344,920	3/1994	McGruder et al.	.....	D12/401
D. 352,690	11/1994	Schorr	.....	D12/403

**1 Claim, 4 Drawing Sheets**



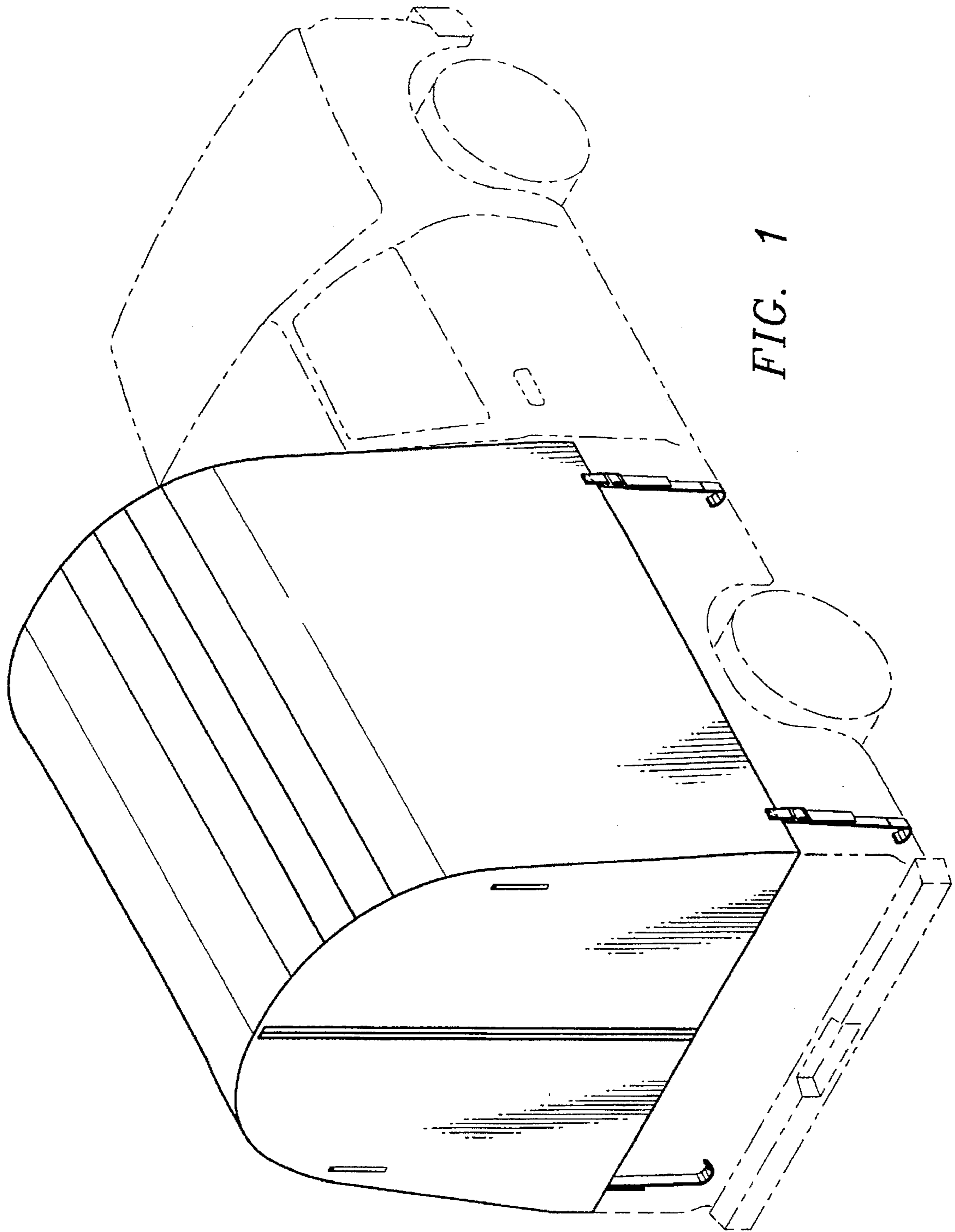


FIG. 1

FIG. 2

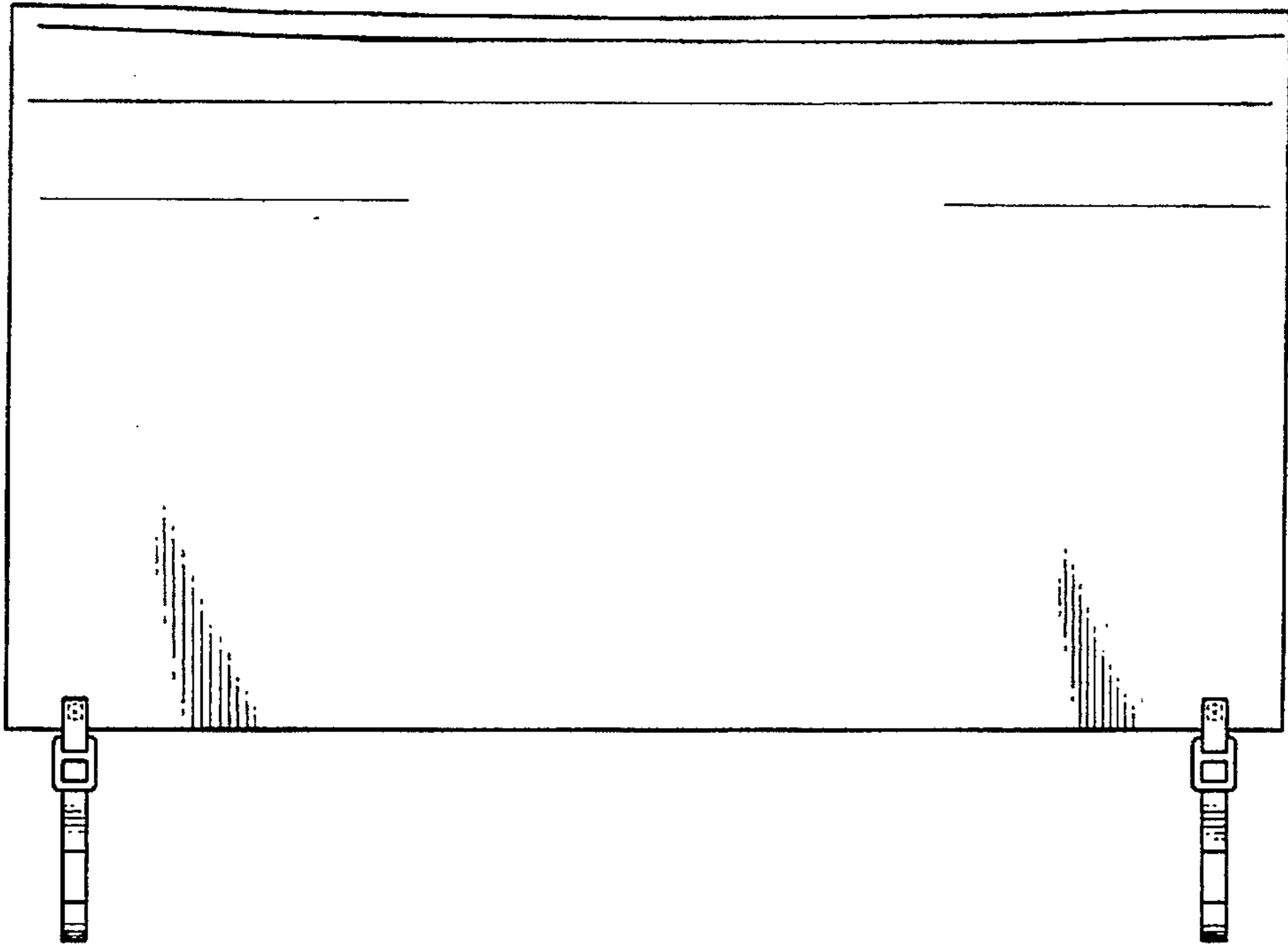


FIG. 3

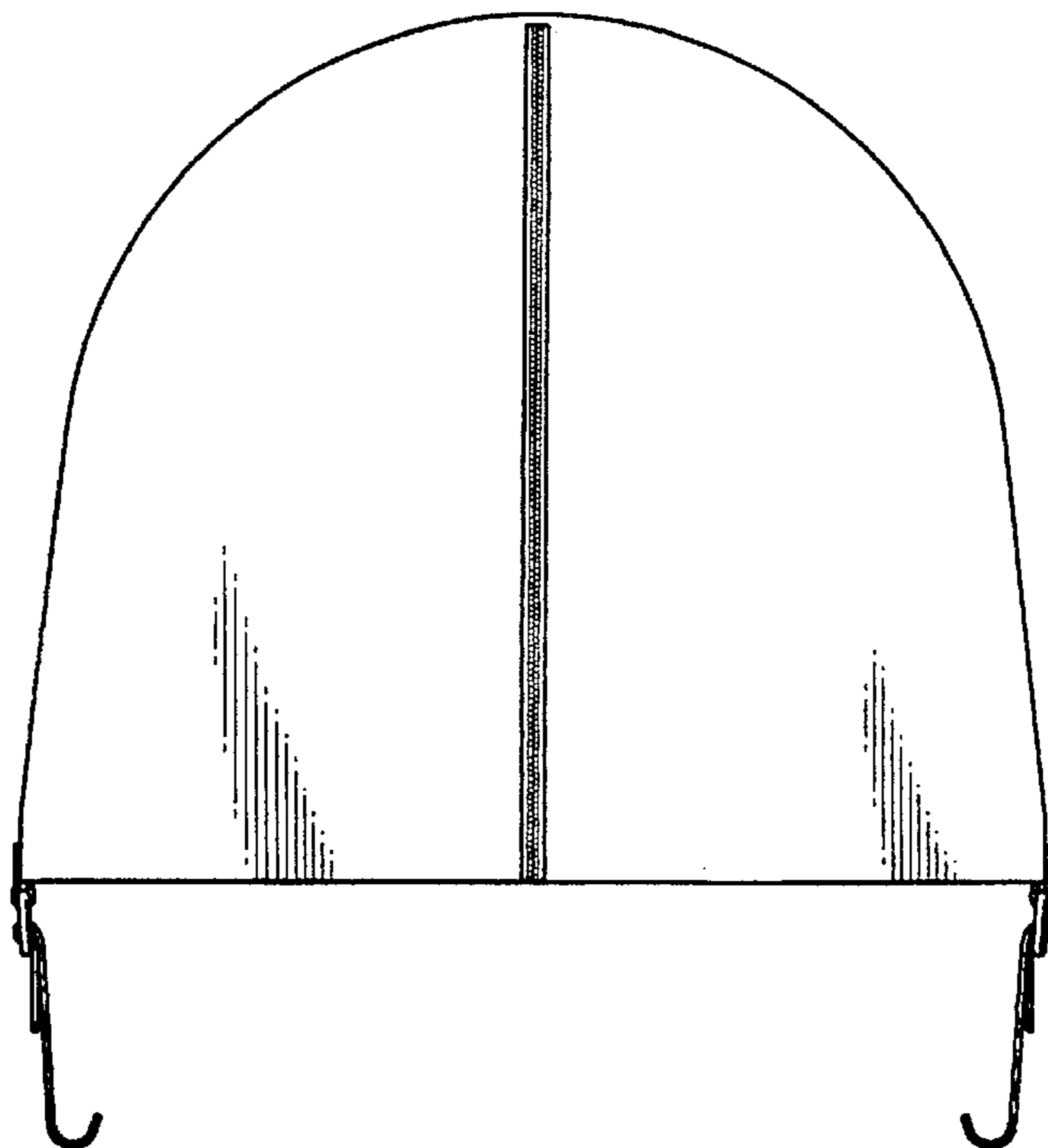


FIG. 4

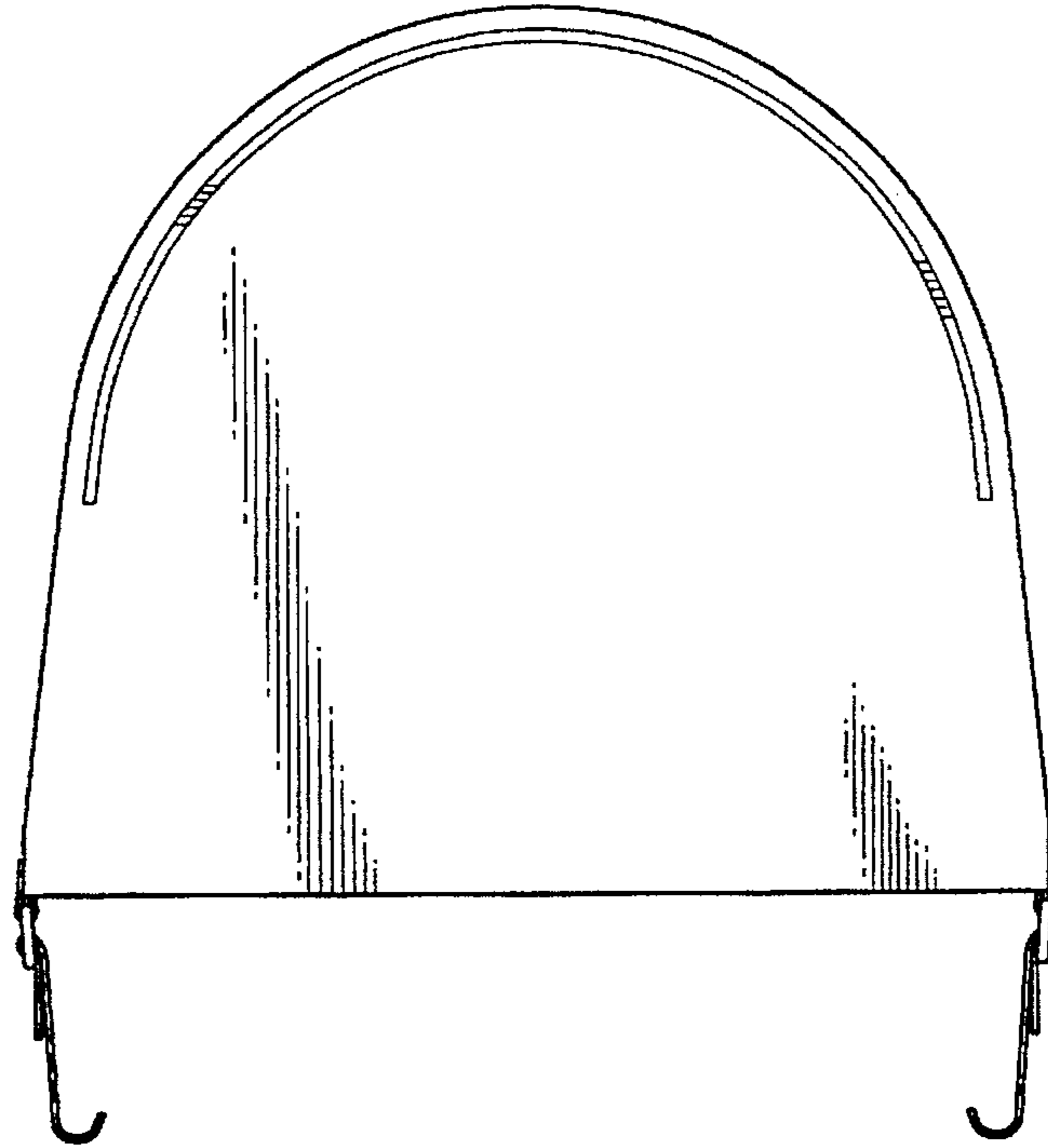


FIG. 5

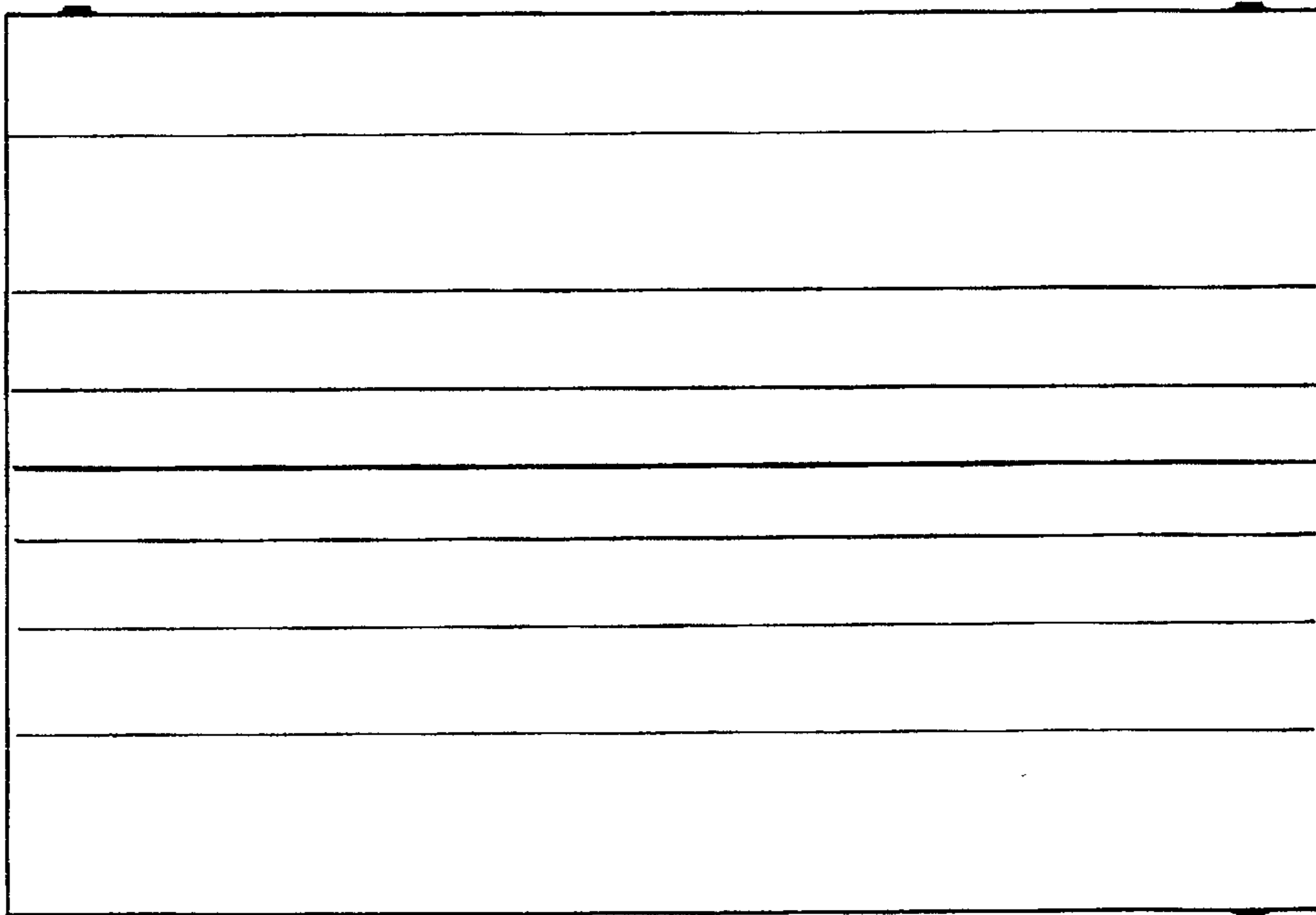


FIG. 6

