



US00D382247S

# United States Patent [19]

[11] Patent Number: **Des. 382,247**

Lindberg

[45] Date of Patent: **\*\*Aug. 12, 1997**

[54] **TENT FRAME FOR PICKUP BED**

4,883,305 11/1989 Horton ..... 296/105  
5,353,826 10/1994 Davis, Sr. .... 296/100 X

[76] Inventor: **Robert E. Lindberg**, 538 Prima Vera St., Clifton, Colo. 81520

*Primary Examiner*—Doris V. Coles  
*Assistant Examiner*—Catherine R. Oliver  
*Attorney, Agent, or Firm*—Donald W. Erickson

[\*\*] Term: **14 Years**

[57] **CLAIM**

[21] Appl. No.: **46,509**

The ornamental design for a tent frame for pickup bed, as shown and described.

[22] Filed: **Nov. 17, 1995**

[51] LOC (6) Cl. .... **12-16**

[52] U.S. Cl. .... **D12/403**

[58] **Field of Search** ..... D12/403, 219,  
D12/220; 296/102, 104, 105, 180; 135/88.01,  
88.02, 88.05, 88.09, 88.13, 88.14

**DESCRIPTION**

[56] **References Cited**

**U.S. PATENT DOCUMENTS**

|           |        |                       |             |
|-----------|--------|-----------------------|-------------|
| 8,222     | 7/1851 | Hibbard .....         | 135/88.02 X |
| 849,675   | 4/1907 | Gilleland et al. .... | 296/105     |
| 2,068,041 | 1/1937 | Tate, Sr. ....        | 296/105     |
| 2,469,958 | 5/1949 | Fowler .....          | 296/105     |
| 4,263,925 | 4/1981 | Arganbright .....     | 135/88.13 X |
| 4,402,544 | 9/1983 | Artim et al. ....     | 135/88.05 X |

FIG. 1 is a perspective view of a tent frame for pickup bed showing my new design;

FIG. 2 is a side elevational view, the opposite side being a mirror image thereof;

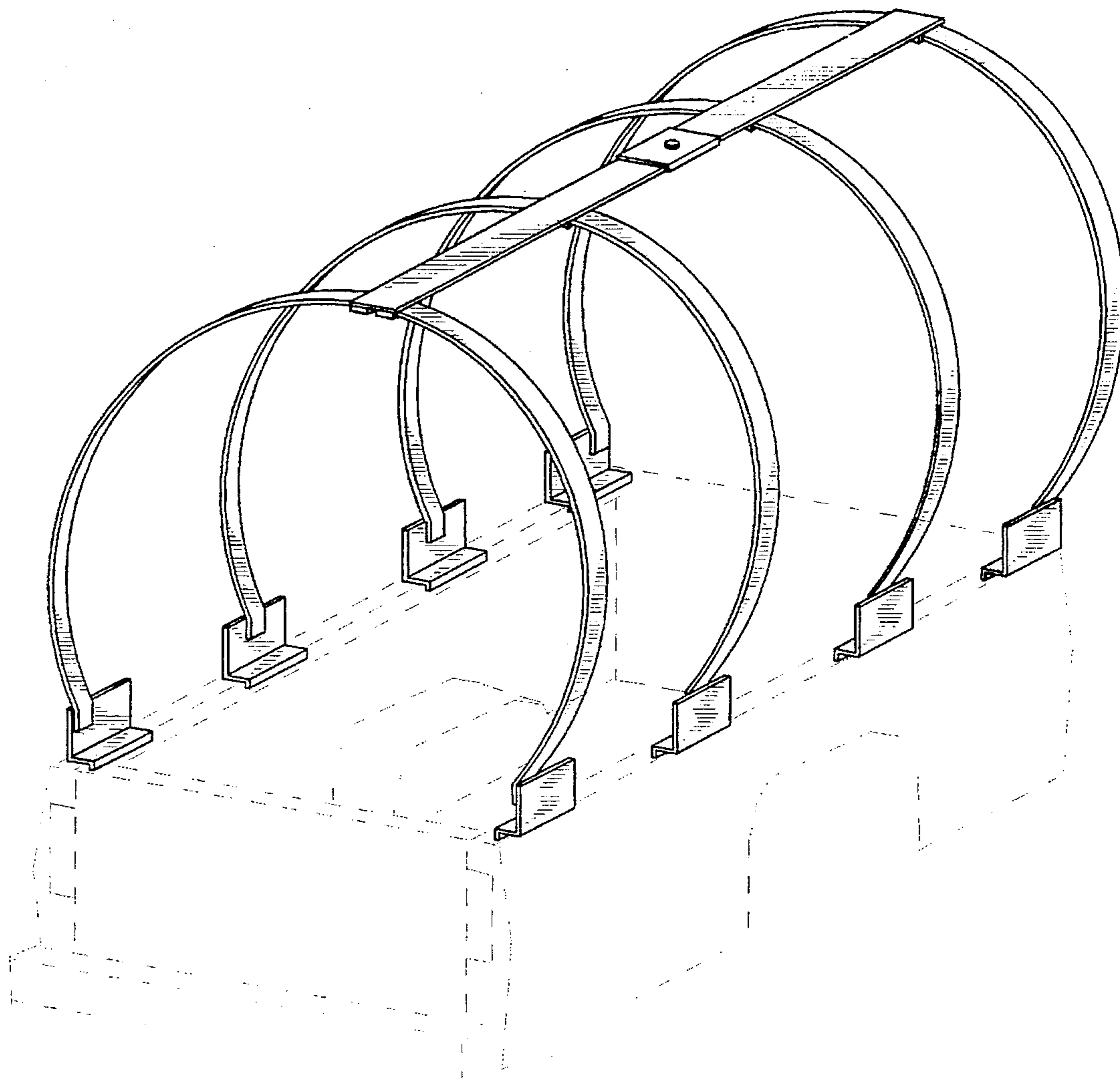
FIG. 3 is a front elevational view, the rear being a mirror image thereof;

FIG. 4 is a top plan view thereof; and,

FIG. 5 is a bottom view thereof.

The broken line showing of a pickup bed in FIG. 1 is for illustrative purposes only and forms no part of the claimed design.

**1 Claim, 5 Drawing Sheets**



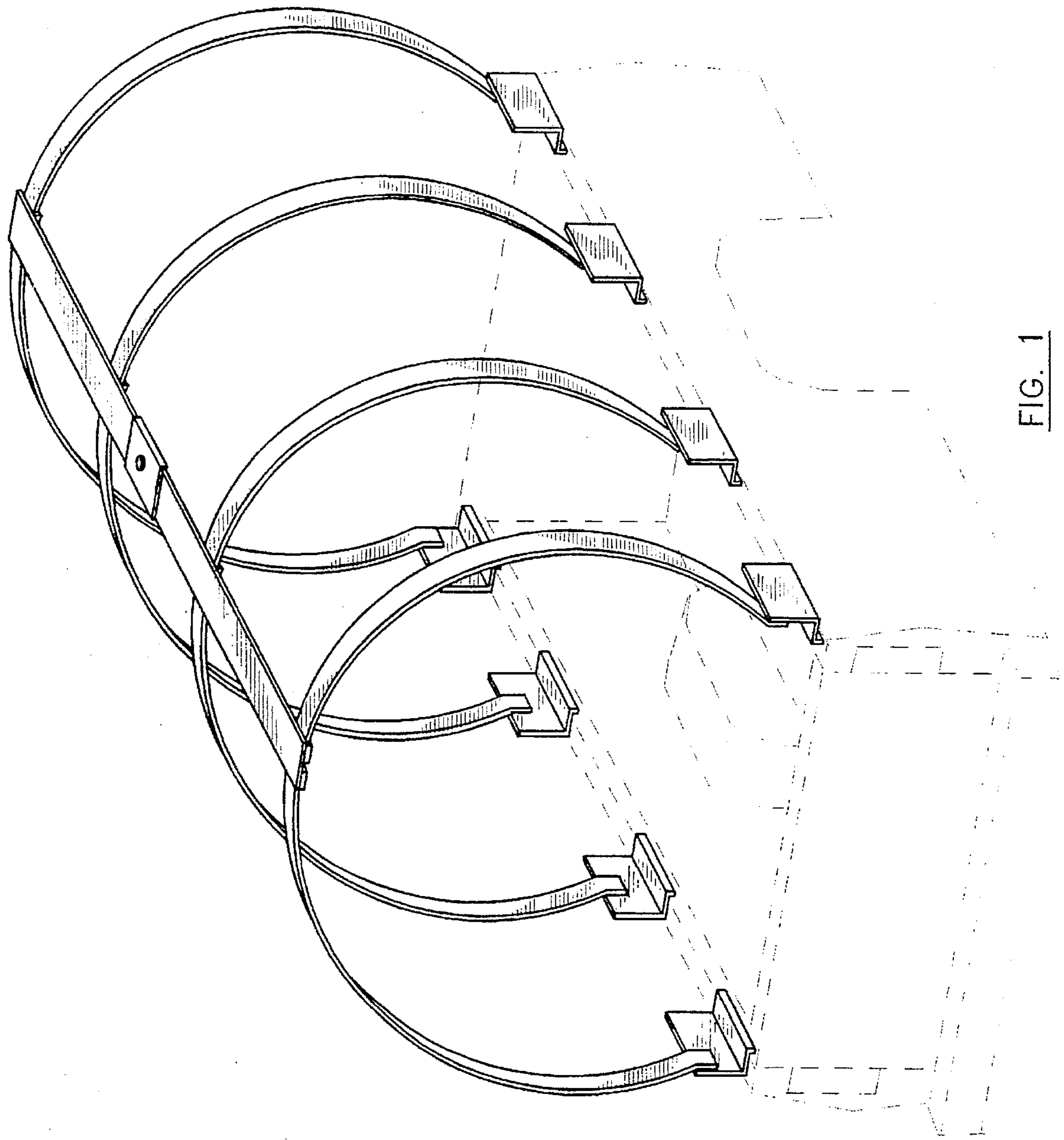


FIG. 1

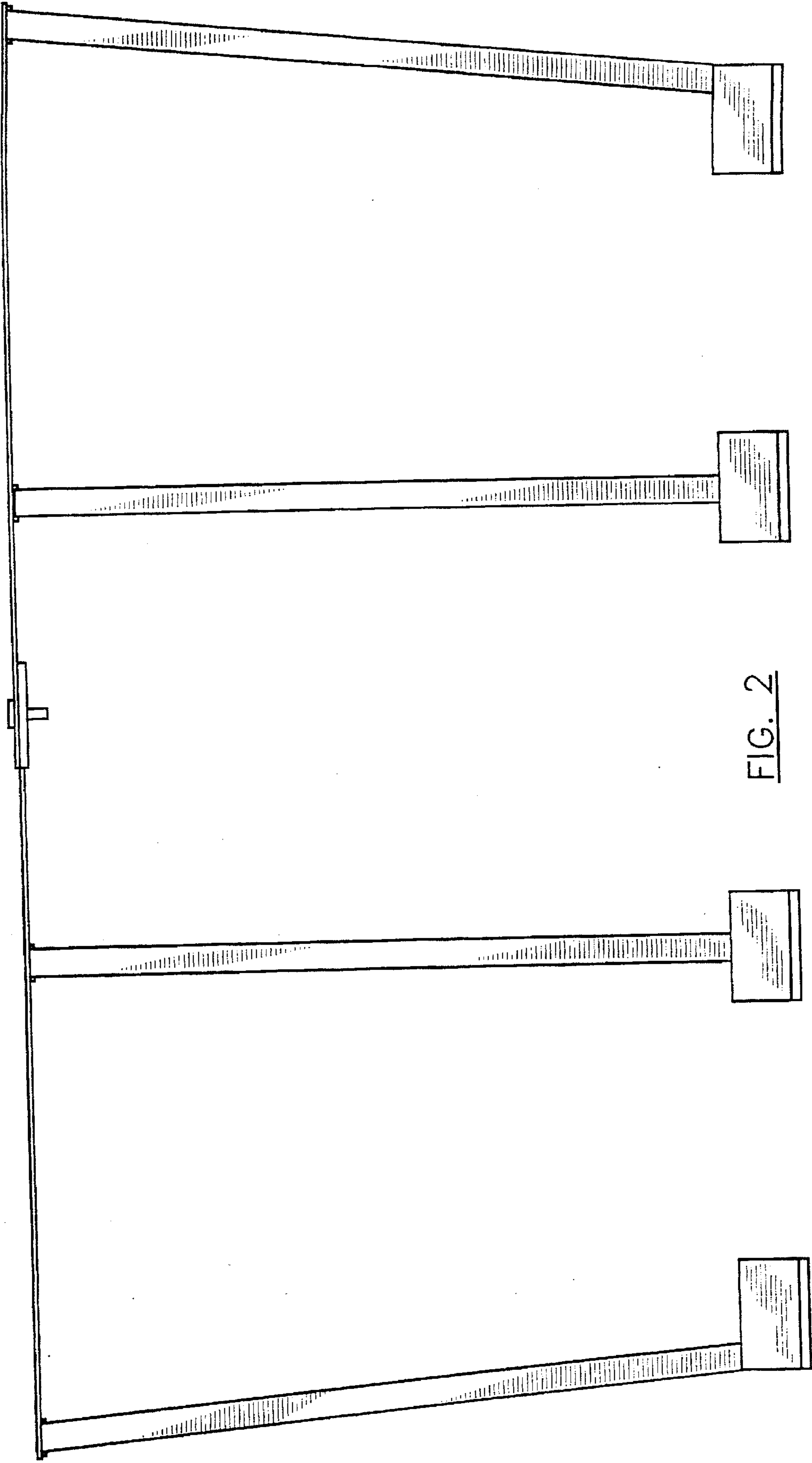


FIG. 2

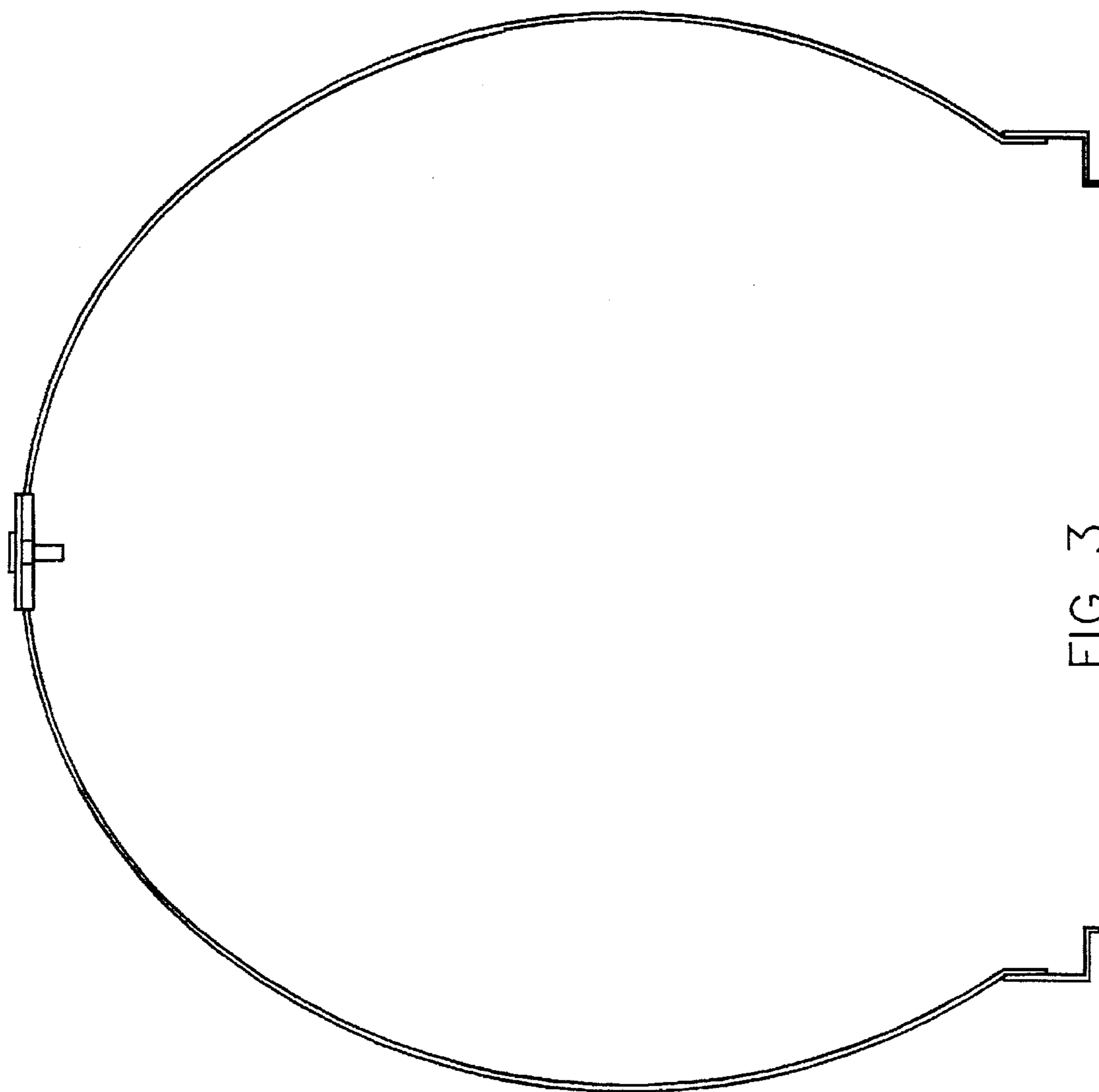


FIG. 3

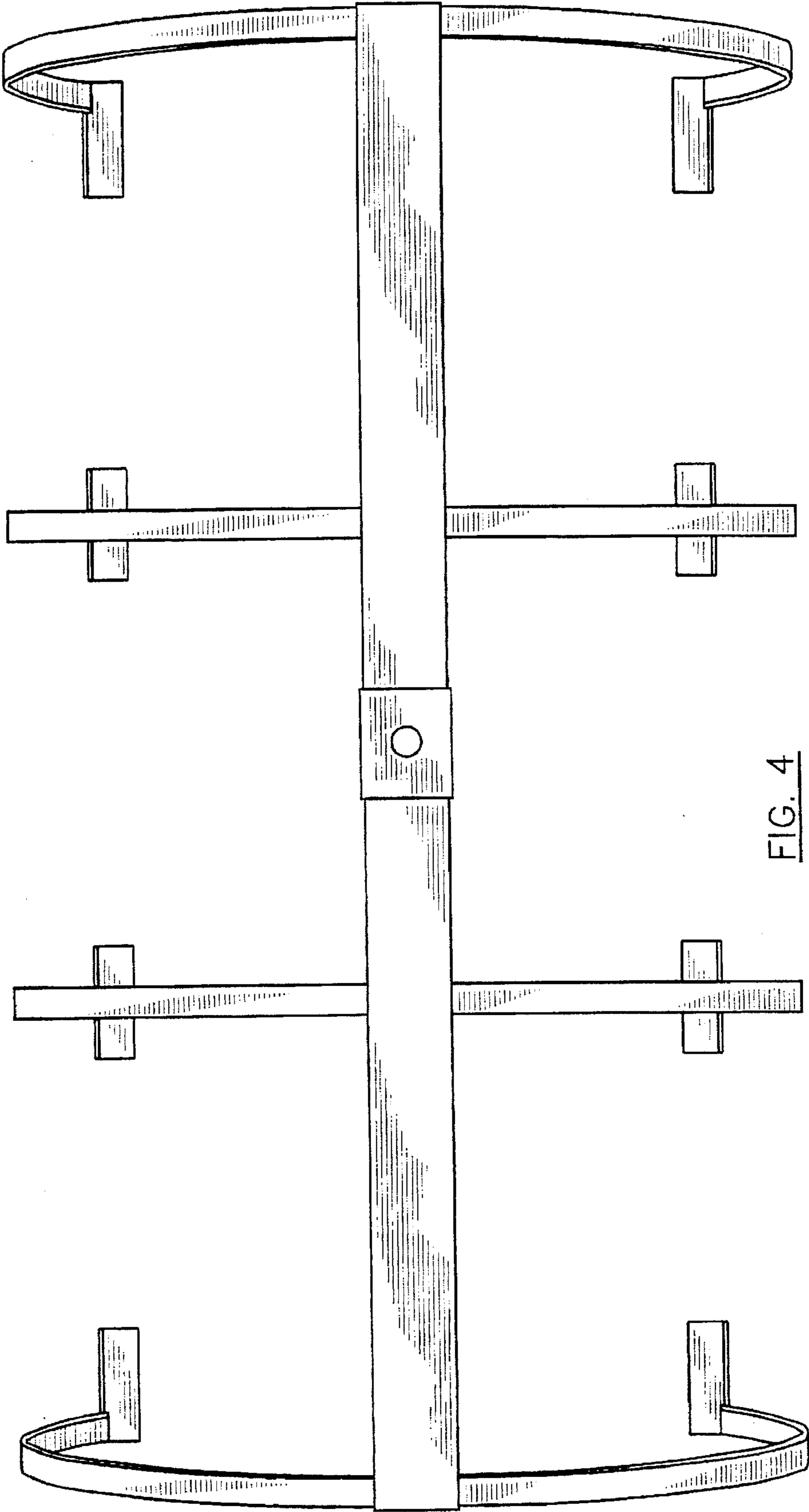


FIG. 4

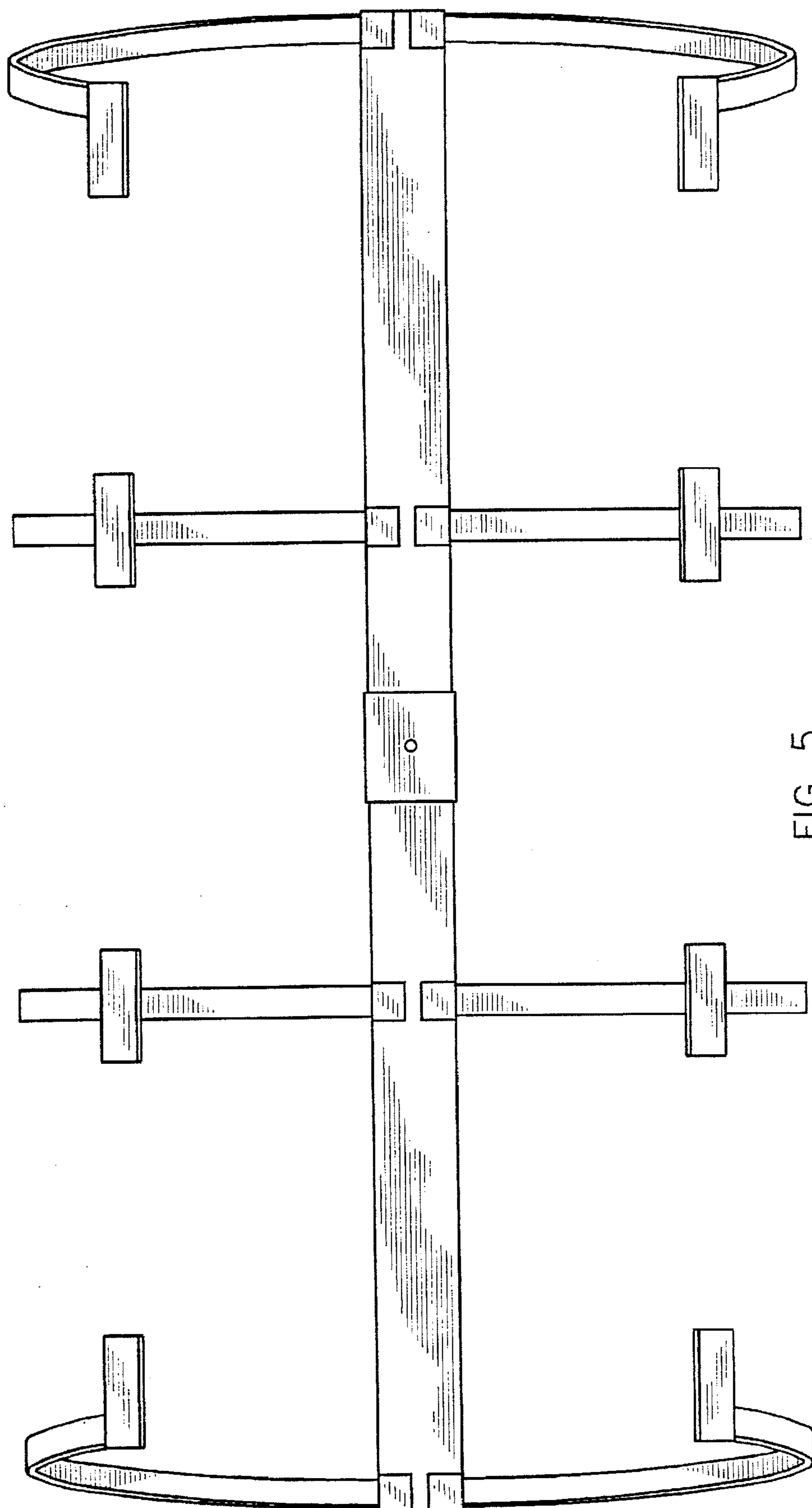


FIG. 5